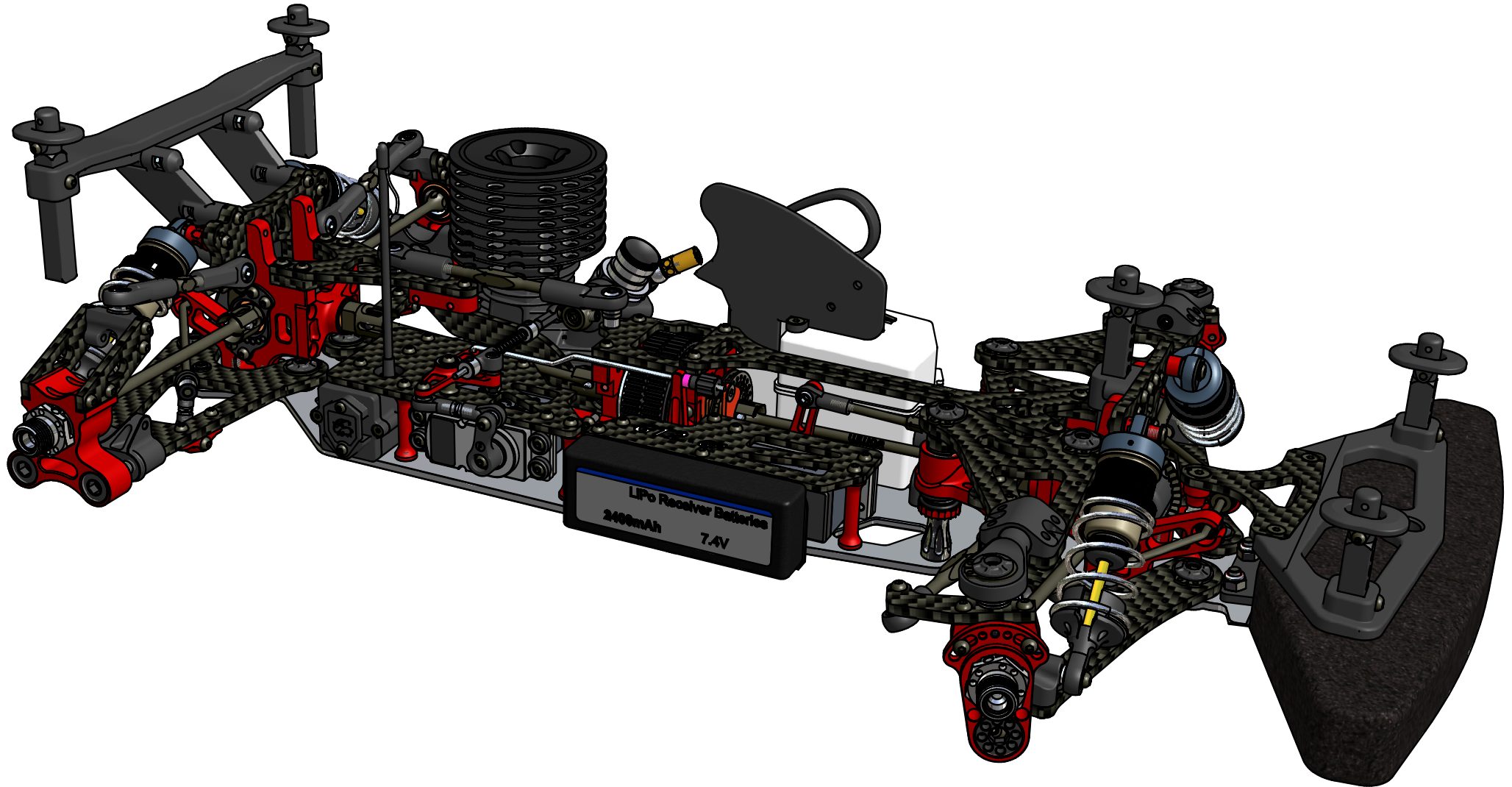




# ***EVO*** ***2024***



**LabGT2 EVO EP-GP Instruction Manual rel. 1.4 ( 02/24 )**

- Symbols -

*Capricorn RC*

**L/R**

Symmetrical  
Mounting

**2x**

Assemble as many  
times as specified

1 2  
3 4

Assemble in the  
specified order

Note:  
TEXT....

Be Careful

## WARNING

This radio control model is not toy.

First time builders should seek the advice of experienced modellers before beginning assembly and/or if they do not fully understand any part of the construction. We highly advise to read the instruction manual before assembly, and to always keep it at hand for reference. Take care before operating this model; you are responsible for its assembly and safe operation. The extreme performance of this model could be underestimated by inexperienced drivers and could damage objects and/or people. Assemble this kit only in places out of children's reach!

CAPRICORN RC is not responsible for any damage or harm caused by improper use or assembly.

CAPRICORN RC and its distribution network are not responsible for any damage caused by shipping or handling.

Eventual parts missing from the kit or flawed must be reported within two weeks of purchase to your local hobby shop or distributor. For best performance, we highly advise to only use original authentic CAPRICORN RC parts.

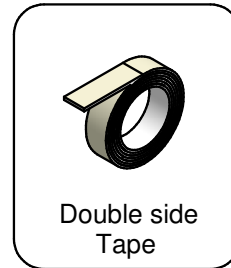
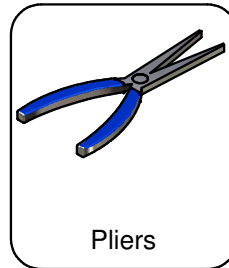
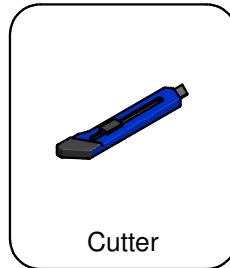
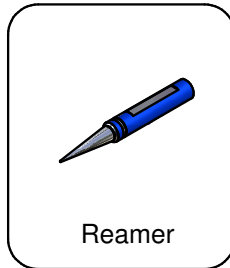
For customer support and service please contact your local hobby shop or agent from whom you purchased this item.

Contents of box may slightly differ from the pictures shown. Construction tools, body, fuel, radio system and servo, engine, muffler and battery pack are NOT INCLUDED unless otherwise stated.

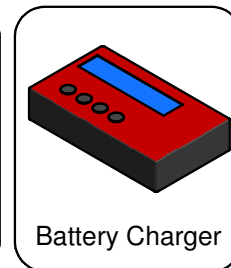
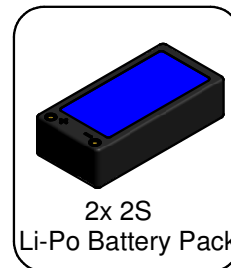
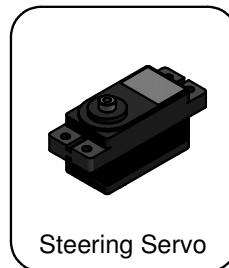
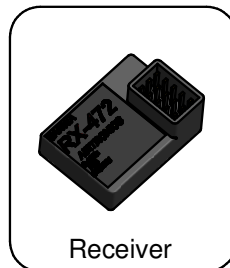
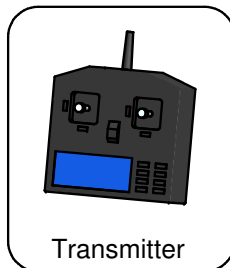
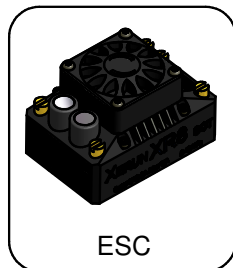
Made in Italy



## *Tools needed for assembly (NOT INCLUDED)*



## *Parts for model completion and Start (NOT INCLUDED)*



Also required: Tires - Polycarbonat body

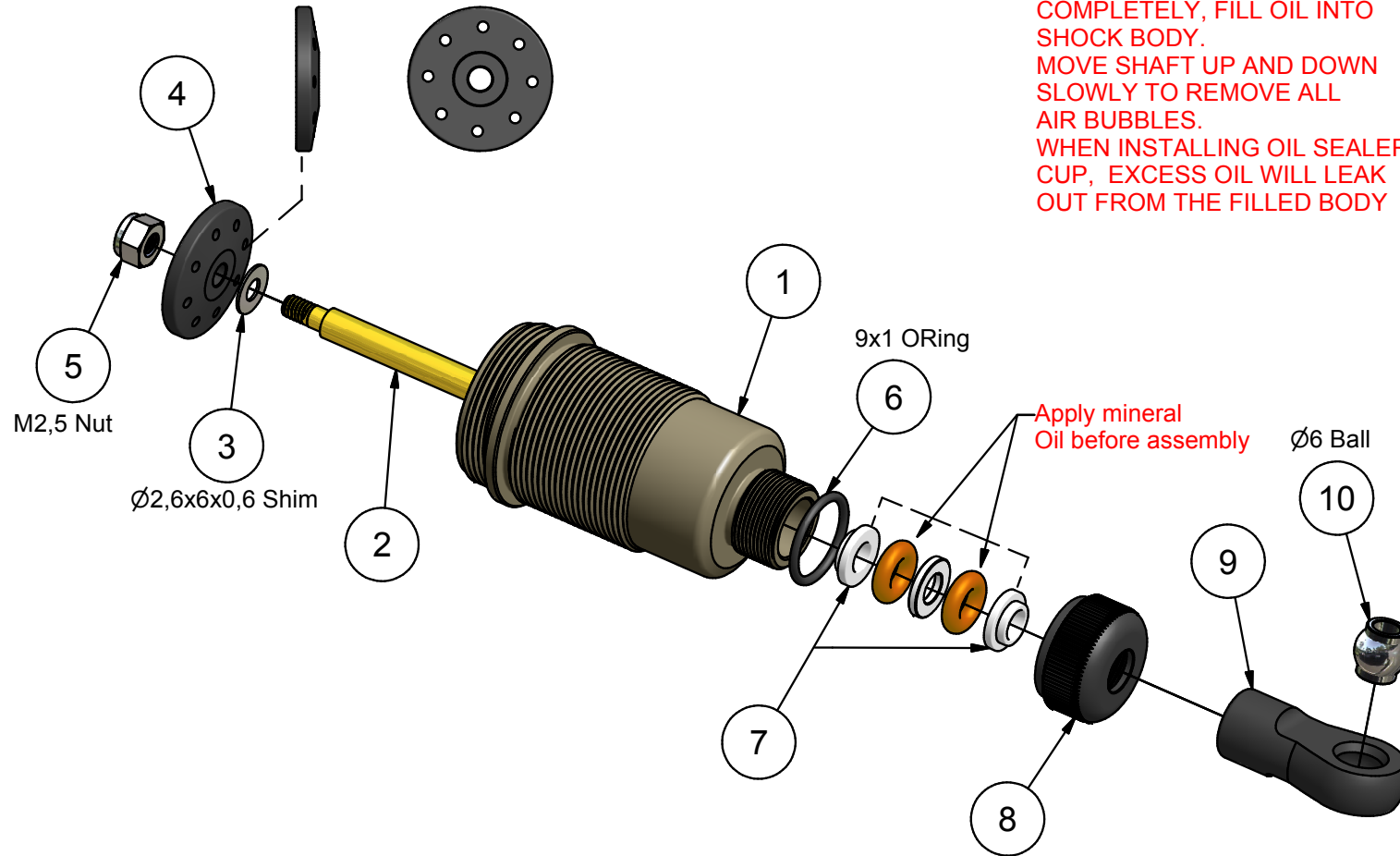
# Step 1.0

## - Shock Damper - BAG 1

Capricorn RC

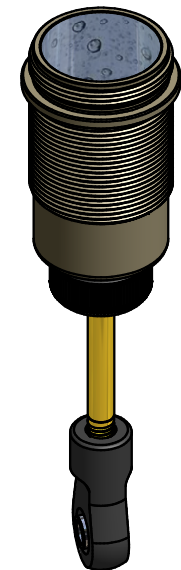
4x

Note:  
 EXTEND THE SHOCK SHAFT COMPLETELY, FILL OIL INTO SHOCK BODY.  
 MOVE SHAFT UP AND DOWN SLOWLY TO REMOVE ALL AIR BUBBLES.  
 WHEN INSTALLING OIL SEALER CUP, EXCESS OIL WILL LEAK OUT FROM THE FILLED BODY

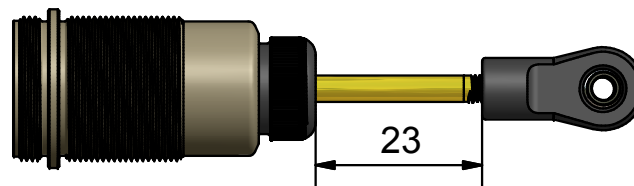


Parts List		
Rif.	n°	Code
1	1	Cap 3127
2	1	Cap 3134
3	1	Cap 3143
4	1	Cap 3133
5	1	Cap17039
6	1	Cap 3140
7	1	Cap 3138-K
8	1	Cap 3128
9	1	Cap 3141-K
10	1	Cap 3141-K

Silicone Oil # 1.000cst



Front / Rear



Made in Italy



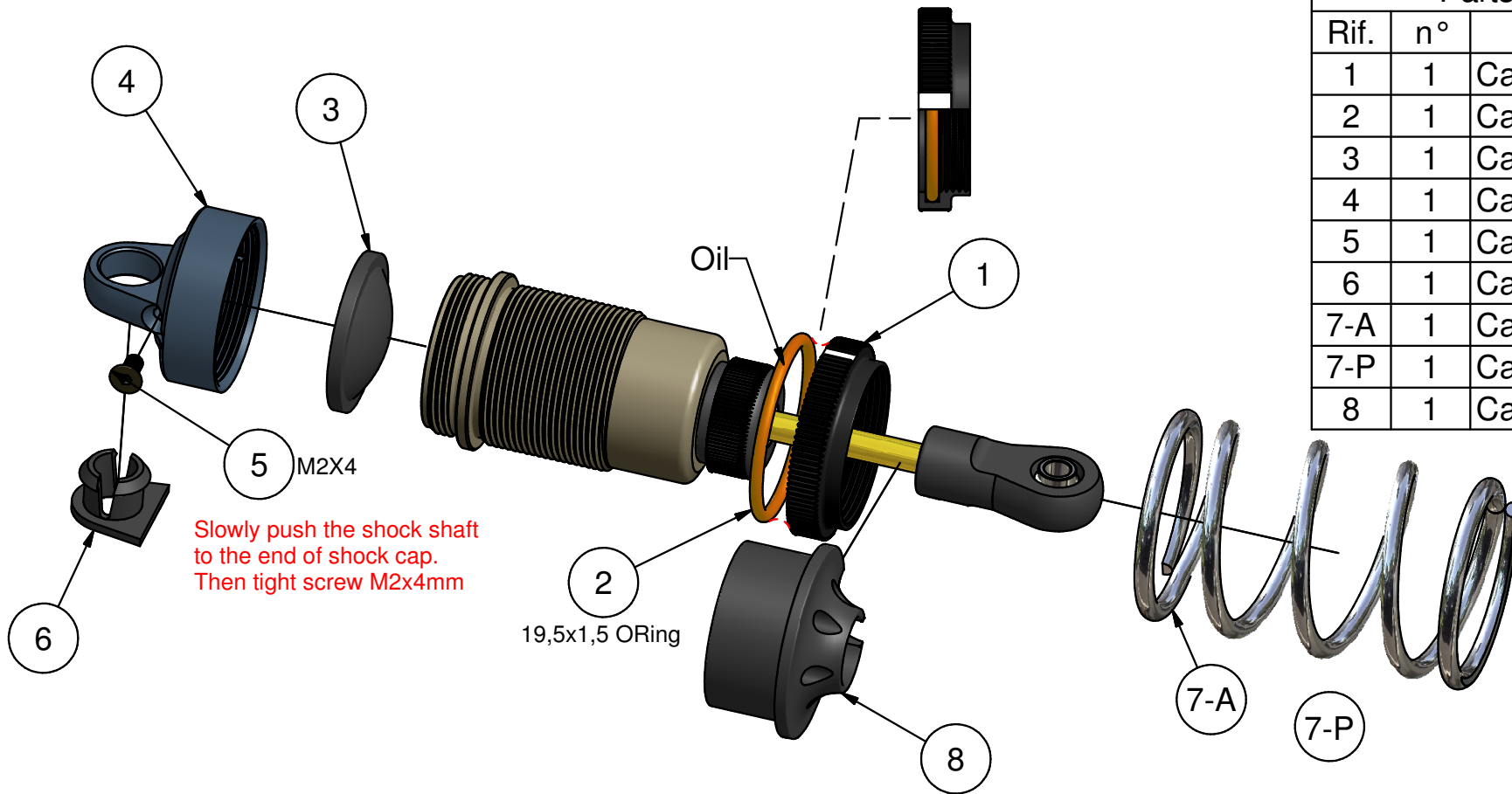
# Step 1.1

## - Shock Damper - BAG 1

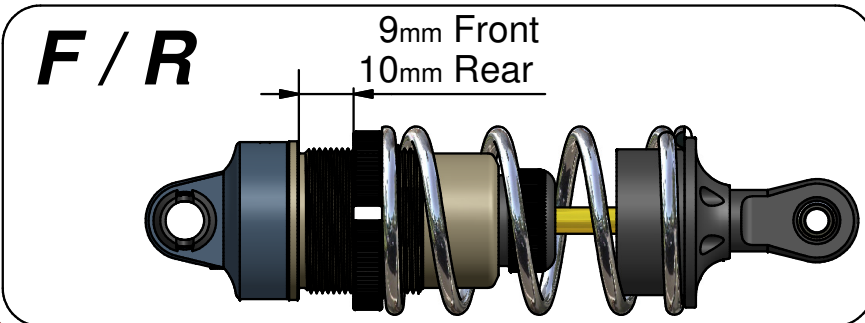
Capricorn RC

4x

Parts List		
Rif.	n°	Code
1	1	Cap 3129-K
2	1	Cap 3129-K
3	1	Cap 3132
4	1	Cap 3131-K
5	1	Cap 3131-K
6	1	Cap 3131-K
7-A	1	Cap 3144-5,0
7-P	1	Cap 3144-4,75
8	1	Cap 3135



Slowly push the shock shaft to the end of shock cap. Then tight screw M2x4mm



### Spring chart:

- Silver Cap 3144-4,25
- Yellow Cap 3144-4,5
- Purple Cap 3144-4,75**
- Blue Cap 3144-5,0

HARD  
↑  
SOFT

Made in Italy

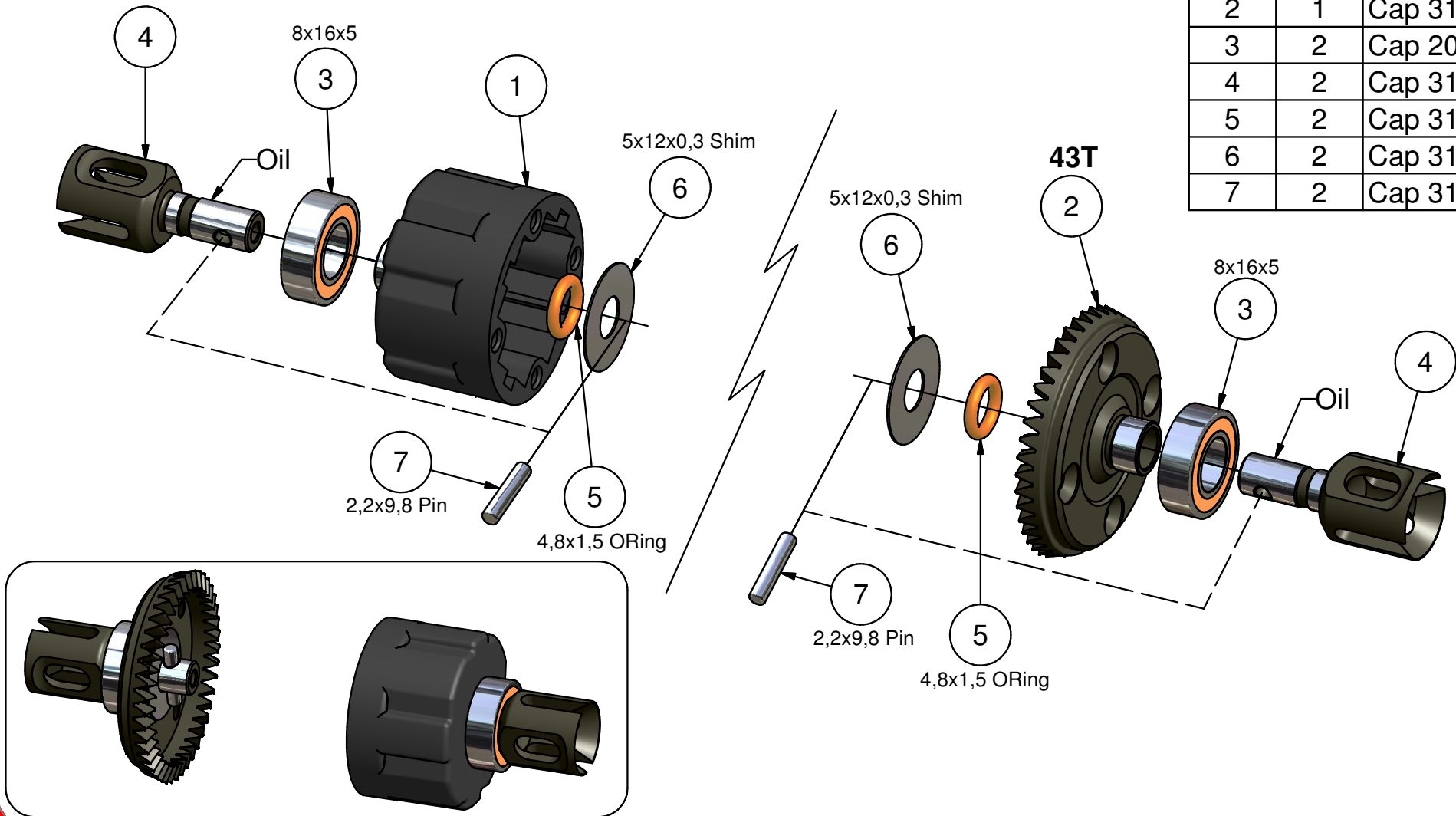


# Step 2.0 - F/R Gear Differential - BAG 2


Capricorn RC

2x

Parts List		
Rif.	n°	Code
1	1	Cap 3115
2	1	Cap 3117
3	2	Cap 2017
4	2	Cap 3124
5	2	Cap 3160
6	2	Cap 3121
7	2	Cap 3125



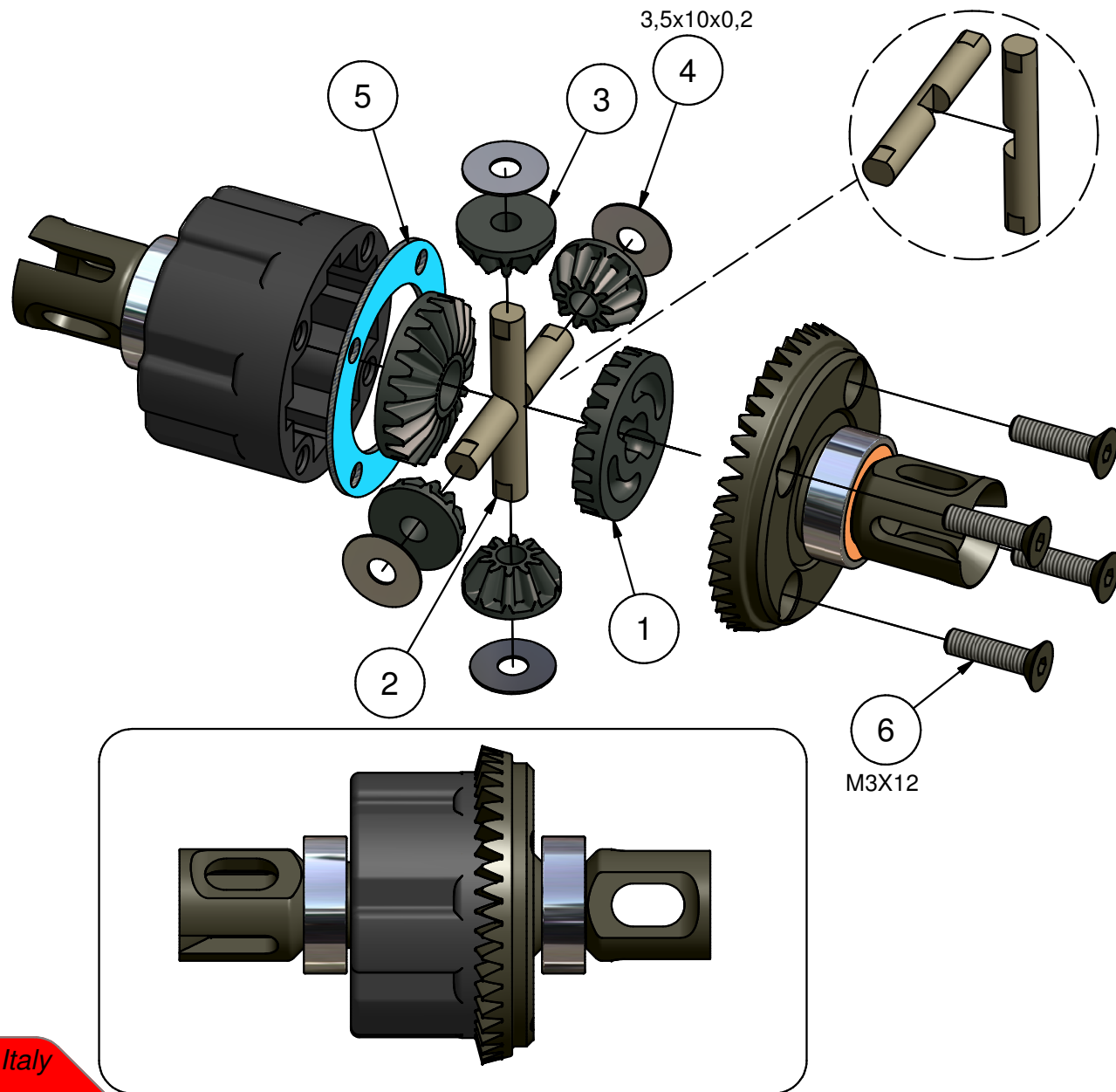
Made in Italy



**Step 2.1** - F/R Gear Differential -  
BAG 2

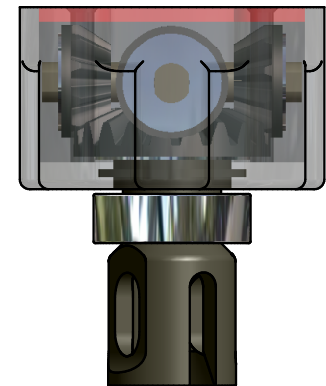
*Capricorn RC*

**2x**



Parts List		
Rif.	n°	Code
1	2	Cap 3118-K
2	2	Cap 3118-K
3	4	Cap 3118-K
4	4	Cap 3118-K
5	1	Cap 3116
6	4	Cap 2143

**Note:**  
Fill the differentials with oil up to 80% above the satellite gears.



**GT2 -EP Silicone Oil**  
Front # 500.000cst  
Rear # 30.000cst

**GT2 -GP Silicone Oil**  
Front # 1.000.000cst  
Rear # 30.000cst

6  
M3X12

Made in Italy

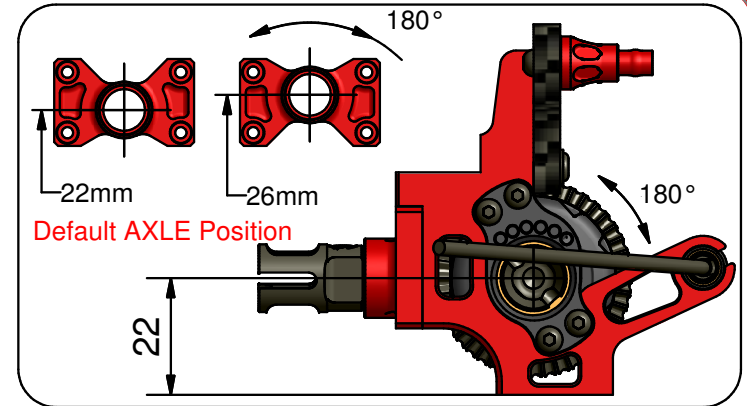
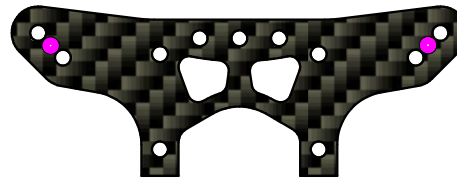


# Step 3.0

## - Front Differential Hub - BAG 3

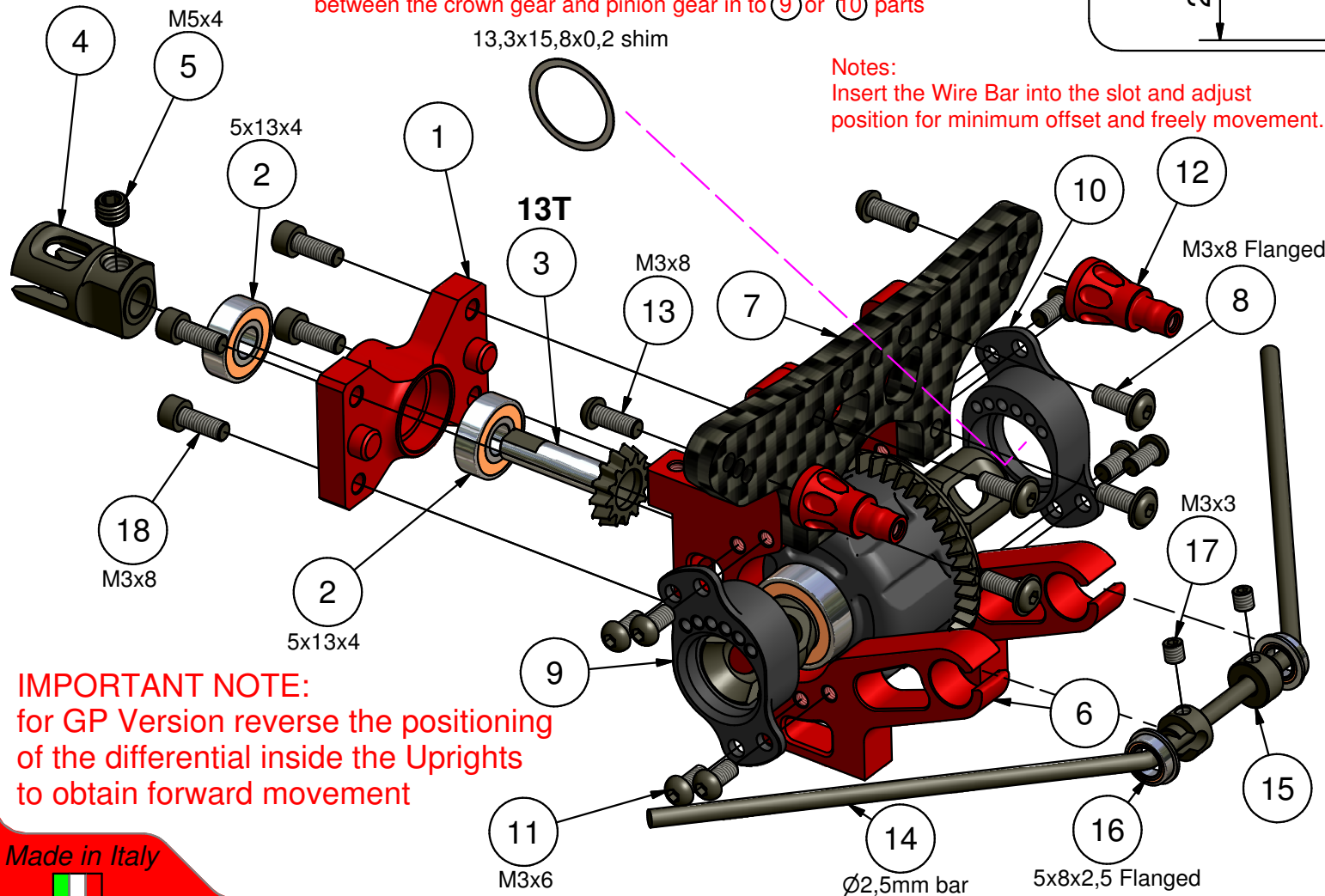
Capricorn RC

DEFAULT SHOCK POSITION



Notes:  
If necessary use shim only to adjust the play between the crown gear and pinion gear in to 9 or 10 parts

Notes:  
Insert the Wire Bar into the slot and adjust position for minimum offset and freely movement.



**IMPORTANT NOTE:**  
for GP Version reverse the positioning of the differential inside the Uprights to obtain forward movement

Parts List		
Rif.	n°	Code
1	1	Cap 3007
2	2	Cap 2001
3	1	Cap 3113
4	1	Cap 3111
5	1	Cap 3112
6	2	Cap 3006
7	1	Cap 3064
8	4	Cap17034
9	1	Cap 3046
10	1	Cap 3045
11	8	Cap17030
12	2	Cap 3023
13	2	Cap17032
14	1	Cap 3048-2,5
15	2	Cap 2031
16	2	Cap18082
17	2	Cap17006
18	4	Cap40229

Made in Italy



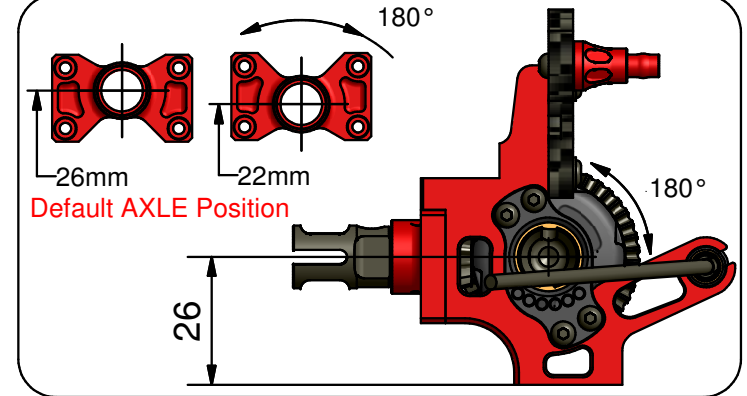


# Step 3.1

## - Rear Differential Hub - BAG 3

Capricorn RC

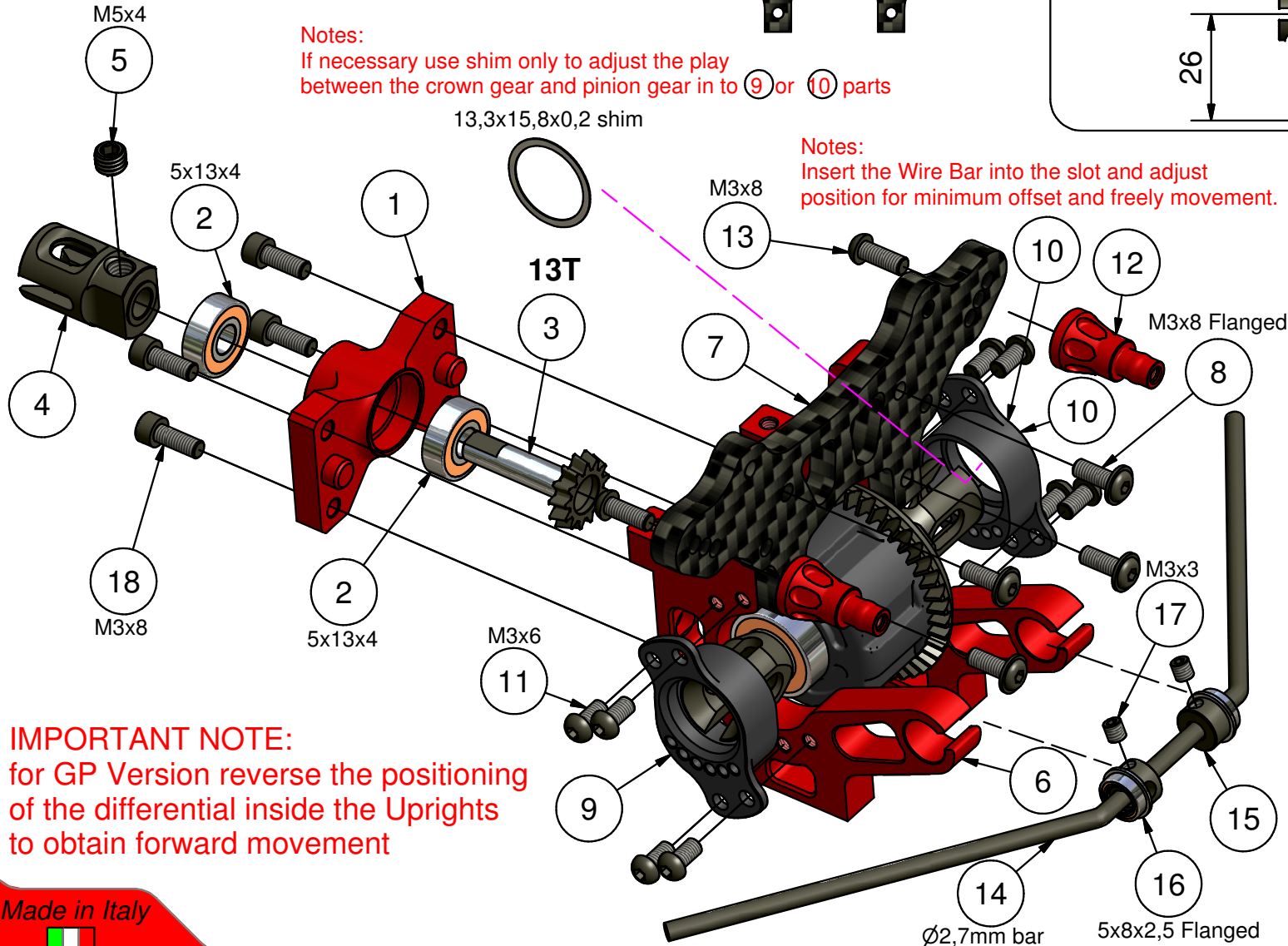
DEFAULT SHOCK POSITION



Notes:  
If necessary use shim only to adjust the play between the crown gear and pinion gear in to 9 or 10 parts

13,3x15,8x0,2 shim

Notes:  
Insert the Wire Bar into the slot and adjust position for minimum offset and freely movement.



**IMPORTANT NOTE:**  
for GP Version reverse the positioning of the differential inside the Uprights to obtain forward movement

### Parts List

Rif.	n°	Code
1	1	Cap 3007
2	2	Cap 2001
3	1	Cap 3113
4	1	Cap 3111
5	1	Cap 3112
6	2	Cap 3006
7	1	Cap 3065
8	4	Cap17034
9	1	Cap 3046
10	1	Cap 3045
11	8	Cap17030
12	2	Cap 3023
13	2	Cap17032
14	1	Cap 3049-2,7
15	2	Cap 2031
16	2	Cap18082
17	2	Cap17006
18	4	Cap40229

Made in Italy



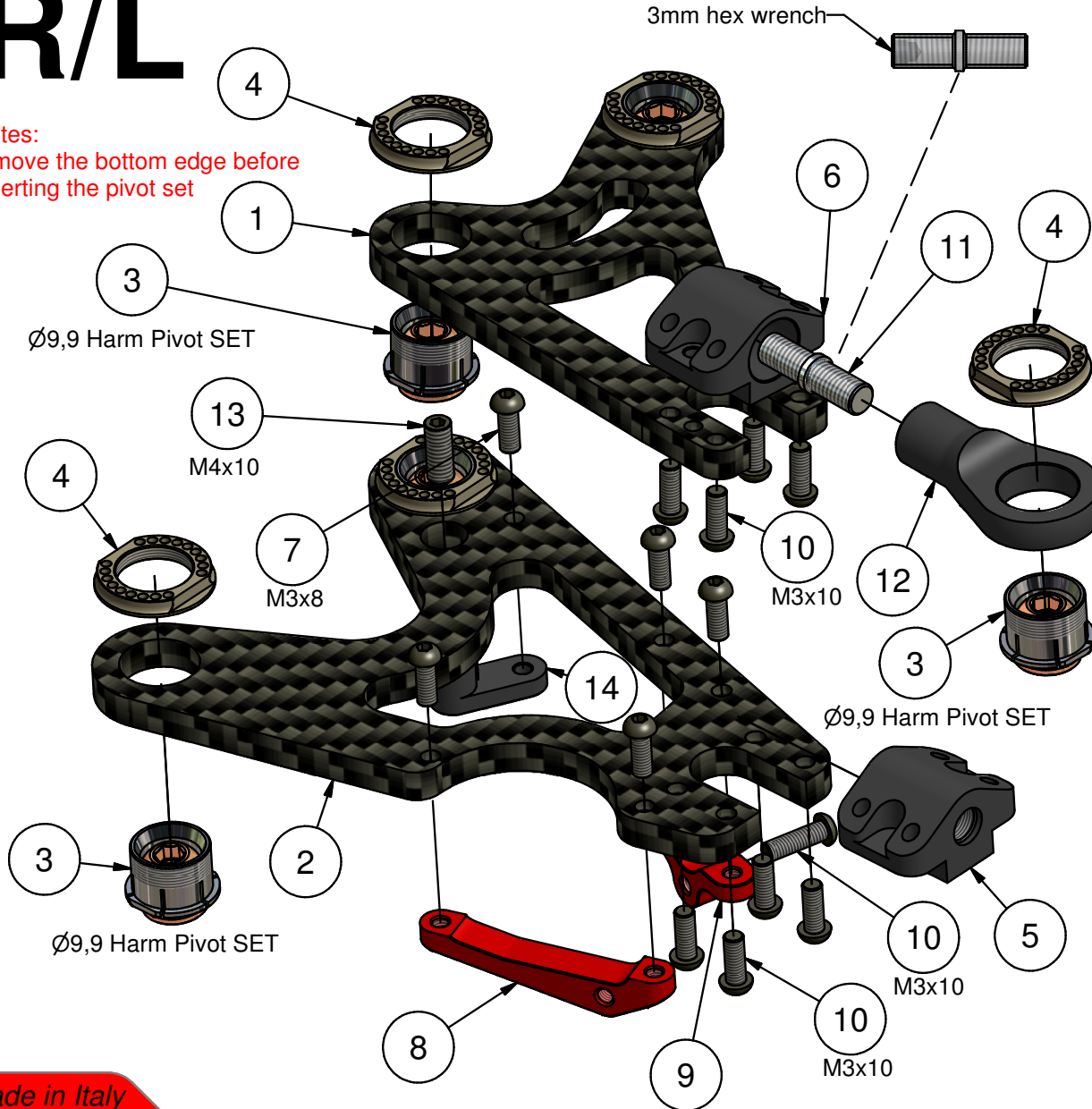
# Step 4.0 - Front Carbon Harms -

Capricorn RC

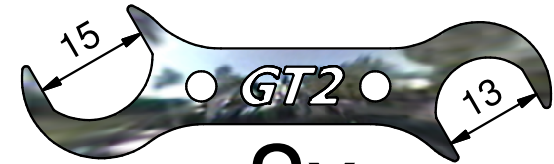
BAG 4

R/L

Notes:  
remove the bottom edge before  
inserting the pivot set



Special tool for Harm pivot assembly

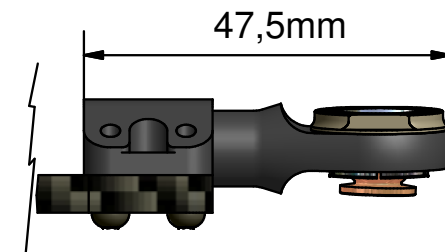


2x

### Parts List

Rif.	n°	Code
1	1	Cap 3051
2	1	Cap 3050
3	5	Cap 3011-K
4	5	Cap 3012
5	1	Cap 3029
6	1	Cap 3070
7	5	Cap17032
8	1	Cap 3031
9	1	Cap 3032
10	9	Cap17023
11	1	Cap 3042
12	1	Cap 3068
13	1	Cap 2018
14	1	Cap 3030

With 3mm hex wrench  
turn for more or less camber



Made in Italy



# Step 4.1 - Rear Carbon Harms - BAG 4

Capricorn RC

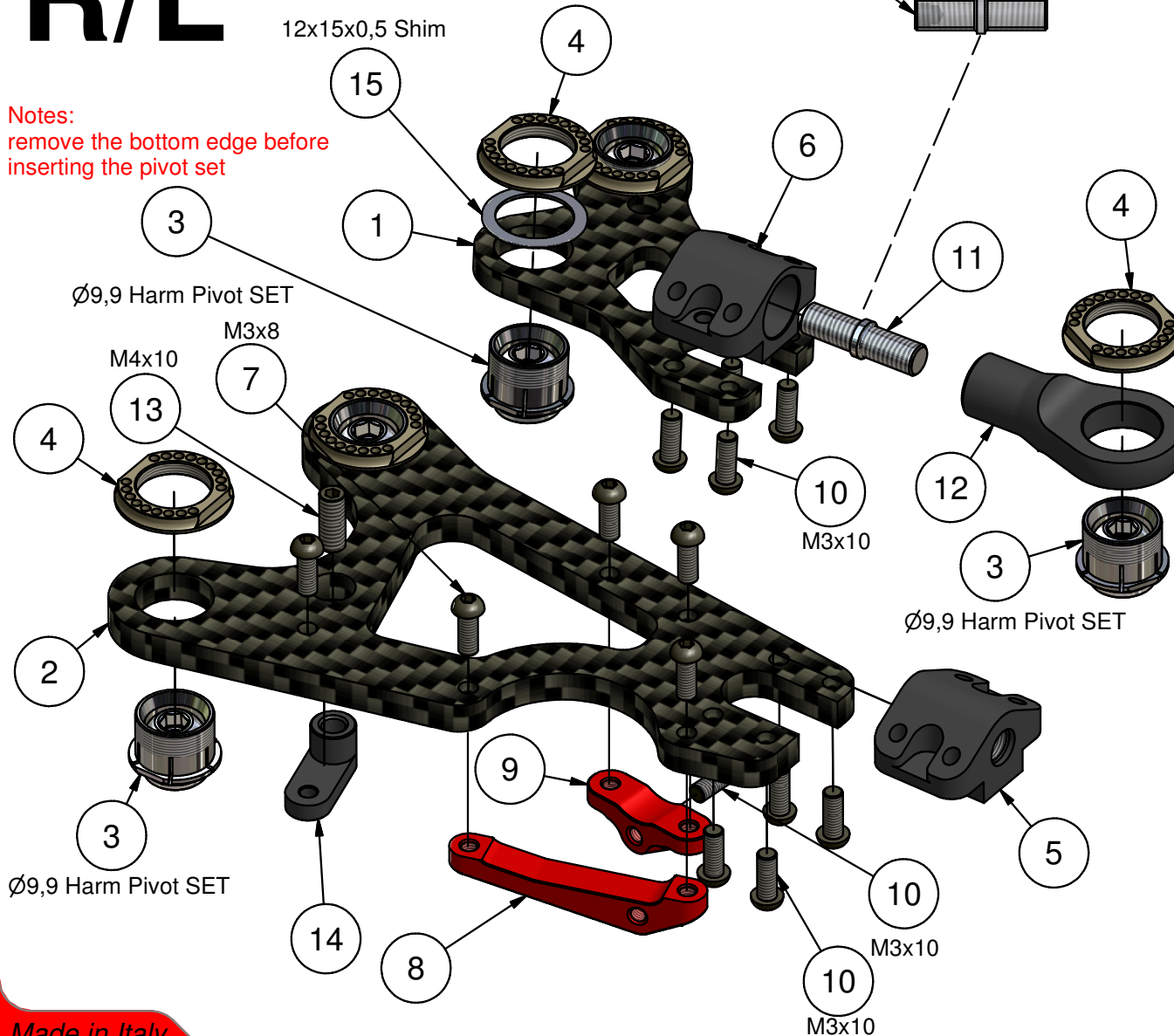
Special tool for Harm pivot assembly



# R/L

12x15x0,5 Shim

3mm hex wrench



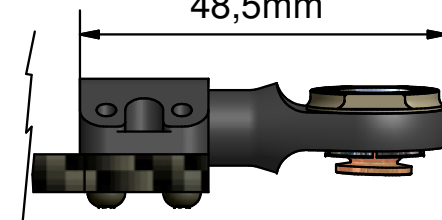
Notes:  
remove the bottom edge before  
inserting the pivot set

## Parts List

Rif.	n°	Code
1	1	Cap 3053
2	1	Cap 3052
3	5	Cap 3011-K
4	5	Cap 3012
5	1	Cap 3029
6	1	Cap 3070
7	5	Cap17032
8	1	Cap 3031
9	1	Cap 3032
10	9	Cap17023
11	1	Cap 3042
12	1	Cap 3068
13	1	Cap 2018
14	1	Cap 3030
15	2	Cap 2126-0,5

With 3mm hex wrench  
turn for more or less camber

48,5mm



Made in Italy

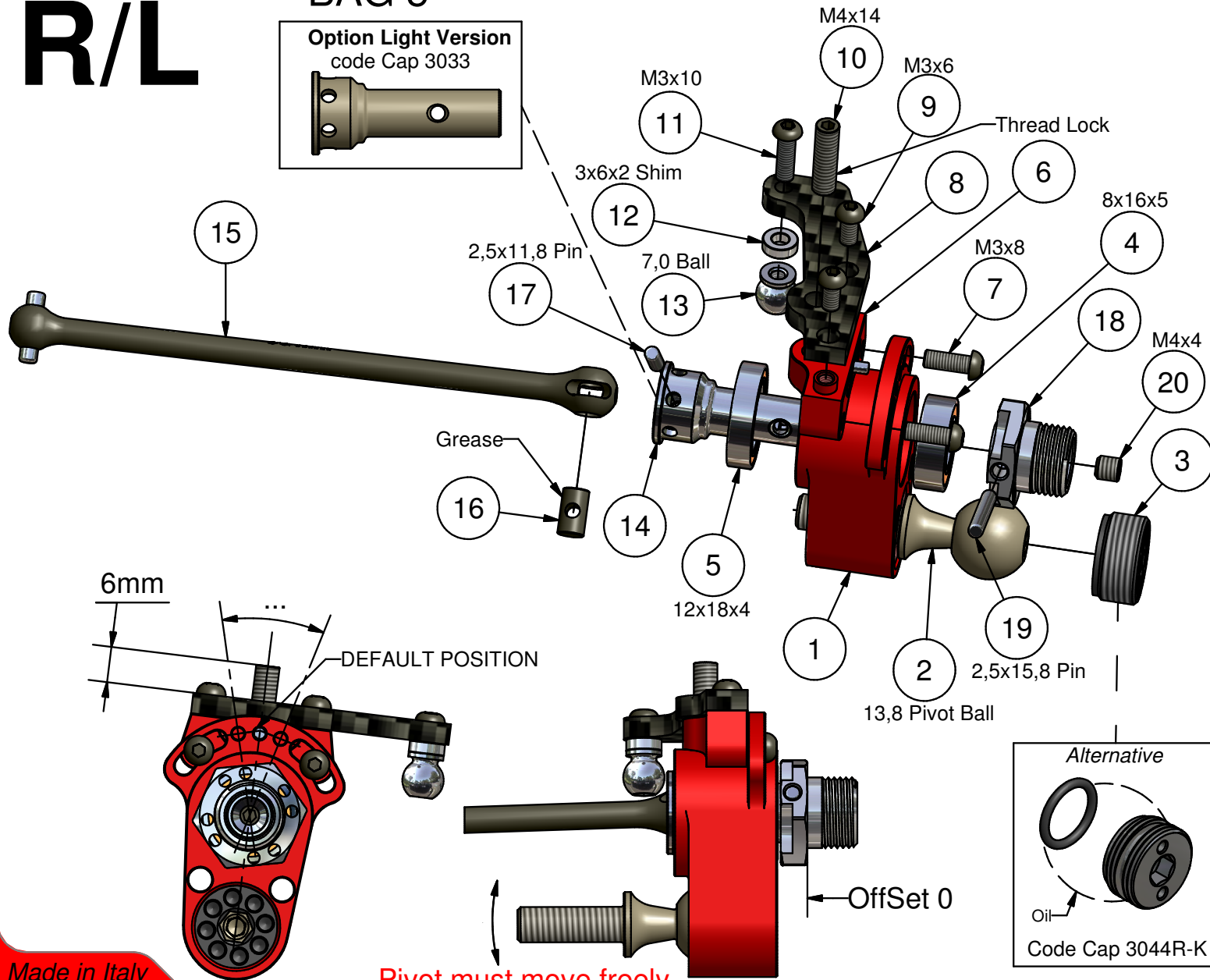
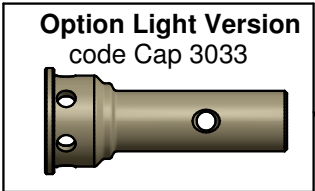


# Step 5.0 - Front Steering HUB - BAG 5

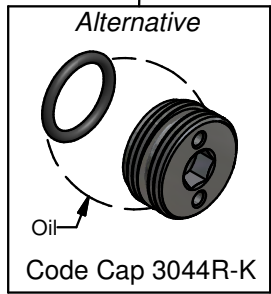
Capricorn RC

2x

R/L



Parts List		
Rif.	n°	Code
1	1	Cap 3018
2	1	Cap 3026
3	1	Cap 3044
4	1	Cap 2017
5	1	Cap 2012
6	1	Cap 3020
7	2	Cap17032
8	1	Cap 3063
9	2	Cap17030
10	1	Cap 3084
11	1	Cap17023
12	1	Cap22015
13	1	Cap 2237
14	1	Cap 3081
15	1	Cap 3013
16	1	Cap 2007
17	1	Cap 2134
18	1	Cap 3028
19	1	Cap 3082
20	1	Cap17010



Made in Italy

Pivot must move freely

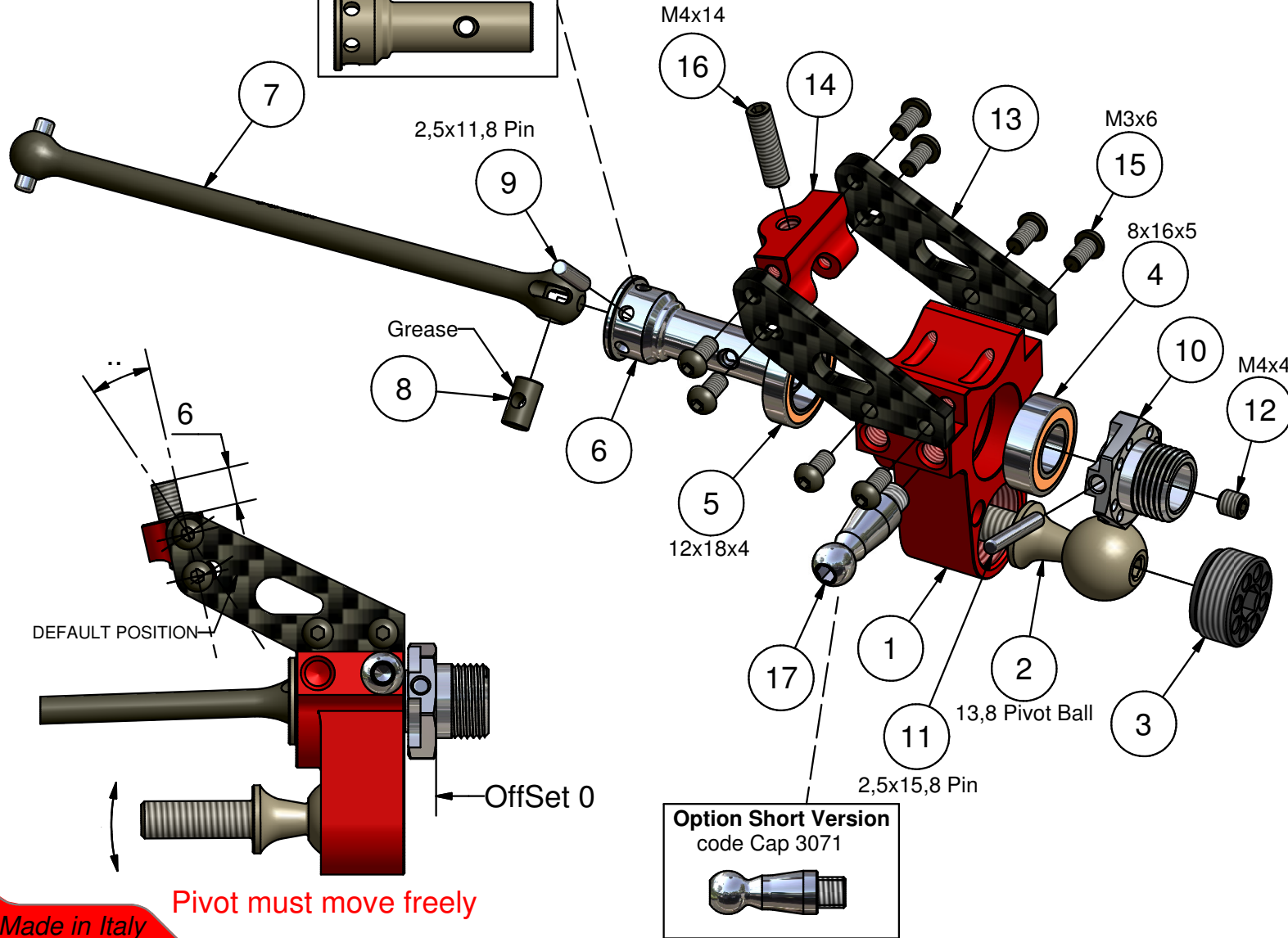
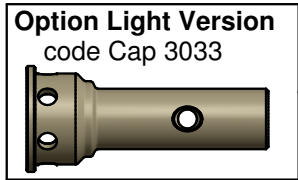
# Step 5.1

## - Rear ATS HUB - BAG 5

Capricorn RC

2x

R/L



Parts List		
Rif.	n°	Code
1	1	Cap 3019
2	1	Cap 3026
3	1	Cap 3044
4	1	Cap 2017
5	1	Cap 2012
6	1	Cap 3081
7	1	Cap 3013
8	1	Cap 2007
9	1	Cap 2134
10	1	Cap 3028
11	1	Cap 3082
12	1	Cap17010
13	2	Cap 3061
14	1	Cap 3021
15	8	Cap17030
16	1	Cap 3084
17	1	Cap 3024

Made in Italy



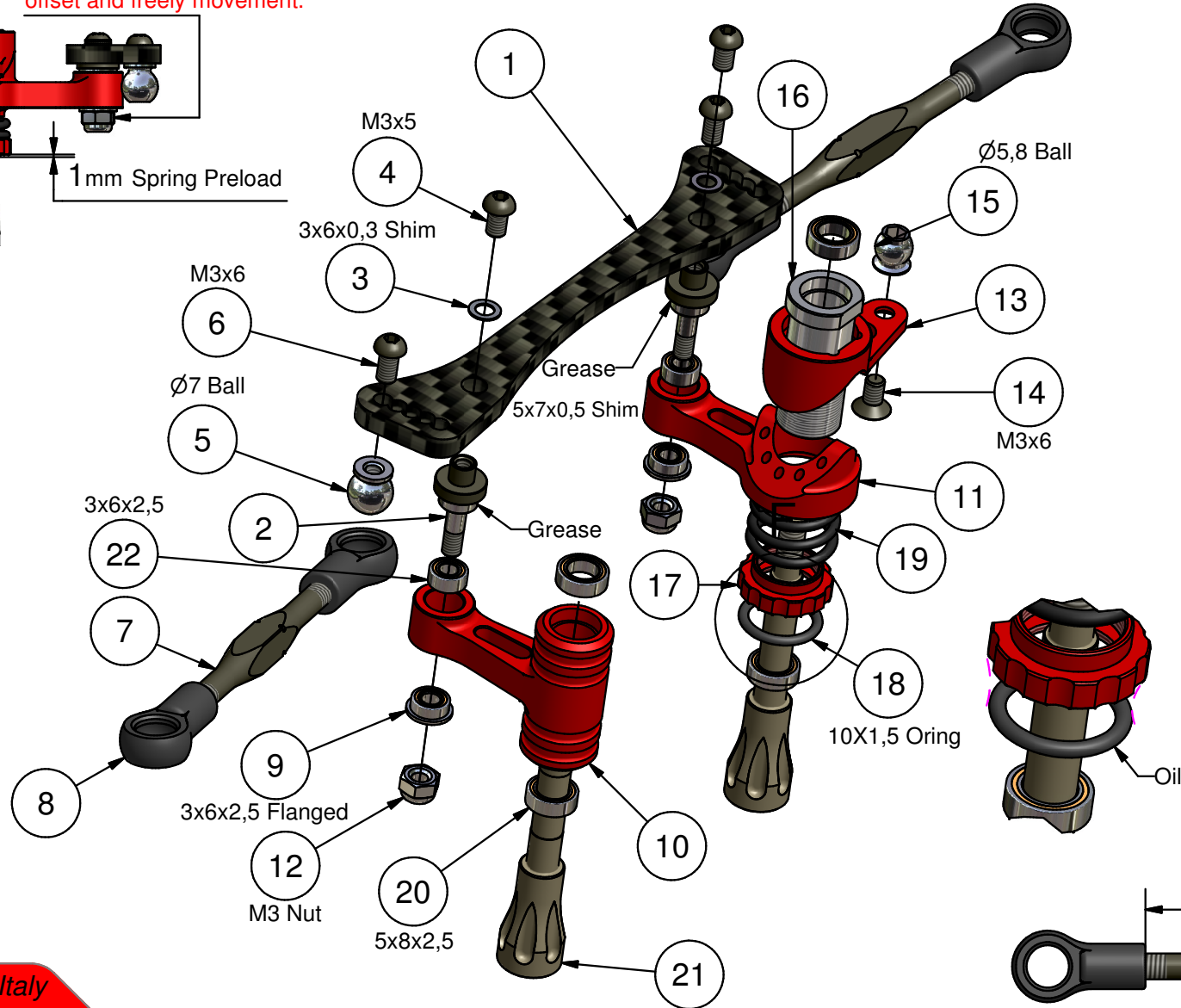
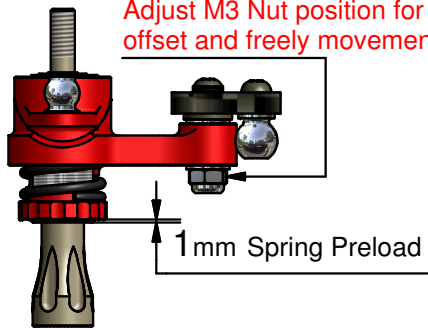
# Step 6.0

## - Steering System - BAG 6

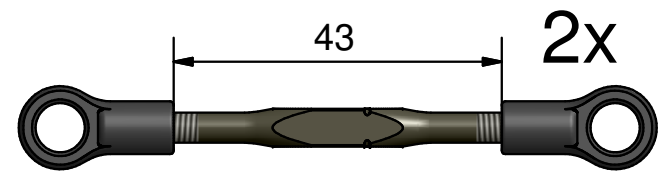
Capricorn RC

**Notes:**

Adjust M3 Nut position for minimum offset and freely movement.



Parts List		
Rif.	n°	Code
1	1	Cap 3054
2	2	Cap 3067
3	2	Cap22023
4	2	Cap 2235
5	2	Cap 2237
6	2	Cap17030
7	2	Cap 3043
8	4	Cap 2361
9	2	Cap 2013
10	1	Cap 3035
11	1	Cap 3037
12	2	Cap17040
13	1	Cap 2435
14	1	Cap17029
15	1	Cap18169
16	1	Cap16014
17	1	Cap16028
18	1	Cap171015
19	1	Cap16033
20	4	Cap16019
21	2	Cap 3034-S
22	2	Cap29209



Made in Italy



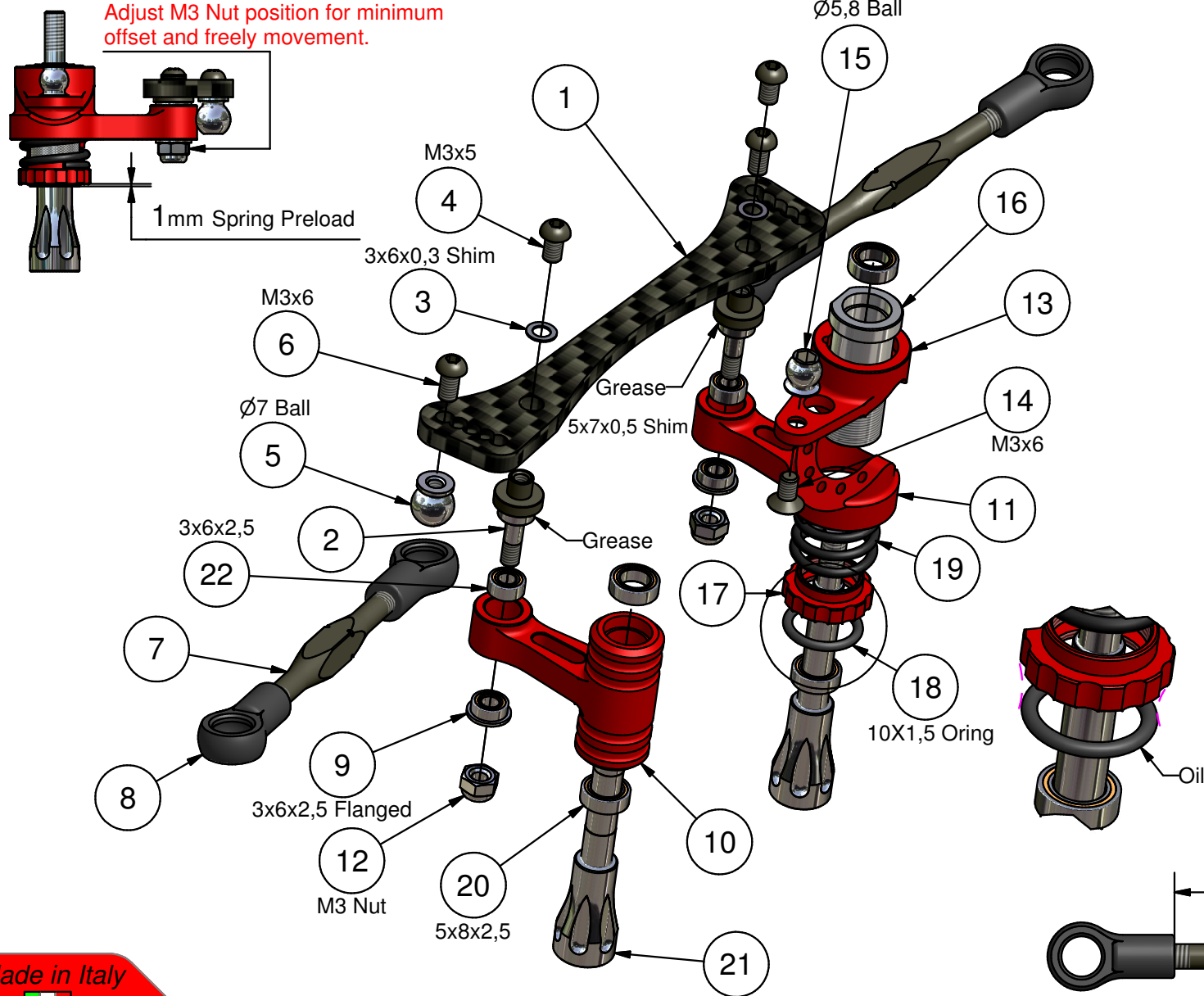
Step 6.0 GP

- Steering System -  
BAG 6 GP

Capricorn RC

Notes:

Adjust M3 Nut position for minimum offset and freely movement.



Parts List		
Rif.	n°	Code
1	1	Cap 3054
2	2	Cap 3067
3	2	Cap22023
4	2	Cap 2235
5	2	Cap 2237
6	2	Cap17030
7	2	Cap 3043
8	4	Cap 2361
9	2	Cap 2013
10	1	Cap 3035
11	1	Cap 3037
12	2	Cap17040
13	2	Cap 2435
14	2	Cap17029
15	2	Cap18169
16	2	Cap16014
17	1	Cap16028
18	1	Cap171015
19	1	Cap16033
20	4	Cap16019
21	2	Cap 3034
22	2	Cap29209

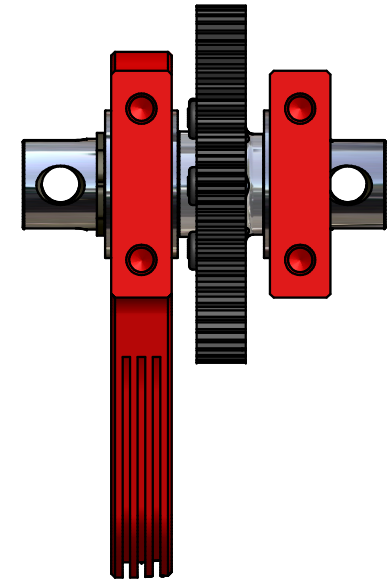
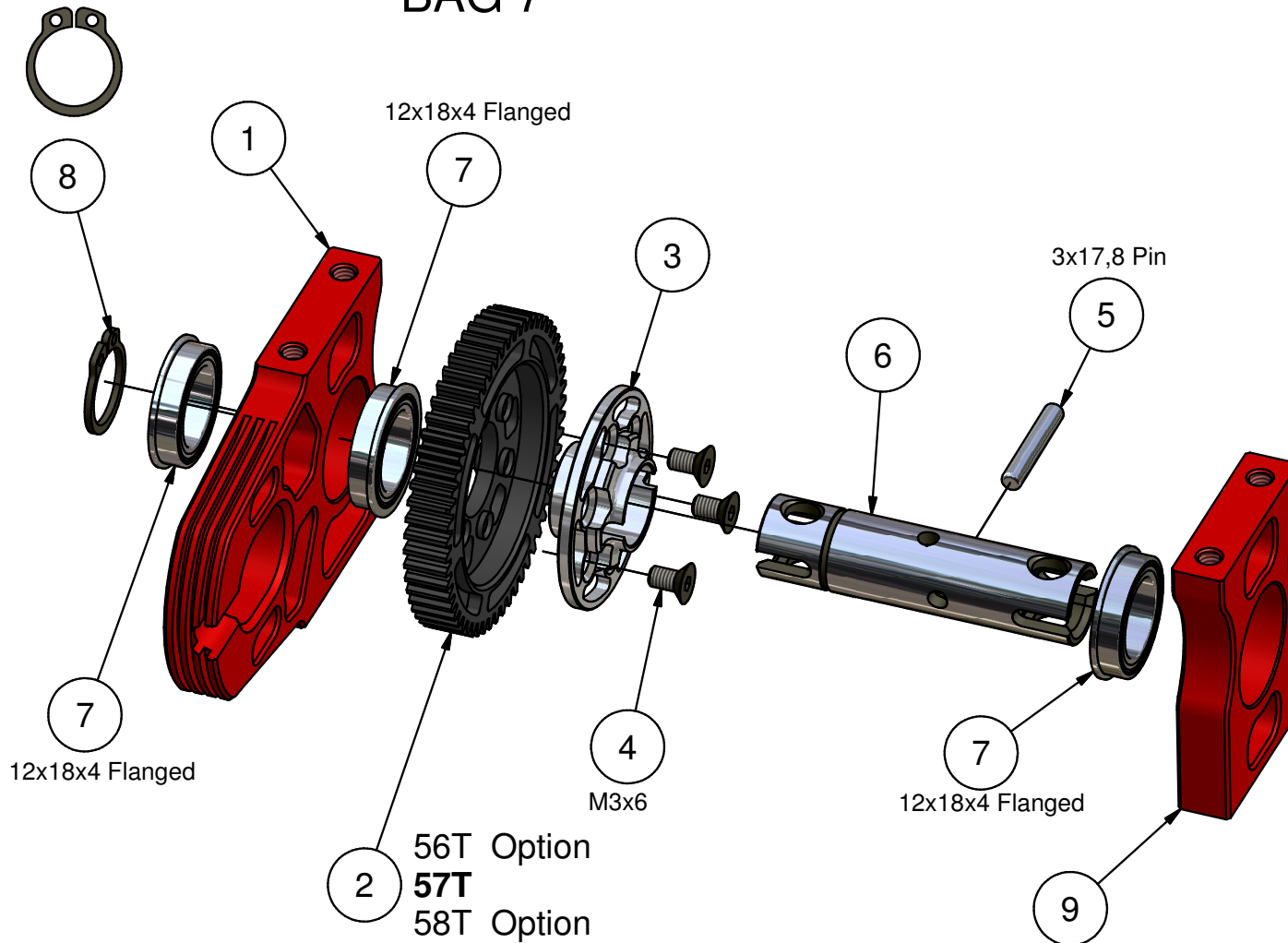
Made in Italy



# Step 7.0

## - Central Transmission - BAG 7

Capricorn RC



Parts List		
Rif.	n°	Code
1	1	Cap 3008
2	1	Cap 2051B-57
3	1	Cap 3017
4	3	Cap17029
5	1	Cap17102
6	1	Cap 3016
7	3	Cap35212
8	1	Cap 2129
9	1	Cap 3009

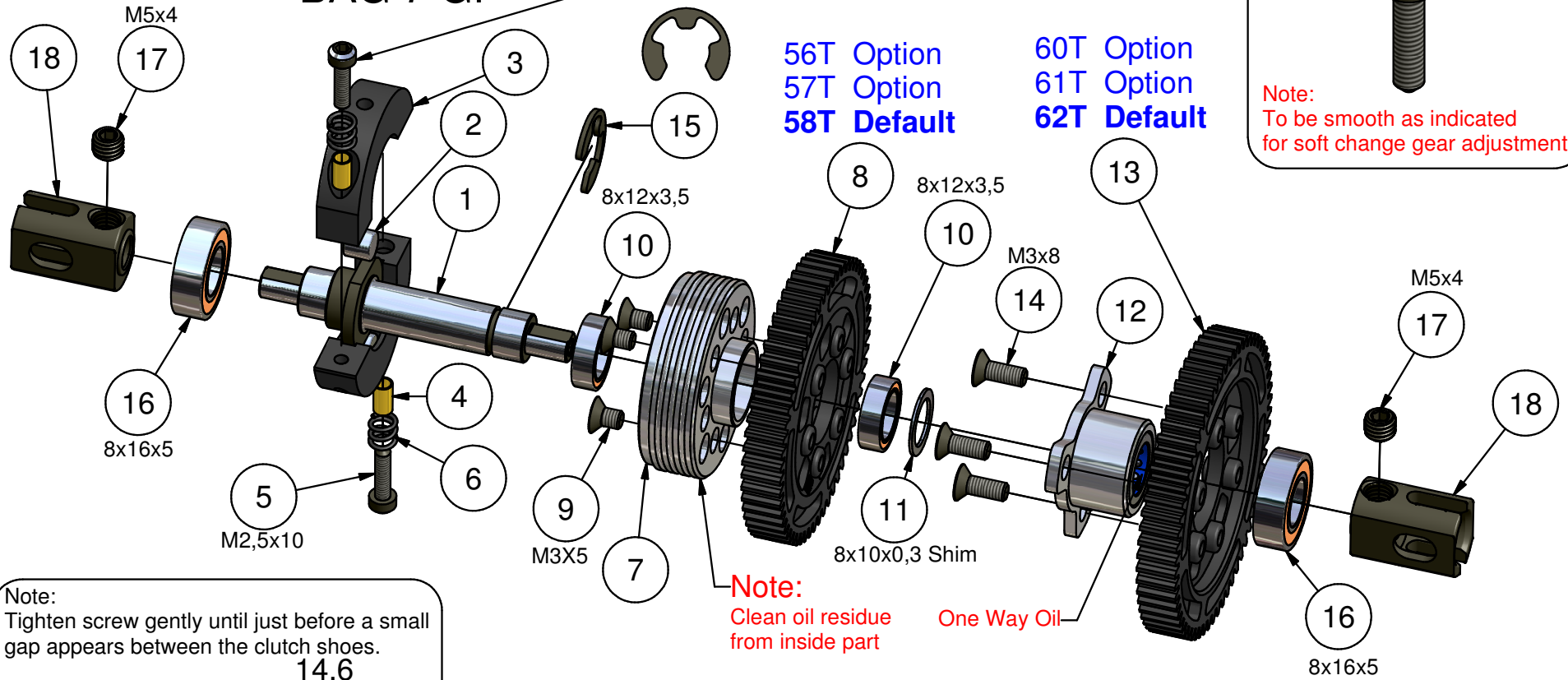
Made in Italy





# Step 7.0 GP - Central Transmission - Capricorn RC

## BAG 7 GP



Note:  
Tighten screw gently until just before a small gap appears between the clutch shoes.  
14,6  
Default setting

Note:  
Adjust the 2,5x10 screws in equal mode

Parts List			Parts List			Parts List		
Rif.	n°	Code	Rif.	n°	Code	Rif.	n°	Code
1	1	Cap 3087	7	1	Cap 2059-V2	13	1	Cap2050-62B
2	2	Cap 2128	8	1	Cap2051-58B	14	3	Cap17031
3	2	Cap 2068B	9	3	Cap17038	15	1	Cap 2006
4	2	Cap16011	10	2	Cap 2015	16	2	Cap 2017
5	2	Cap17021	11	1	Cap 2127-0.3	17	2	Cap 3112
6	2	Cap16031H	12	1	Cap 2058-B	18	2	Cap 3145

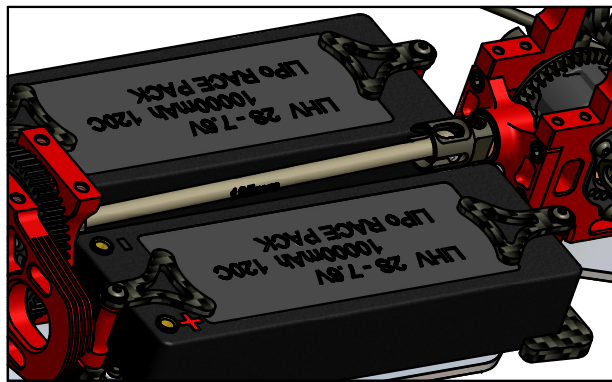
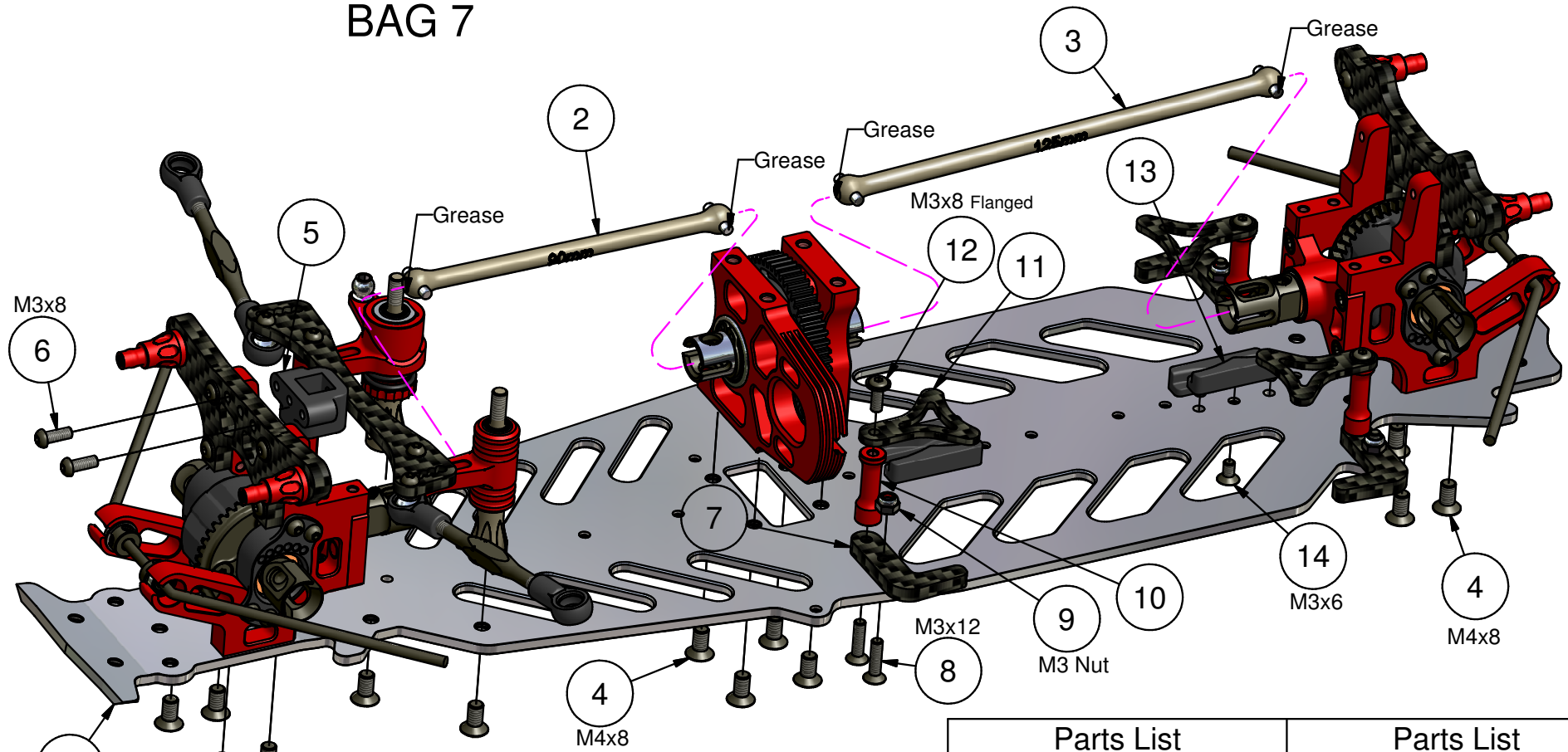
Made in Italy



# Step 7.1

## - Central Transmission - BAG 7

Capricorn RC



Parts List			Parts List		
Rif.	n°	Code	Rif.	n°	Code
1	1	Cap 3005	8	8	Cap 2143
2	1	Cap 3014	9	4	Cap17040
3	1	Cap 3015	10	4	Cap40114
4	14	Cap 2146	11	4	Cap29354
5	1	Cap 3154	12	4	Cap17034
6	2	Cap17032	13	4	Cap40018-P
7	4	Cap 3062	14	4	Cap17029

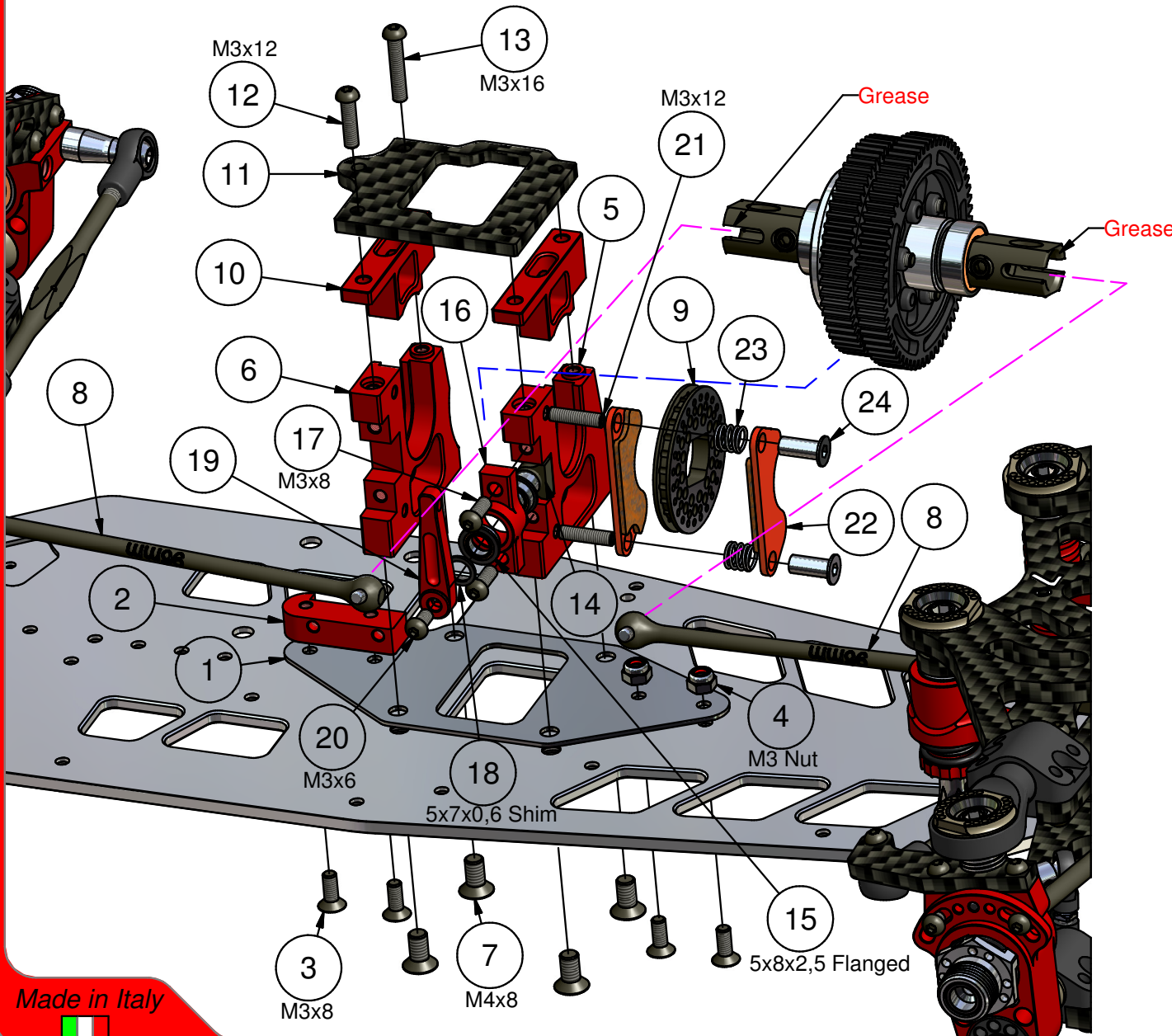
Made in Italy



Step 7.1 GP

Central Transmission -  
BAG 7 GP

Capricorn RC



Parts List		
Rif.	n°	Code
1	1	Cap 3164
2	1	Cap 3080
3	4	Cap17031
4	2	Cap17040
5	1	Cap 3092
6	1	Cap 3091
7	4	Cap 2146
8	2	Cap 3085
9	1	Cap 3088
10	2	Cap 3093
11	1	Cap 3100
12	1	Cap17026
13	1	Cap17028
14	1	Cap 3089
15	2	Cap18082
16	1	Cap 3090
17	2	Cap17032
18	1	Cap 434-0,6
19	1	Cap 3094
20	1	Cap17030
21	2	Cap17005
22	1	Cap 2063C-K
23	2	Cap 2070
24	2	Cap 2038

Made in Italy



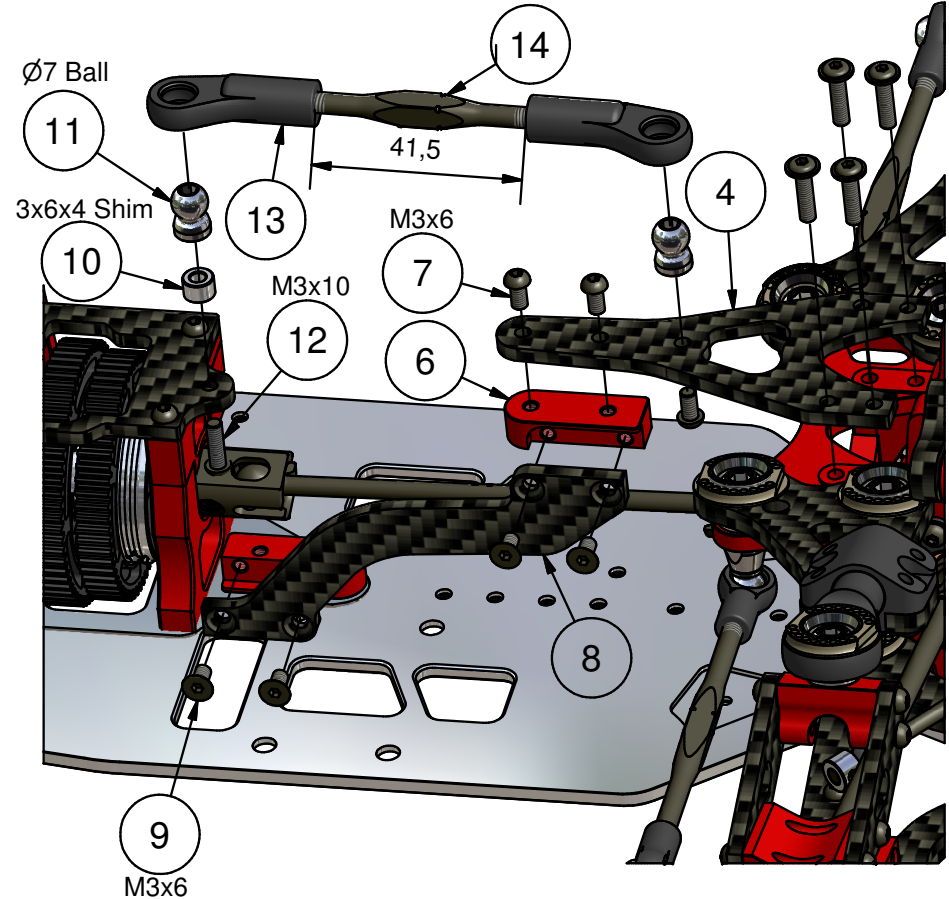
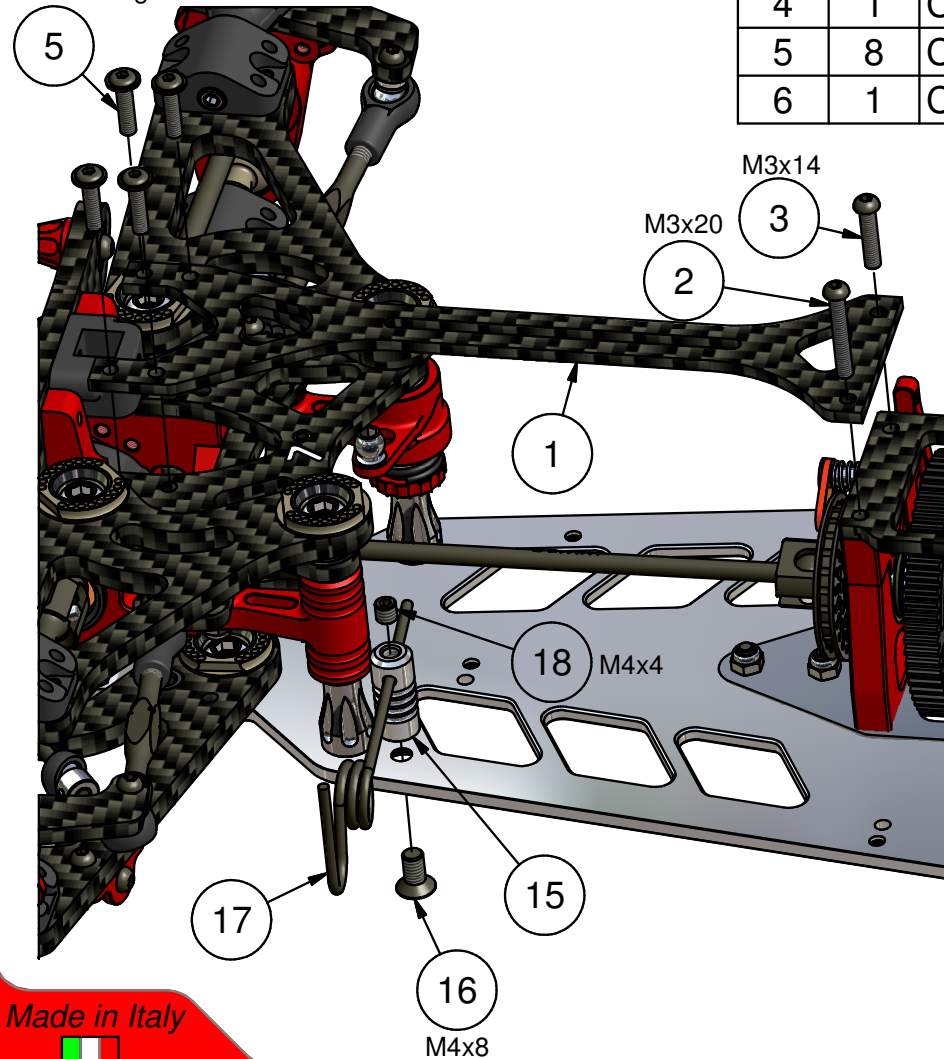
Step 7.2 GP

Central Transmission -  
BAG 7 GP

Capricorn RC

Parts List			Parts List			Parts List		
Rif.	n°	Code	Rif.	n°	Code	Rif.	n°	Code
1	1	Cap 3097	7	3	Cap17030	13	2	Cap 3179
2	1	Cap17120	8	1	Cap 3099	14	1	Cap 3043
3	1	Cap18024	9	4	Cap17029	15	1	Cap16078L
4	1	Cap 3098	10	1	Cap22018	16	1	Cap 2146
5	8	Cap17025	11	2	Cap 2444	17	1	Cap 506XL
6	1	Cap 3080	12	1	Cap17023	18	1	Cap17010

M3x12 Flanged



Made in Italy

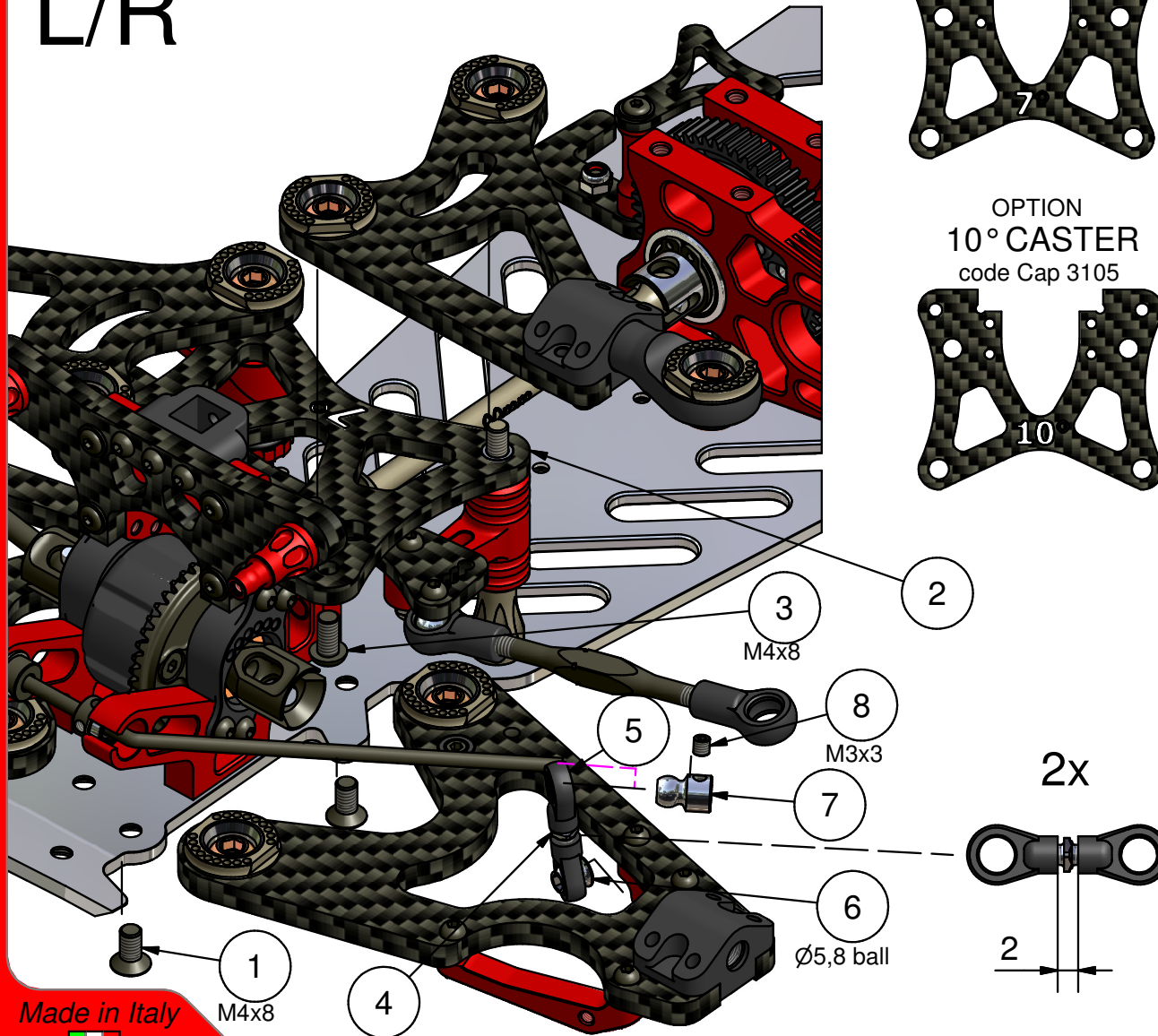


# Step 8.0

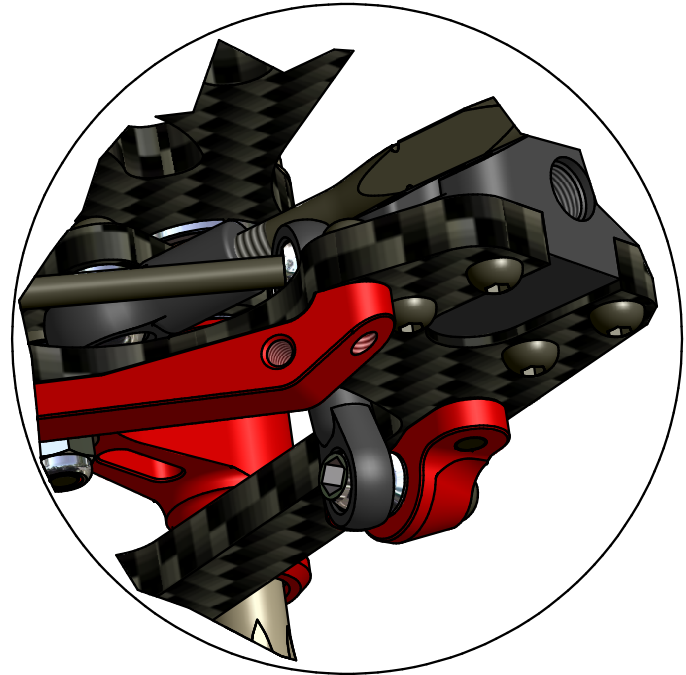
## - Front Harm Assembly - BAG 8

Capricorn RC

L/R



Parts List		
Rif.	n°	Code
1	4	Cap 2146
2	1	Cap 3057
3	2	Cap 2147
4	2	Cap40463
5	4	Cap14042KS
6	2	Cap18169
7	2	Cap 2120-3.0
8	2	Cap17006



Made in Italy

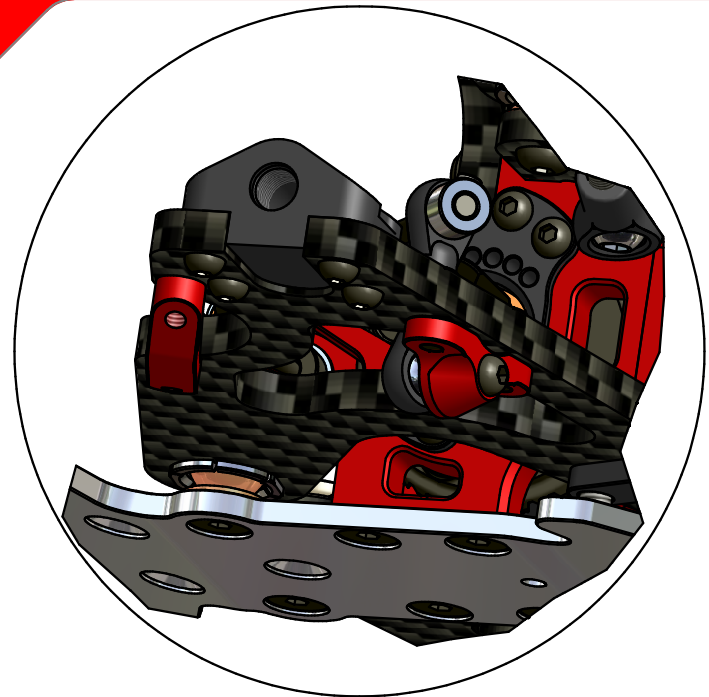
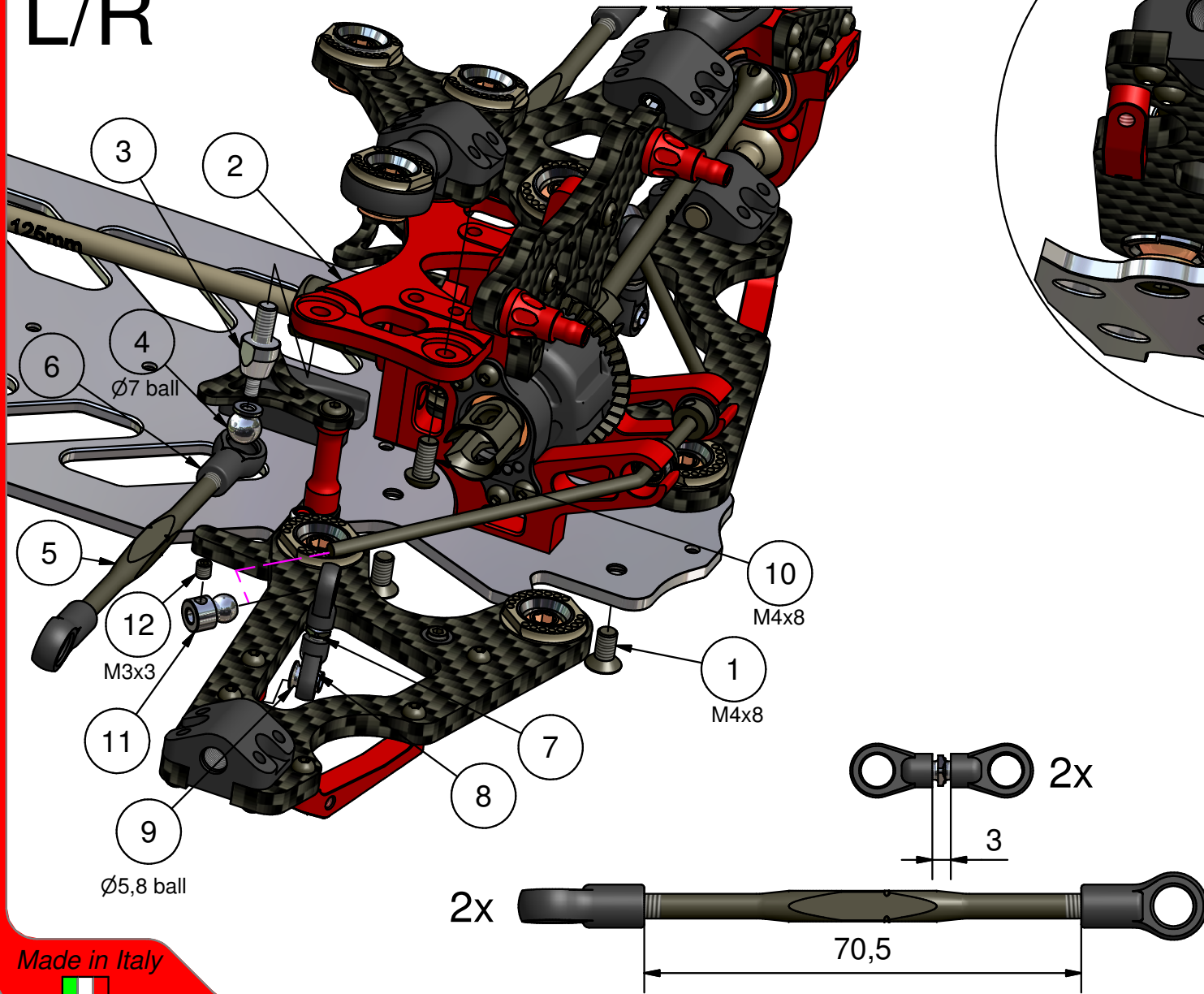


# Step 8.1

## - Rear Harm Assembly - BAG 8

Capricorn RC

L/R



### Parts List

Rif.	n°	Code
1	4	Cap 2146
2	1	Cap 3069
3	2	Cap 3025
4	2	Cap 2237
5	2	Cap 3041
6	4	Cap 2361
7	2	Cap40463
8	4	Cap14042KS
9	2	Cap18169
10	2	Cap 2147
11	2	Cap 2120-3.0
12	2	Cap17006

Made in Italy

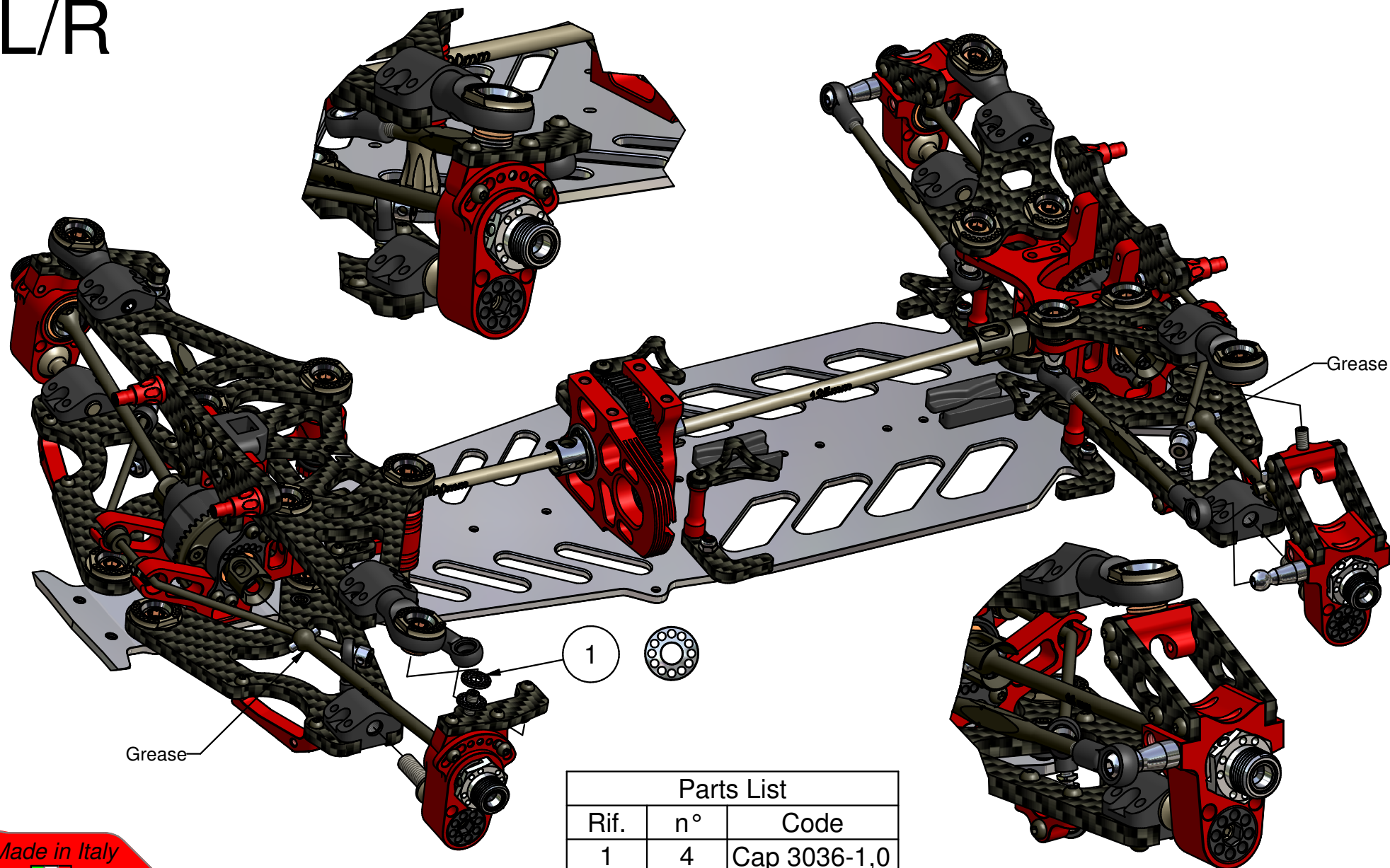


# Step 8.2

## - Hub Assembly - BAG 8

Capricorn RC

L/R



Parts List		
Rif.	n°	Code
1	4	Cap 3036-1,0

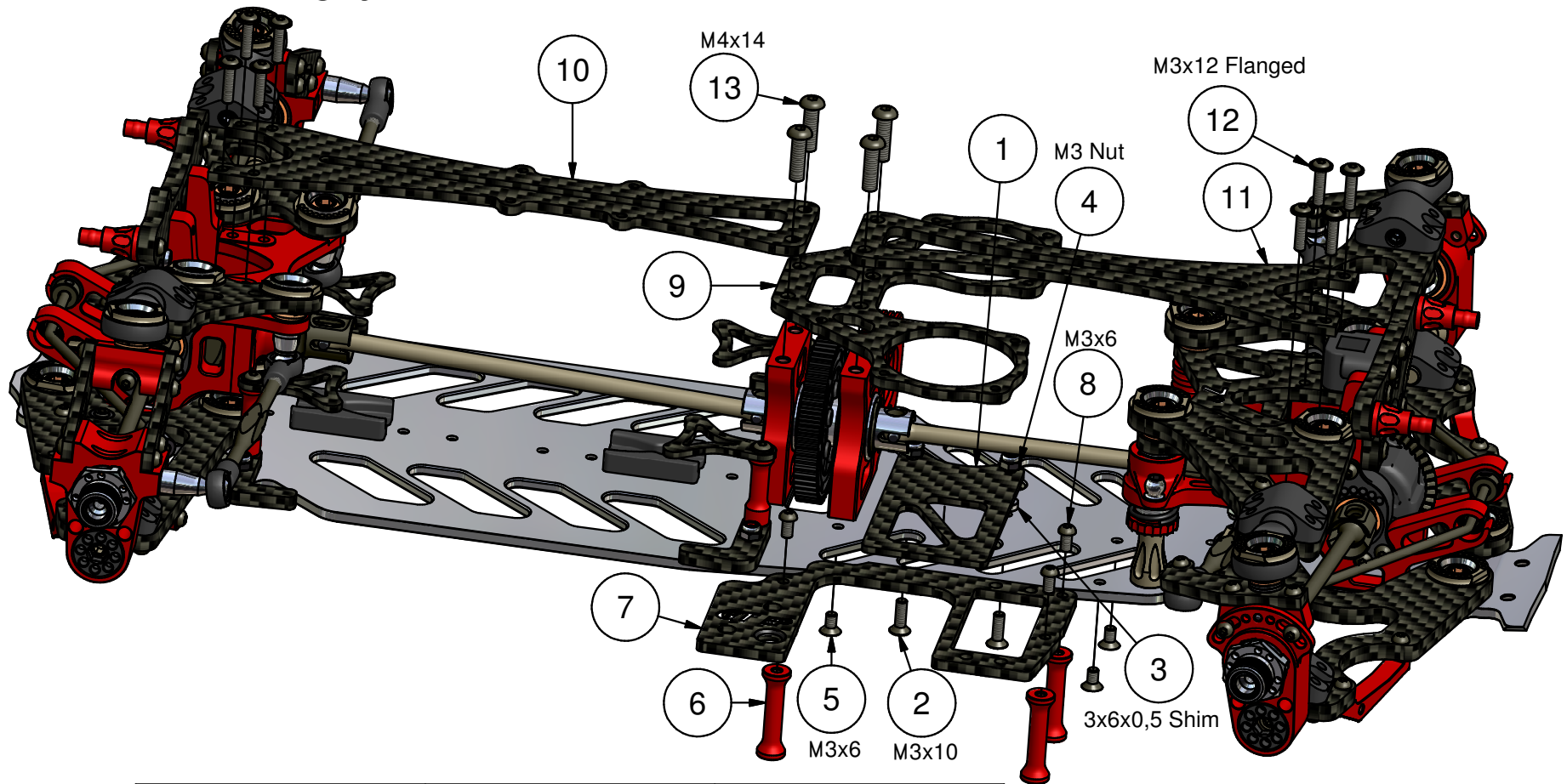
Made in Italy



# Step 9.0

## - Up Deck / Radio Plate - BAG 9

Capricorn RC



Parts List			Parts List			Parts List		
Rif.	n°	Code	Rif.	n°	Code	Rif.	n°	Code
1	1	Cap 3056	6	3	Cap40115	11	1	Cap 3059
2	2	Cap17027	7	1	Cap 3055	12	8	Cap17025
3	2	Cap22020	8	3	Cap17030	13	4	Cap 2397
4	2	Cap17040	9	1	Cap 3039			
5	3	Cap17029	10	1	Cap 3060			

Made in Italy

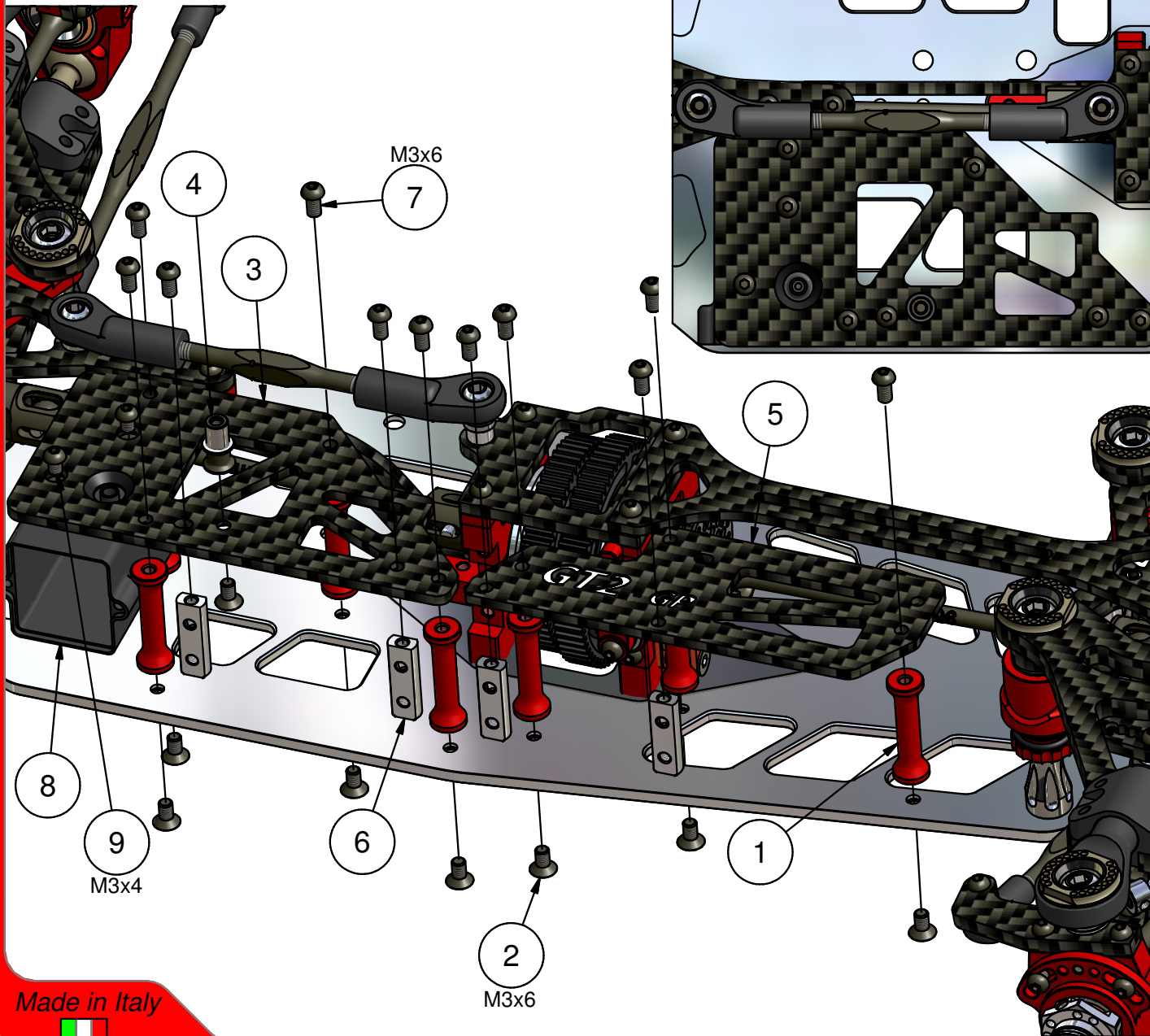




Step 9.0 GP

- Radio Plate -  
BAG 9 GP

Capricorn RC



Parts List		
Rif.	n°	Code
1	7	Cap40115
2	8	Cap17029
3	1	Cap 3096
4	1	Cap 3102
5	1	Cap 3095
6	4	Cap40083
7	11	Cap17030
8	1	Cap 2460-A
9	2	Cap18021

Made in Italy



**Step 9.1**

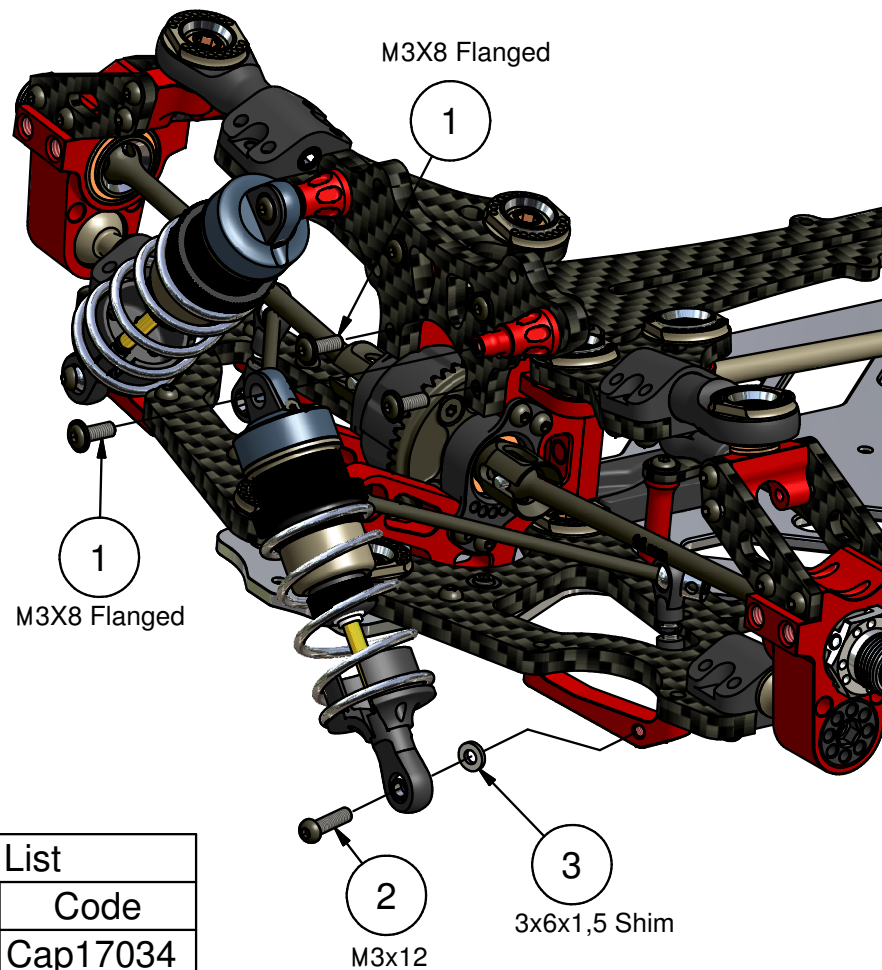
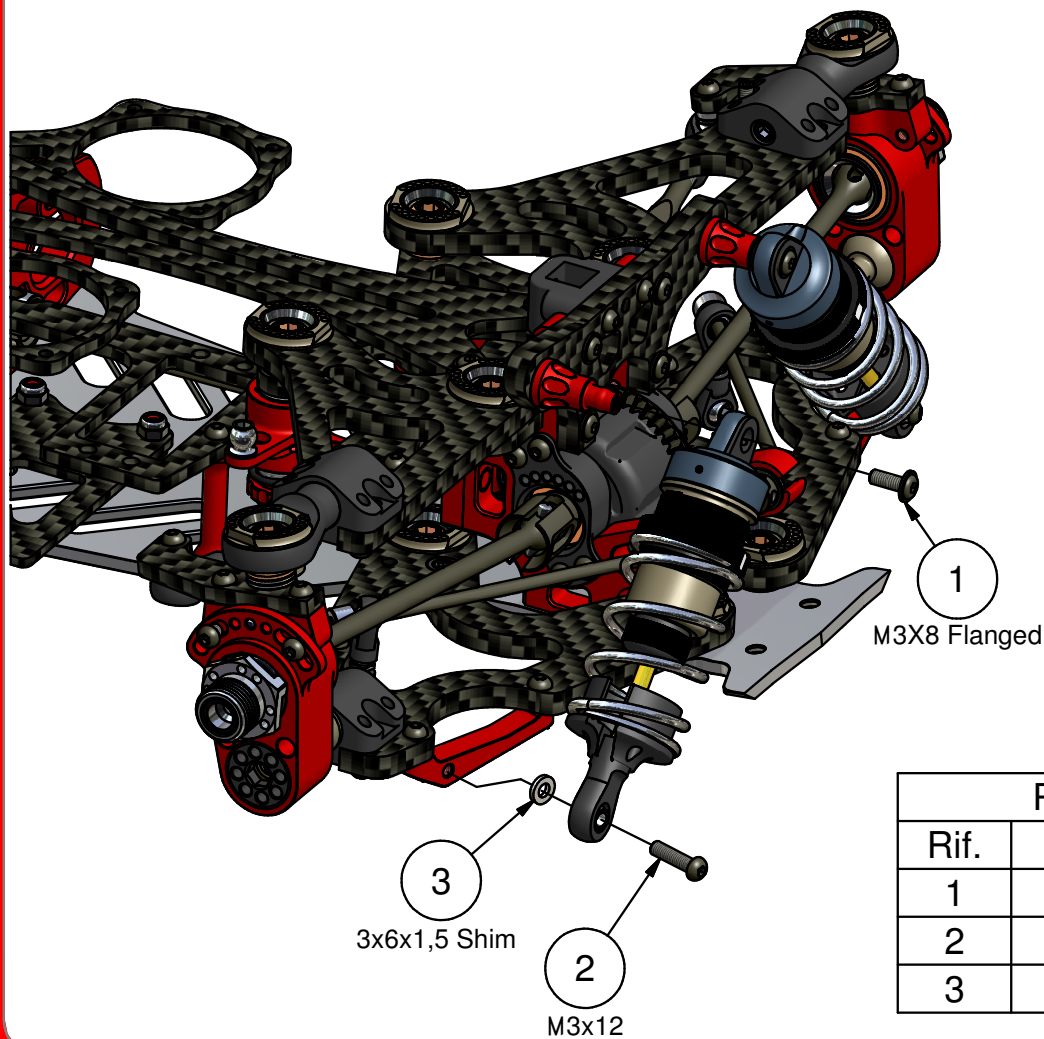
**- Damper Assembly -  
BAG 9**

*Capricorn RC*

Front

L/R

Rear



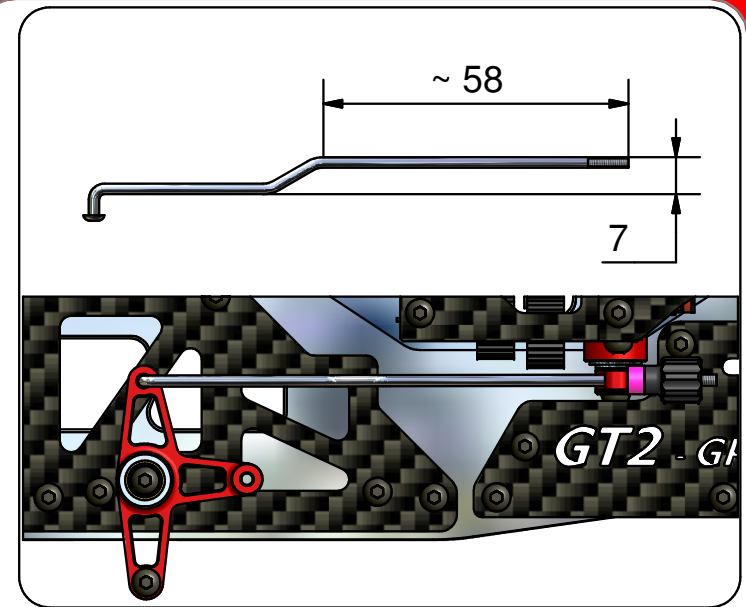
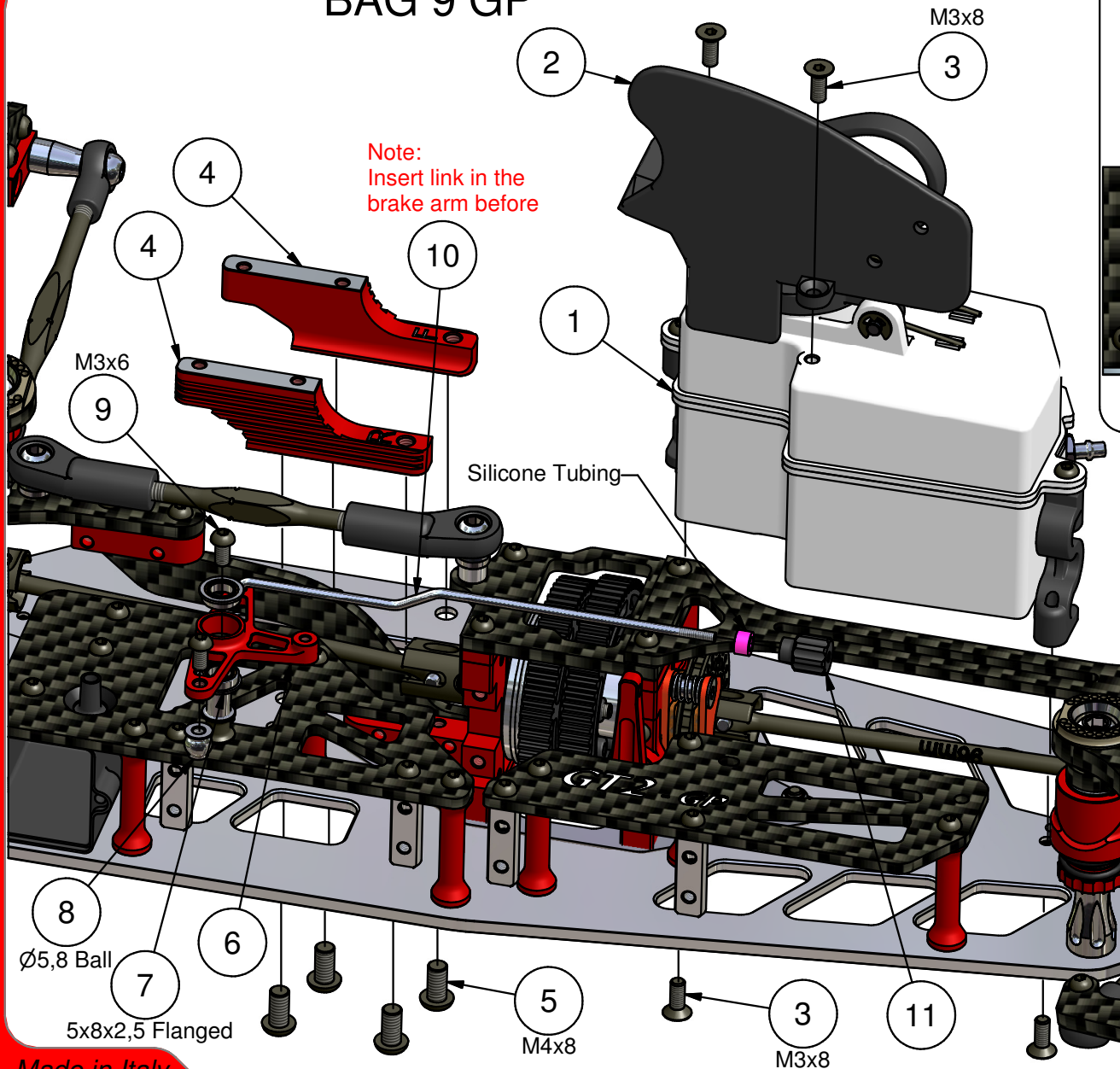
Parts List		
Rif.	n°	Code
1	6	Cap17034
2	4	Cap17026
3	4	Cap22019

Made in Italy



# Step 9.1 GP - Brake Link and Tank - BAG 9 GP

Capricorn RC



## Parts List

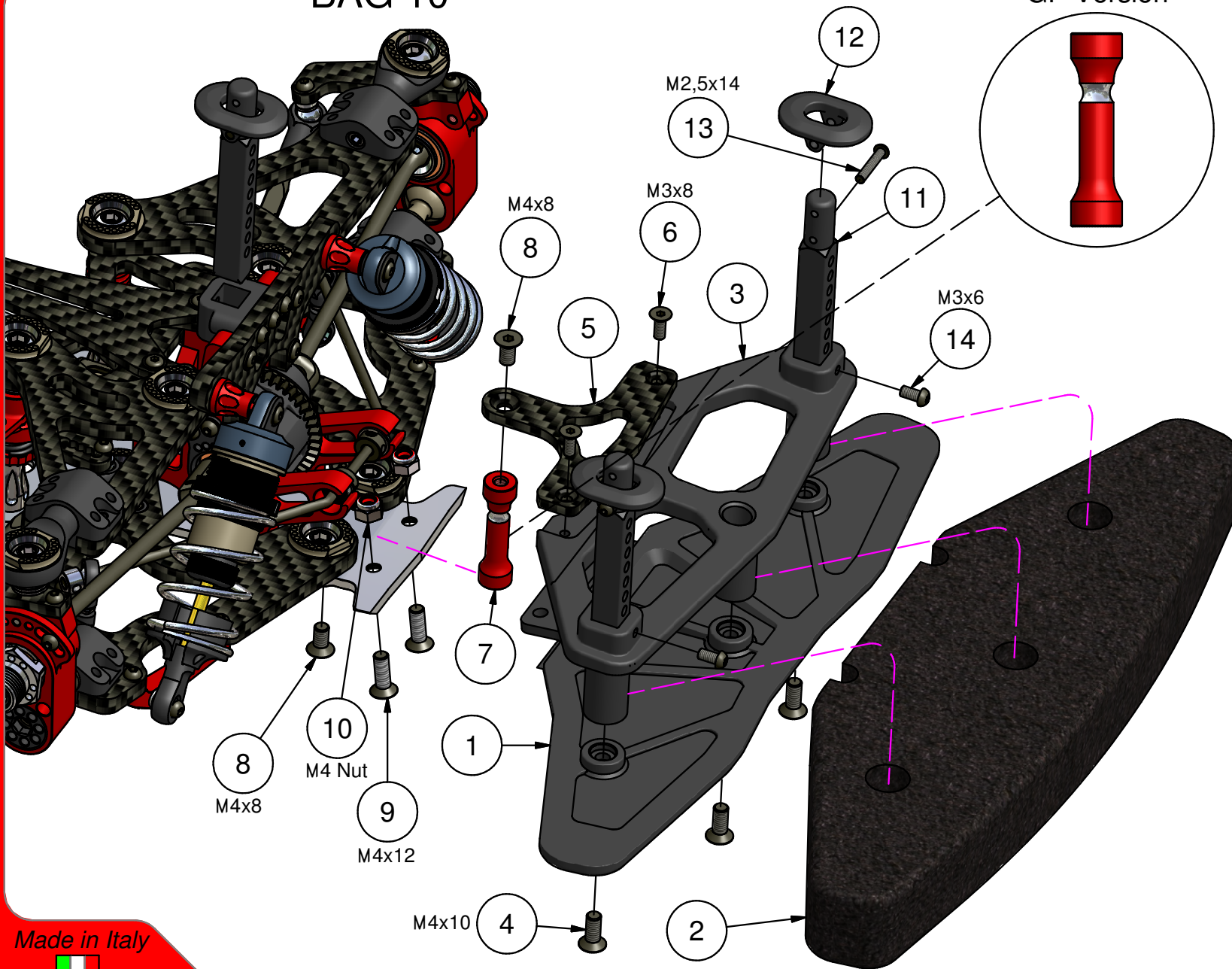
Rif.	n°	Code
1	1	Cap 3177
2	1	Cap 3178
3	4	Cap17031
4	1	Cap 2211-K
5	4	Cap 2147
6	1	Cap 3083
7	2	Cap18082
8	1	Cap18169
9	2	Cap17030
10	1	Cap 3146
11	1	Cap17041

Made in Italy



# Step 10.0 - Bumper Assembly - BAG 10

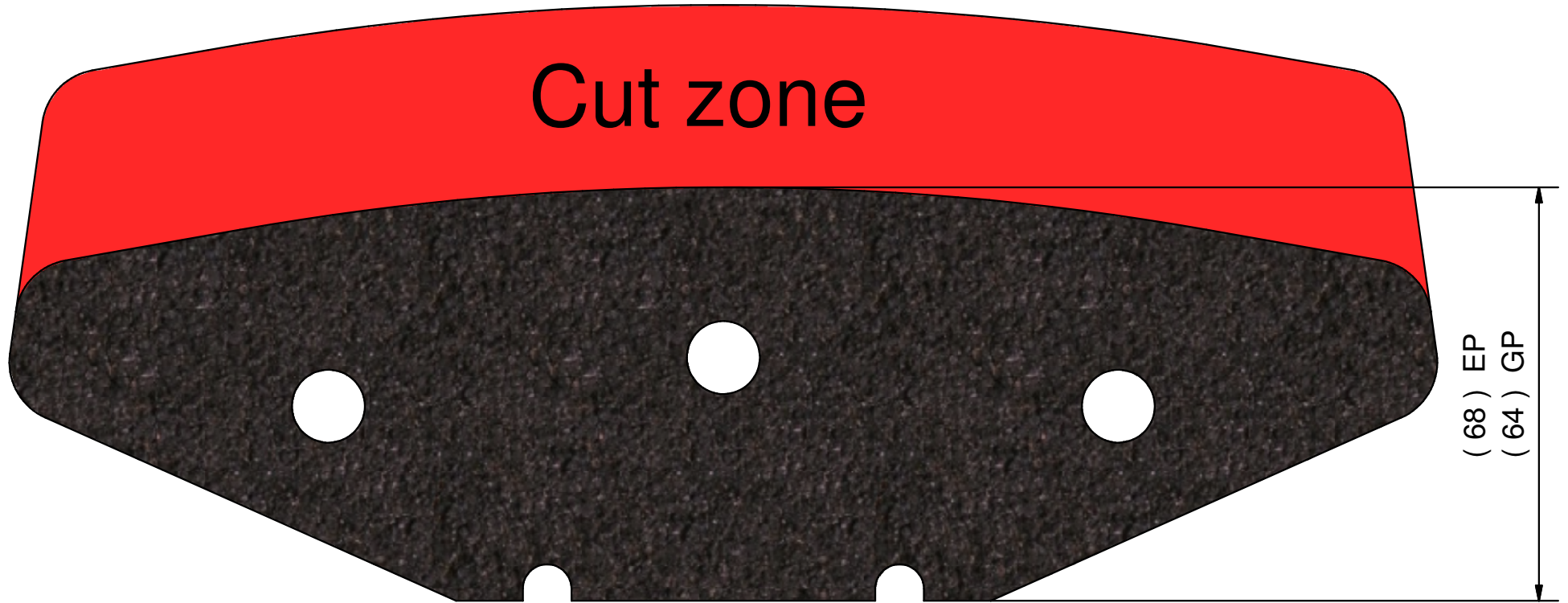
Capricorn RC



Parts List		
Rif.	n°	Code
1	1	Cap 3156
2	1	Cap 3158
3	1	Cap 3157
4	3	Cap17131
5	1	Cap 3066
6	2	Cap17031
7	1	Cap 3022
8	2	Cap 2146
9	2	Cap 2145
10	2	Cap 2112
11	3	Cap 3153
12	3	Cap 3155
13	3	Cap17139
14	3	Cap17030

Made in Italy





Cut zone

(68) EP  
(64) GP

Scale 1:1

Note:

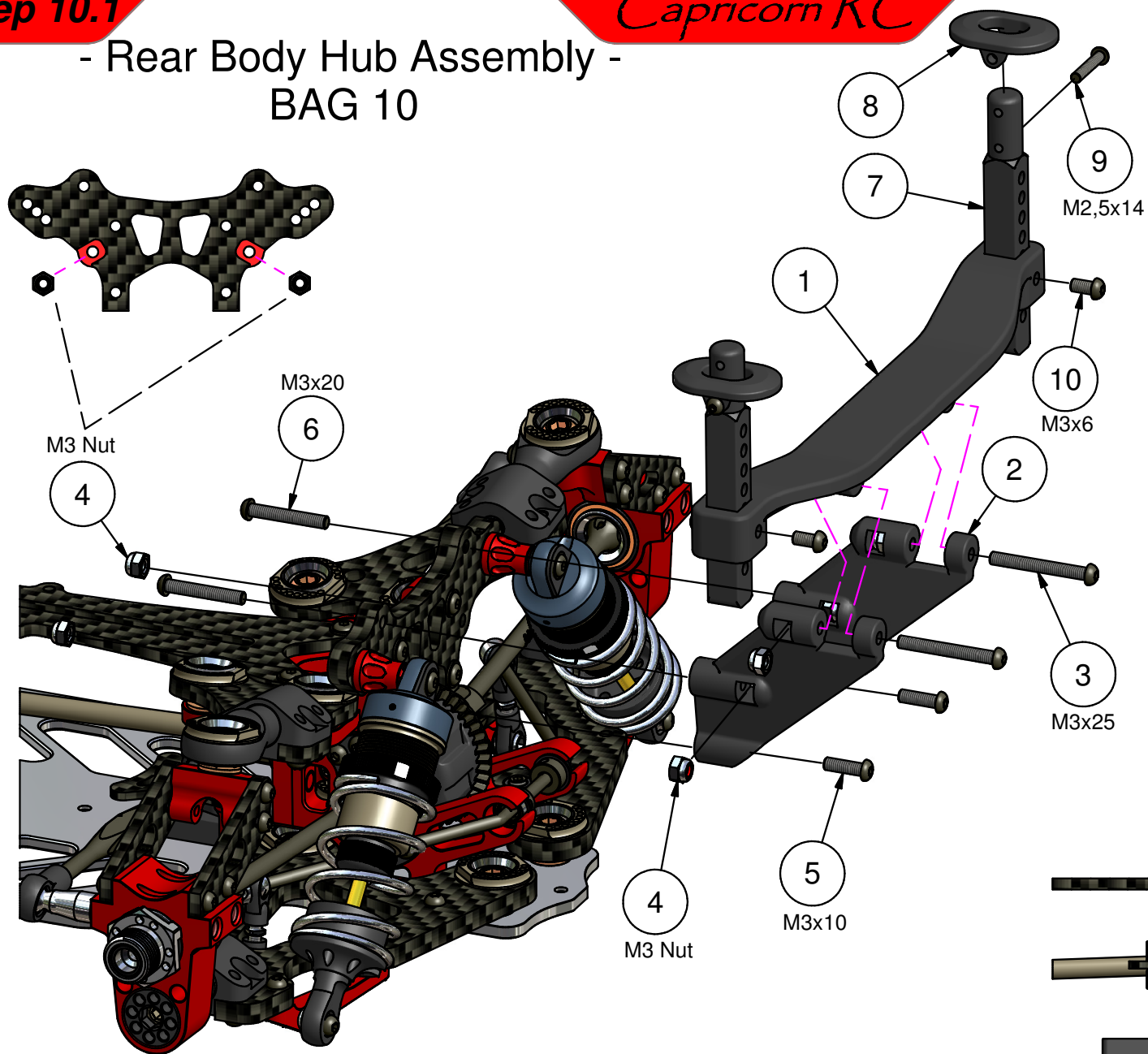
Cut as shown in the figure and depending on the body used



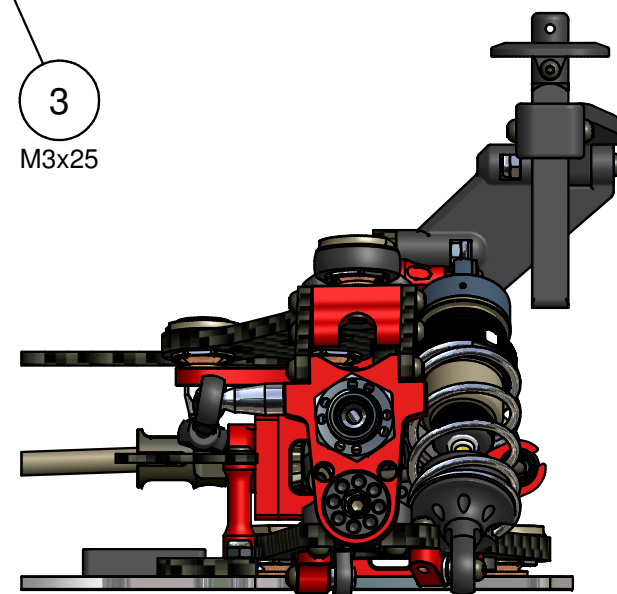
# Step 10.1

Capricorn RC

## - Rear Body Hub Assembly - BAG 10



Parts List		
Rif.	n°	Code
1	1	Cap 3152
2	2	Cap 3151
3	2	Cap17140
4	6	Cap17040
5	2	Cap17023
6	2	Cap17120
7	2	Cap 3153
8	2	Cap 3155
9	2	Cap17139
10	2	Cap17030



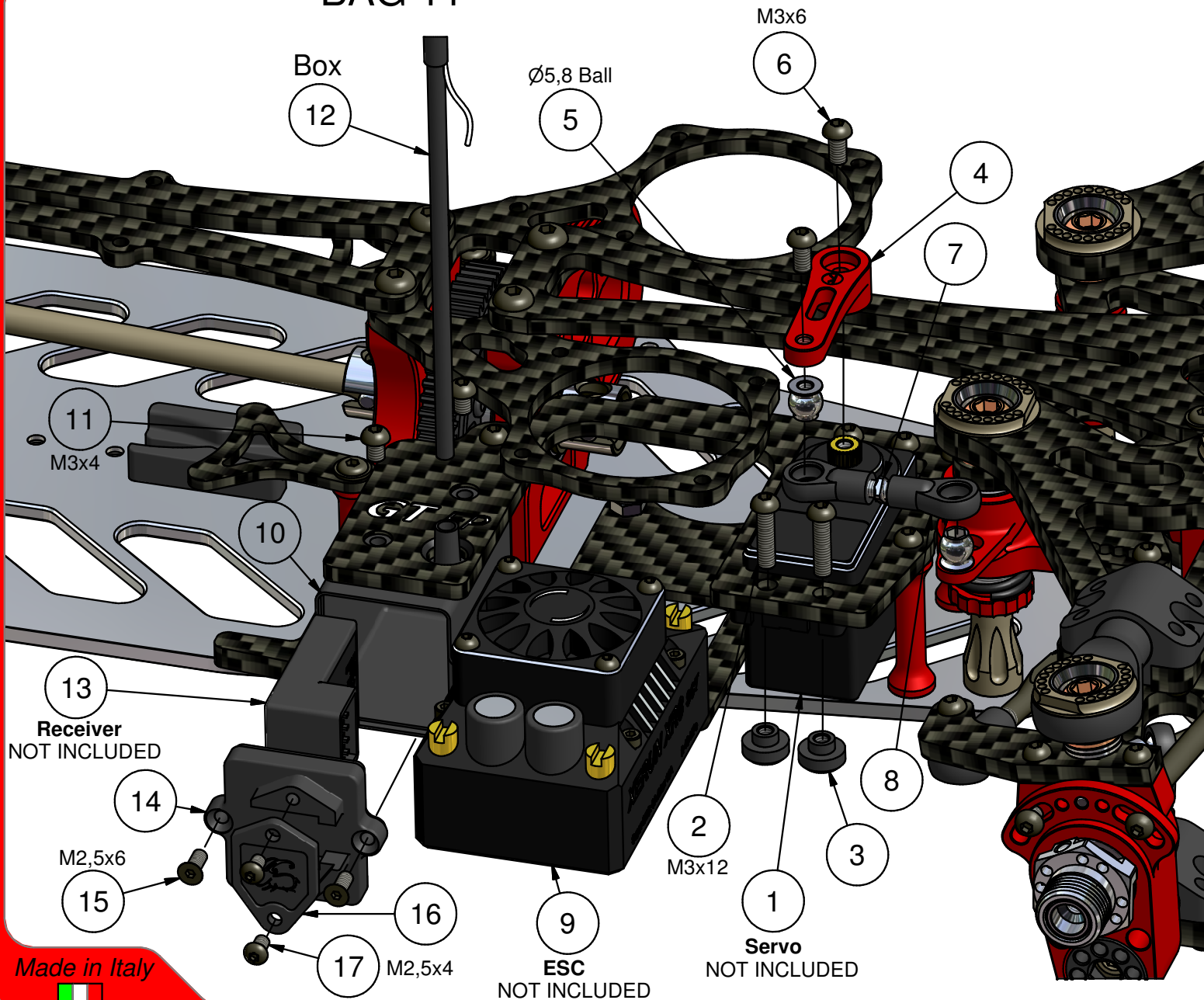
Made in Italy



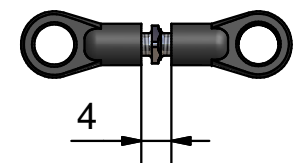
# Step 11.0

## - Electronics - BAG 11

Capricorn RC

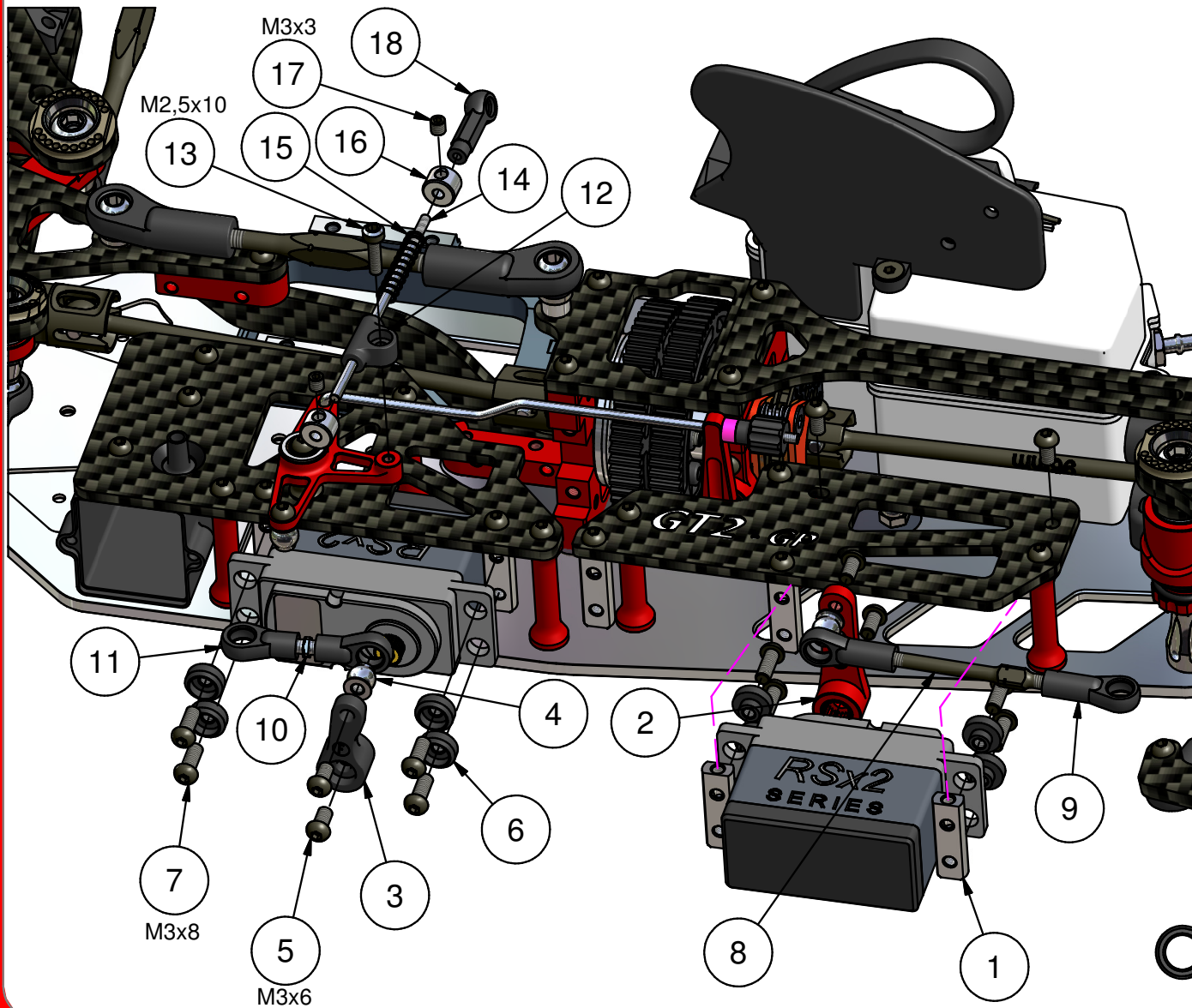


Parts List		
Rif.	n°	Code
1	1	Servo
2	4	Cap17026
3	4	Cap18086
4	1	Cap 3072-F
5	1	Cap18169
6	2	Cap17030
7	1	Cap40463
8	2	Cap14043KS
9	1	ESC
10	1	Cap 2460
11	2	Cap18021
12	1	Cap14001
13	1	Receiver
14	1	Cap 2460
15	2	Cap17035
16	1	Cap 2460
17	2	Cap18019

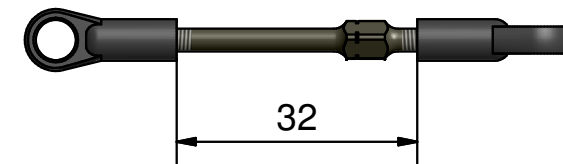


Made in Italy





Parts List		
Rif.	n°	Code
1	2	Cap40083
2	1	Cap 3072-F
3	1	Cap 601
4	2	Cap18169
5	3	Cap17030
6	8	Cap18086
7	8	Cap17032
8	1	Cap16073
9	2	Cap14041L
10	1	Cap40463
11	2	Cap14043KS
12	1	Cap17041
13	1	Cap17021
14	1	Cap 3146
15	1	Cap17041
16	2	Cap16015
17	2	Cap17006
18	1	Cap17041



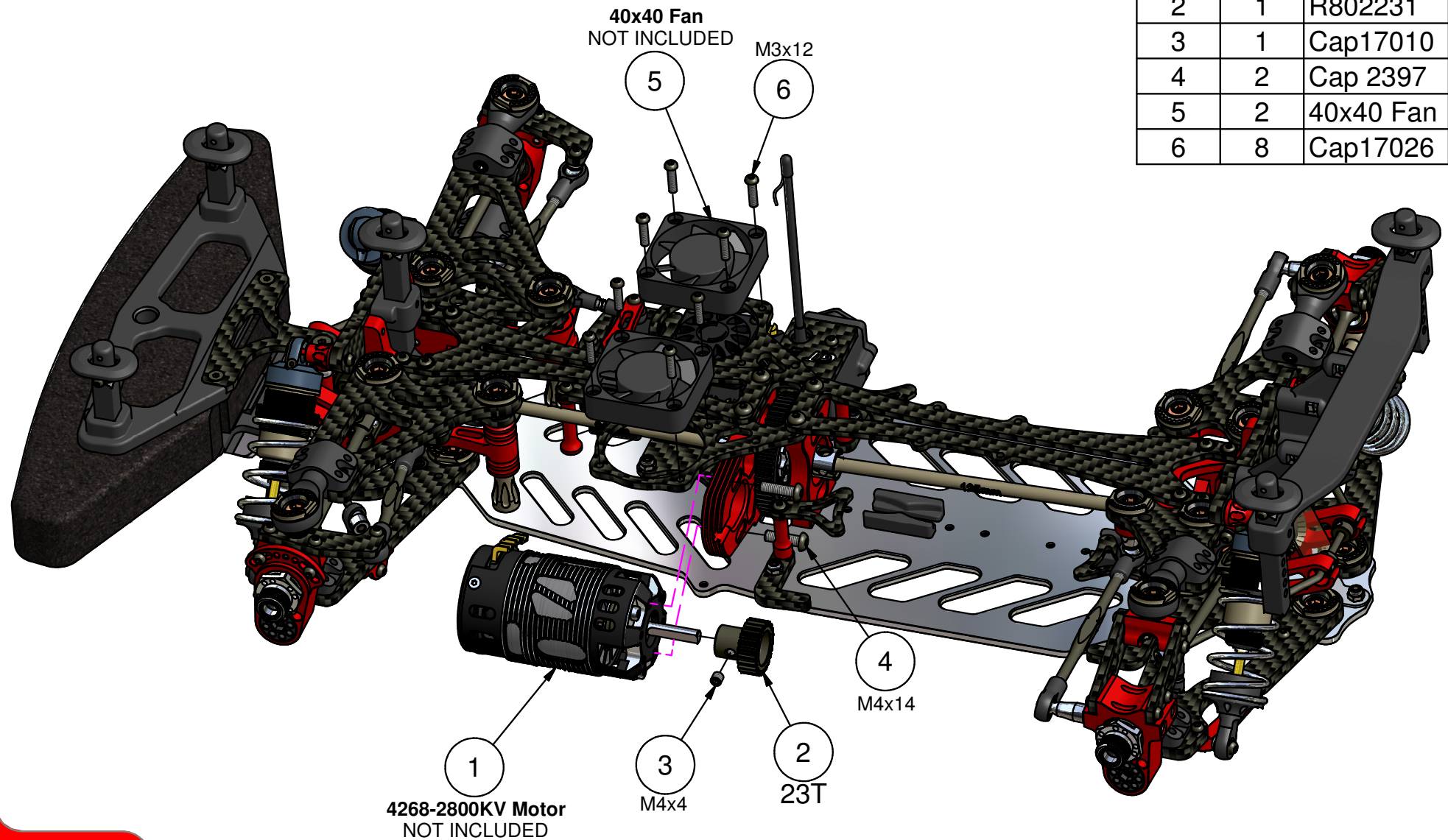


# Step 11.1

## - Electronics - BAG 11

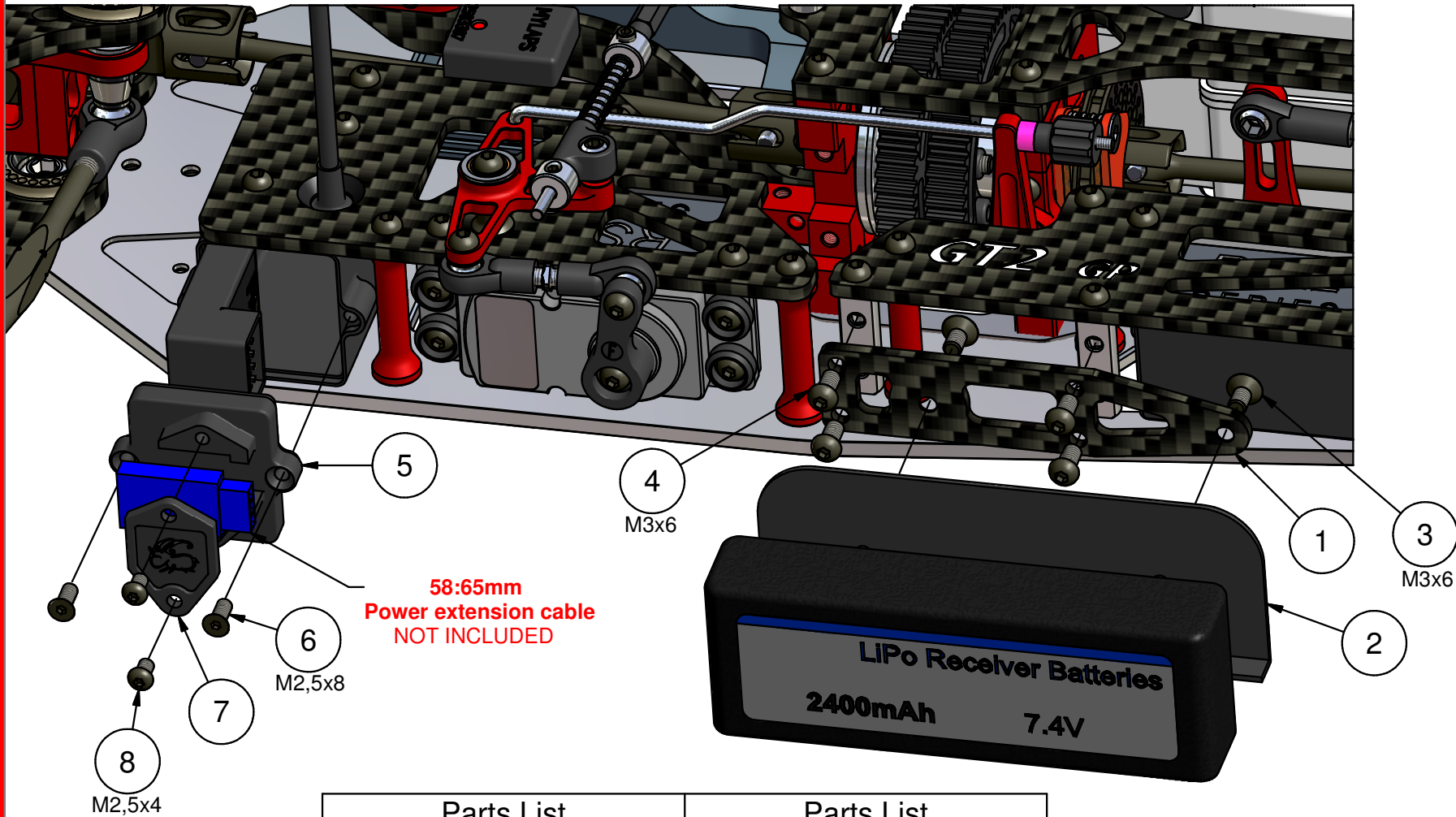
Capricorn RC

Parts List		
Rif.	n°	Code
1	1	Motor
2	1	R802231
3	1	Cap17010
4	2	Cap 2397
5	2	40x40 Fan
6	8	Cap17026



Made in Italy



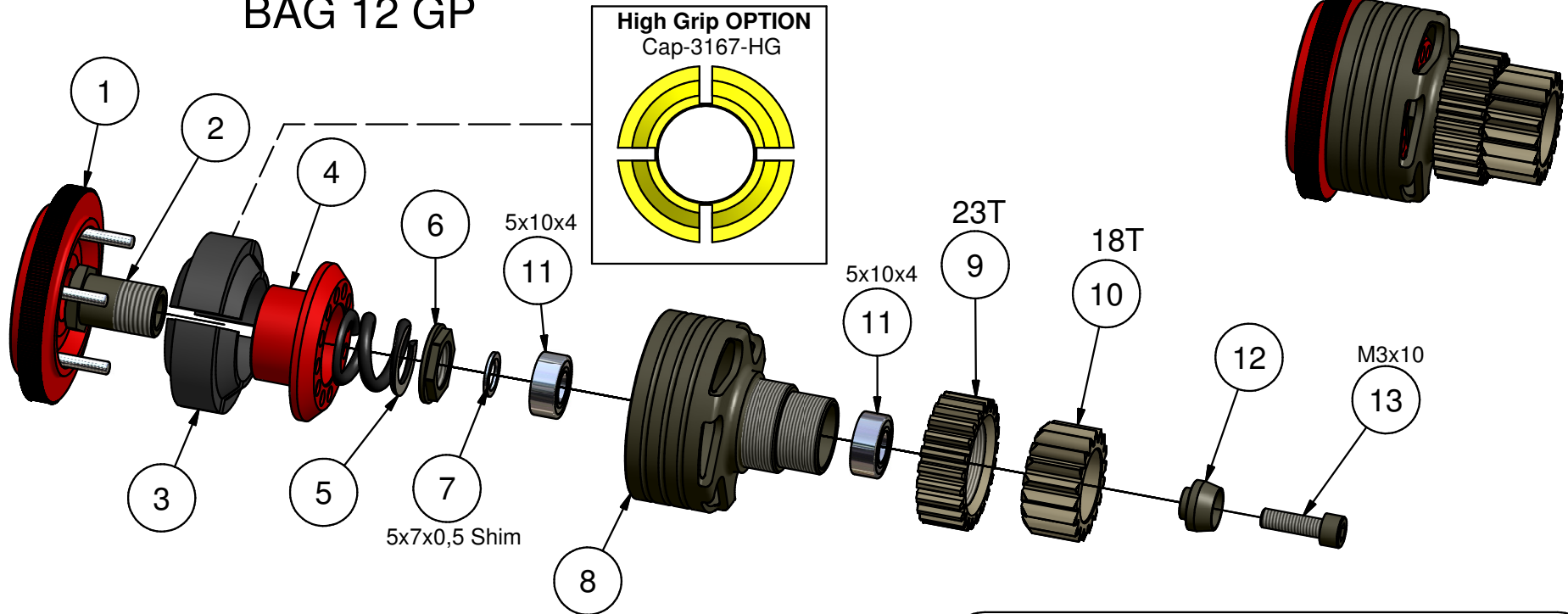


Parts List			Parts List		
Rif.	n°	Code	Rif.	n°	Code
1	1	Cap 3079	5	1	Cap 2460-B
2	1	Cap18198	6	2	Cap17035
3	2	Cap17029	7	1	Cap 2460-C
4	4	Cap17030	8	2	Cap18019

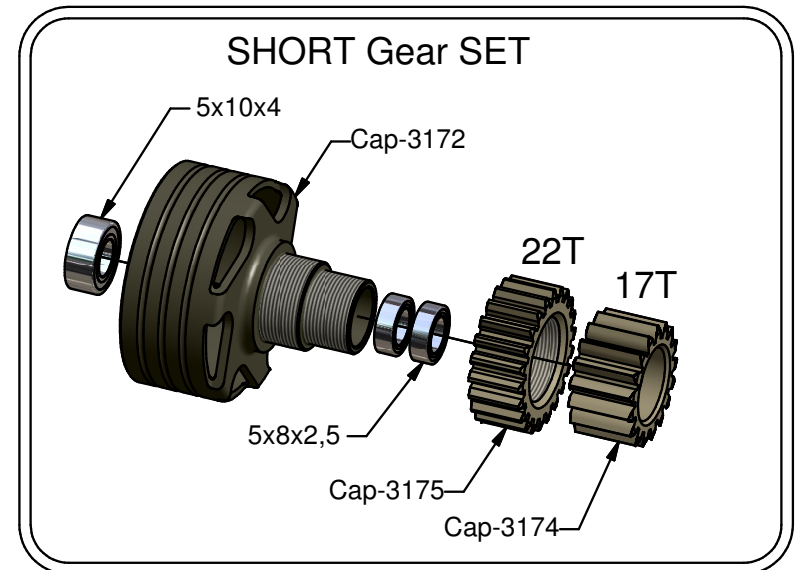
Step 12.0 GP

- Clutch -  
BAG 12 GP

Capricorn RC



Parts List			Parts List		
Rif.	n°	Code	Rif.	n°	Code
1	1	Cap 3166	8	1	Cap 3171
2	1	Cap 408	9	1	Cap 2123-23
3	1	Cap 3167	10	1	Cap 2123V2-18
4	1	Cap 3168	11	2	Cap 415
5	1	Cap 2391	12	1	Cap 3169
6	1	Cap 3170	13	1	Cap18025
7	2	Cap 434-0,5			



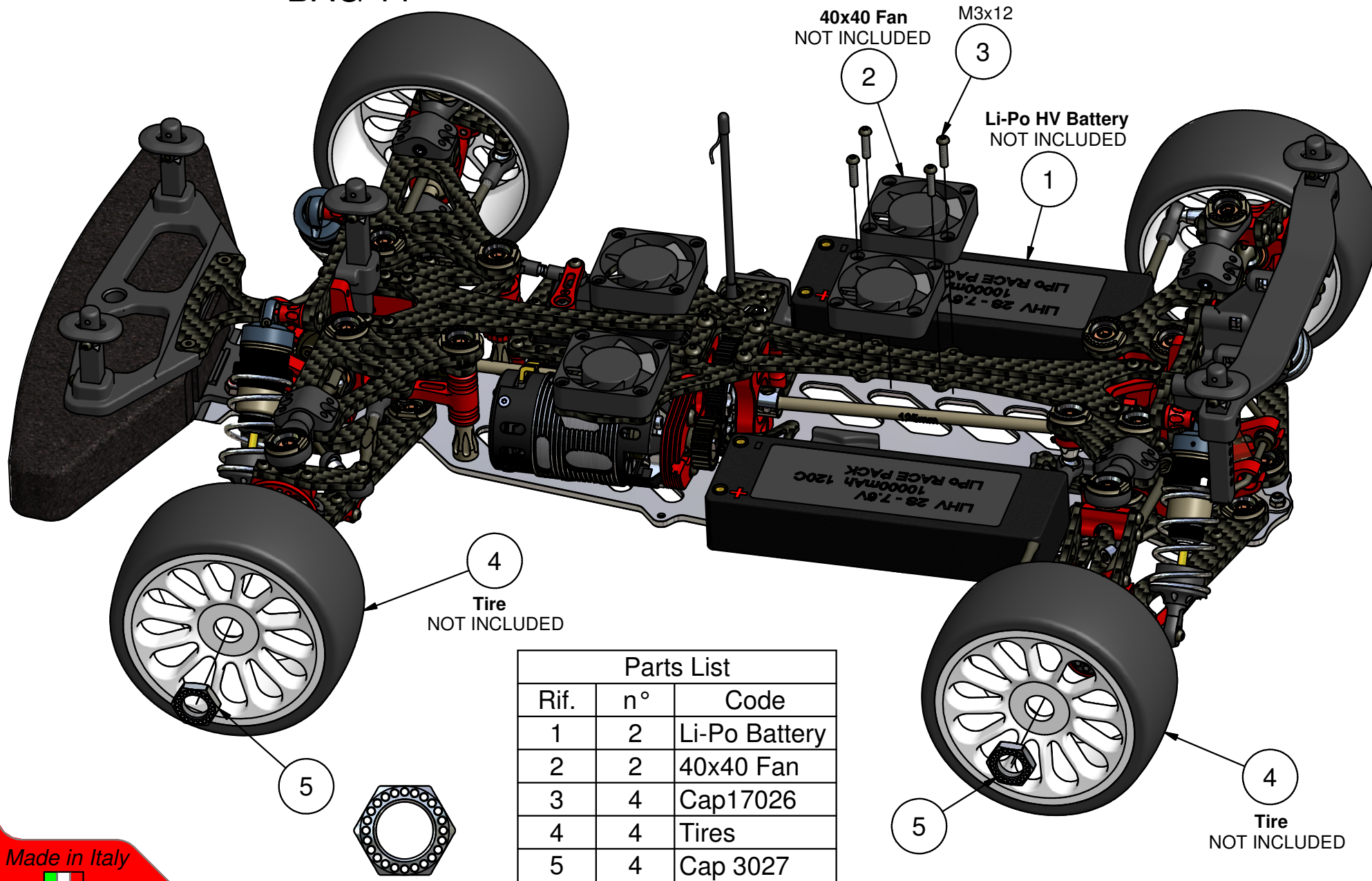
Made in Italy



# Step 11.2

## - Final Assembly - BAG 11

Capricorn RC



Parts List		
Rif.	n°	Code
1	2	Li-Po Battery
2	2	40x40 Fan
3	4	Cap17026
4	4	Tires
5	4	Cap 3027

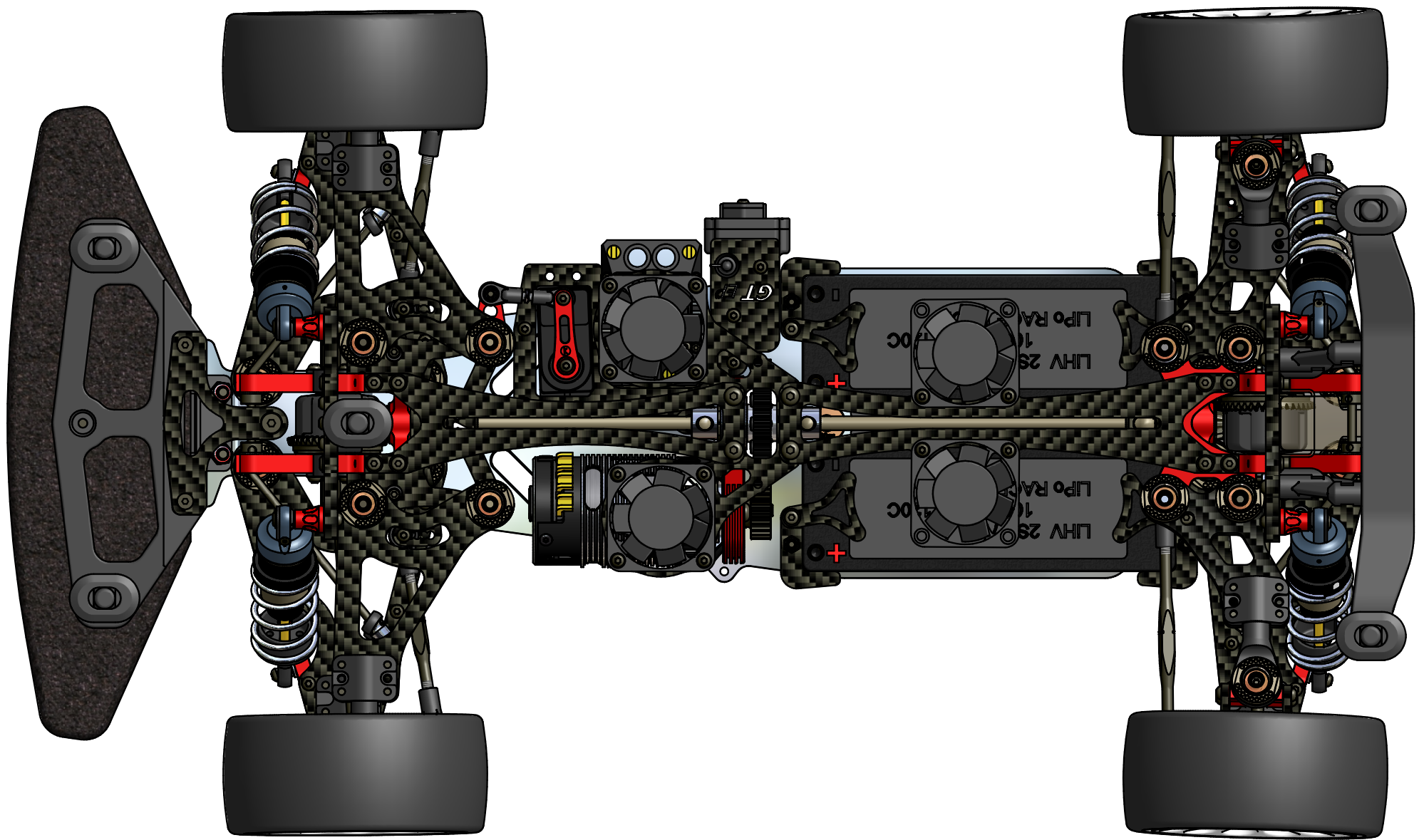
Made in Italy



Step 11.3

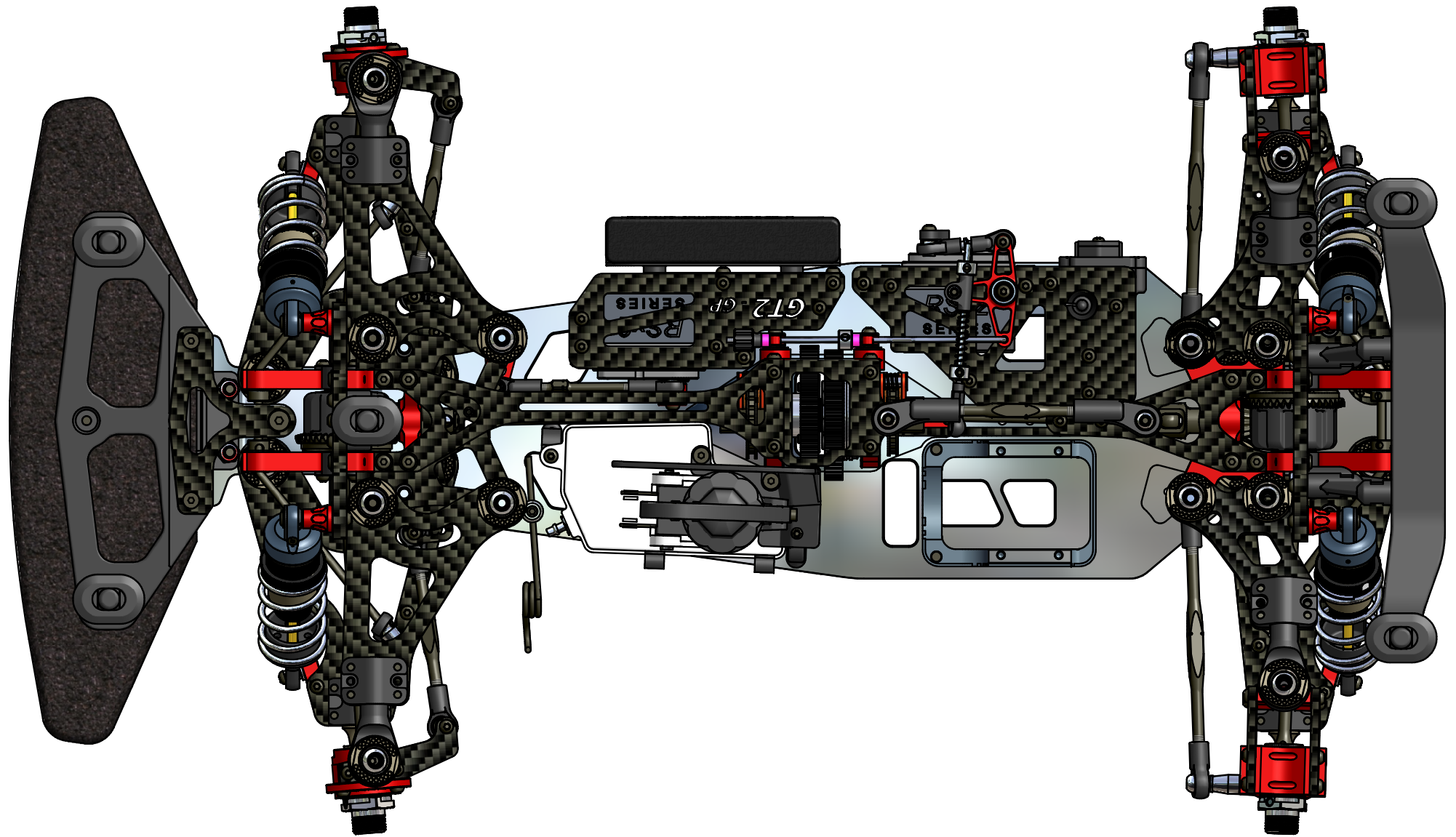
- Final View -

Capricorn RC



Made in Italy

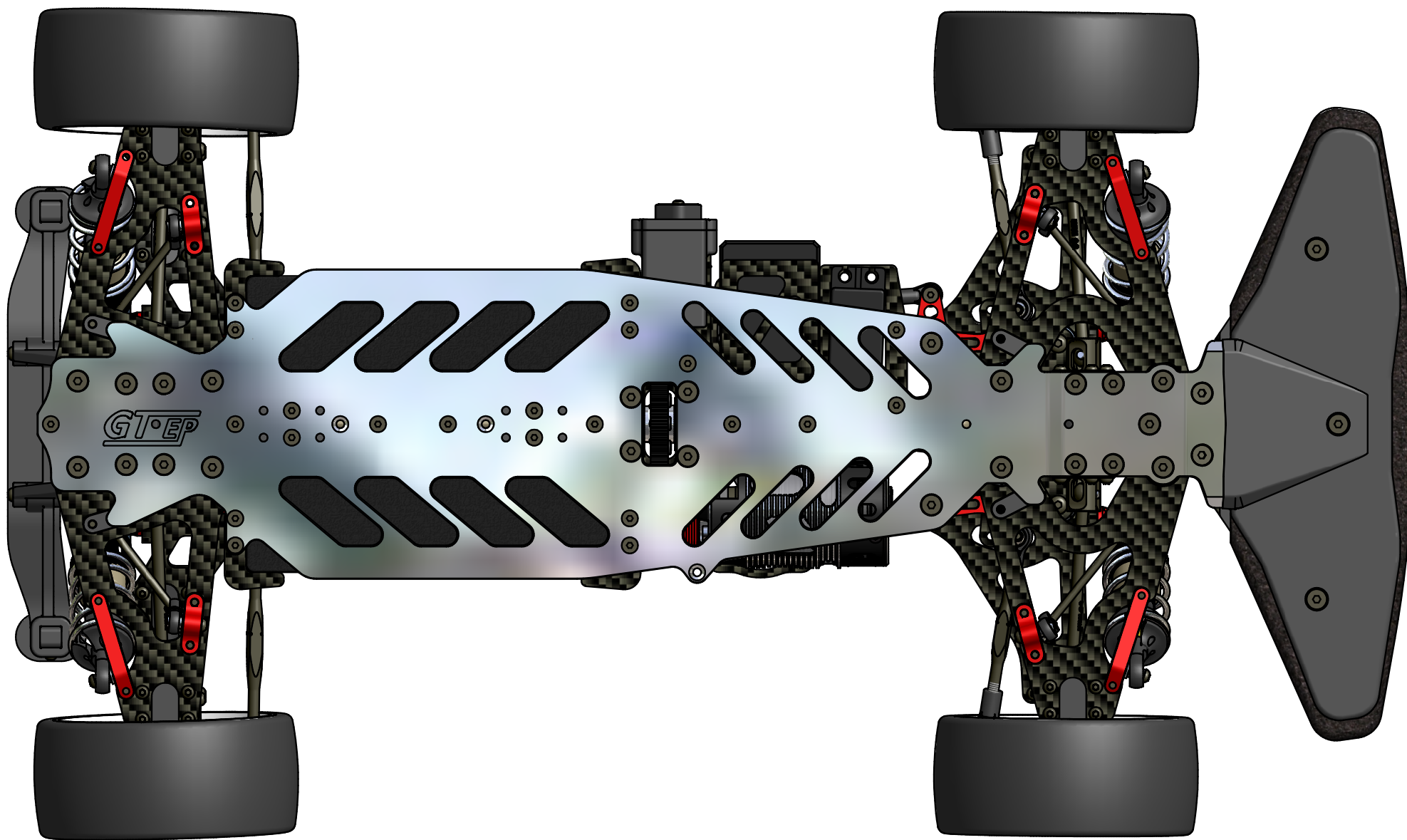




Step 11.4

- Final View -

Capricorn RC



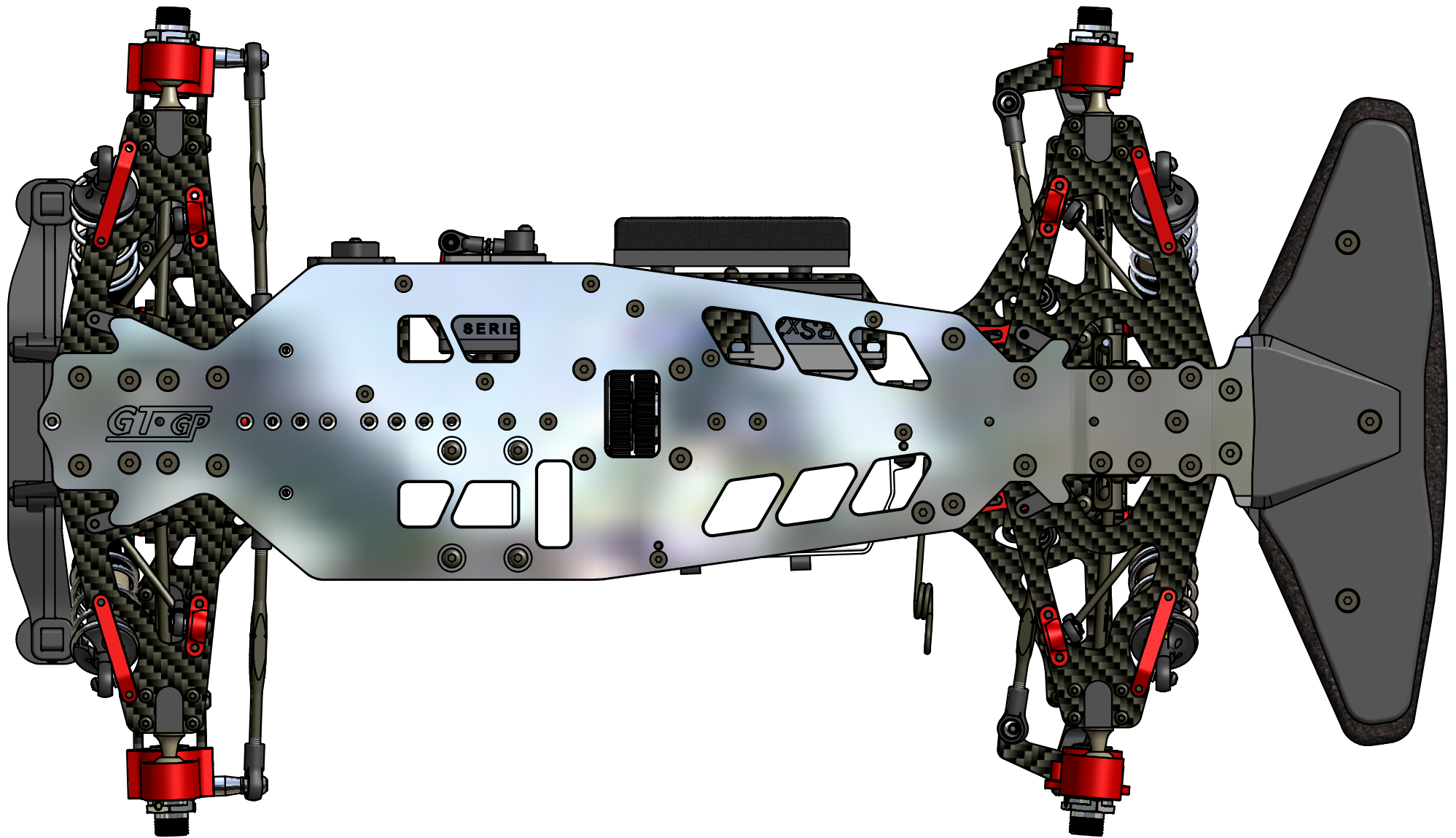
Made in Italy



Step 11.4 GP

- GP Final View -

Capricorn RC



Made in Italy

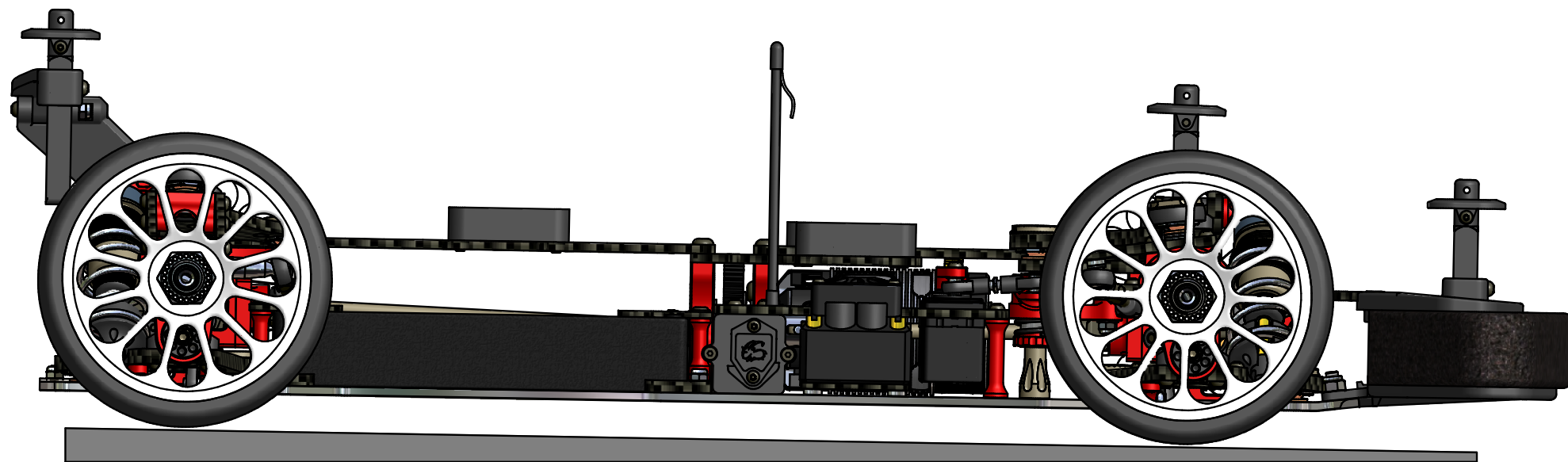
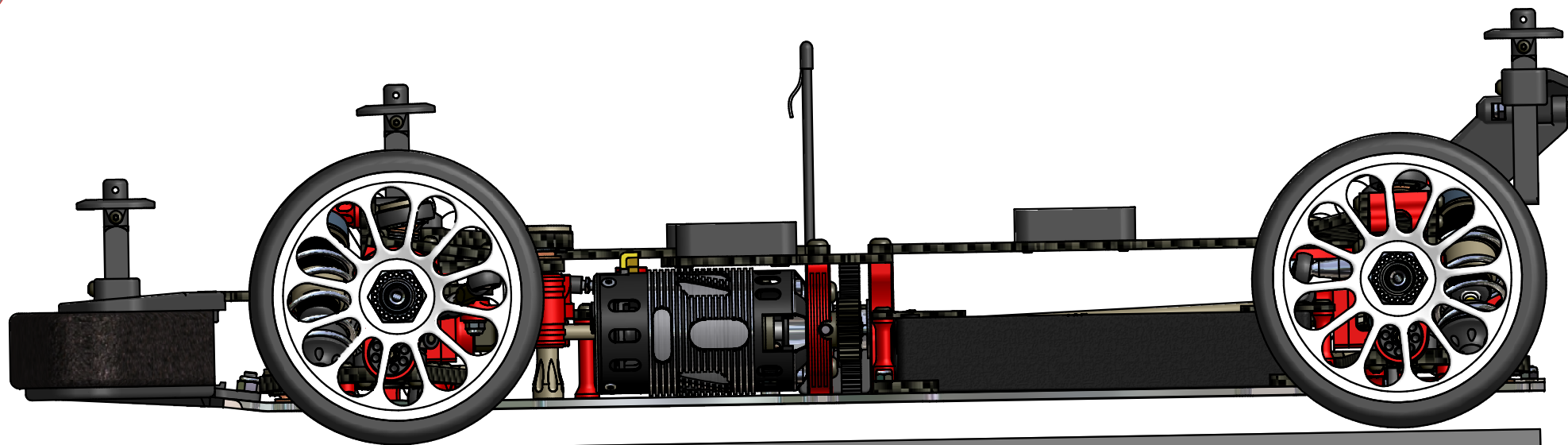




Step 11.5

- Final View -

Capricorn RC



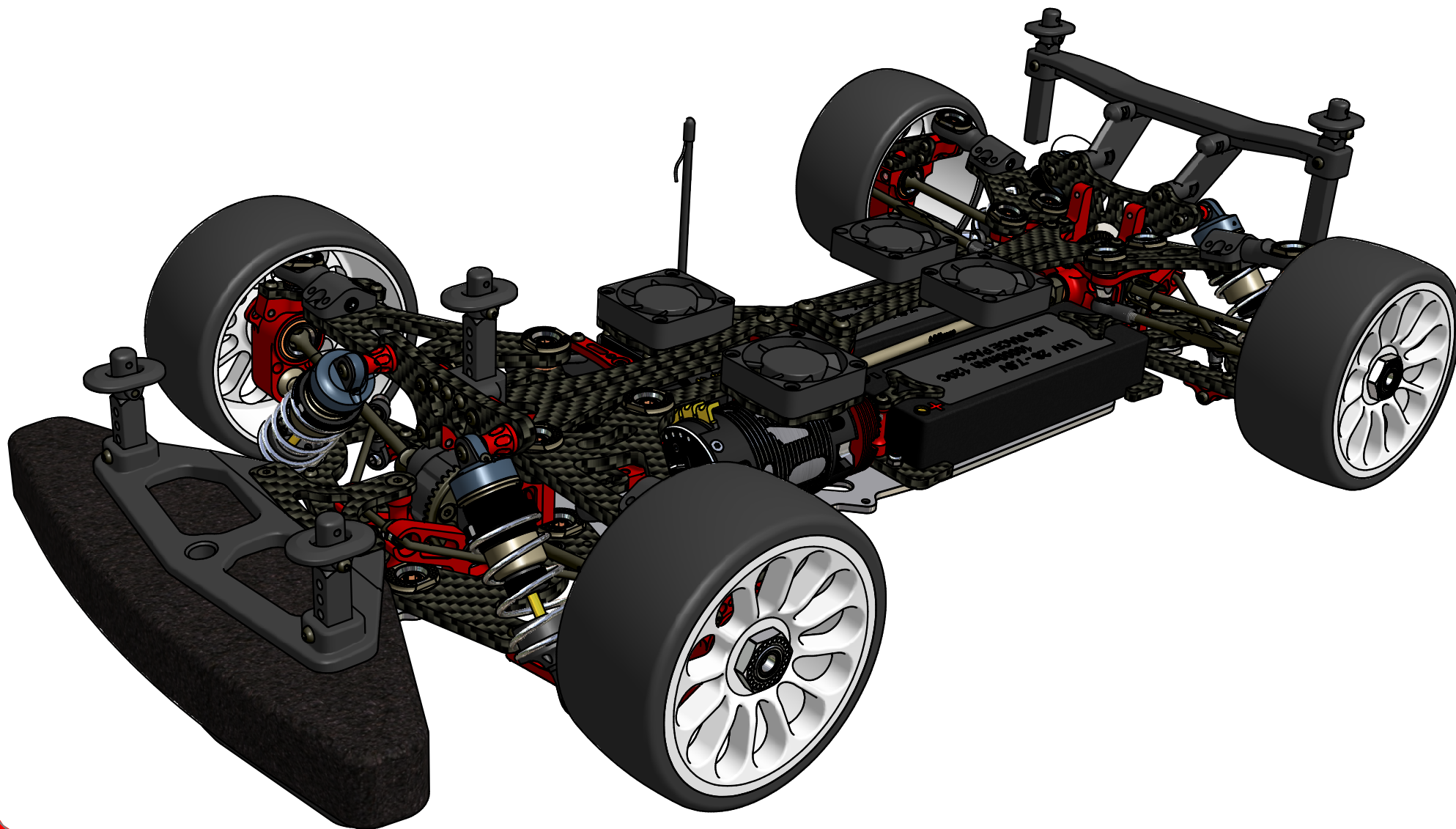
Made in Italy



Step 11.6

- Final View -

Capricorn RC



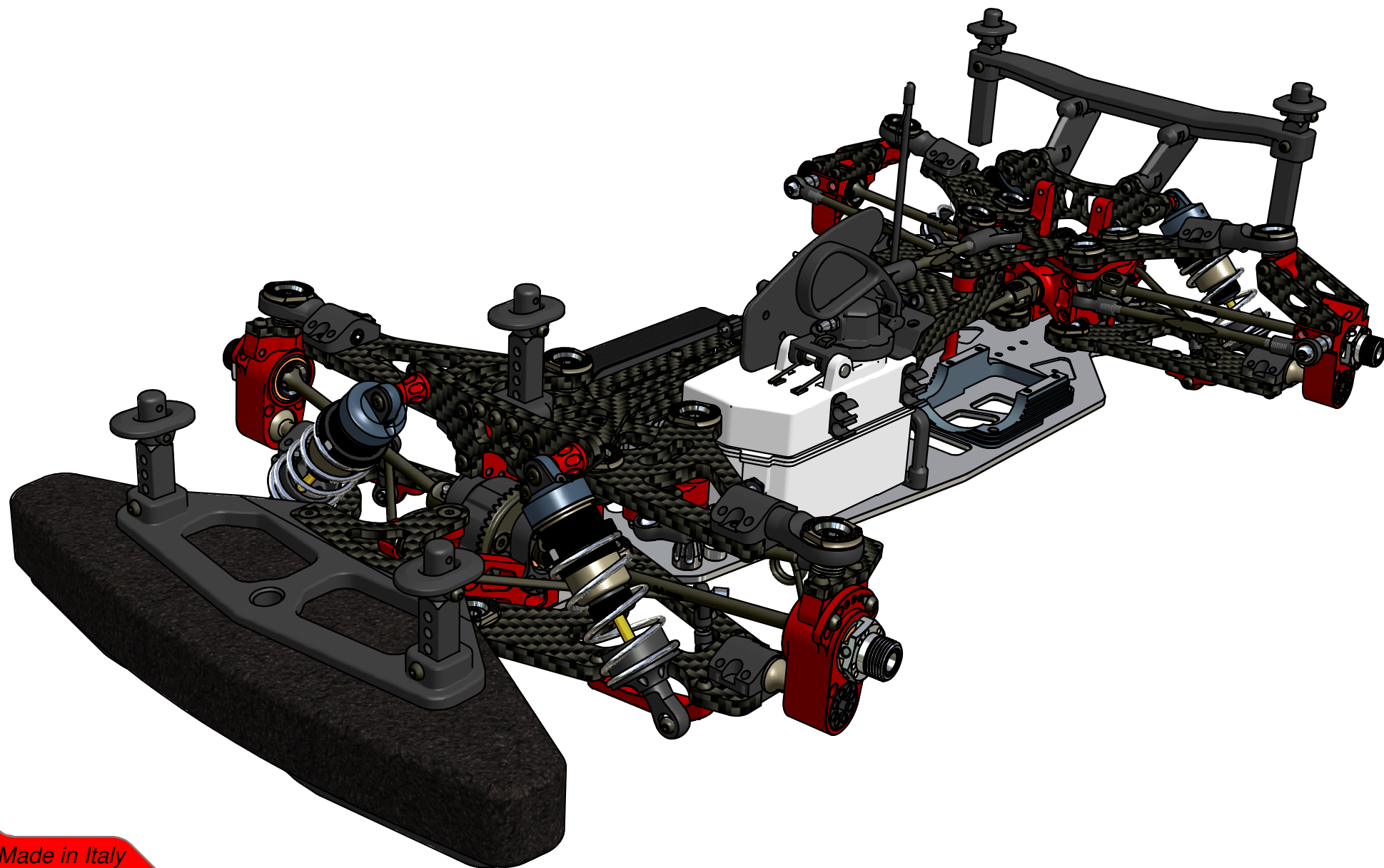
Made in Italy



Step 11.6 GP

- GP Final View -

Capricorn RC



Made in Italy





# GT2 EP DEFAULT SET-UP SHEET *Capricorn RC*

RACE	<input type="text"/>	DATE	<input type="text"/>
TRACK	<input type="text"/>	QUALIFYING POSITION	<input type="text"/>
NAME	<input type="text"/>	BEST LAP	<input type="text"/> /sec
CITY/ COUNTRY	<input type="text"/>	RACE POSITION	<input type="text"/>
CONTACT	<input type="text"/>	RACE LENGTH	<input type="text"/> /min

TRACK SURFACE	<input type="checkbox"/> ASPHALT
TRACK LAYOUT	<input type="checkbox"/> TECHNICAL <input checked="" type="checkbox"/> MIXED <input type="checkbox"/> FAST
TRACTION	<input type="checkbox"/> LOW <input checked="" type="checkbox"/> MEDIUM <input type="checkbox"/> HIGH

AXLE POSITION	CASTER	ACK POS.	TURBO	TURBO DELAY
<input type="text"/> 0 /+4 <input type="text"/> +4 FRONT                  REAR	<input type="text"/> 7 deg	<input checked="" type="checkbox"/> 1 1 2 3 4 5	<input type="text"/> 10 %	<input type="text"/> 0,3 /sec

FRONT	<b>TIRES</b>	REAR
<input type="text"/>	BRAND	<input type="text"/>
<input type="text"/>	TYPE	<input type="text"/>
<input type="text"/>	PRE RUN T.	<input type="text"/>
<input type="text"/>	TRACK WIDTH	<input type="text"/>
THERMAL FEEDBACK AREA		

BOOST SETTING
<input checked="" type="checkbox"/> LOW <input type="checkbox"/> MEDIUM <input type="checkbox"/> HIGH

GEARING
<input type="text"/> 23 /T <input type="text"/> 57 /T <input type="text"/> 3,308 PINION                  SPUR GEAR                  DRIVE RATIO

MOTOR	2800 KV 4 POLE
ESC	HW XERUN XR8 PRO G2
BATTERY	2 x 2S Li-Po HV 10000mA
BODY	BLITZ GT5 1mm

- NOTES -

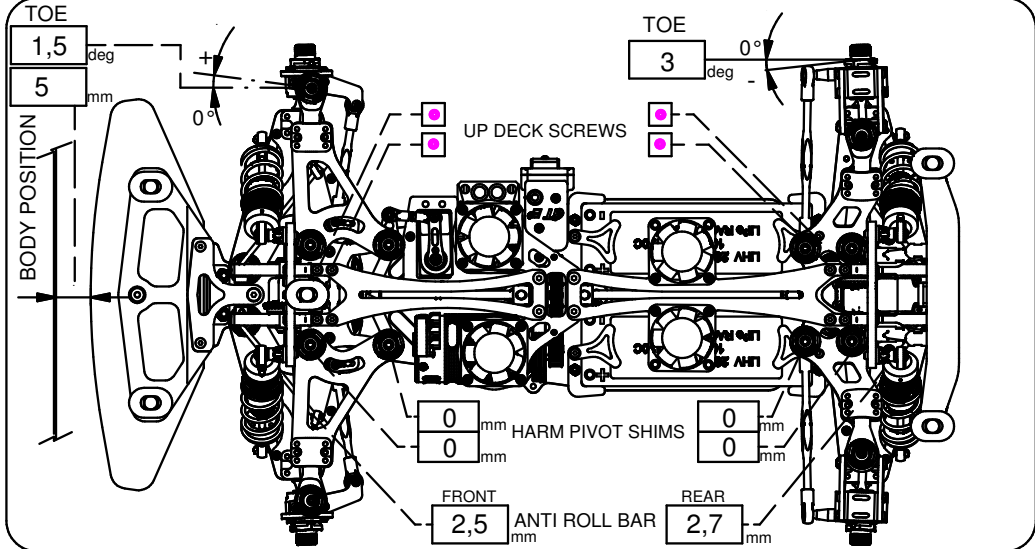
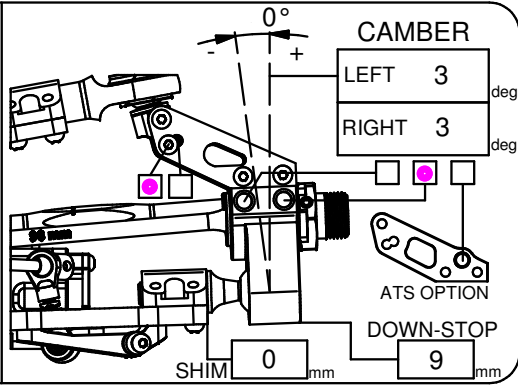
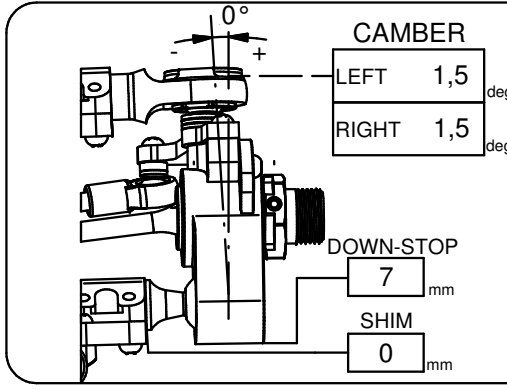
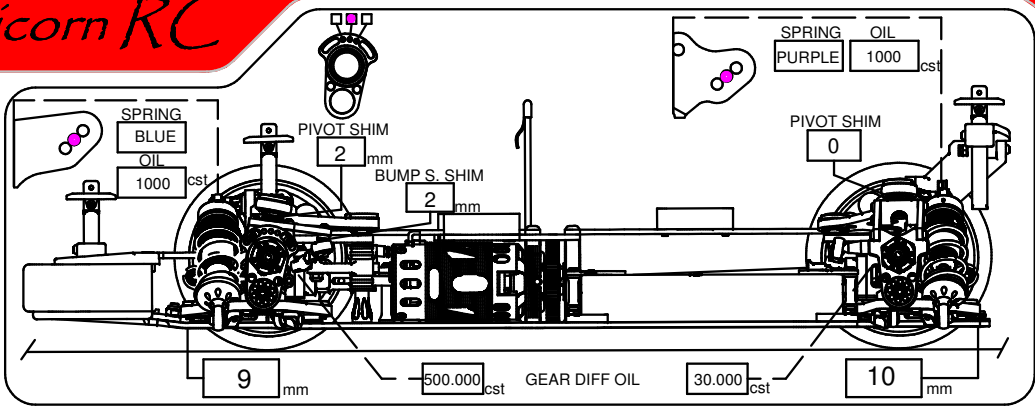
---



---



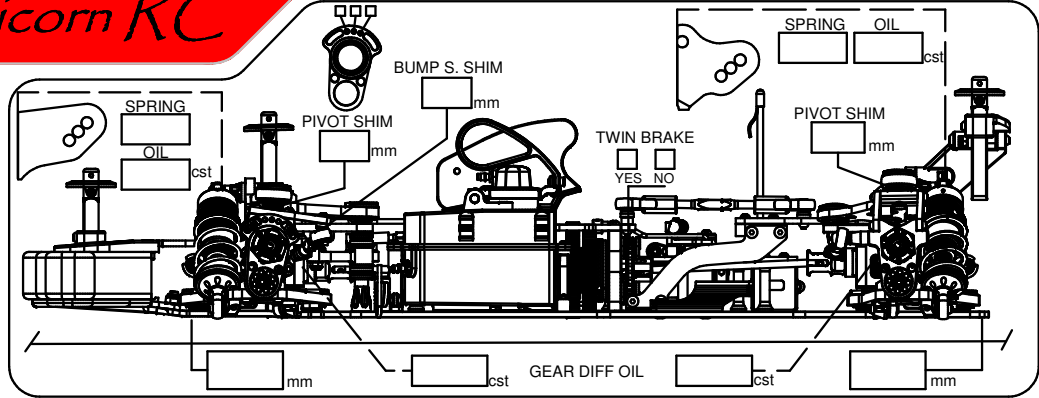
---



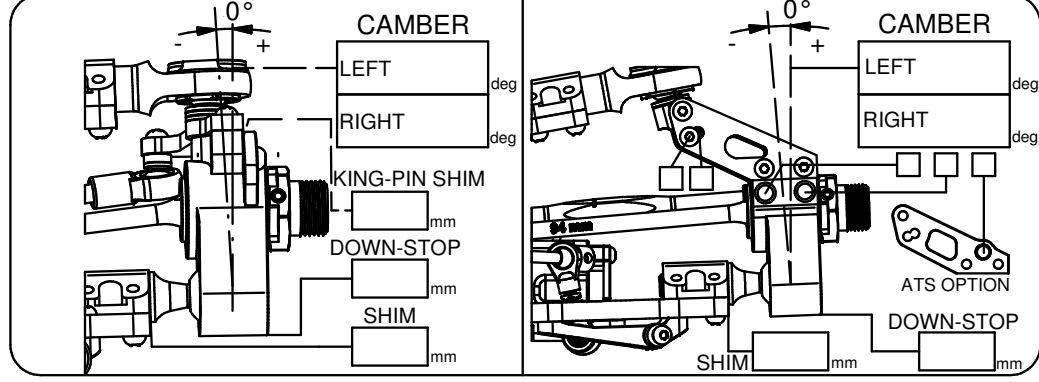
# GT2 GP BLANK SET-UP SHEET

Capricorn RC

RACE	<input type="text"/>	DATE	<input type="text"/>
TRACK	<input type="text"/>	QUALIFYING POSITION	<input type="text"/>
NAME	<input type="text"/>	BEST LAP	<input type="text"/> /sec
CITY/ COUNTRY	<input type="text"/>	RACE POSITION	<input type="text"/>
CONTACT	<input type="text"/>	RACE LENGTH	<input type="text"/> /min



TRACK SURFACE	<input type="checkbox"/> ASPHALT
TRACK LAYOUT	<input type="checkbox"/> TECHNICAL <input type="checkbox"/> MIXED <input type="checkbox"/> FAST
TRACTION	<input type="checkbox"/> LOW <input type="checkbox"/> MEDIUM <input type="checkbox"/> HIGH

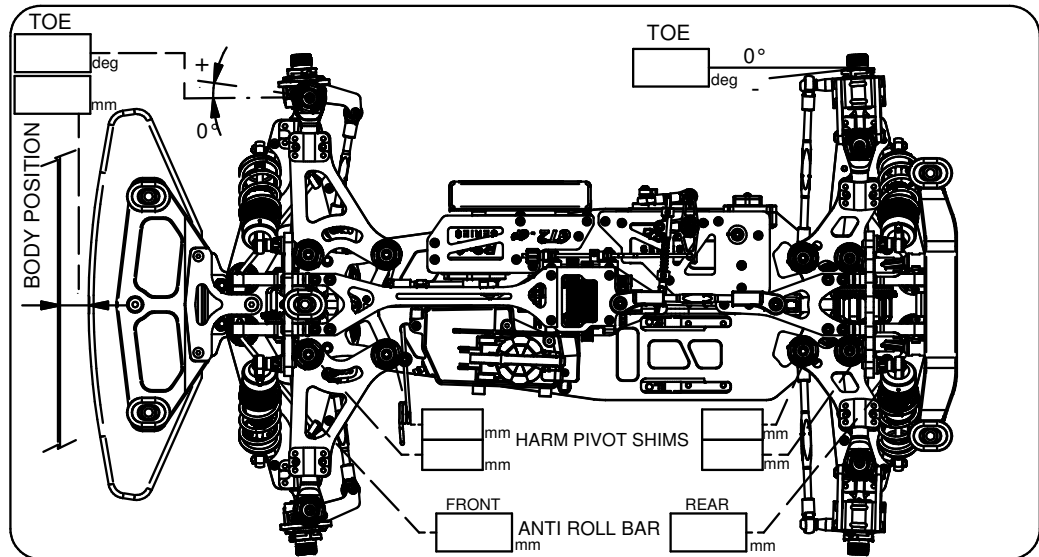


AXLE POSITION	CASTER	ACK POS.	ENGINE MOUNT
<input type="text"/> 0/+4 <input type="text"/>	<input type="text"/> deg	<input type="checkbox"/> 1 <input type="checkbox"/> 2 <input checked="" type="checkbox"/> 3 <input type="checkbox"/> 4 <input type="checkbox"/> 5	<input type="checkbox"/> STD <input type="checkbox"/> OPTION
FRONT REAR			

FRONT	TIRES	REAR
<input type="text"/>	BRAND	<input type="text"/>
<input type="text"/>	TYPE	<input type="text"/>
<input type="text"/>	PRE RUN T.	<input type="text"/>
<input type="text"/>	TRACK WIDTH	<input type="text"/>
THERMAL FEEDBACK AREA		

GEARING		
1 ST <input type="text"/> /T	<input type="text"/> /T	
2 ST <input type="text"/> /T	<input type="text"/> /T	DRIVE RATIO
PINION	SPUR GEAR	

ENGINE	<input type="text"/>
MANIFOLD	<input type="text"/>
CLUTCH	Type <input type="text"/> Spring <input type="text"/> Spring preload <input type="text"/> mm
BODY	<input type="text"/>
WING	Type <input type="text"/> Position <input type="text"/> mm



- NOTES -

---



---



---

# GT2 GP DEFAULT SET-UP SHEET *Capricorn RC*

RACE	<input type="text"/>	DATE	<input type="text"/>
TRACK	<input type="text"/>	QUALIFYING POSITION	<input type="text"/>
NAME	<input type="text"/>	BEST LAP	<input type="text"/> /sec
CITY/ COUNTRY	<input type="text"/>	RACE POSITION	<input type="text"/>
CONTACT	<input type="text"/>	RACE LENGTH	<input type="text"/> /min

TRACK SURFACE	<input type="checkbox"/> ASPHALT
TRACK LAYOUT	<input type="checkbox"/> TECHNICAL <input checked="" type="checkbox"/> MIXED <input type="checkbox"/> FAST
TRACTION	<input type="checkbox"/> LOW <input checked="" type="checkbox"/> MEDIUM <input type="checkbox"/> HIGH

AXLE POSITION	CASTER	ACK POS.	ENGINE MOUNT
<input type="text"/> 0 /+4 <input type="text"/> +4 FRONT                  REAR	<input type="text"/> 7 deg	<input checked="" type="checkbox"/> 1 <input type="checkbox"/> 2 <input checked="" type="checkbox"/> 3 <input type="checkbox"/> 4 <input type="checkbox"/> 5	<input checked="" type="checkbox"/> STD <input type="checkbox"/> OPTION

FRONT	TIRES	REAR
<input type="text"/>	BRAND	<input type="text"/>
<input type="text"/>	TYPE	<input type="text"/>
<input type="text"/>	PRE RUN T.	<input type="text"/>
<input type="text"/>	TRACK WIDTH	<input type="text"/>
THERMAL FEEDBACK AREA		

GEARING		
1 ST <input type="text"/> 18 /T	<input type="text"/> 62 /T	
2 ST <input type="text"/> 23 /T	<input type="text"/> 58 /T	<input type="text"/> 3,308
PINION	SPUR GEAR	DRIVE RATIO
ENGINE	<input type="text"/>	
MANIFOLD	<input type="text"/>	
CLUTCH	Type <input type="checkbox"/> Steel <input checked="" type="checkbox"/> Spring <input type="checkbox"/> XHard	Spring preload <input type="text"/> 0.5 mm
BODY	<input type="text"/>	
WING	Type <input type="text"/>	Position <input type="text"/>

- NOTES -

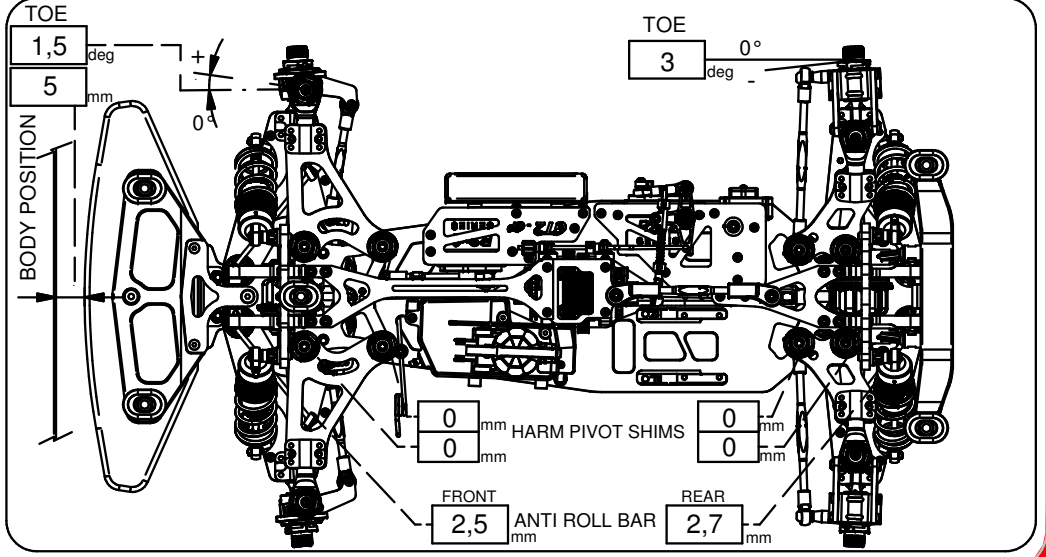
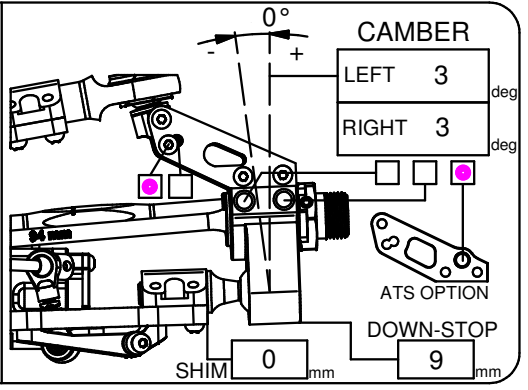
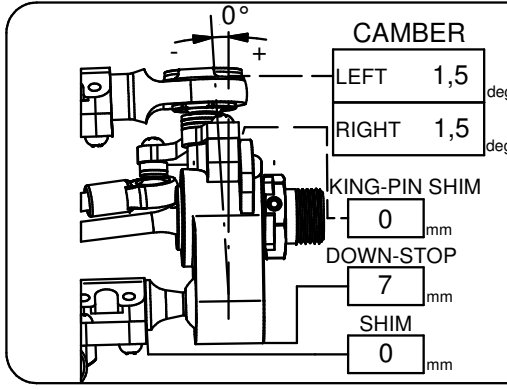
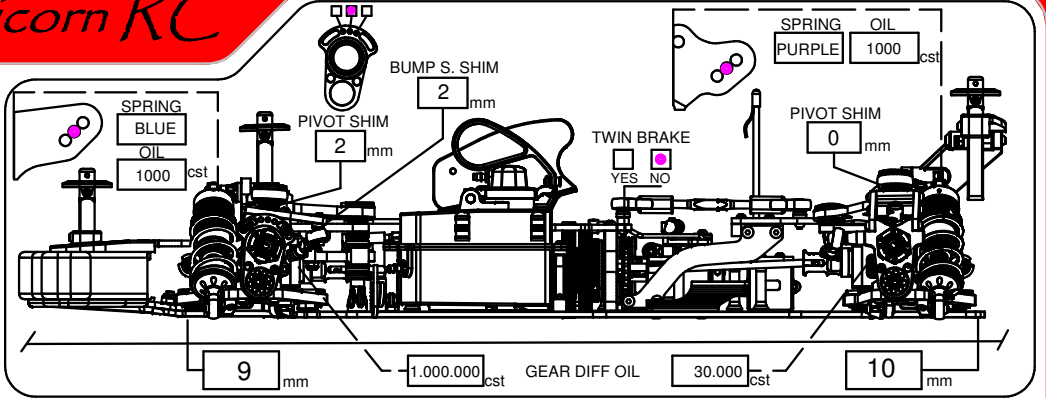
---



---



---



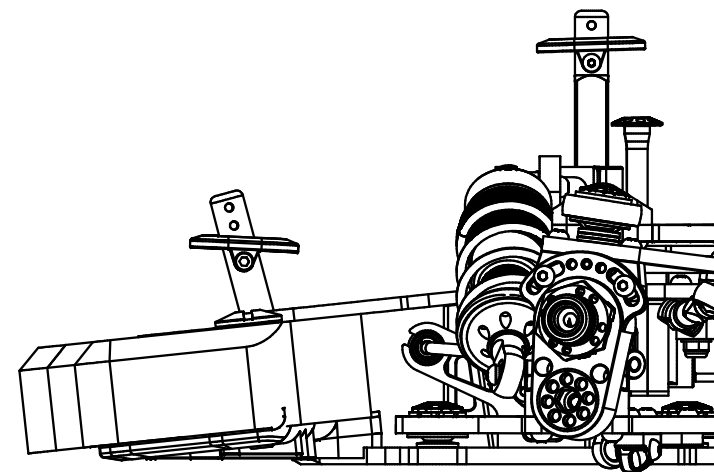
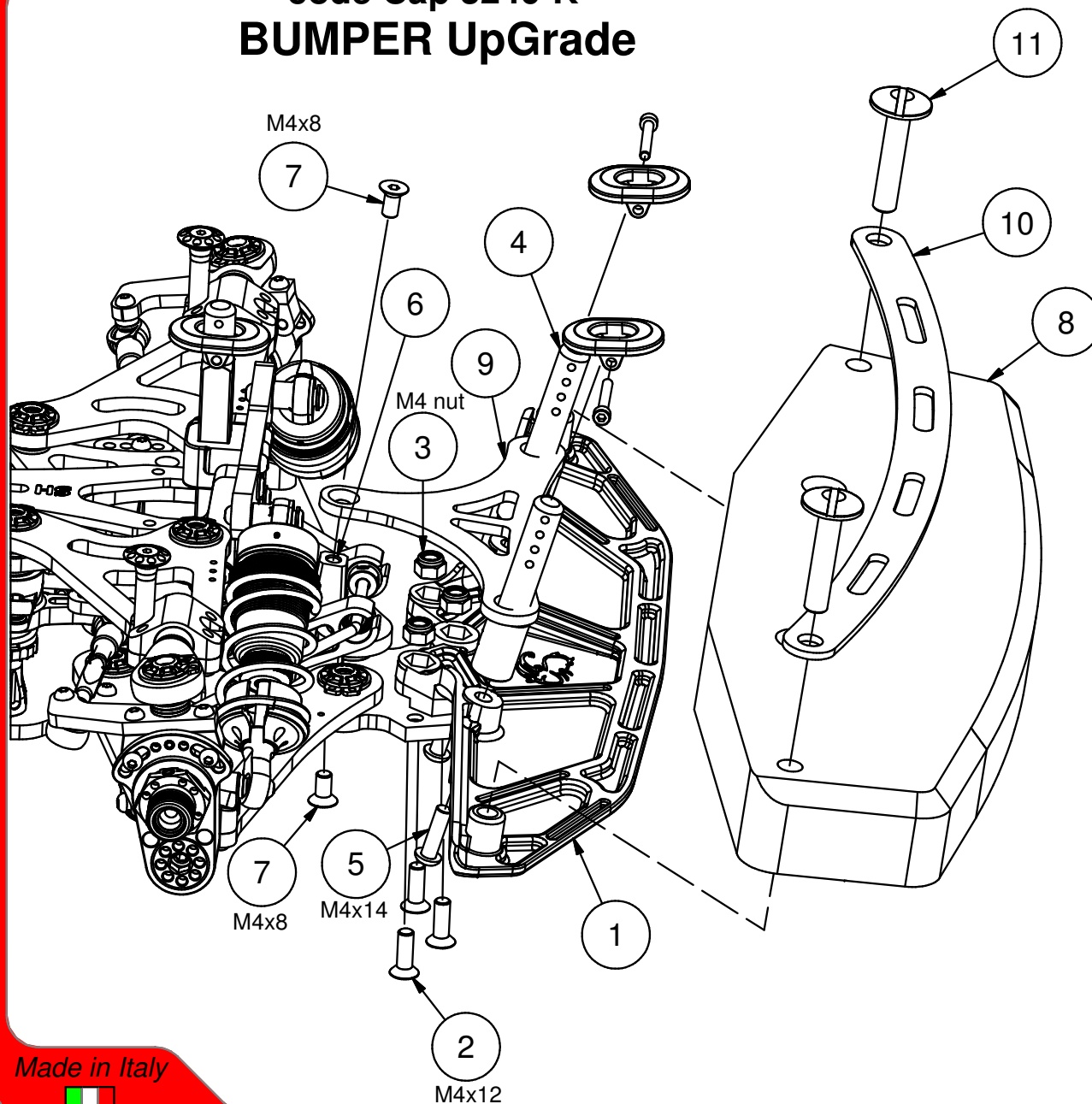
STEP A

# LabGT2 EP 2024

code Cap 3240-K  
BUMPER UpGrade

Capricorn RC

# L/R



Parts List

Rif.	n°	Code
1	1	Cap 2458-GT
2	3	Cap 2145
3	3	Cap 2112
4	2	Cap 3236
5	2	Cap 2397
6	1	Cap 3235
7	2	Cap 2146
8	1	Cap 3238
9	1	Cap 3239
10	1	Cap 3237
11	2	Cap 3244

Made in Italy

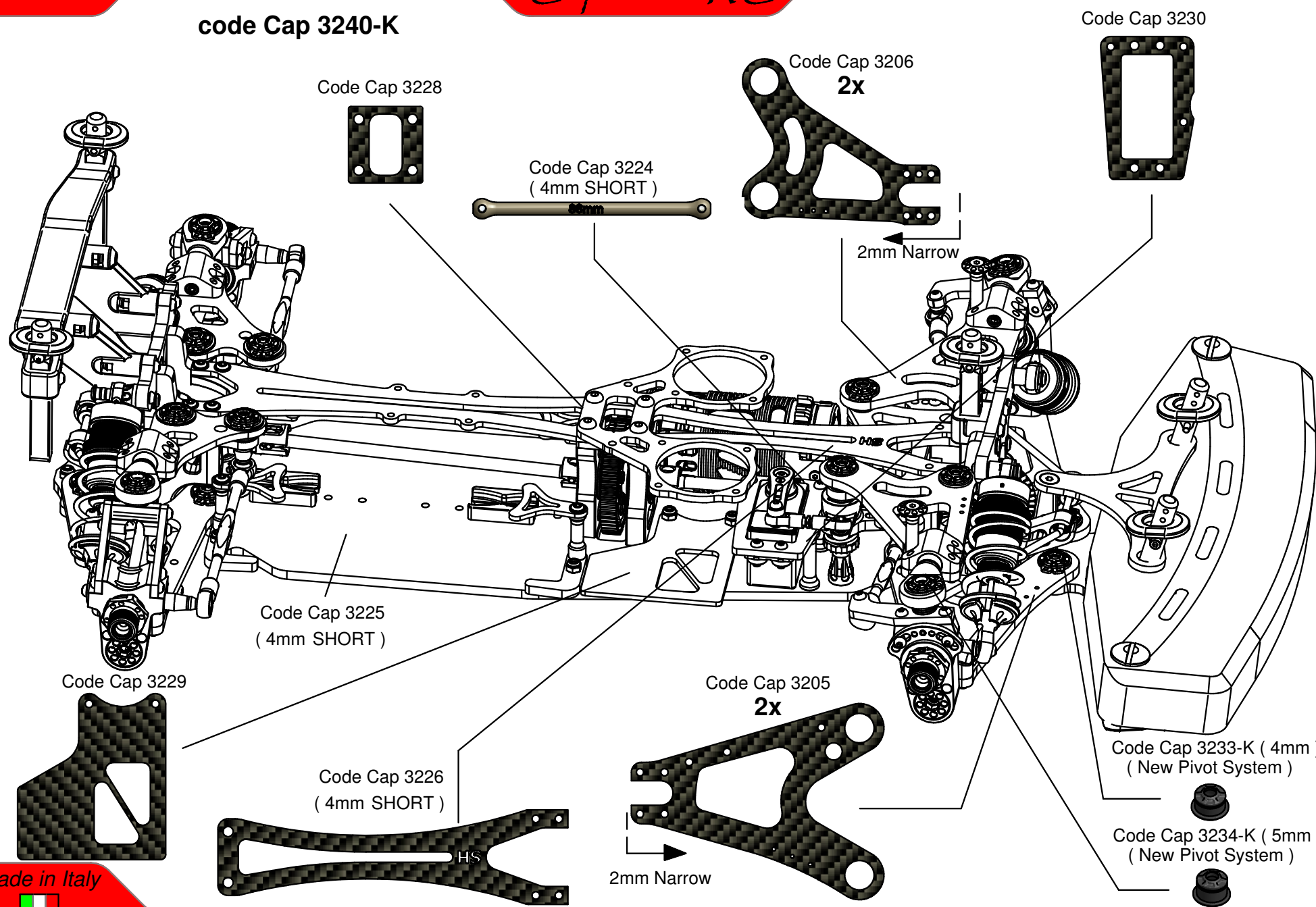




**STEP B**

**LABGT2 EP 2024**  
**code Cap 3240-K**

*Capricorn RC*



Made in Italy



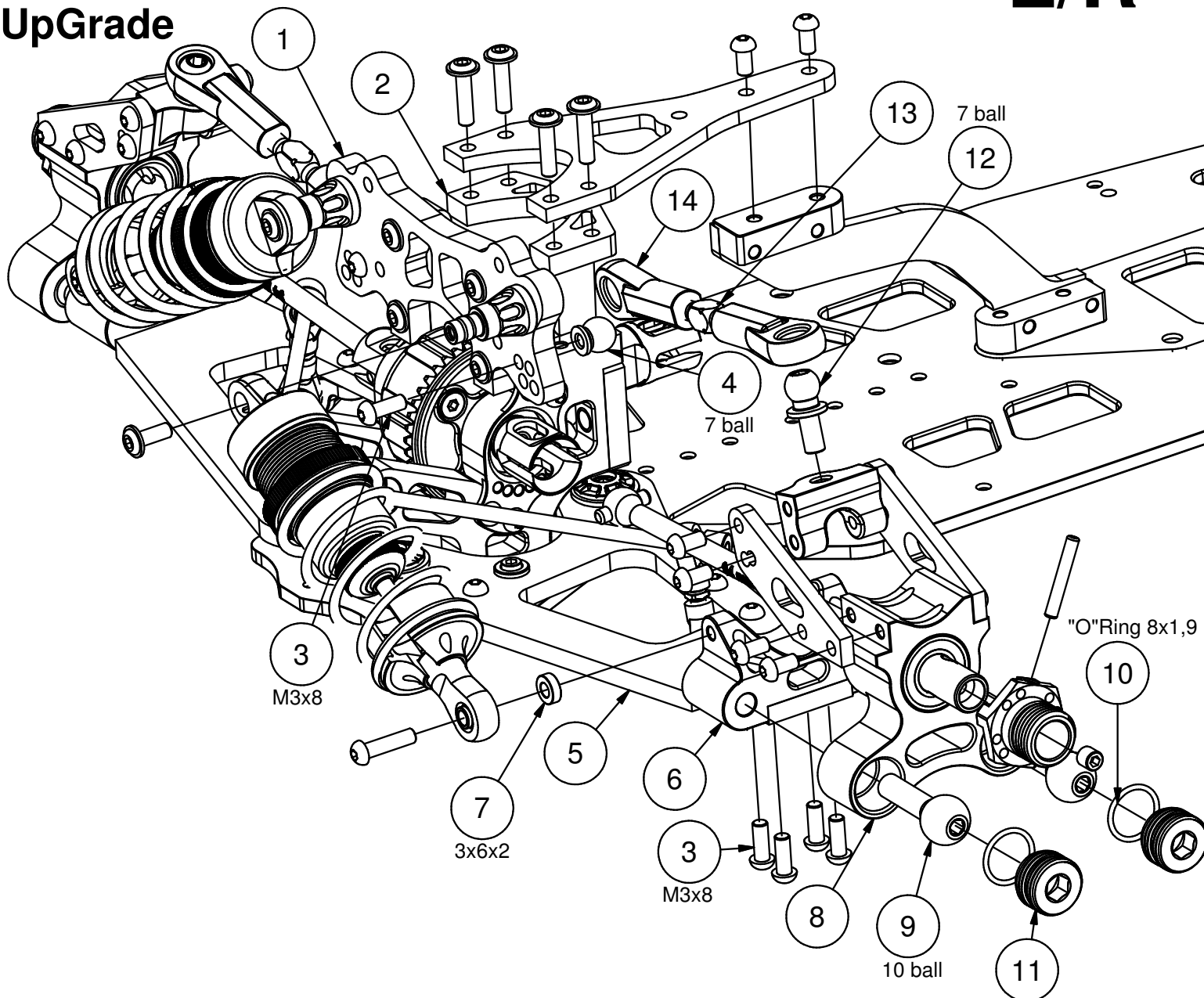
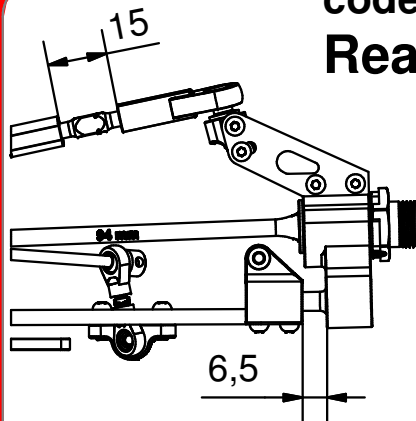
STEP A

# LabGT2 GP 2024

Capricorn RC

code Cap 3241-K  
Rear UpGrade

L/R



### Parts List

Rif.	n°	Code
1	1	Cap 3216
2	1	Cap 3215
3	10	Cap17032
4	2	Cap 2237
5	2	Cap 3212
6	2	Cap 3213
7	2	Cap22015
8	2	Cap 3219
9	4	Cap 3220
10	4	Cap 3222
11	4	Cap 3221
12	2	Cap 3223
13	2	Cap 3217
14	4	Cap 3218

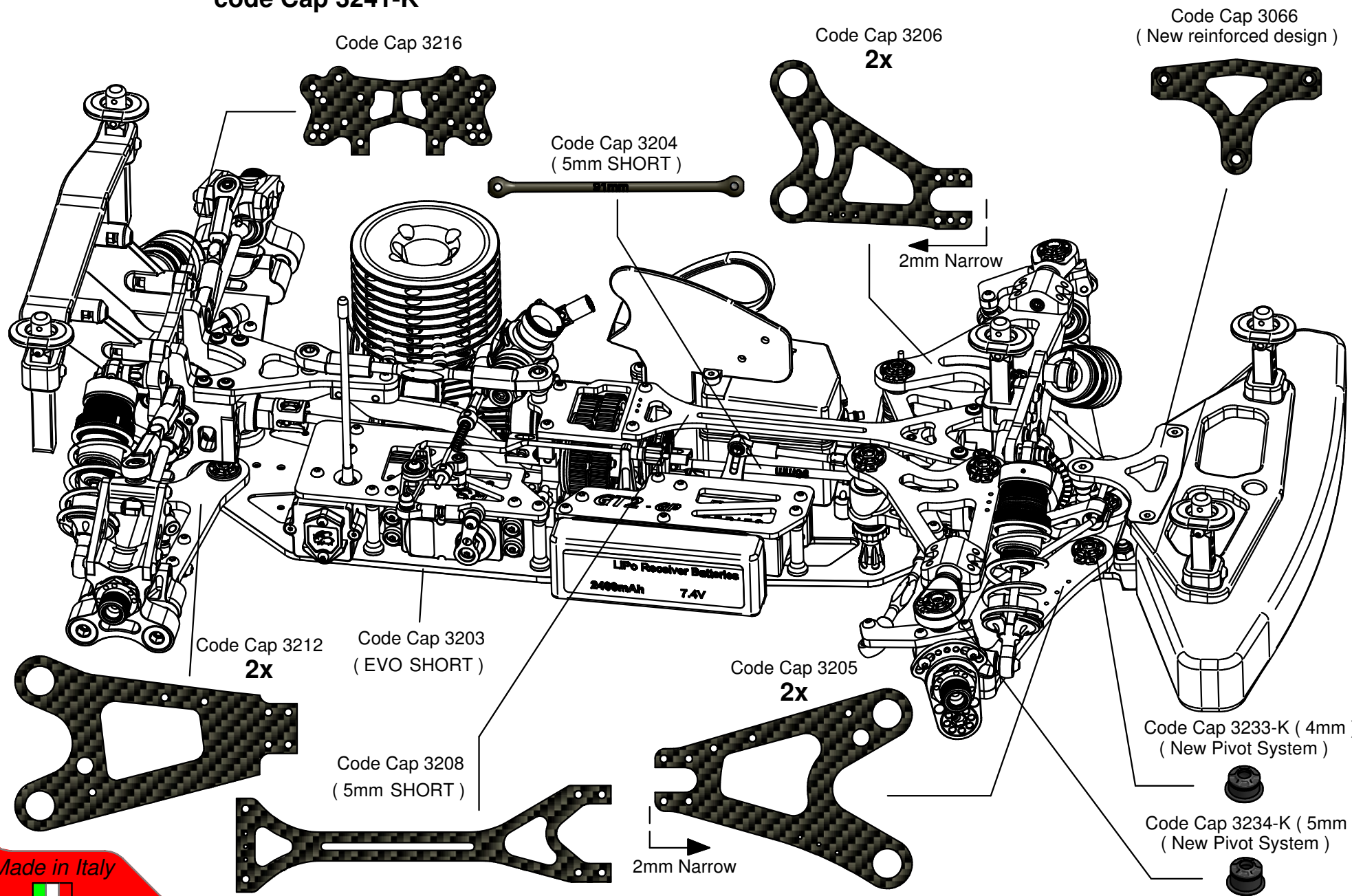
Made in Italy



**STEP B**

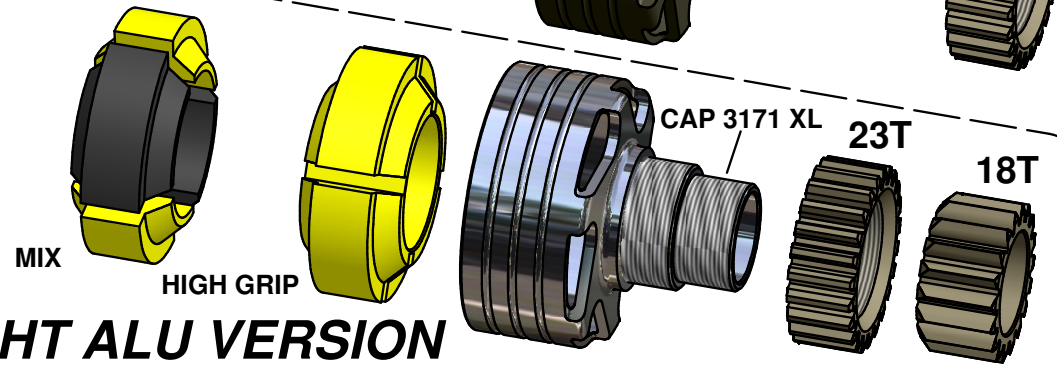
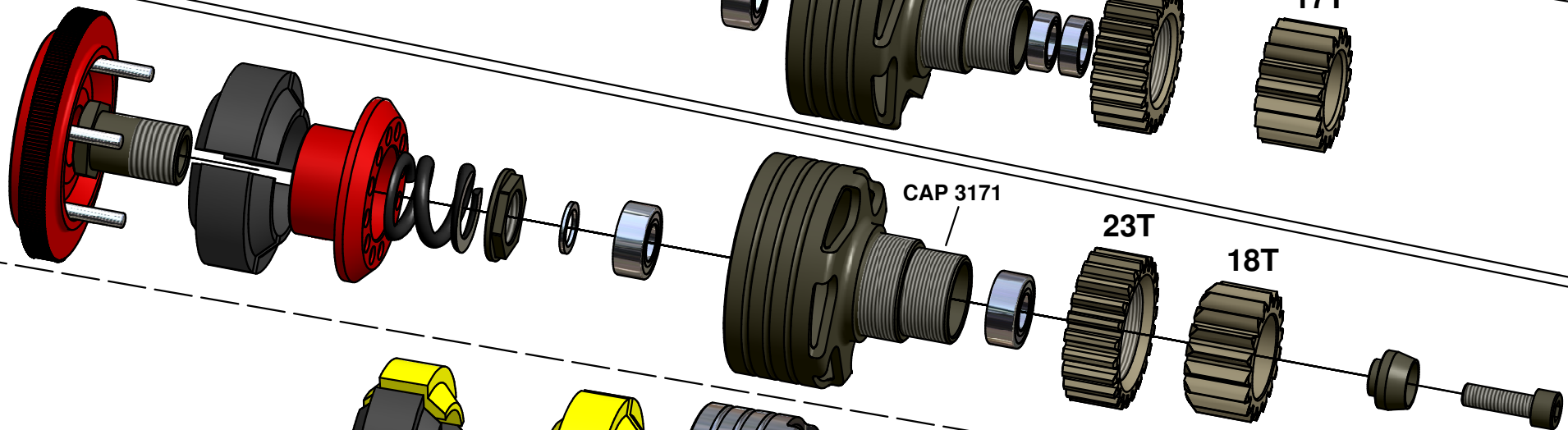
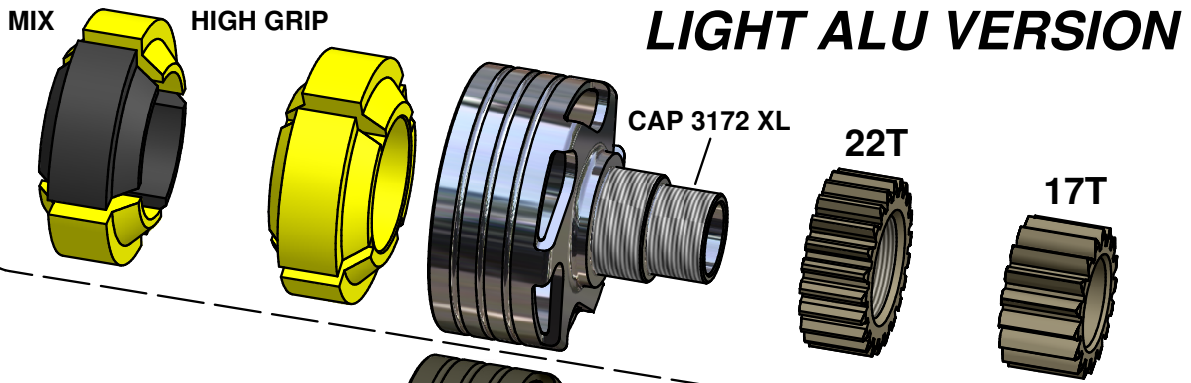
**LABGT2 GP 2024**  
**code Cap 3241-K**

*Capricorn RC*



**- Clutch table -** *Capricorn RC*

**SHORT GEAR  
OPTION**



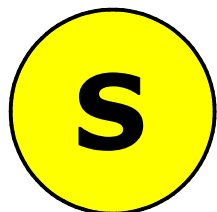
**LONG GEAR  
GT2 KIT BASE**

# GT Tyres Table *Capricorn RC*



**SOFT**

Code ONE - 90508



**"G" Type**



**H.SOFT**

Code ONE - 90510



**"F" Type**



**S.SOFT**

Code ONE - 90507

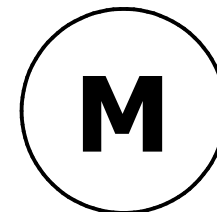


**"E" Type**



**MEDIUM**

Code ONE - 90509

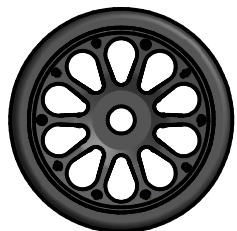


**"I" Type**

Made in Italy



# GT Tyres Table *Capricorn RC*

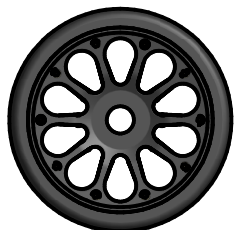


**S.SOFT**

*Iper Higher Grip*



*22 min. RUN*

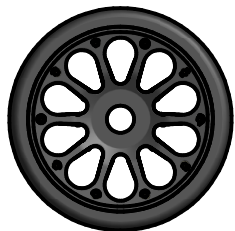


**HEAVY SOFT**

*Super Higher Grip*



*35 min. RUN*

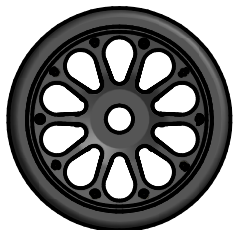


**SOFT**

*Higher Grip*

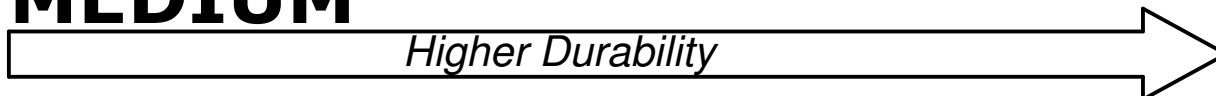


*50 min. RUN*



**MEDIUM**

*Higher Durability*



*90 min. RUN*

Made in Italy

