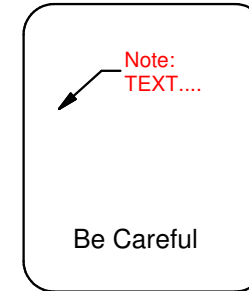
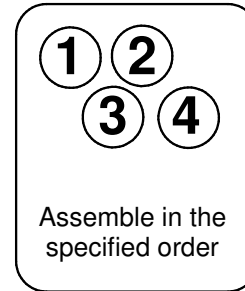
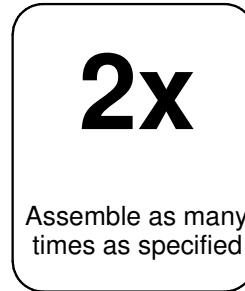
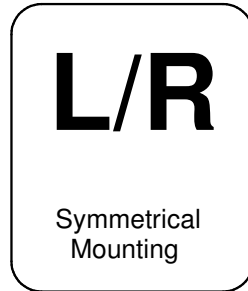


LabC804 SL / **R** Instruction Manual rel. 1.7(10/2023)

- Symbols -

*Capricorn RC*



## **WARNING**

This radio control model is not toy.

First time builders should seek the advice of experienced modellers before beginning assembly and/or if they do not fully understand any part of the construction. We highly advise to read the instruction manual before assembly, and to always keep it at hand for reference. Take care before operating this model; you are responsible for its assembly and safe operation. The extreme performance of this model could be underestimated by inexperienced drivers and could damage objects and/or people. Assembly this kit only in places out of children's reach!

CAPRICORN RC is not responsible for any damage or harm caused by improper use or assembly.

CAPRICORN RC and its distribution network are not responsible for any damage caused by shipping or handling.

Eventual parts missing from the kit or flawed must be reported within two weeks of purchase to your local hobby shop or distributor. For best performance, we highly advise to only use original authentic CAPRICORN RC parts.

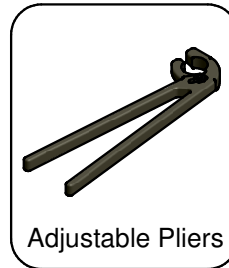
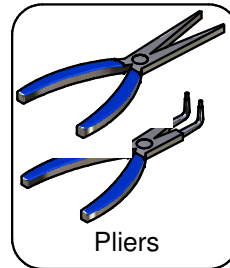
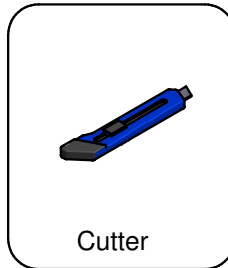
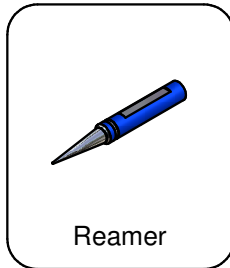
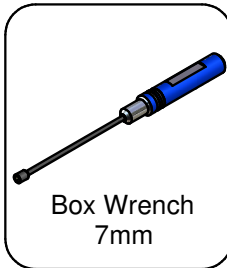
For customer support and service please contact your local hobby shop or agent from whom you purchased this item.

Contents of box may slightly differ from the pictures shown. Construction tools, body, fuel, radio system and servo, engine, muffler and battery pack are **NOT INCLUDED** unless otherwise stated.

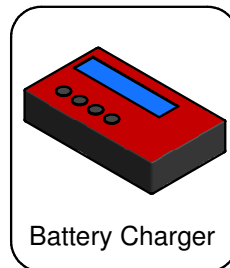
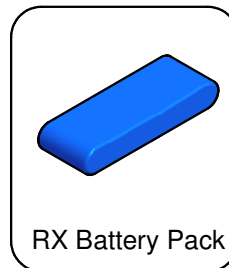
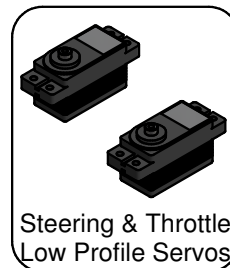
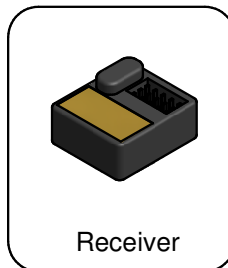
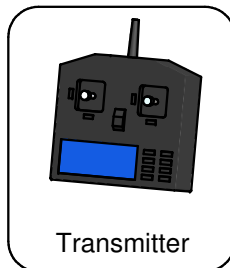
Made in Italy



## *Tools needed for assembly (NOT INCLUDED)*



## *Parts for model completion and Start (NOT INCLUDED)*

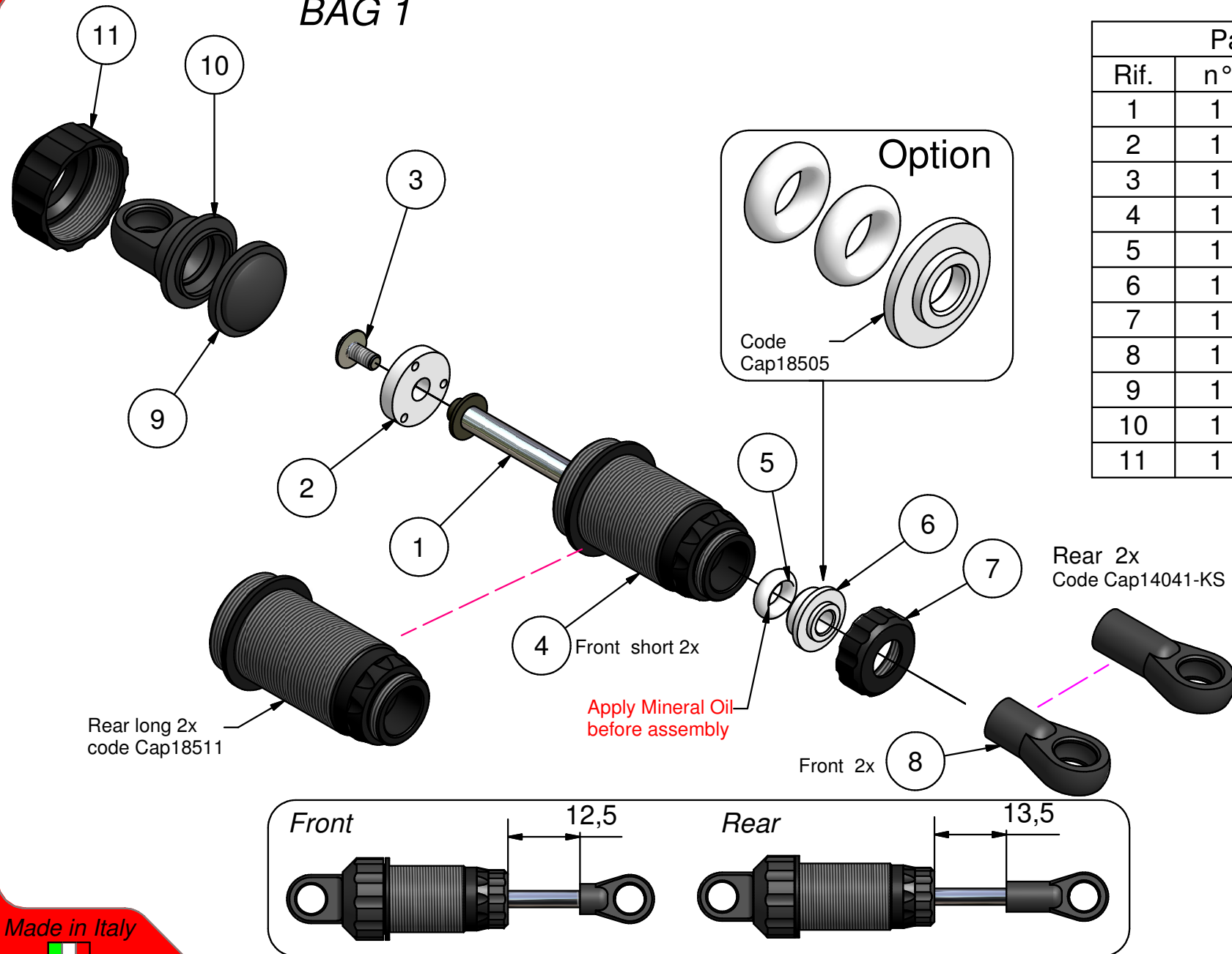


Also required: Starting Box - Nitro fuel - Fuel bottle - Glower - PLYCARBONAT body

# Step 1.0 - V3 Shock Damper - BAG 1

Capricorn RC

4x



Parts List		
Rif.	n°	Code
1	1	Cap18510-L
2	1	Cap18509-3
3	1	Cap18507
4	1	Cap18508
5	1	Cap29252
6	1	Cap18504
7	1	Cap18502
8	1	Cap14043-KS
9	1	Cap14033-6
10	1	Cap14036
11	1	Cap16085-B

Silicon Oil #600

Made in Italy

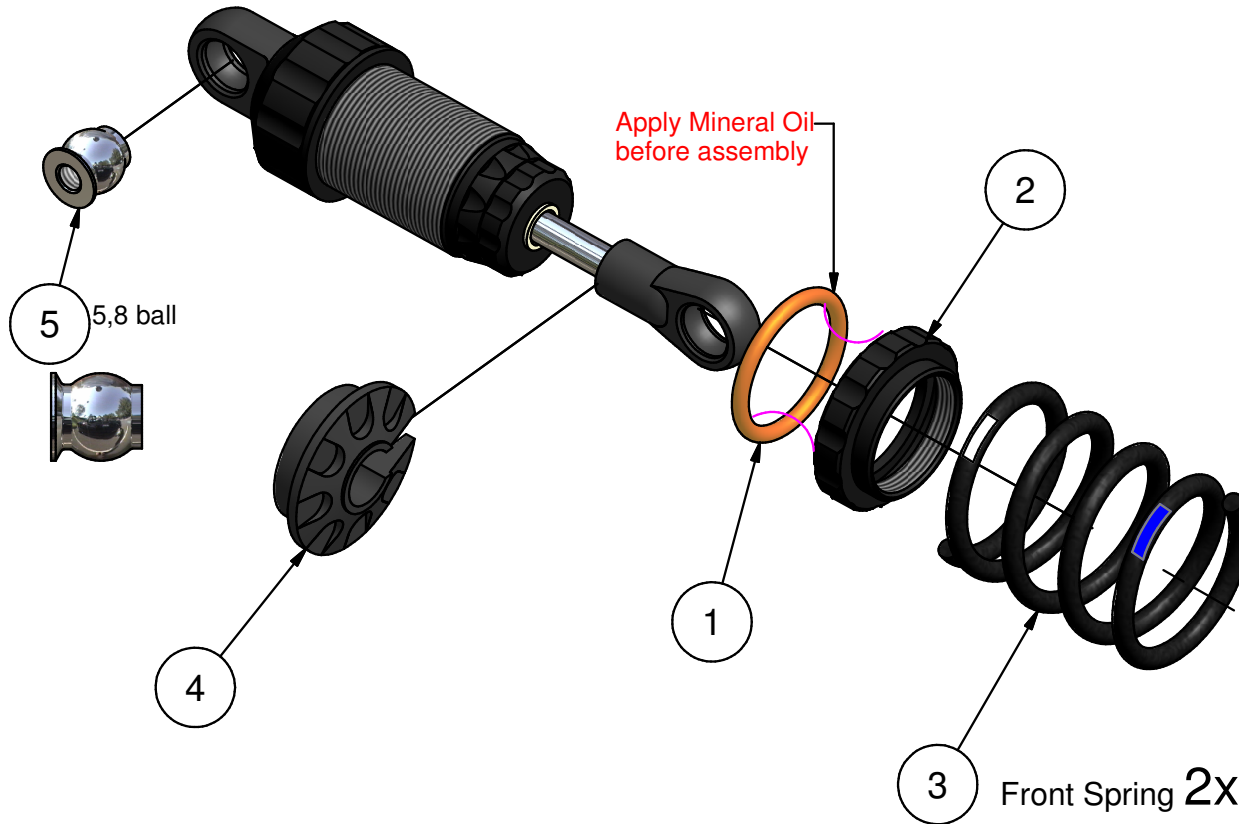


# Step 1.1

## - Shock Damper - BAG 1

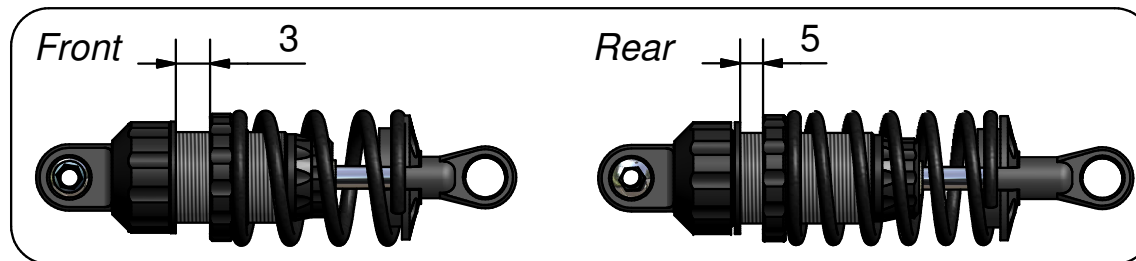
Capricorn RC

4x



Parts List		
Rif.	n°	Code
1	1	Cap171215
2	1	Cap16027
3	1	Cap16030B
4	1	Cap14030
5	1	Cap18169

Rear Spring 2X  
Code Cap16098R



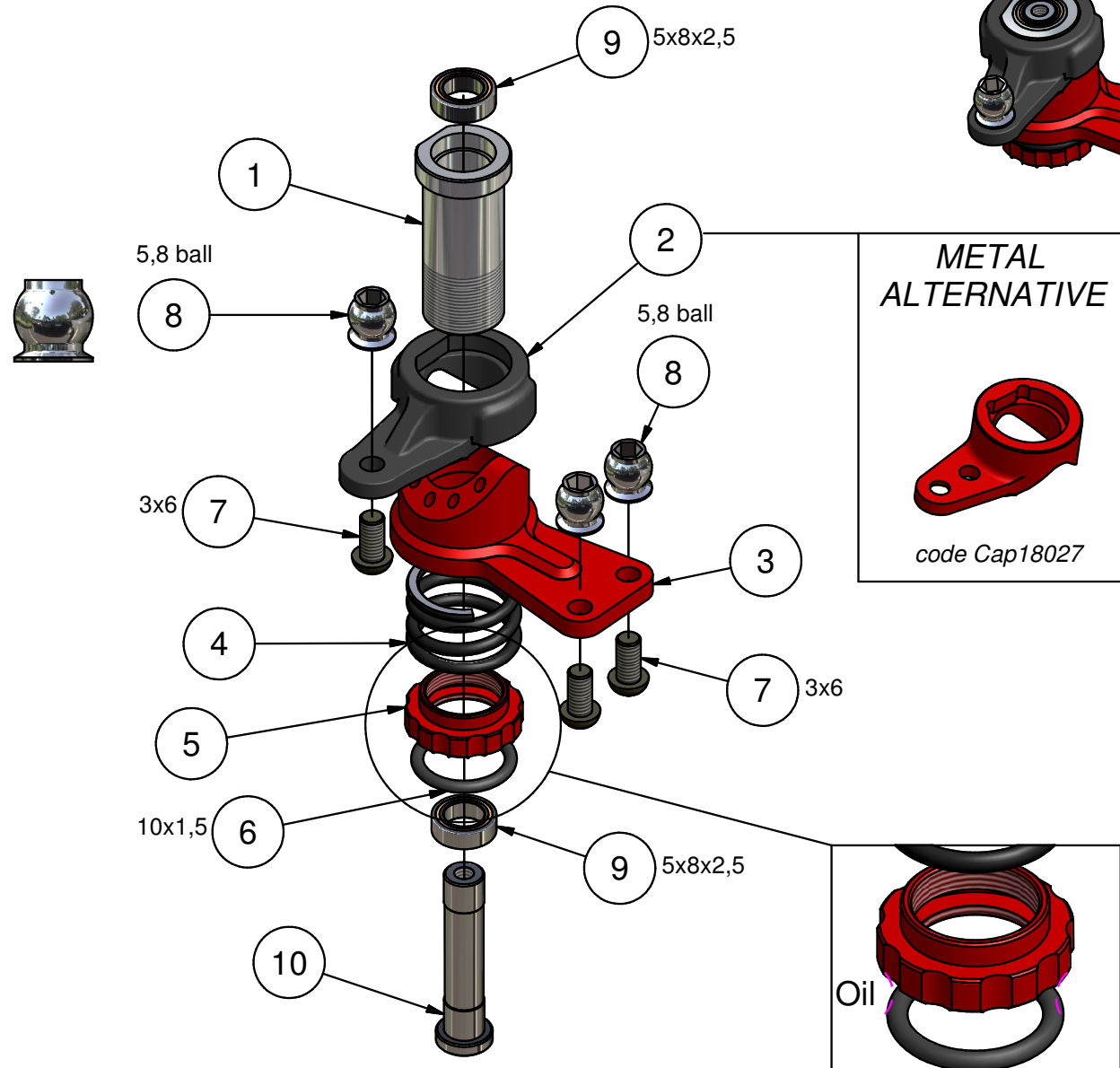
Made in Italy



# Step 2.0

## - Servo Saver - BAG 2

Capricorn RC



0,5:1,0mm Spring preload

Parts List		
Rif.	n°	Code
1	1	Cap16014
2	1	Cap18093
3	1	Cap 2434
4	1	Cap16033
5	1	Cap16028
6	1	Cap171015
7	3	Cap17030
8	3	Cap18169
9	2	Cap16019
10	1	Cap16055

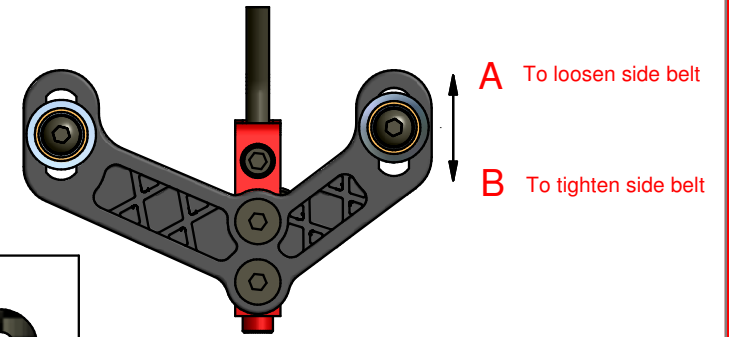
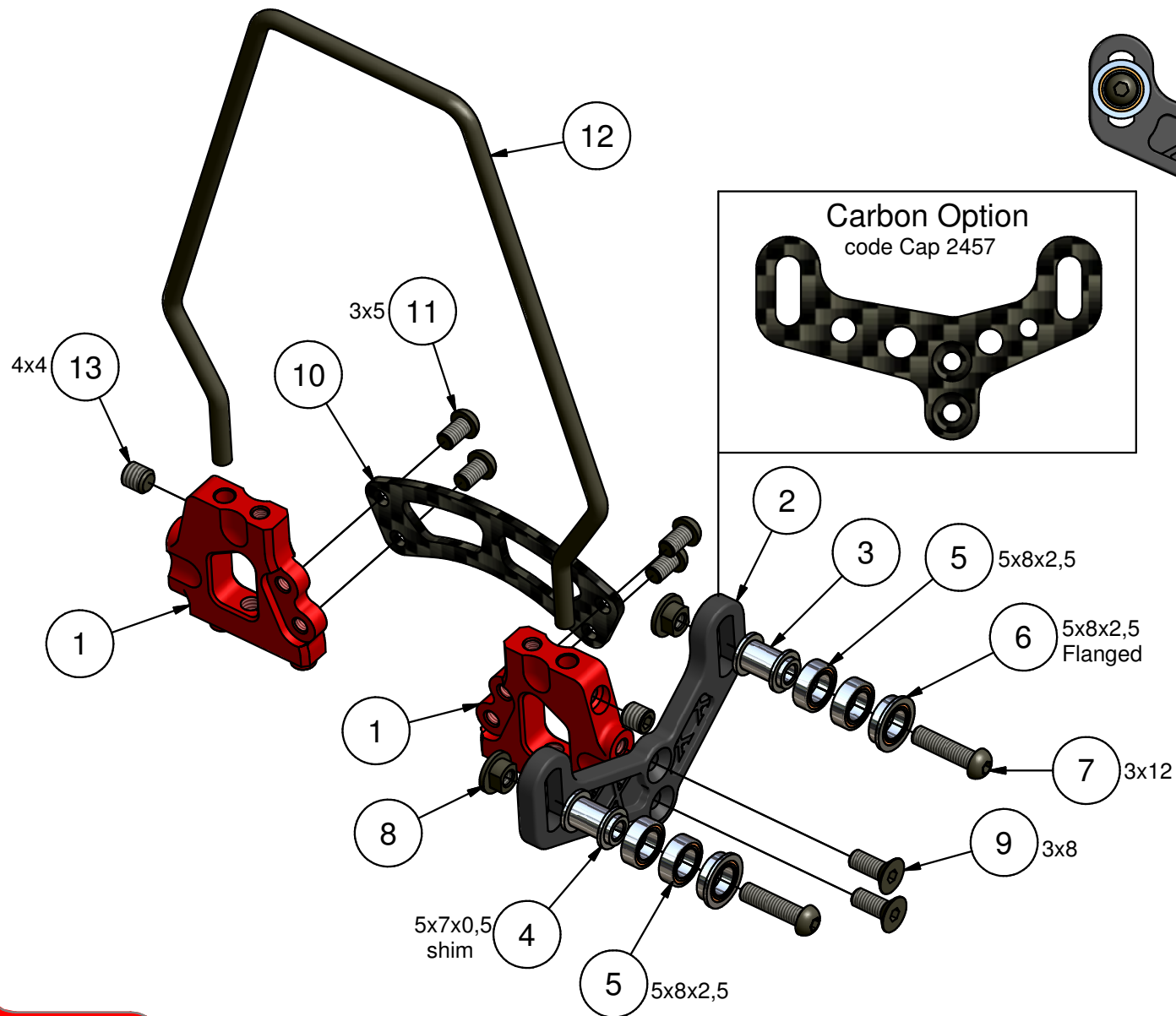
Made in Italy



# Step 3.0

## - Belt Tensioner Set - BAG 3

Capricorn RC



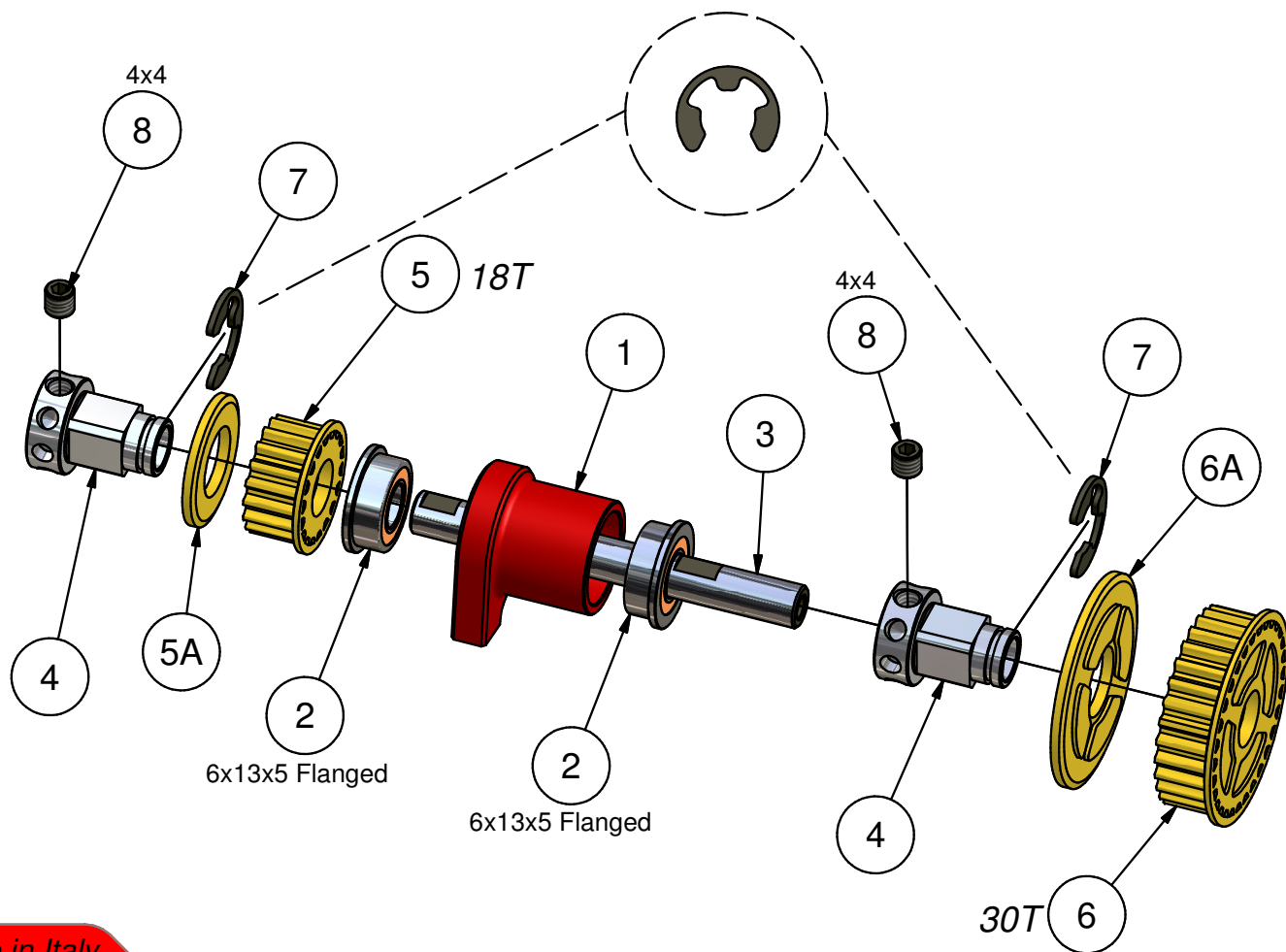
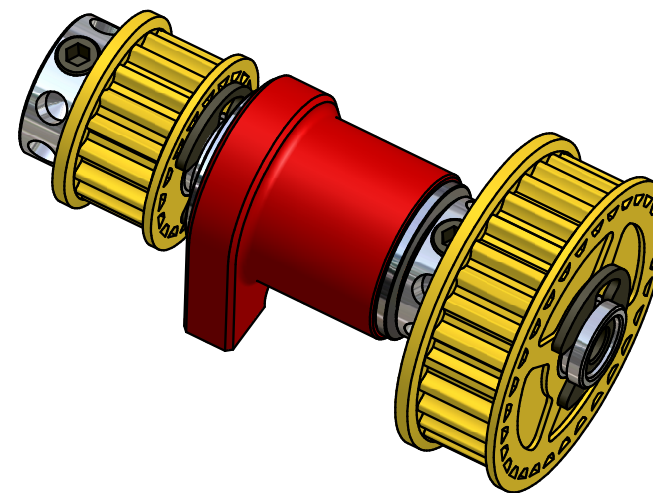
Parts List		
Rif.	n°	Code
1	2	Cap 2421
2	1	Cap 2461
3	2	Cap16012
4	2	Cap 434
5	4	Cap16019
6	2	Cap18082
7	2	Cap17026
8	2	Cap15010
9	2	Cap17031
10	1	Cap 2459
11	4	Cap 2235
12	1	Cap 2105
13	2	Cap17010

Made in Italy



# Step 4.0 - Middle Shaft Holder - BAG 4

Capricorn RC



Parts List		
Rif.	n°	Code
1	1	Cap 2497
2	2	Cap18206
3	1	Cap 2021
4	2	Cap 2119
5	1	Cap 2099-K
6	1	Cap 2103-30-K
7	2	Cap 2006
8	2	Cap17010

Made in Italy

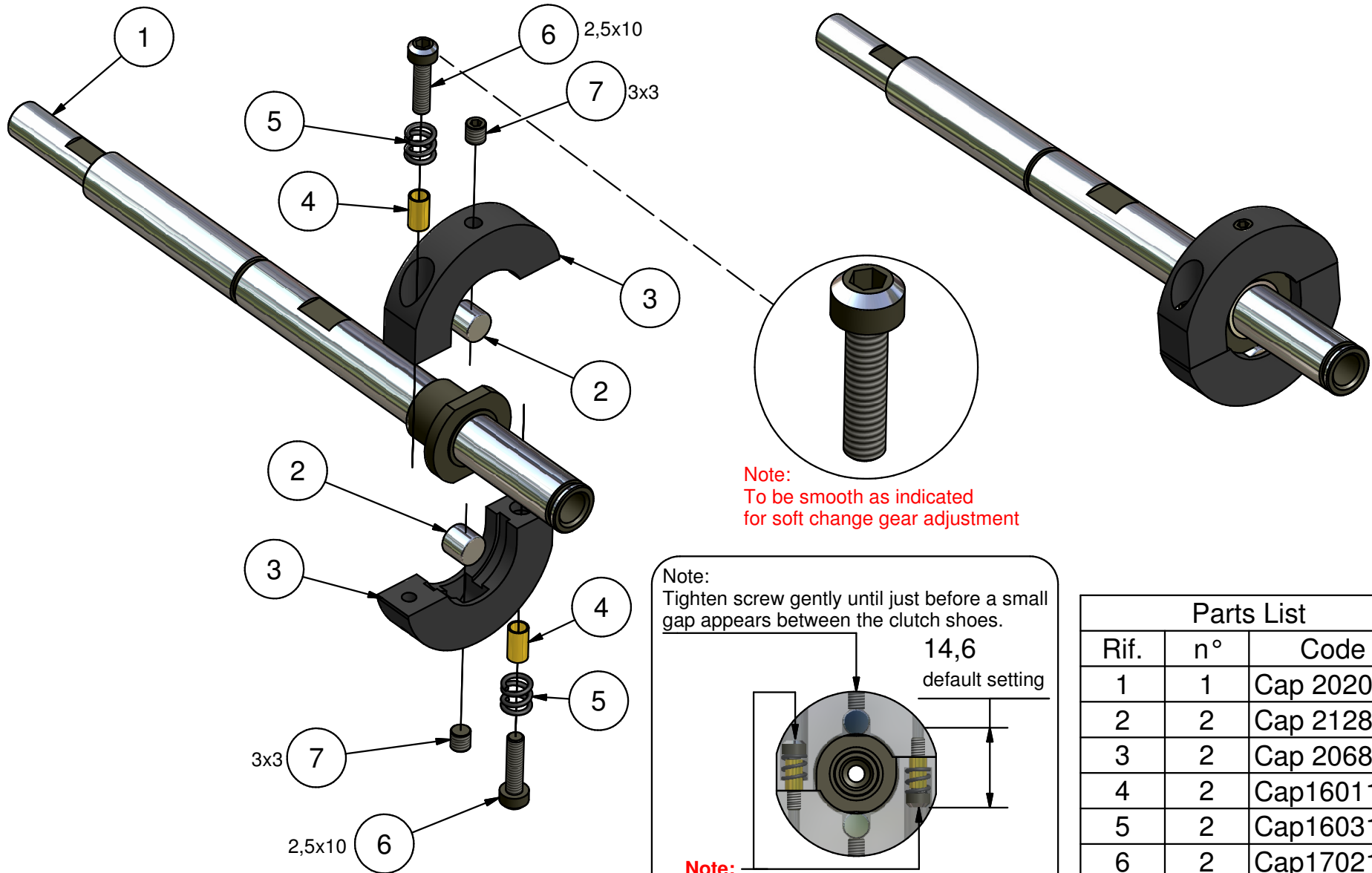




# Step 5.0

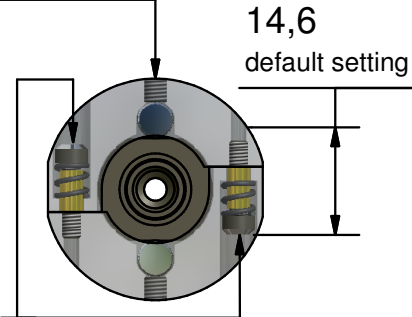
## - 2 Speed gear - BAG 5

Capricorn RC



Note:  
To be smooth as indicated  
for soft change gear adjustment

Note:  
Tighten screw gently until just before a small  
gap appears between the clutch shoes.



Note:  
Adjust the 2,5x10 screws in equal mode

### Parts List

Rif.	n°	Code
1	1	Cap 2020-C
2	2	Cap 2128
3	2	Cap 2068B
4	2	Cap16011
5	2	Cap16031H
6	2	Cap17021
7	2	Cap17006

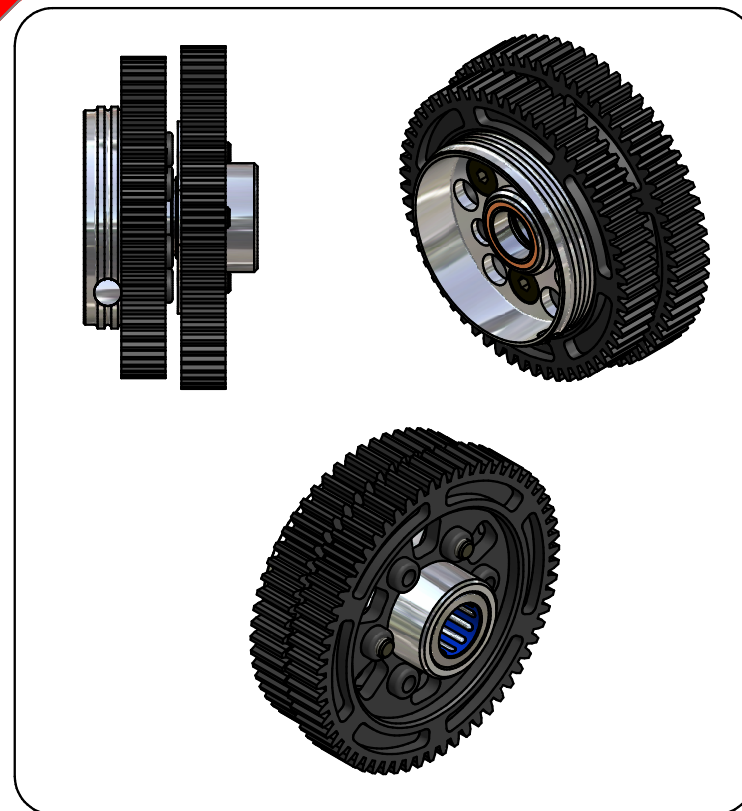
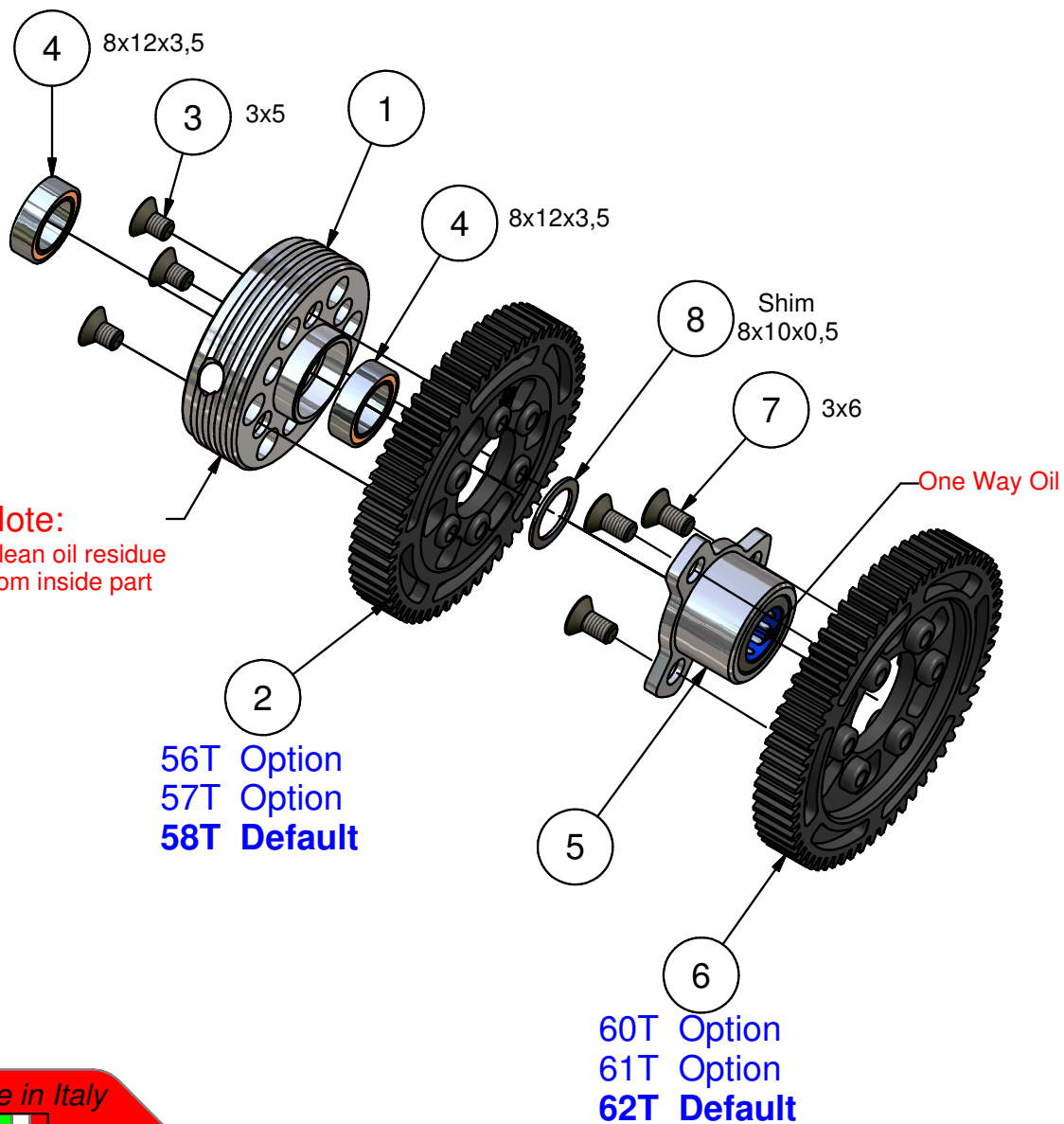
Made in Italy



# Step 5.1

## - 2 Speed gear - BAG 5

Capricorn RC



Parts List		
Rif.	n°	Code
1	1	Cap 2059-V2
2	1	Cap2051-58B
3	3	Cap17038
4	2	Cap 2015
5	1	Cap 2058-B
6	1	Cap2050-62B
7	3	Cap17029
8	1	Cap 2127-0,5

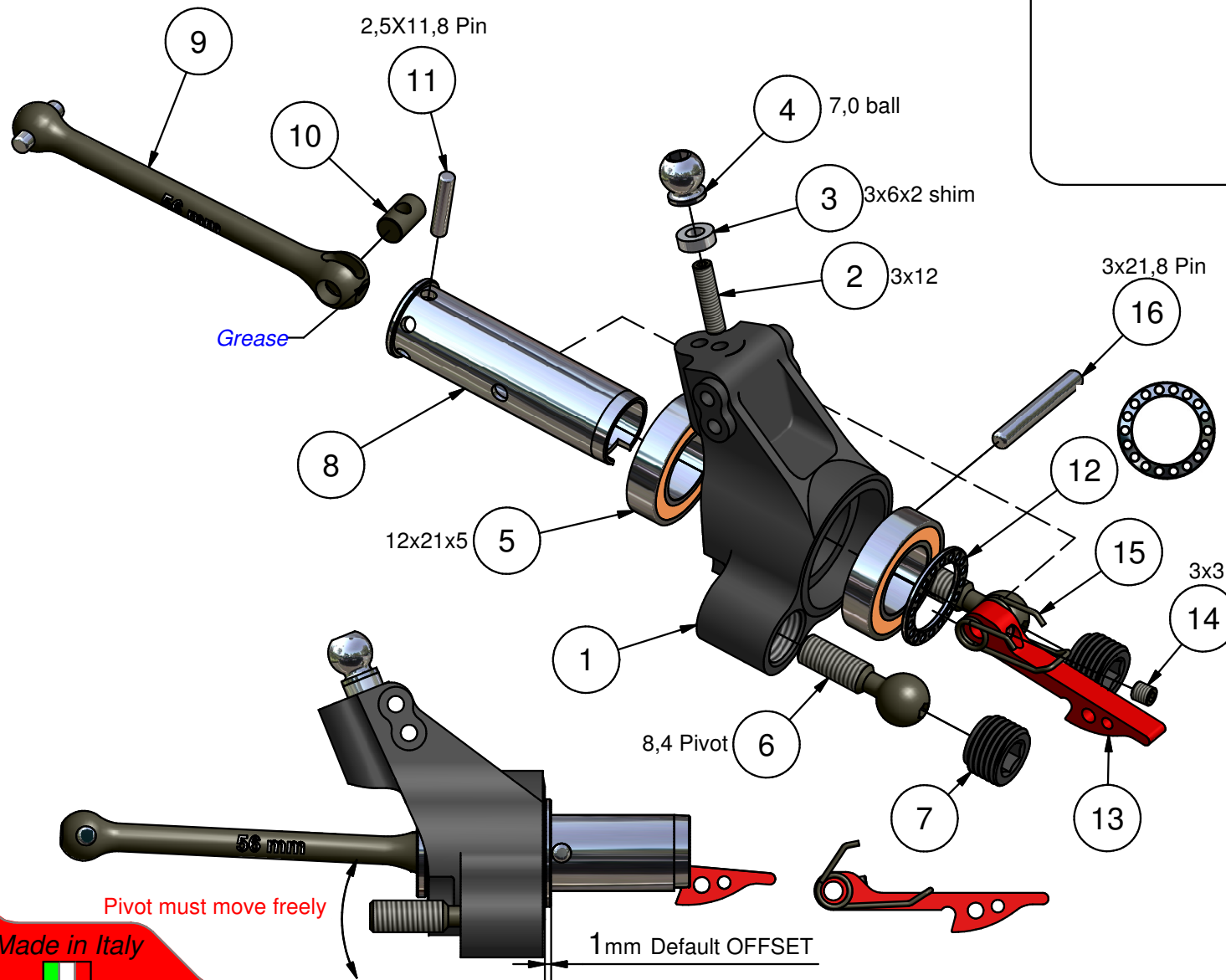
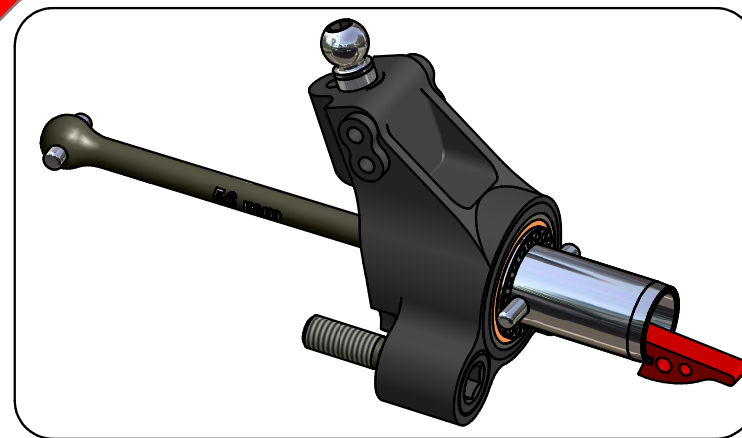
Made in Italy



# Step 6.0

## - Rear Hub - BAG 6

# Capricorn RC 2x L/R



### Parts List

Rif.	n°	Code
1	1	Cap 2026B
2	1	Cap17005
3	1	Cap22015
4	1	Cap 2237
5	2	Cap 2149
6	2	Cap16004S
7	2	Cap16026S
8	1	Cap 2447
9	1	Cap 2433
10	1	Cap 2007
11	1	Cap 2134
12	1	Cap 2159-1.0
13	1	Cap 2065-C
14	1	Cap17006
15	1	Cap 2069
16	1	Cap 2140

Made in Italy



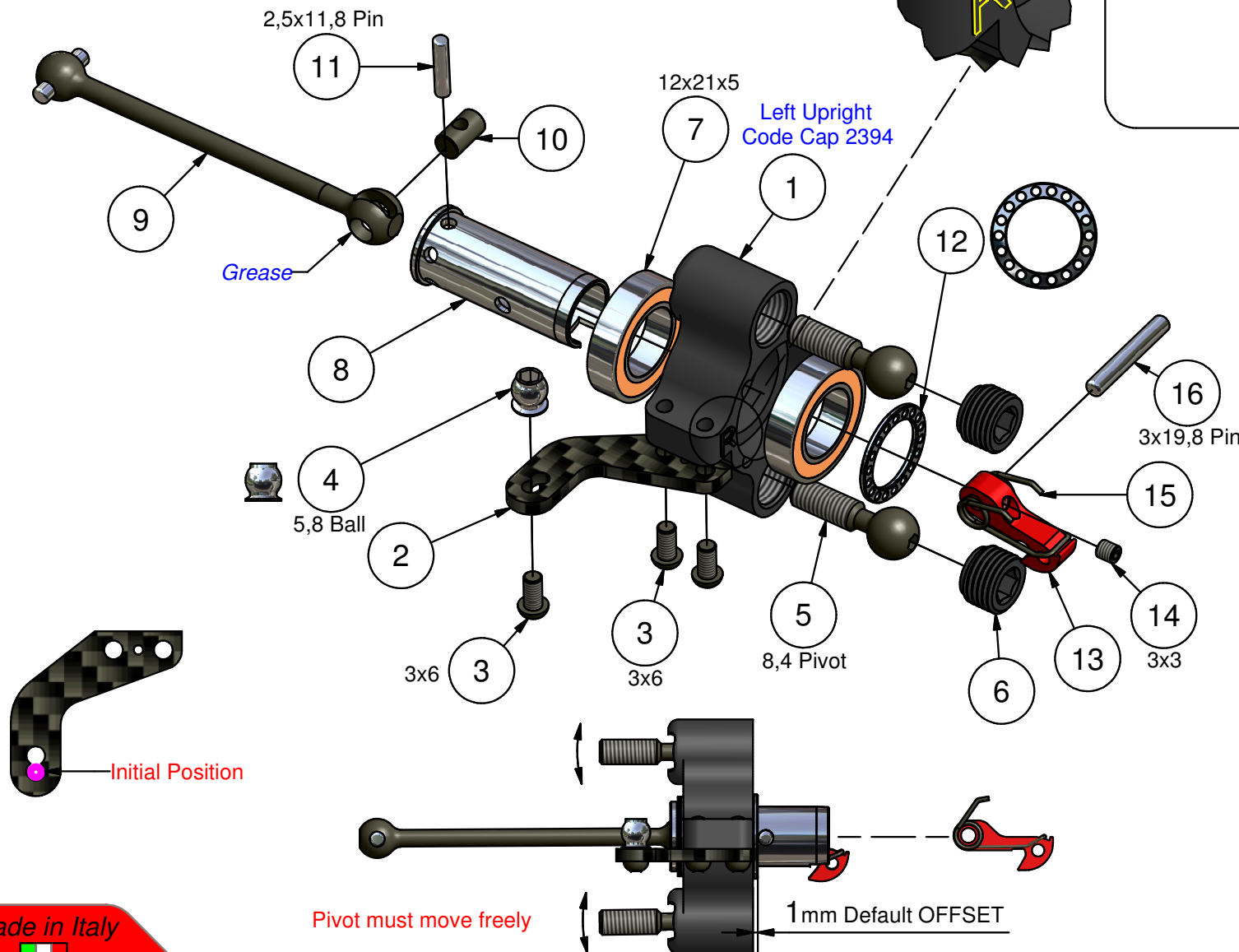
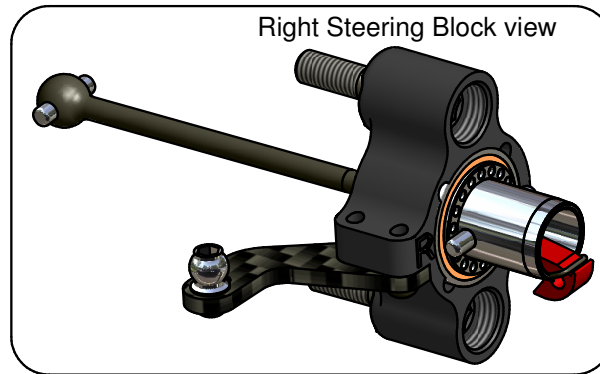
# Step 6.1

- Front Hub -  
BAG 6

Capricorn RC

2x L/R

Right Steering Block view



## Parts List

Rif.	n°	Code
1	1	Cap 2393
2	1	Cap 2386
3	3	Cap17030
4	1	Cap18169
5	2	Cap16004S
6	2	Cap16026S
7	2	Cap 2149
8	1	Cap 2446
9	1	Cap 2131
10	1	Cap 2007
11	1	Cap 2134
12	1	Cap 2159-1.0
13	1	Cap 2064-B
14	1	Cap17006
15	1	Cap 2069
16	1	Cap 2139

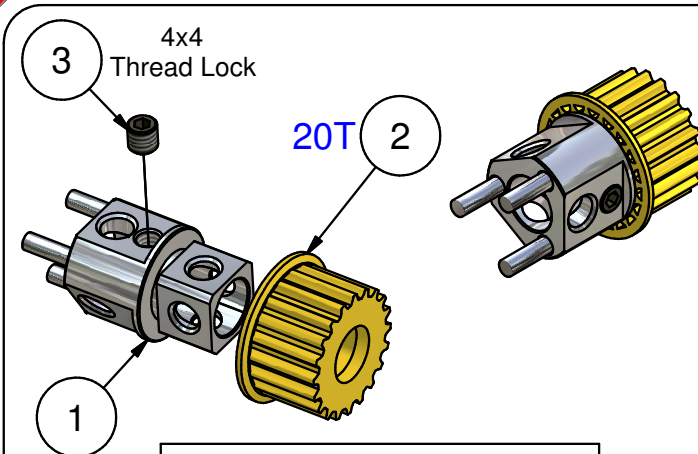
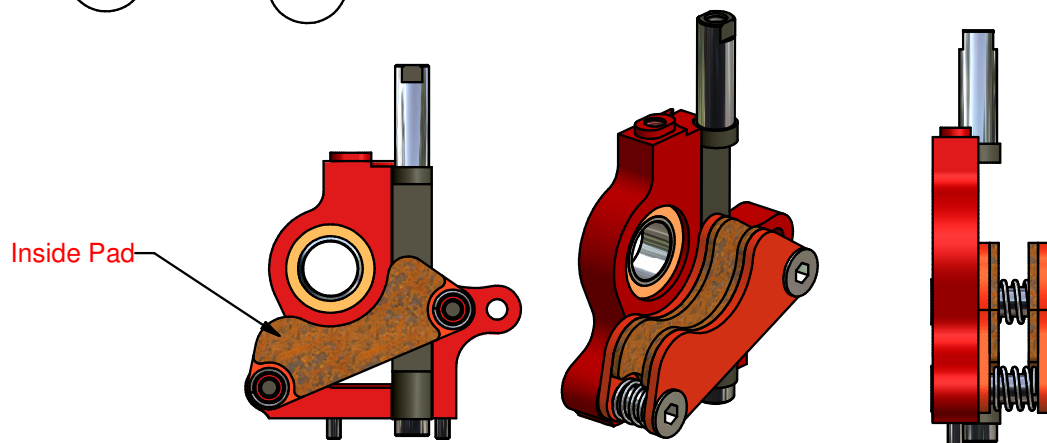
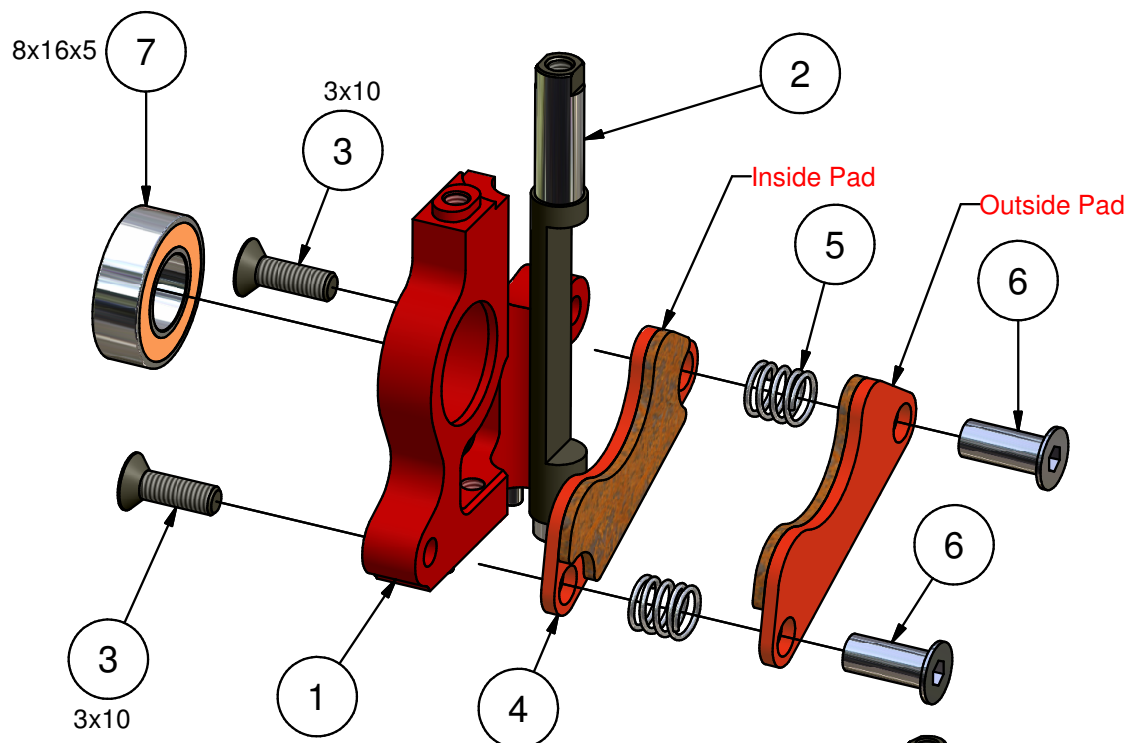
Made in Italy



# Step 7.0

## - Brake Set - BAG 7

Capricorn RC



Parts List		
Rif.	n°	Code
1	1	Cap 2118
2	1	Cap 2100
3	1	Cap17010

Parts List		
Rif.	n°	Code
1	1	Cap 2407
2	1	Cap 2043-V2
3	2	Cap17027
4	2	Cap 2063C
5	2	Cap 2070
6	2	Cap 2038
7	1	Cap 2017

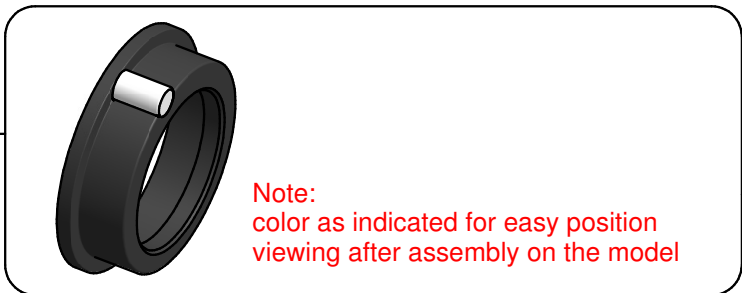
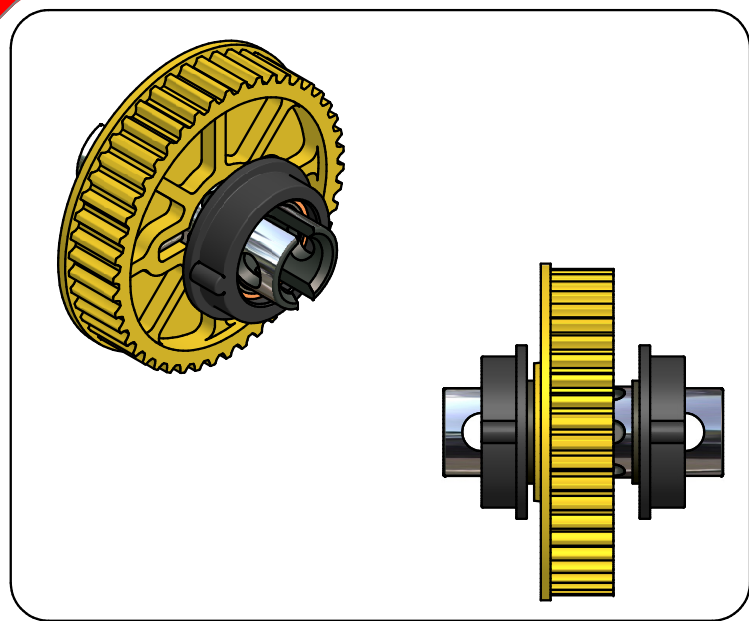
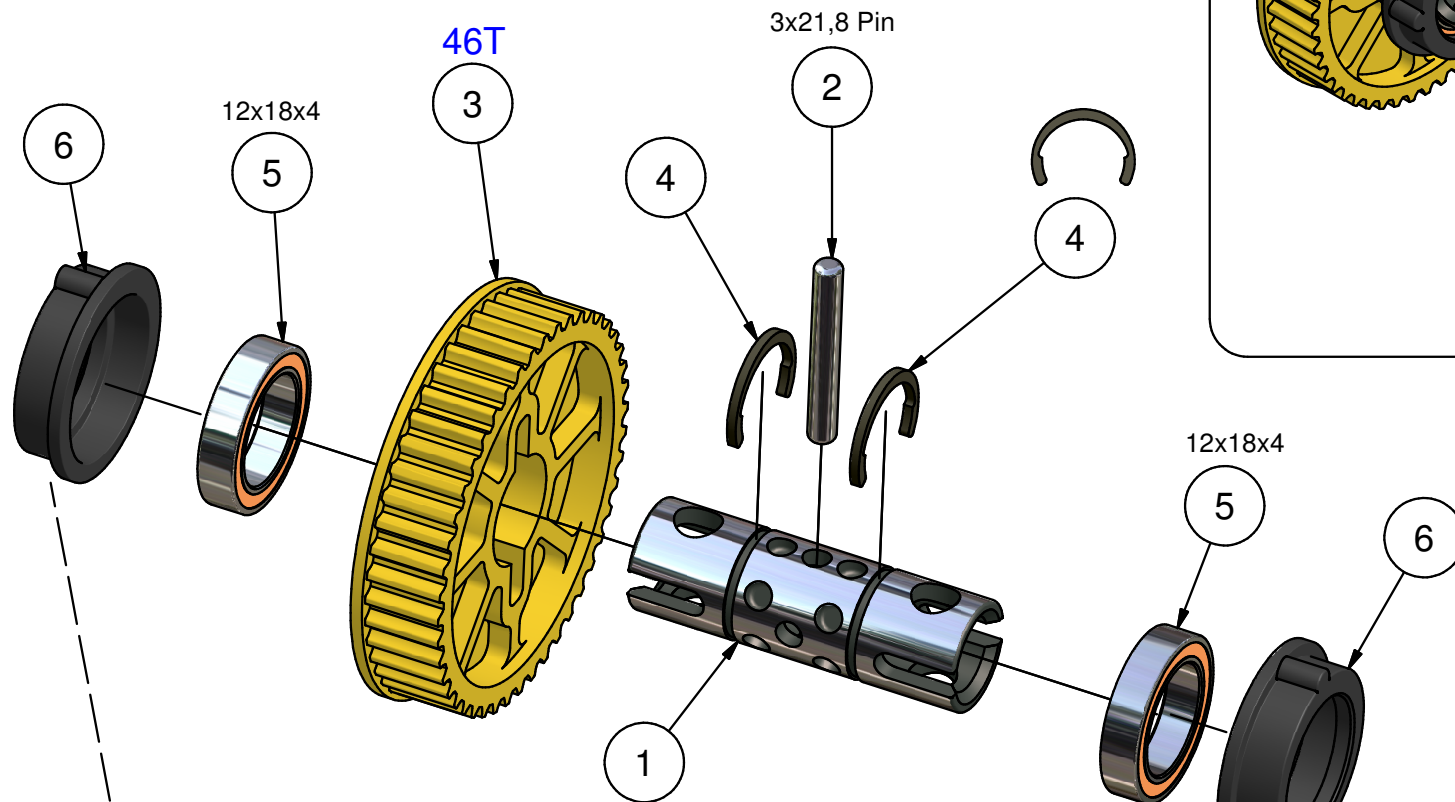
Made in Italy



# Step 8.0

## - Rear Solid Axle - BAG 8

Capricorn RC



Note:  
color as indicated for easy position  
viewing after assembly on the model

Parts List		
Rif.	n°	Code
1	1	Cap 2424
2	1	Cap 2140
3	1	Cap 2423
4	2	Cap 2231
5	2	Cap 2012
6	2	Cap 2264

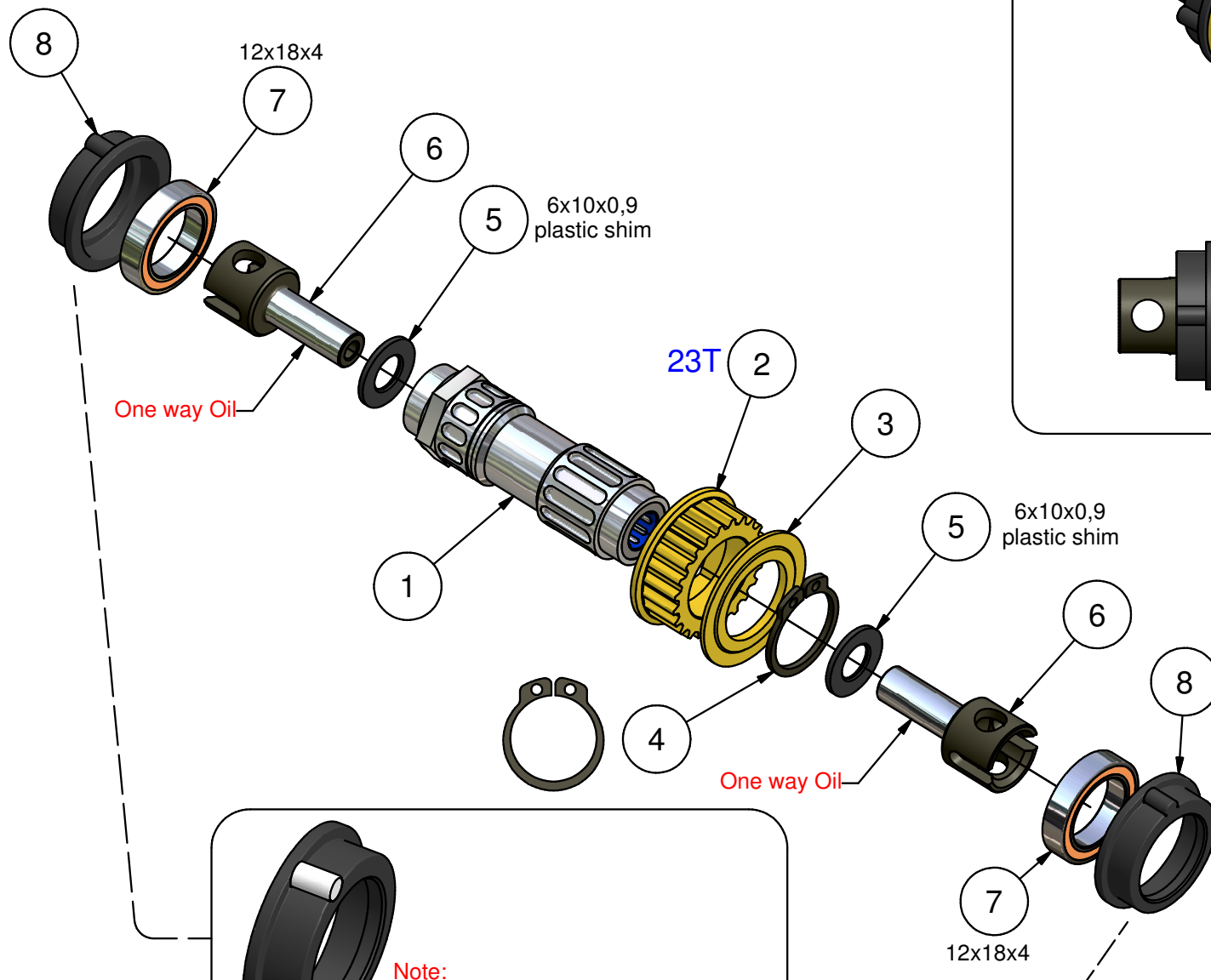
Made in Italy



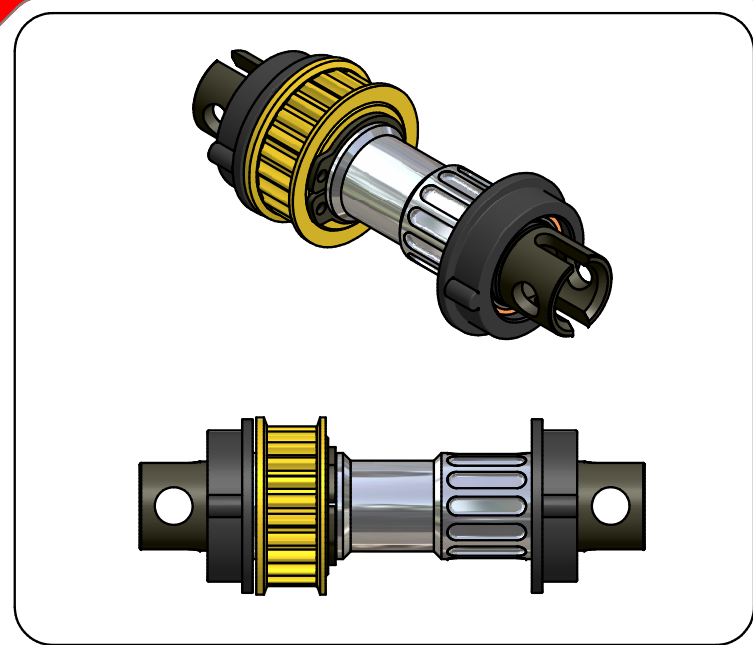
# Step 8.1

## - One Way Front Axle - BAG 8

Capricorn RC



Note:  
color as indicated for easy position  
viewing after assembly on the model



Parts List		
Rif.	n°	Code
1	1	Cap 2022
2	1	Cap 2101-K
3	1	Cap 2101-K
4	1	Cap 2130
5	2	Cap 2057
6	2	Cap 2117
7	2	Cap 2012
8	2	Cap 2264

Made in Italy





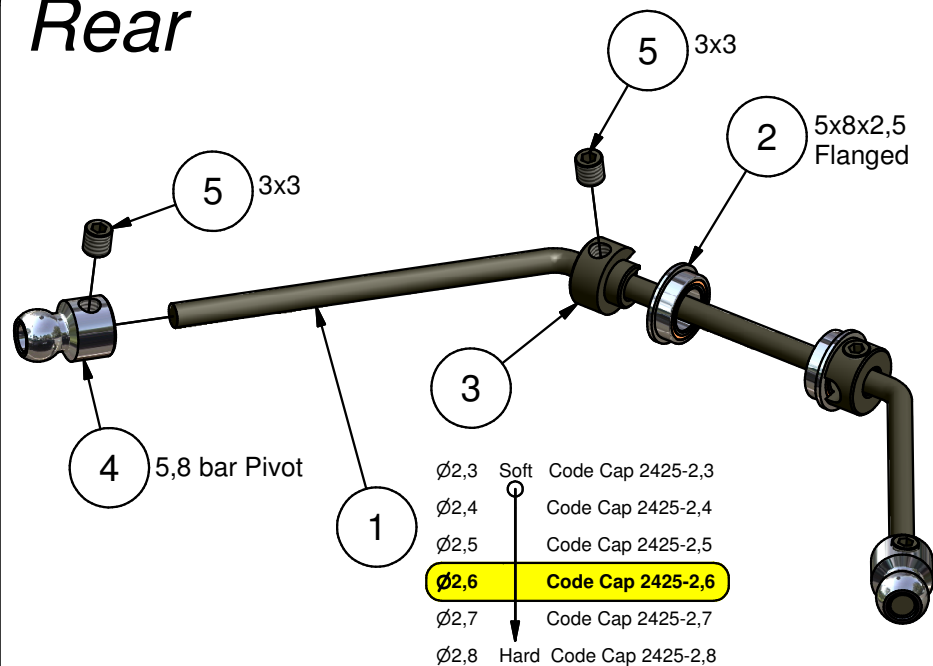


# Step 10.0

## - Rear/Front Wire Bar - BAG 10

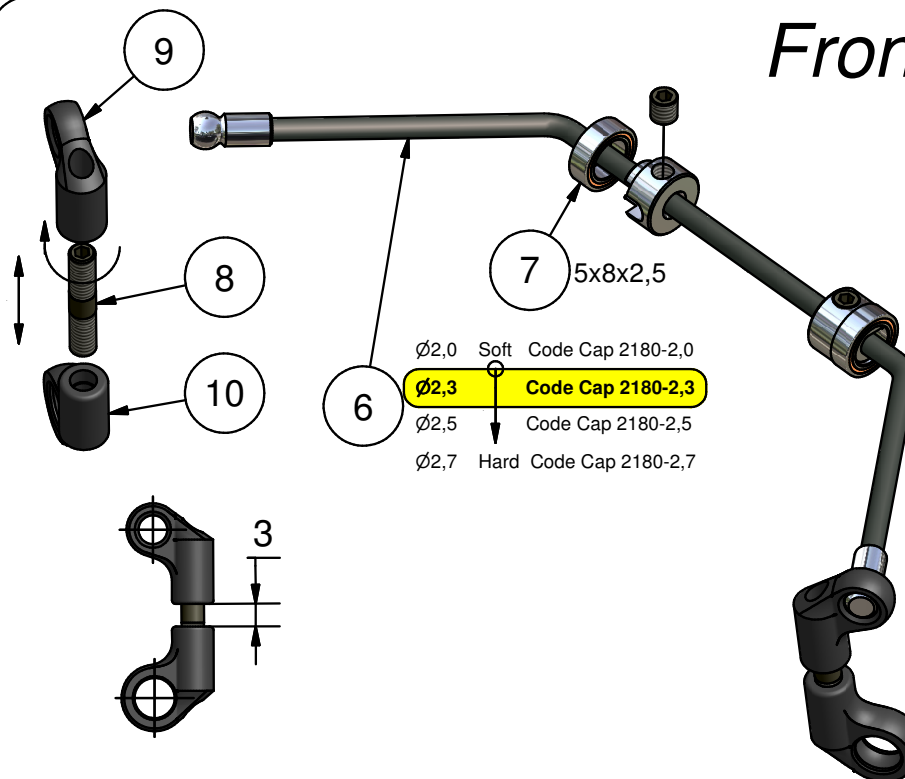
Capricorn RC

### Rear



Parts List		
Rif.	n°	Code
1	1	Cap 2425-2,6
2	2	Cap18082
3	2	Cap 2031-3,0
4	2	Cap 2120-3,0
5	4	Cap17006

### Front



Parts List		
Rif.	n°	Code
6	1	Cap 2180-2,3
7	2	Cap16019
8	2	Cap18003
9	2	Cap 2419
10	2	Cap 2418

Made in Italy

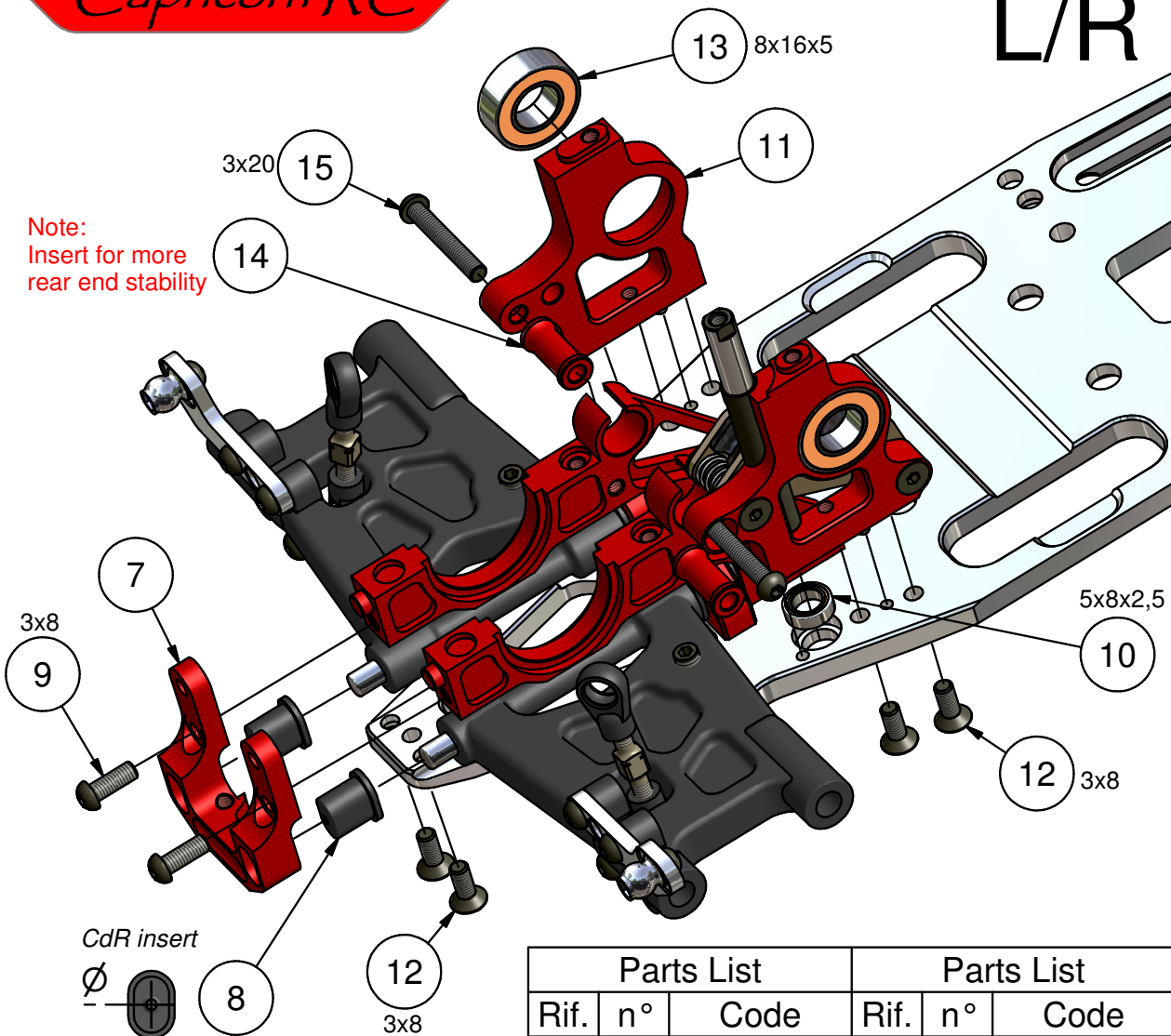
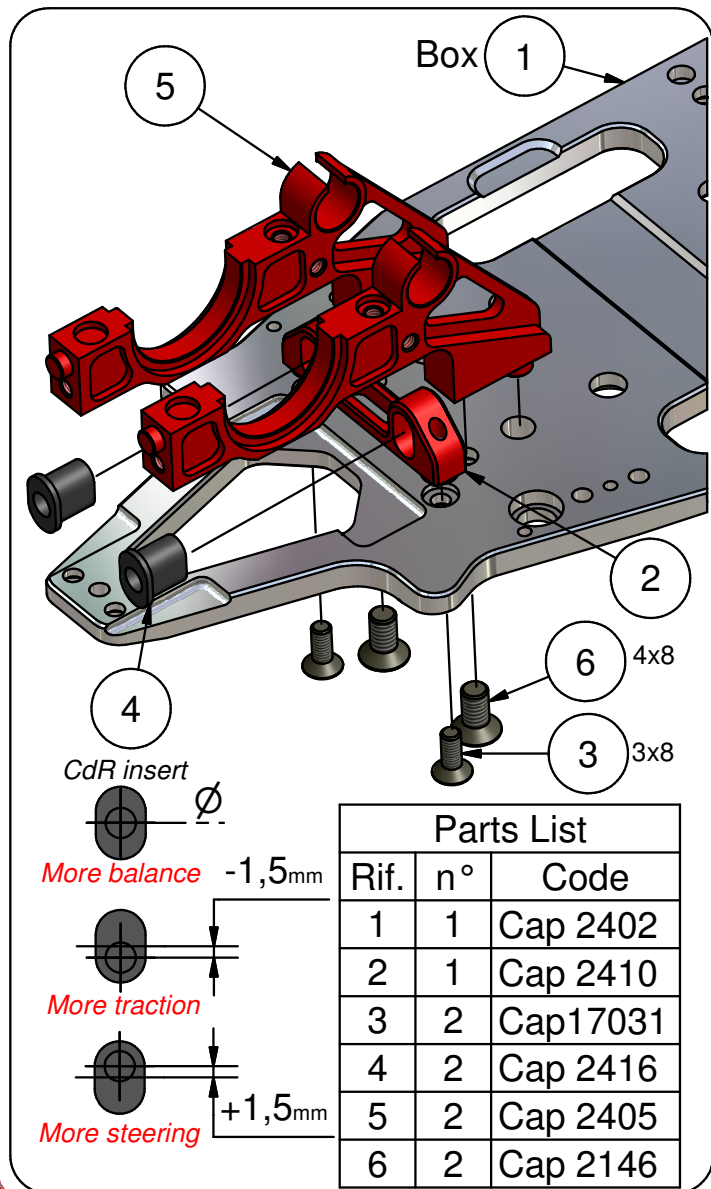


# Step 11.0

## - Rear Suspension - BAG 11

Capricorn RC

L/R



Parts List			Parts List		
Rif.	n°	Code	Rif.	n°	Code
7	1	Cap 2409	12	6	Cap17031
8	2	Cap 2416	13	1	Cap 2017
9	2	Cap17032	14	2	Cap 2426
10	1	Cap16019	15	2	Cap17120
11	1	Cap 2408			

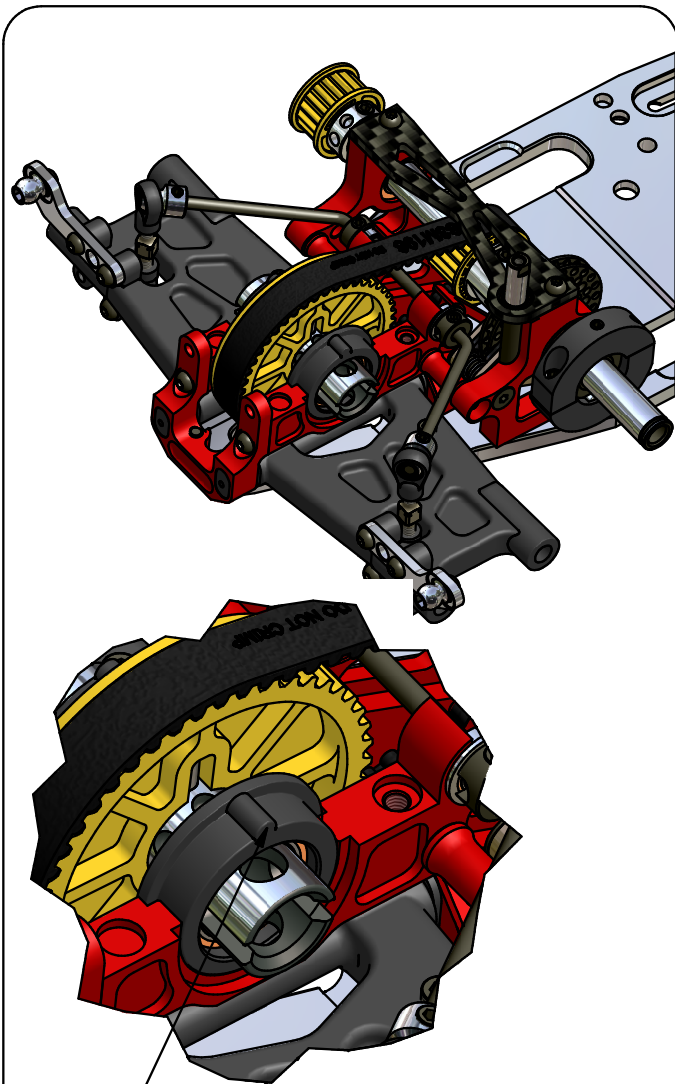
Made in Italy



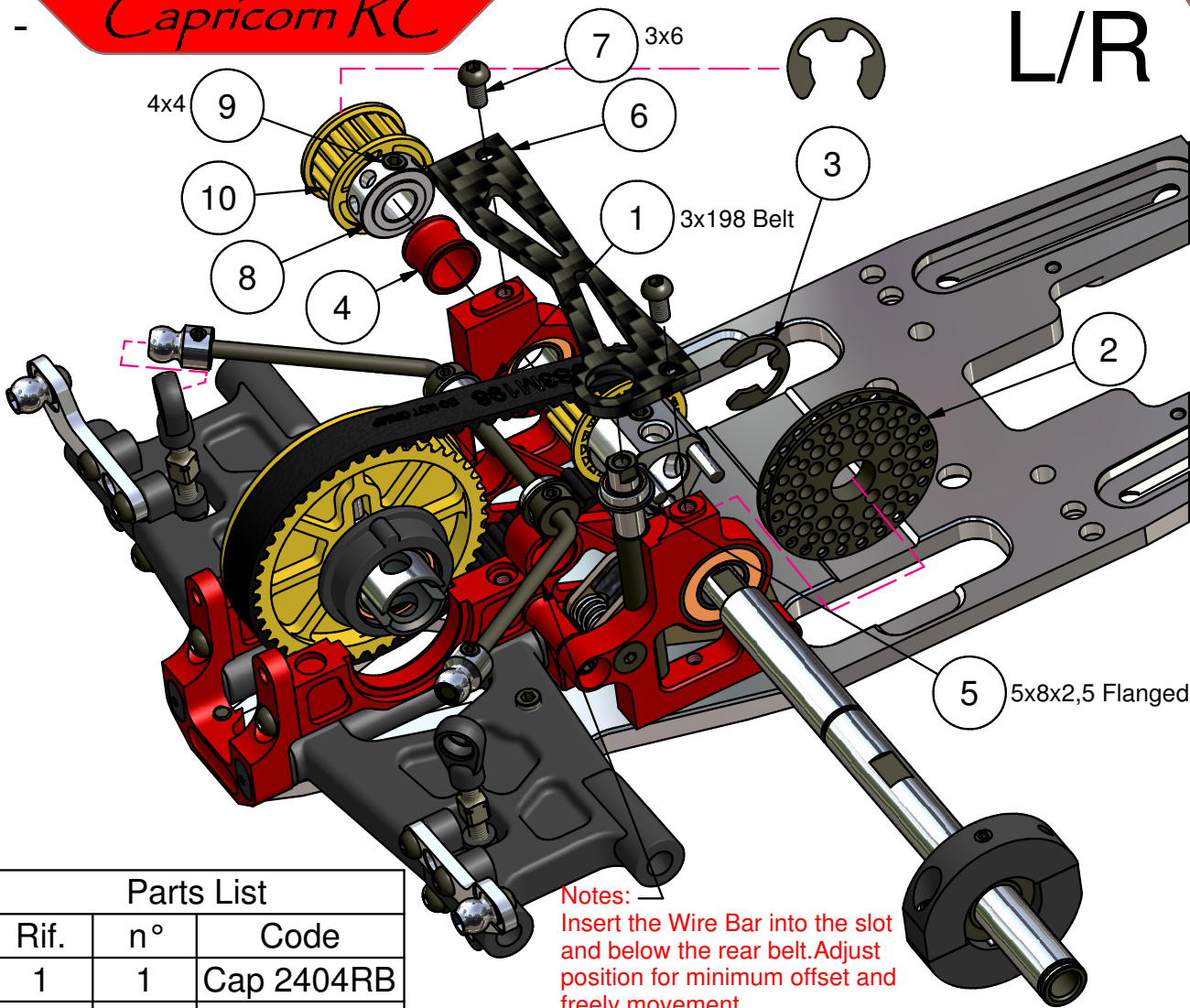
# Step 11.1 - Rear Suspension - BAG 11

Capricorn RC

L/R



Note:  
Set right and Left side in the same way for a correct rear belt tension



Notes:  
Insert the Wire Bar into the slot and below the rear belt. Adjust position for minimum offset and freely movement.  
Place the 5,8 bar pivot in the uniball link

Parts List		
Rif.	n°	Code
1	1	Cap 2404RB
2	1	Cap 2053
3	2	Cap 2006
4	1	Cap 2054
5	1	Cap18082
6	1	Cap 2432
7	2	Cap17030

Parts List		
Rif.	n°	Code
8	1	Cap 2119
9	2	Cap17010
10	1	Cap 2099-K

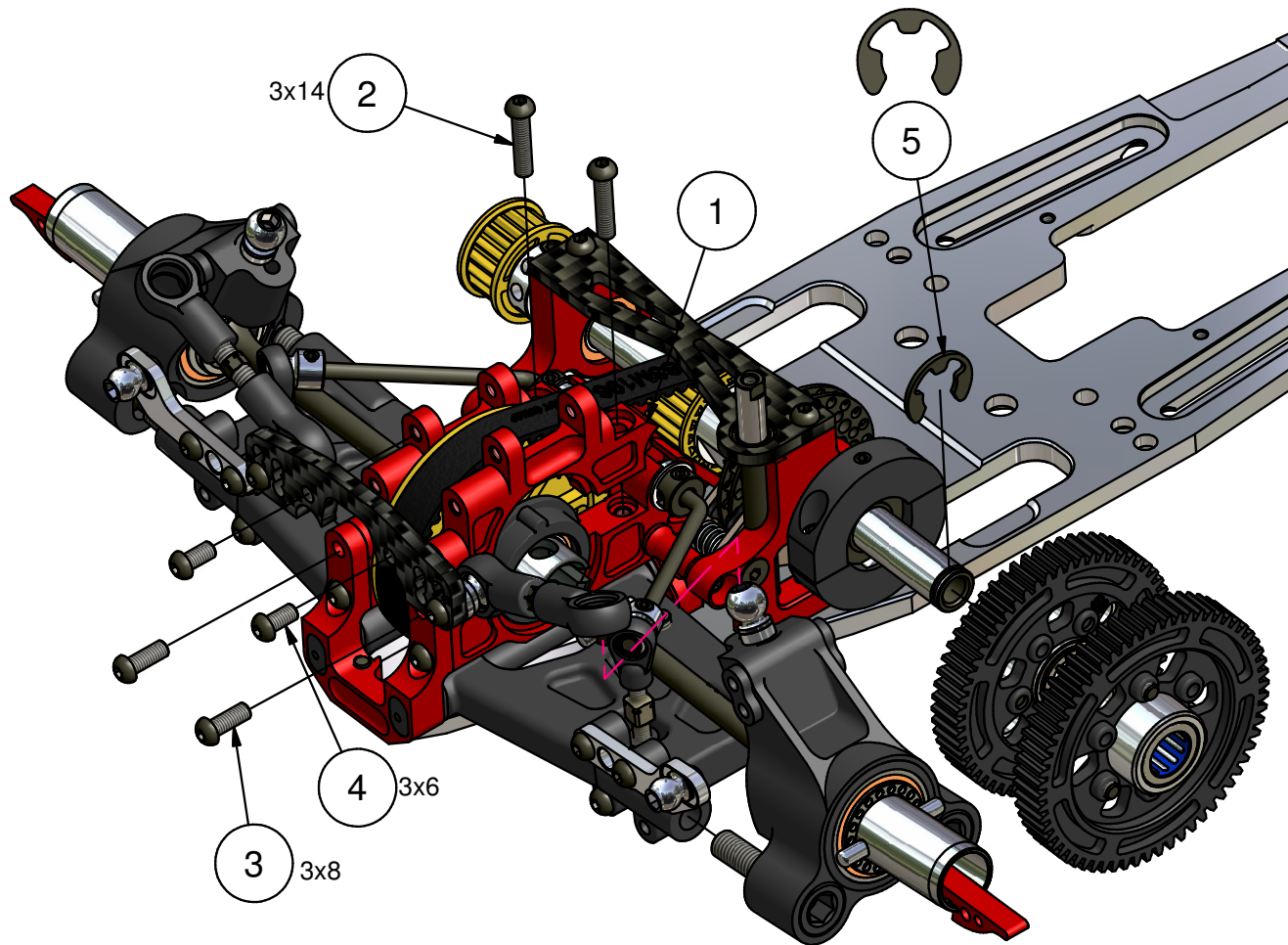
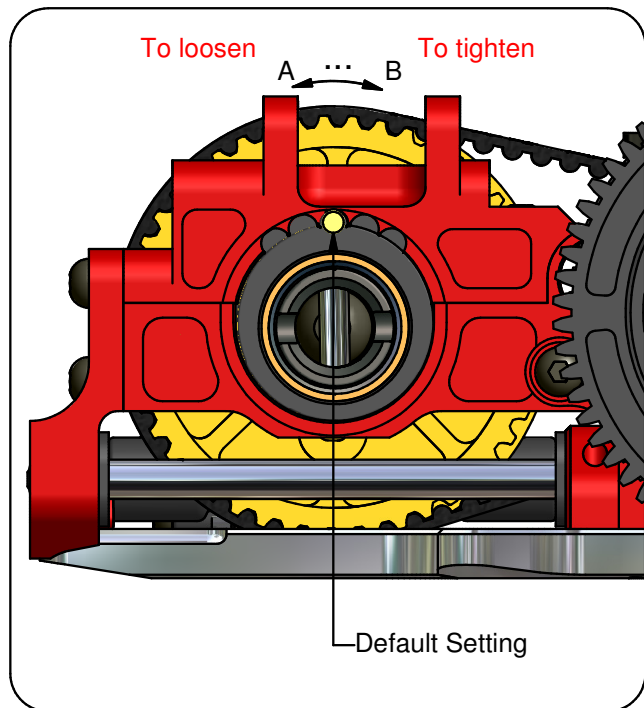
Made in Italy



# Step 11.2 - Rear Suspension - BAG 11

Capricorn RC

L/R



Parts List		
Rif.	n°	Code
1	2	Cap 2406
2	2	Cap18024
3	2	Cap17032
4	2	Cap17030
5	1	Cap 2006

Made in Italy



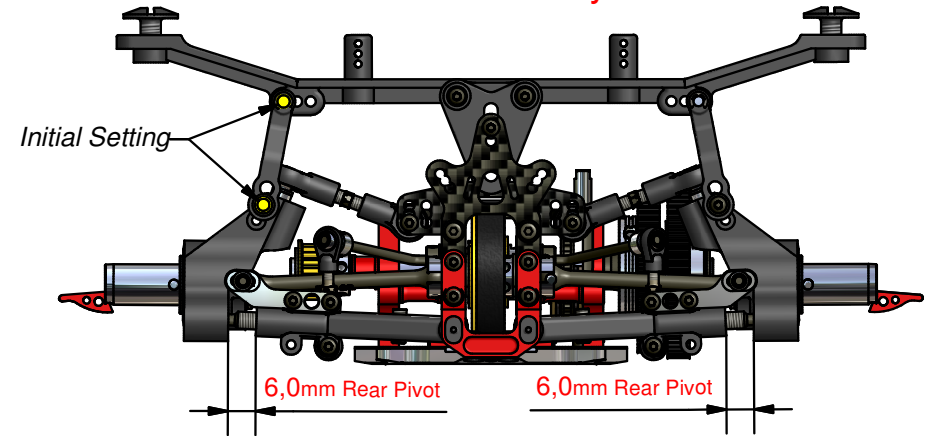
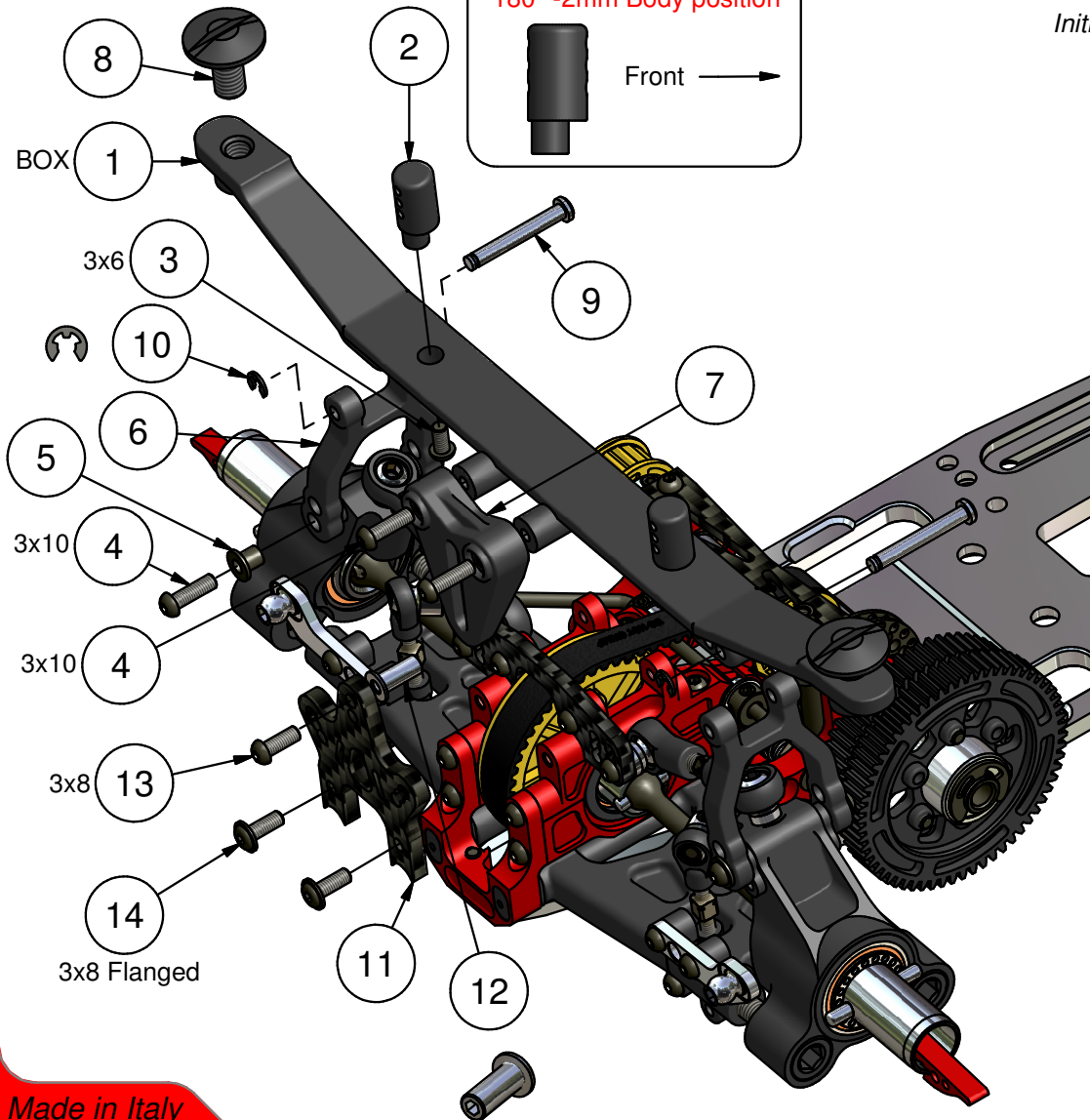
# Step 11.3

## - Rear Suspension - BAG 11

Capricorn RC

Note:  
Ensure move freely

L/R



Parts List		
Rif.	n°	Code
1	1	Cap 2110B
2	2	Cap 2047-P
3	2	Cap17030
4	6	Cap17023
5	4	Cap 2040
6	2	Cap 2028B
7	1	Cap 2207
8	2	Cap600
9	2	Cap 2087B
10	2	Cap17001
11	1	Cap 2429
12	1	Cap 2297
13	1	Cap17032
14	2	Cap17034

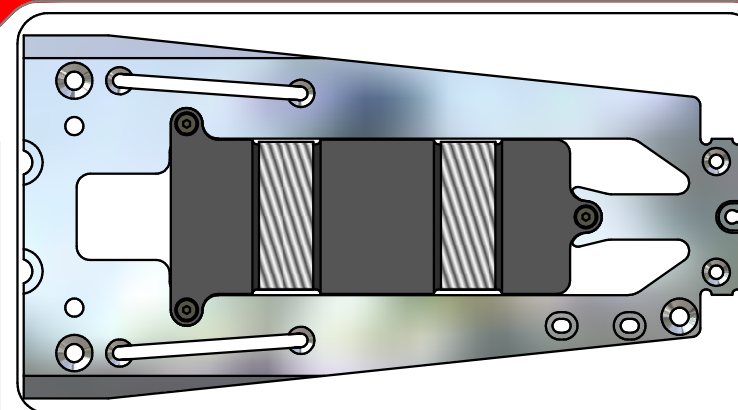
Made in Italy



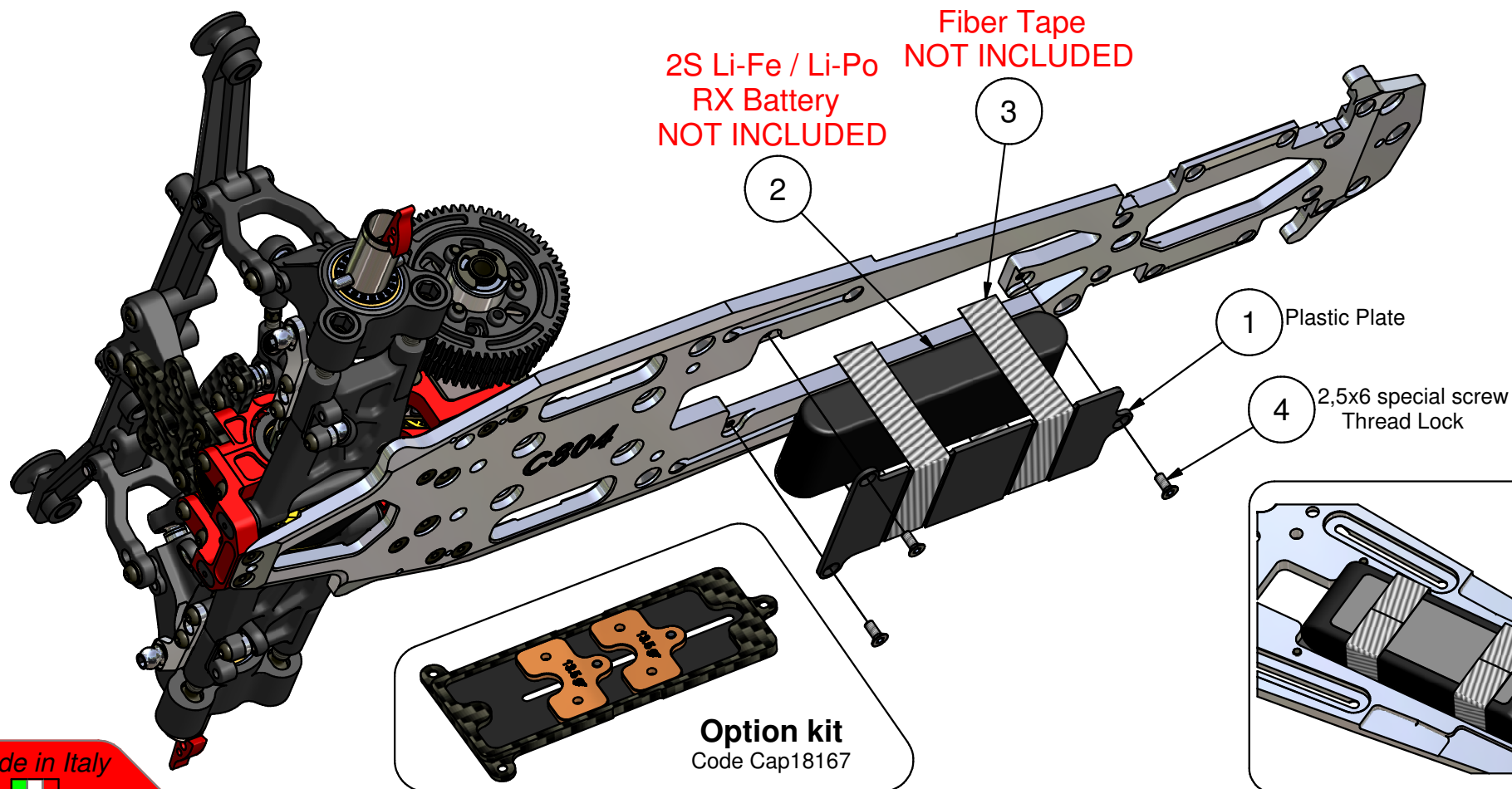
# Step 12.0

## - Battery Holders - BAG 12

Capricorn RC



Parts List			Option Parts	Brass 34gr Code Cap15014C 55gr Code Cap18132 68gr Code Cap1832-B
Rif.	n°	Code		
1	1	Cap15014P		Special alloy
2	1	RX Battery		86gr Code Cap15014W
3	2	TAPE		Carbon
4	3	Cap18158		10gr Code Cap15014CF



Made in Italy

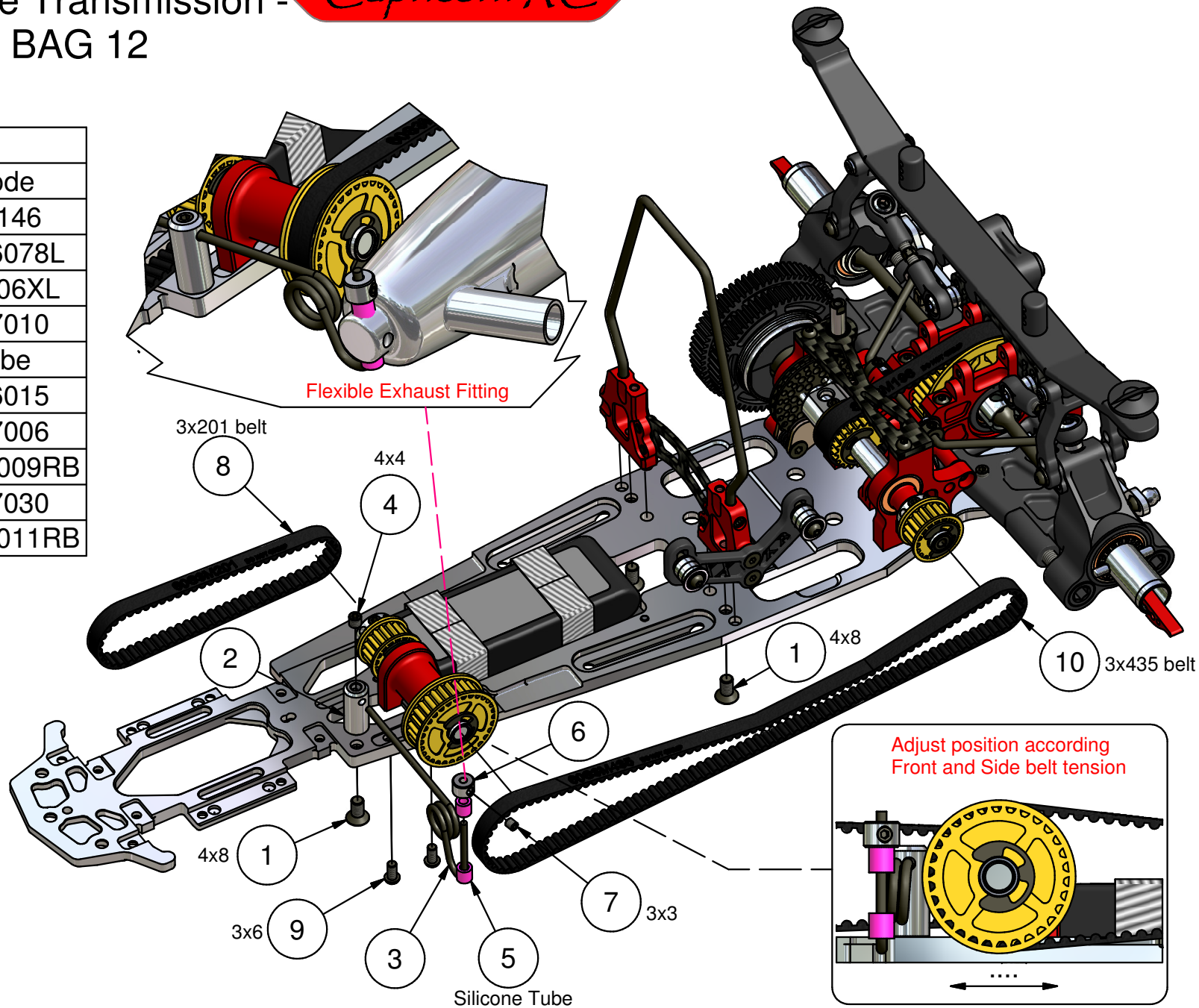


# Step 12.1 - Middle Transmission -

Capricorn RC

## BAG 12

Parts List		
Rif.	n°	Code
1	3	Cap 2146
2	1	Cap16078L
3	1	Cap 506XL
4	1	Cap17010
5	2	Sil. Tube
6	1	Cap16015
7	1	Cap17006
8	1	Cap 2009RB
9	2	Cap17030
10	1	Cap 2011RB



Made in Italy

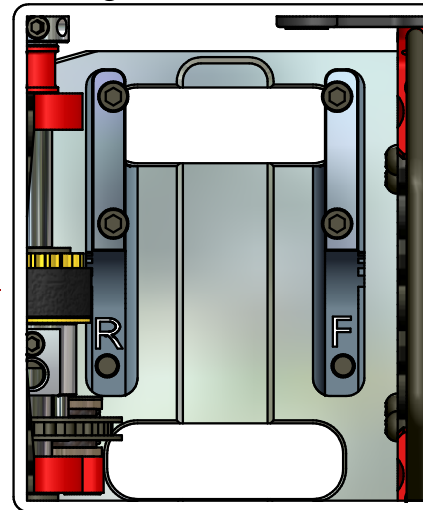


# Step 12.2

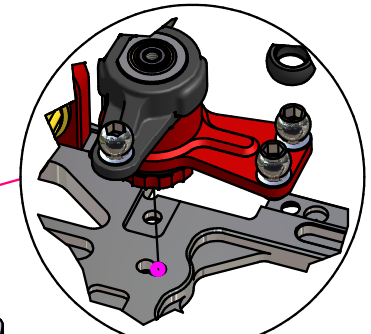
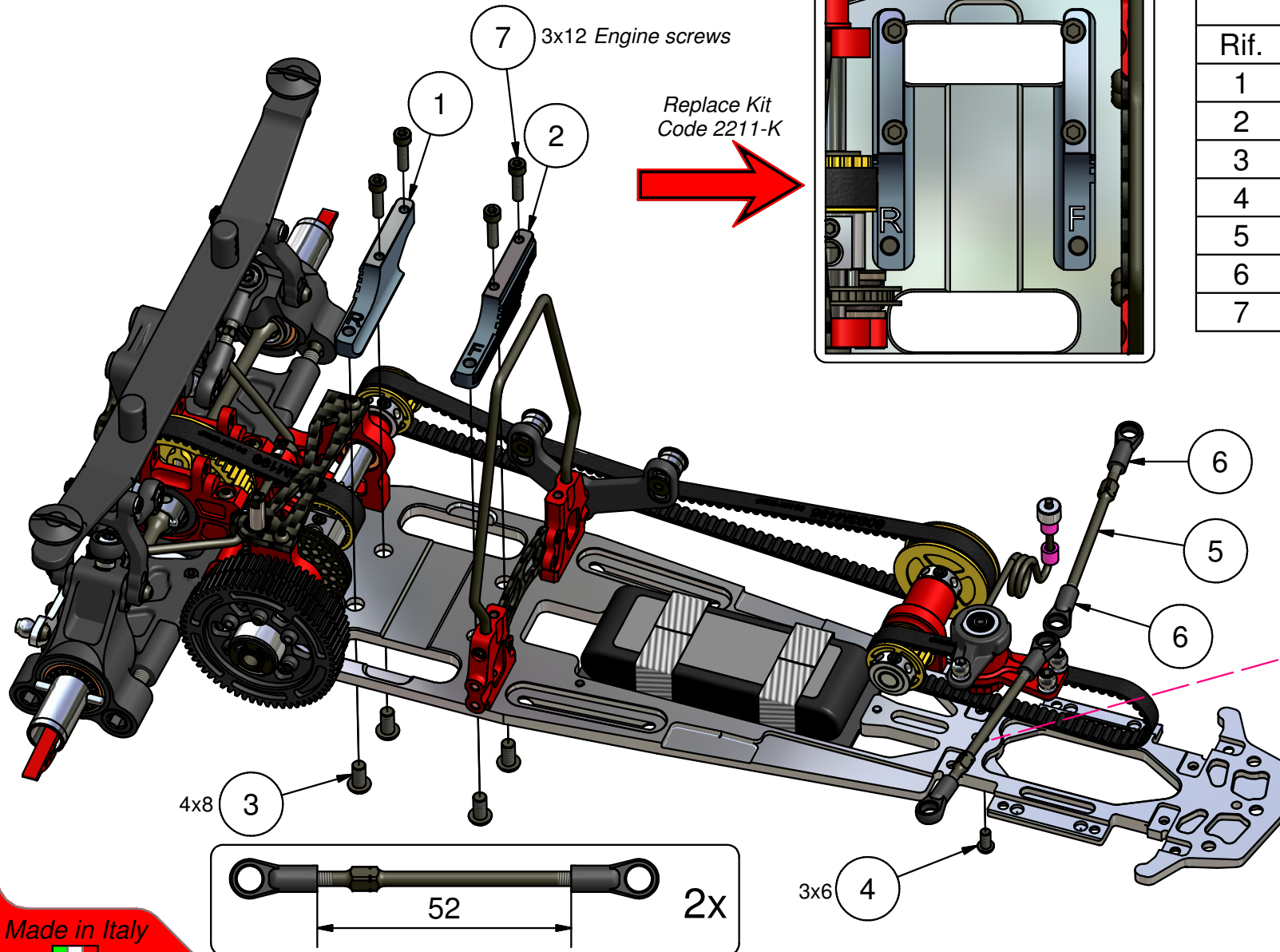
## - Engine mount & Servo Saver - BAG 12

Capricorn RC

Engine mounts view



Parts List		
Rif.	n°	Code
1	1	Cap 2211-R
2	1	Cap 2211-F
3	4	Cap 2147
4	1	Cap17030
5	2	Cap 2116
6	4	Cap14041KS
7	4	Cap17012



Initial Setting

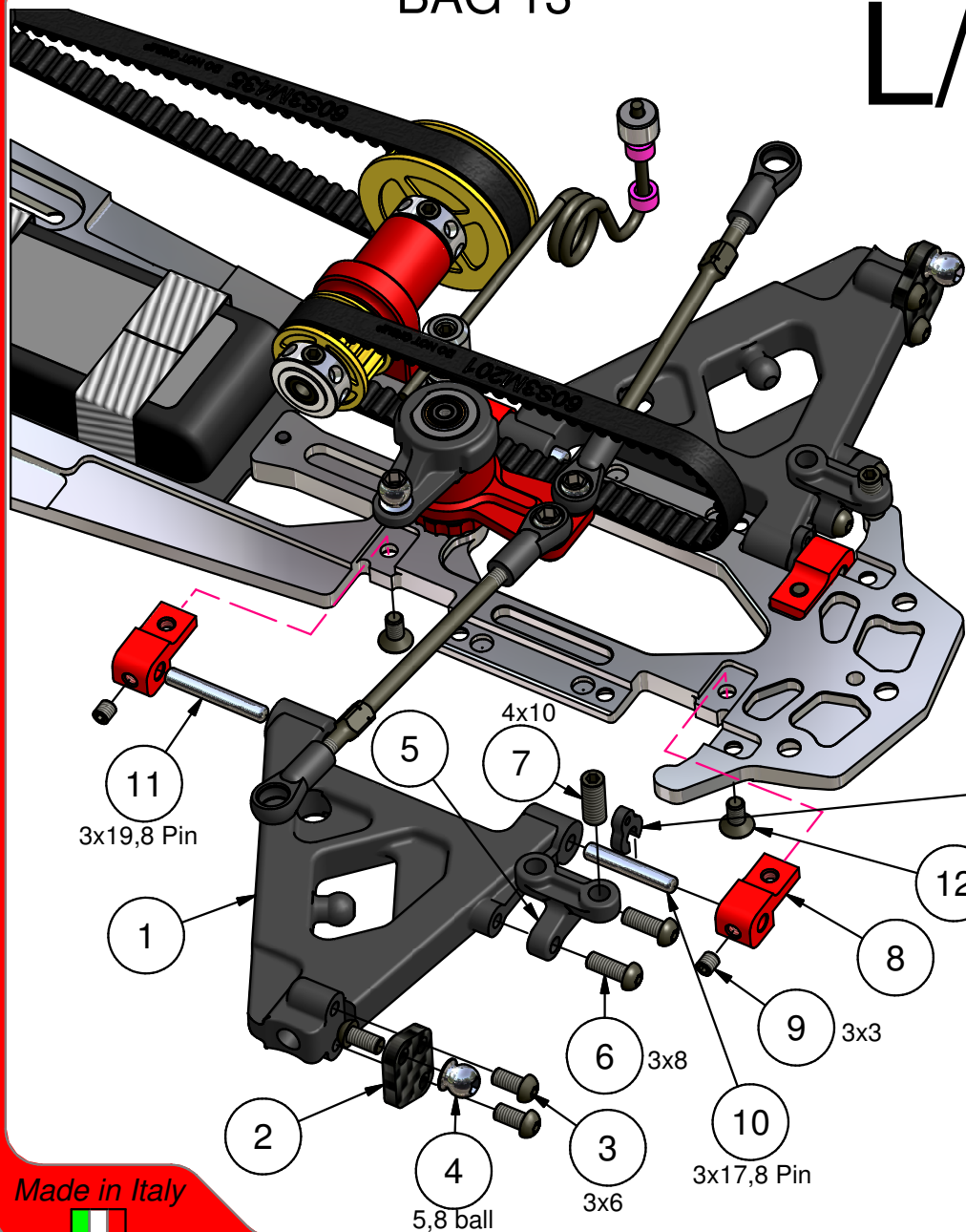


# Step 13.0

## - Front Suspension - BAG 13

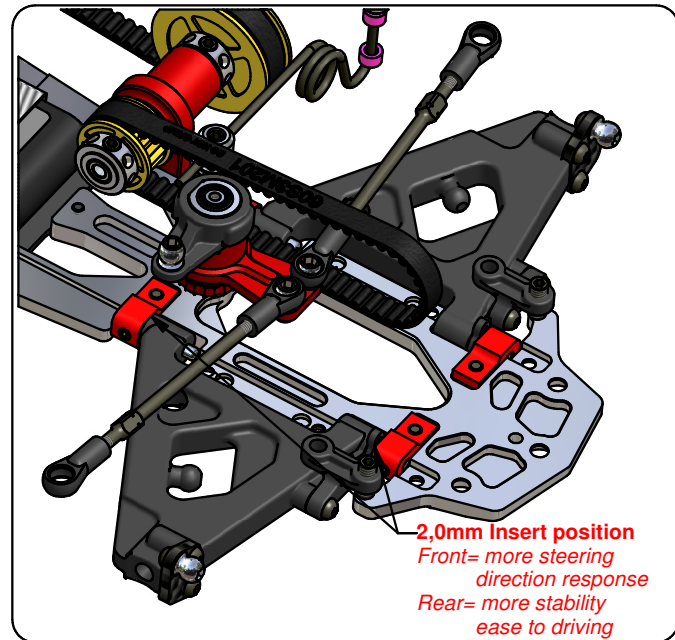
Capricorn RC

L/R



Note:  
Remove as shown

2,0mm Insert



Parts List		
Rif.	n°	Code
1	2	Cap 2413
2	2	Cap 2218
3	6	Cap17030
4	2	Cap18169
5	2	Cap 2414
6	4	Cap17032
7	2	Cap 2018
8	4	Cap 2208
9	4	Cap17006
10	2	Cap17102
11	2	Cap 2139
12	4	Cap17038
13	2	Cap14031P

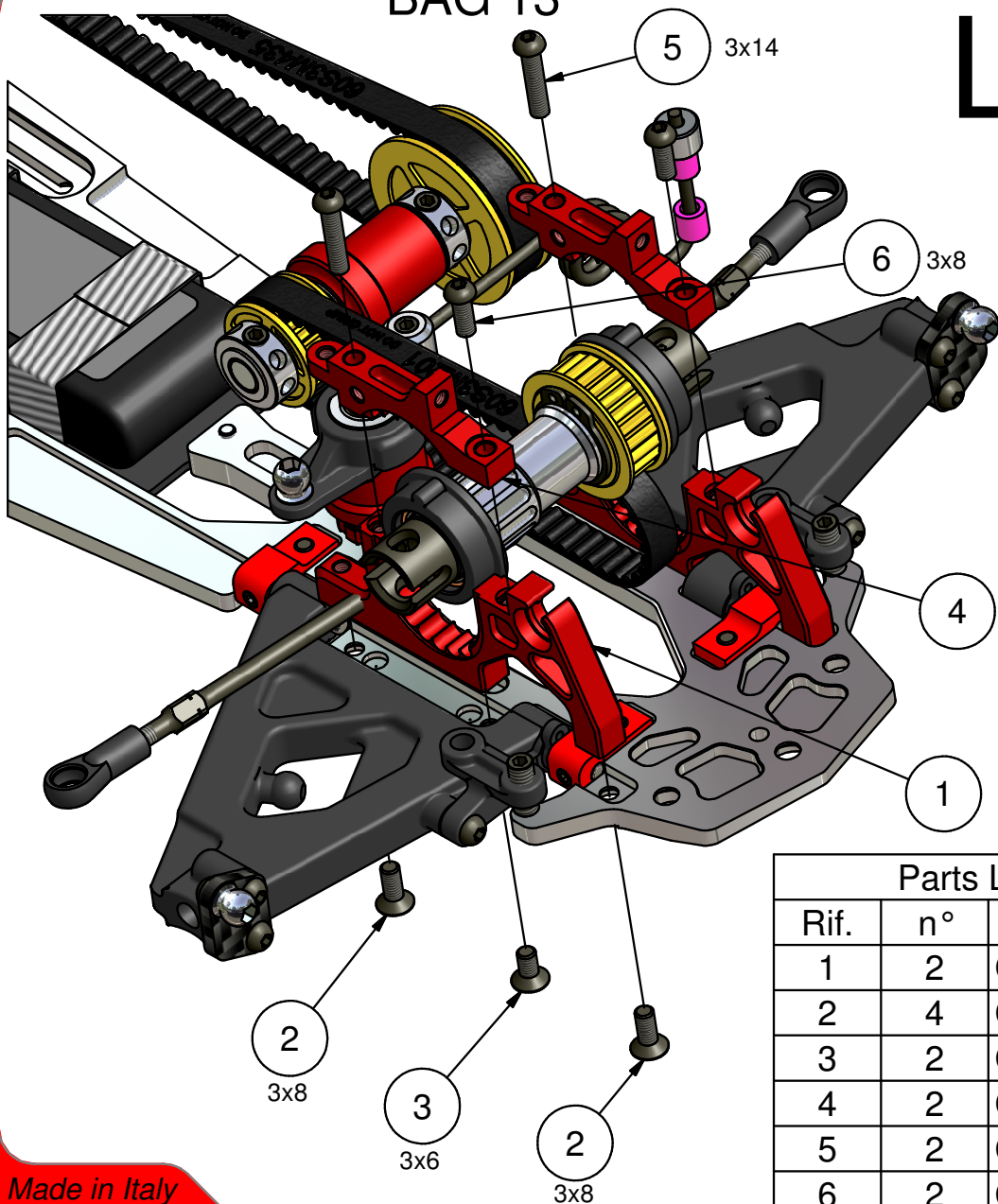
Made in Italy



# Step 13.1 - Front Suspension - BAG 13

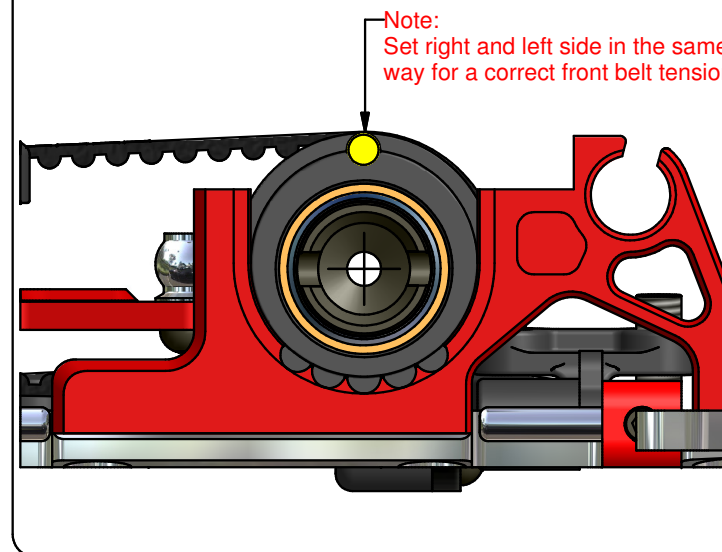
Capricorn RC

L/R

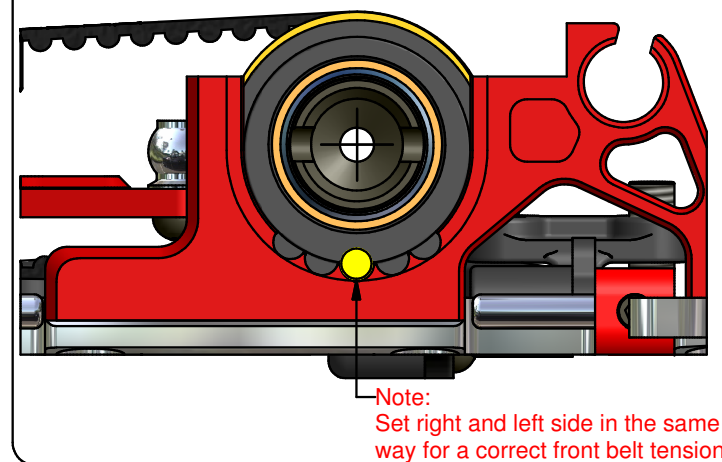


Parts List		
Rif.	n°	Code
1	2	Cap 2427
2	4	Cap17031
3	2	Cap17029
4	2	Cap 2442
5	2	Cap18024
6	2	Cap17032

Front Axle position for high grip track and greater entry in the first sector of curve



Front Axle position for low grip track and better precision trajectory in the center and exit of curve



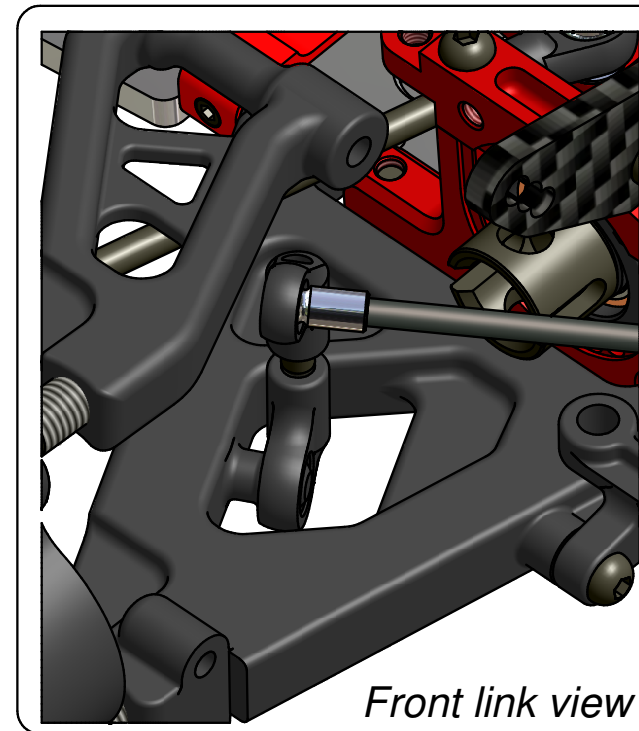
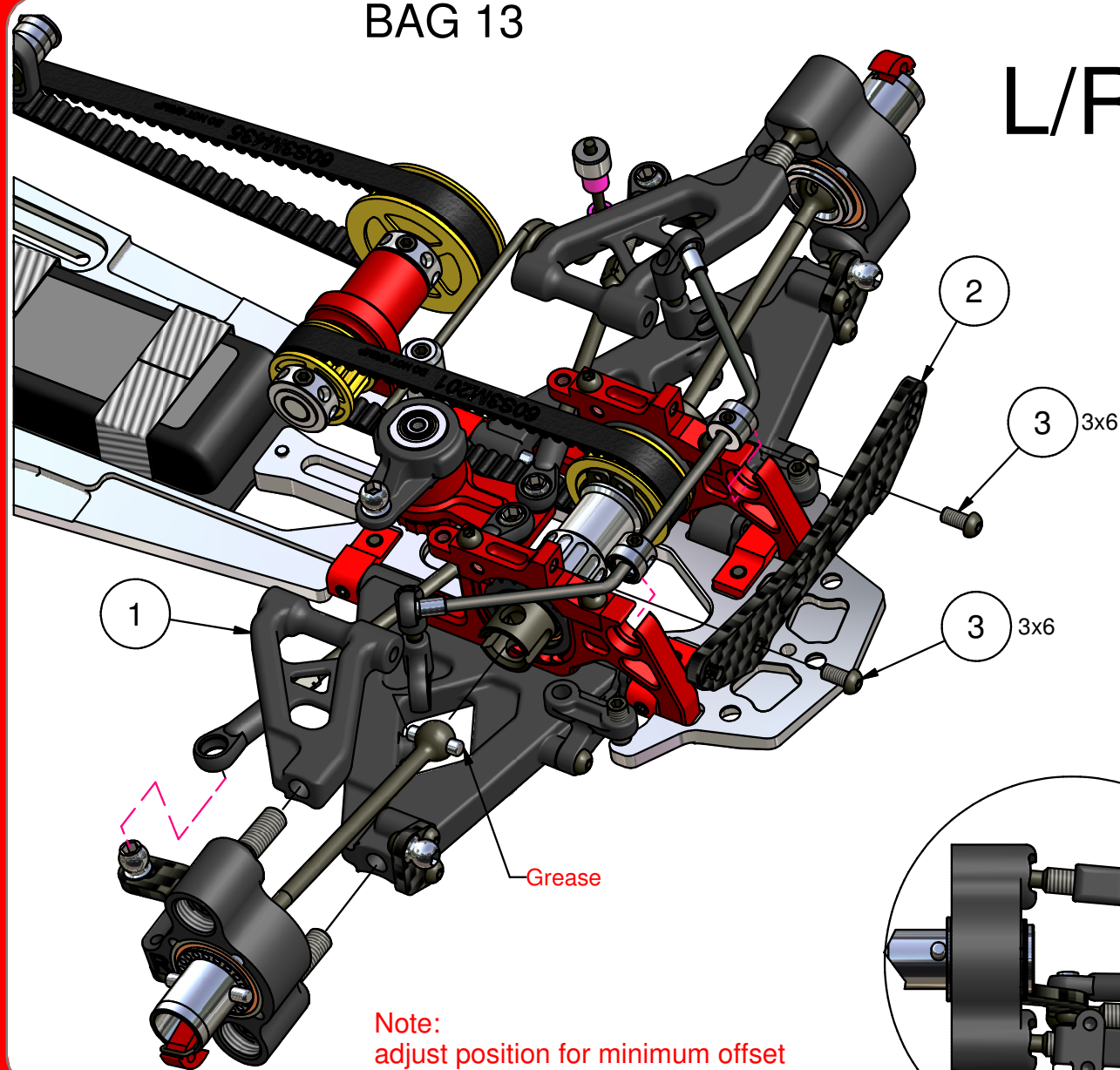
Made in Italy



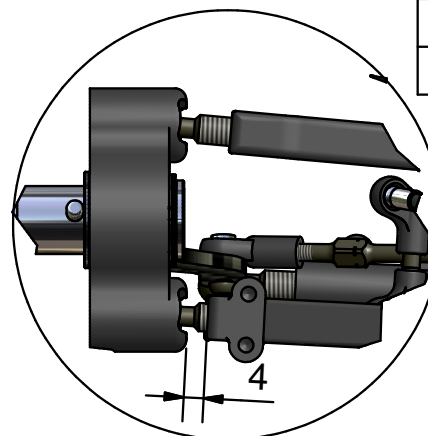
**Step 13.2** - Front Suspension -  
BAG 13

*Capricorn RC*

L/R



Parts List		
Rif.	n°	Code
1	2	Cap 2415
2	1	Cap 2092-UP_EX
3	2	Cap17030



Note:  
adjust position for minimum offset  
and freely front Anti-Roll bar movement

Made in Italy

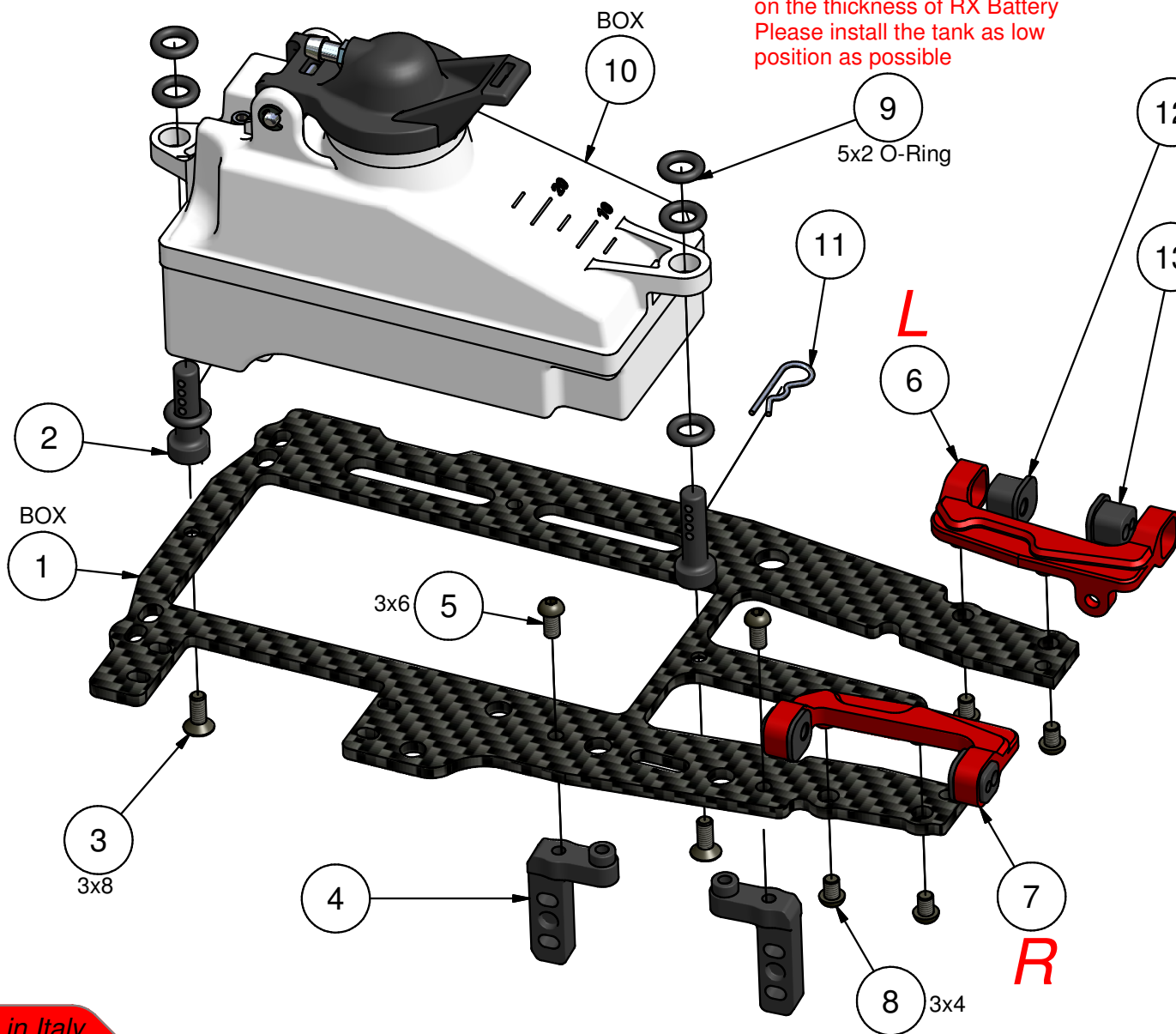


# Step 14.0

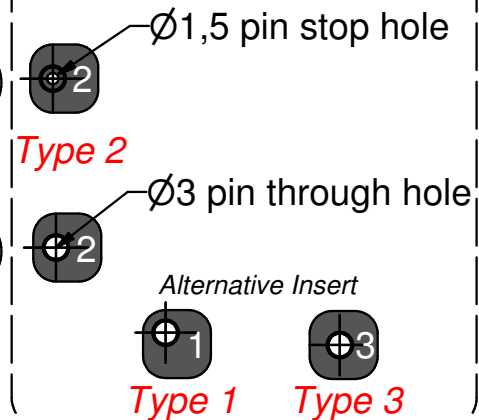
## - Fuel Tank - BAG 14

Capricorn RC

Note:  
The O-Ring positions depends  
on the thickness of RX Battery  
Please install the tank as low  
position as possible



### Cdr Insert



### Parts List

Rif.	n°	Code
1	1	Cap 2498
2	2	Cap 2049-P
3	2	Cap17031
4	2	Cap 2452
5	2	Cap17030
6	1	Cap 2441
7	1	Cap 2440
8	4	Cap18021
9	6	Cap170520B
10	1	Cap 2106B
11	2	Cap27002
12	2	Cap14038-Q
13	2	Cap14038-Q

Made in Italy

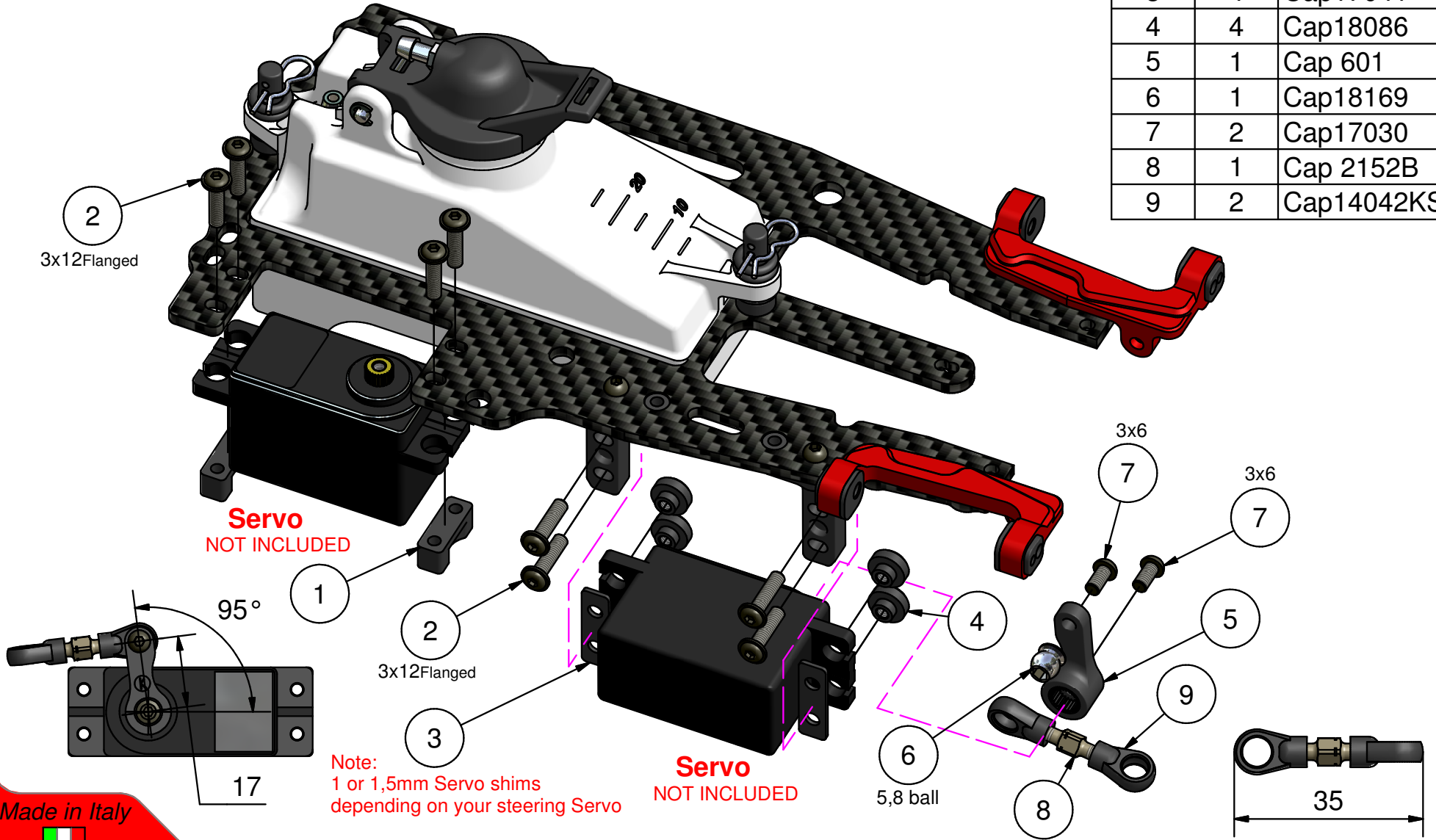


**Step 14.1**

**- Electronics -  
BAG 14**

*Capricorn RC*

Parts List		
Rif.	n°	Code
1	2	Cap16048
2	8	Cap17025
3	4	Cap17041
4	4	Cap18086
5	1	Cap 601
6	1	Cap18169
7	2	Cap17030
8	1	Cap 2152B
9	2	Cap14042KS

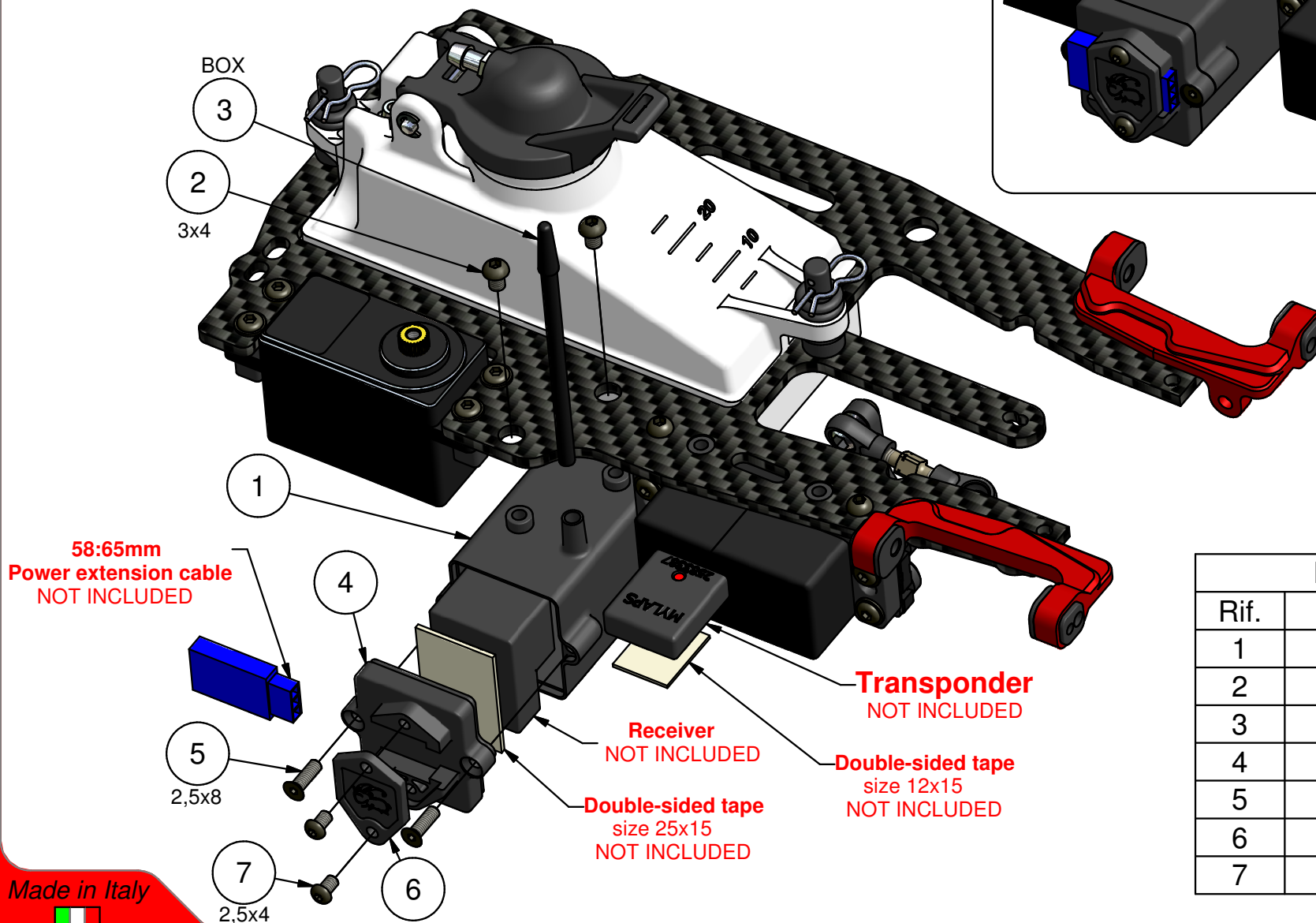
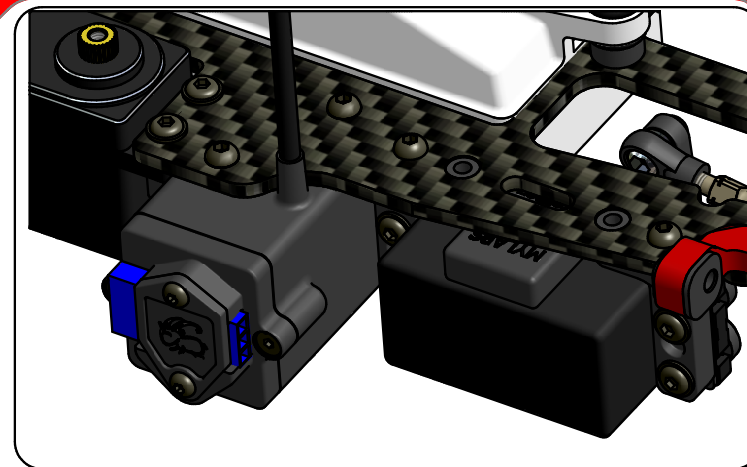


Made in Italy

# Step 14.2

## - Electronics - BAG 14

Capricorn RC



Parts List		
Rif.	n°	Code
1	1	Cap 2460-A
2	2	Cap18021
3	1	Cap14001
4	1	Cap 2460-B
5	2	Cap17022
6	1	Cap 2460-C
7	2	Cap18019

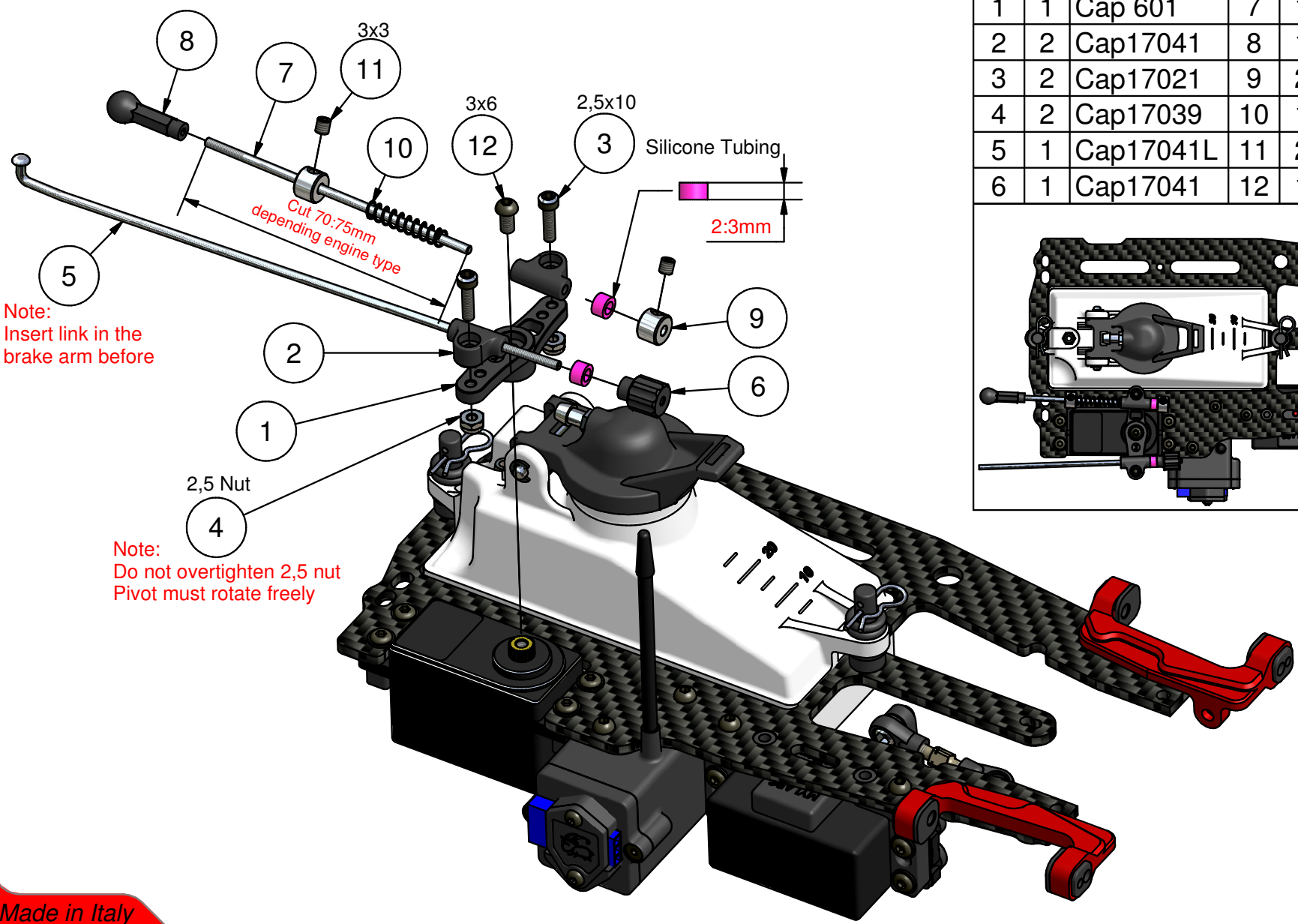
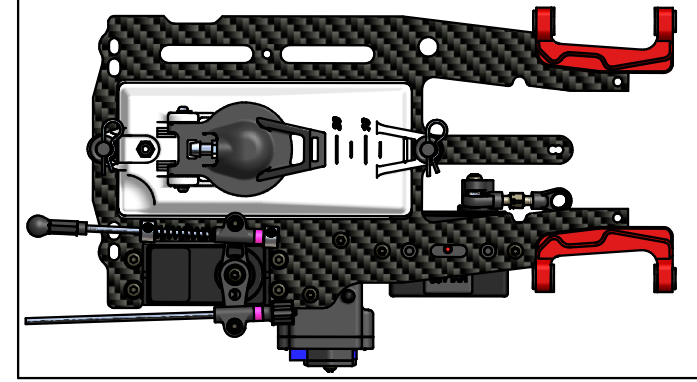
Made in Italy



# Step 14.3 - Gas/Brake Linkage - BAG 14

Capricorn RC

Parts List			Parts List		
Rif	n°	Code	Rif	n°	Code
1	1	Cap 601	7	1	Cap17041L
2	2	Cap17041	8	1	Cap17041
3	2	Cap17021	9	2	Cap16015
4	2	Cap17039	10	1	Cap17041
5	1	Cap17041L	11	2	Cap17006
6	1	Cap17041	12	1	Cap17030



Note: Insert link in the brake arm before

Note: Do not overtighten 2,5 nut  
Pivot must rotate freely

Made in Italy

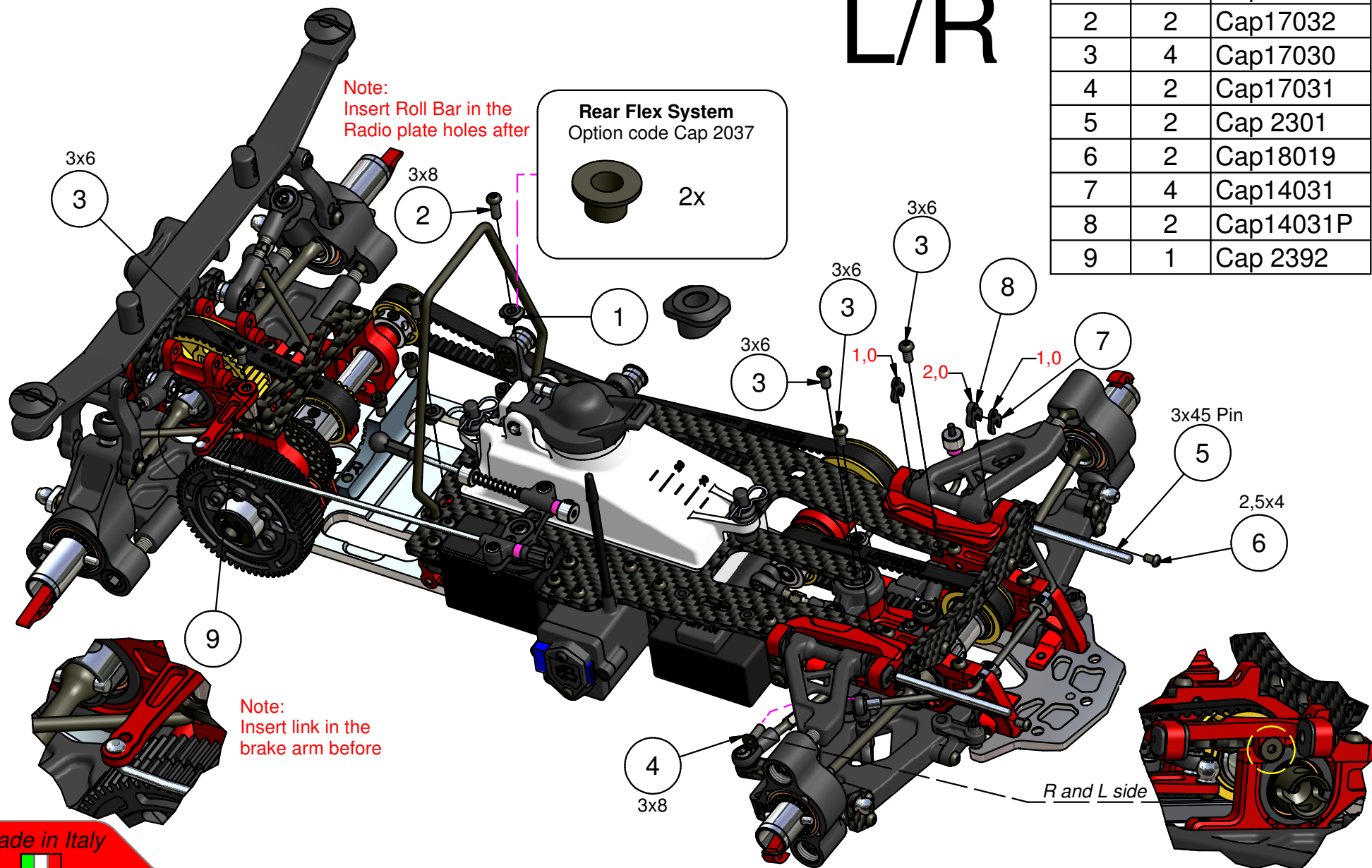
# Step 15.0

## - Radio Plate assembly - BAG 15

Capricorn RC

L/R

Parts List		
Rif.	n°	Code
1	2	Cap 2150
2	2	Cap17032
3	4	Cap17030
4	2	Cap17031
5	2	Cap 2301
6	2	Cap18019
7	4	Cap14031
8	2	Cap14031P
9	1	Cap 2392



Note:  
Insert Roll Bar in the  
Radio plate holes after

**Rear Flex System**  
Option code Cap 2037



Note:  
Insert link in the  
brake arm before

R and L side

Made in Italy





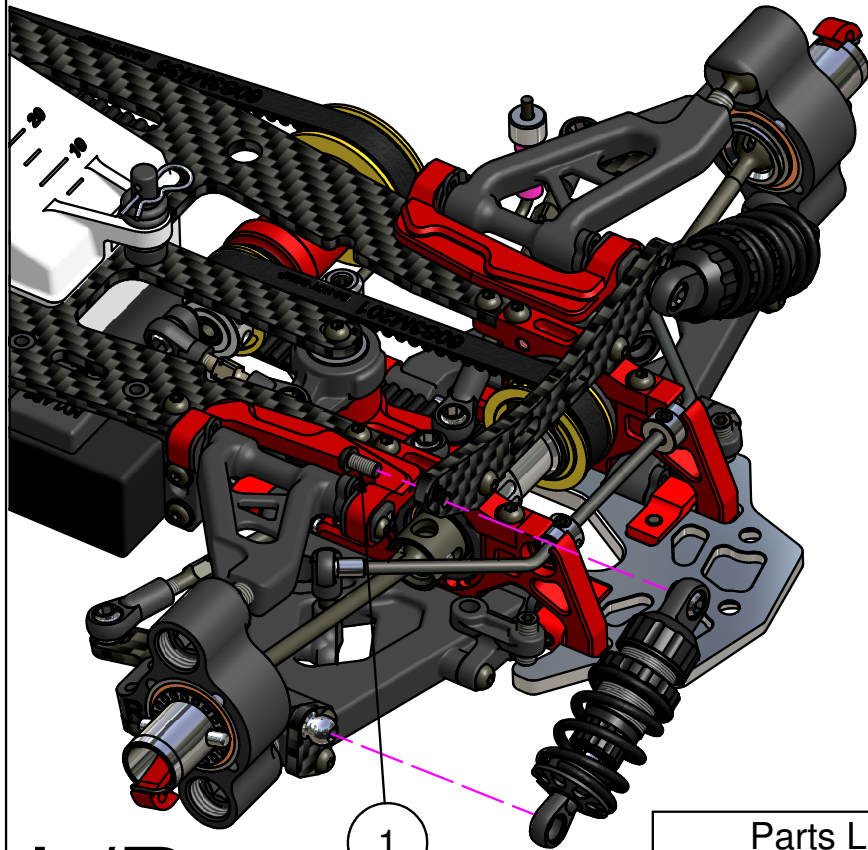
**Step 15.1** - Shock Assembly -  
BAG 15

*Capricorn RC*

Front



Initial Position

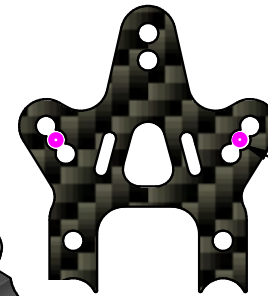


L/R

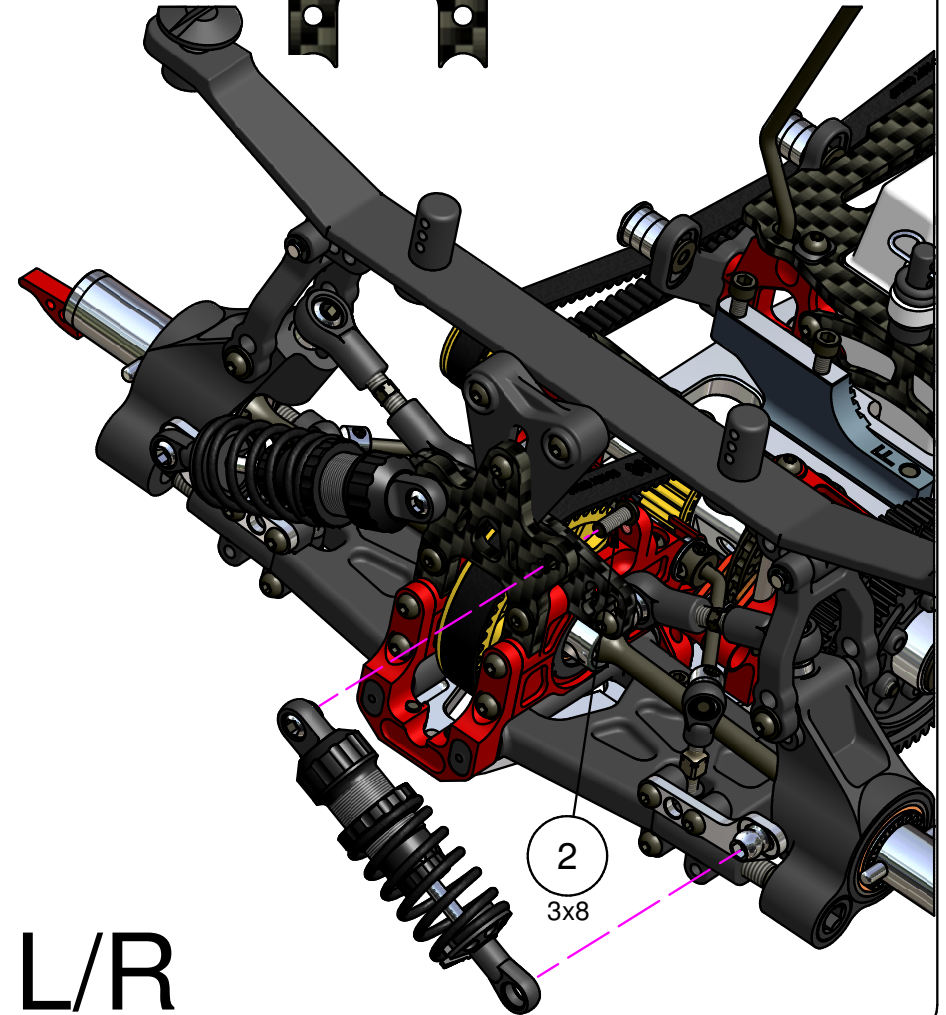
1  
3x6

Parts List		
Rif.	n°	Code
1	2	Cap17030
2	2	Cap17032

Rear



Initial Position



L/R

2  
3x8

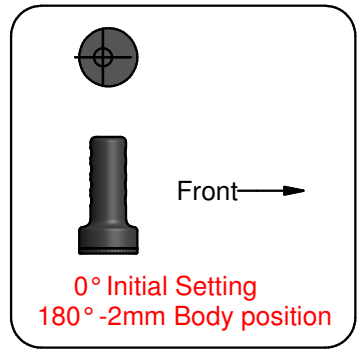
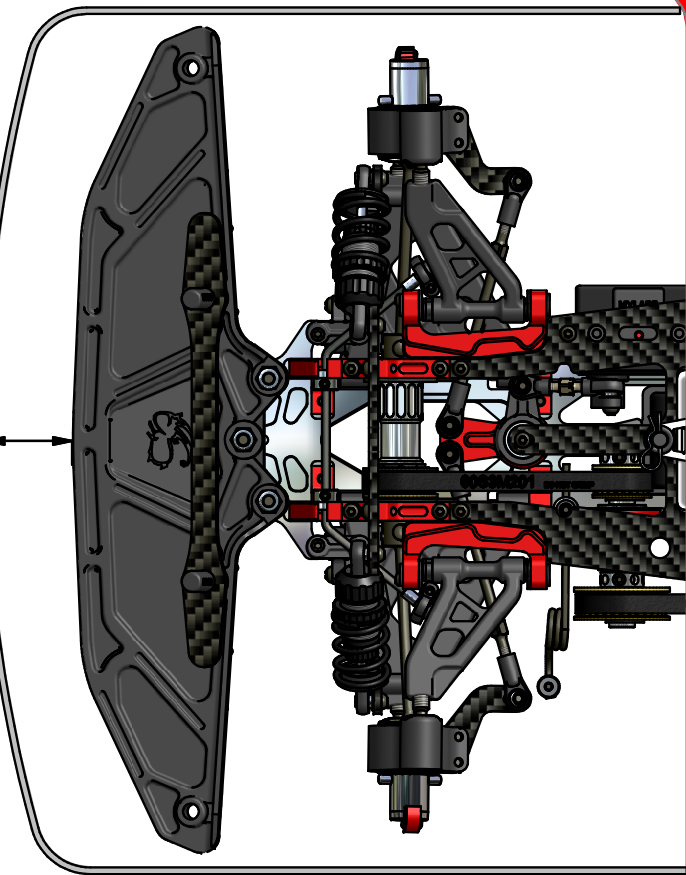
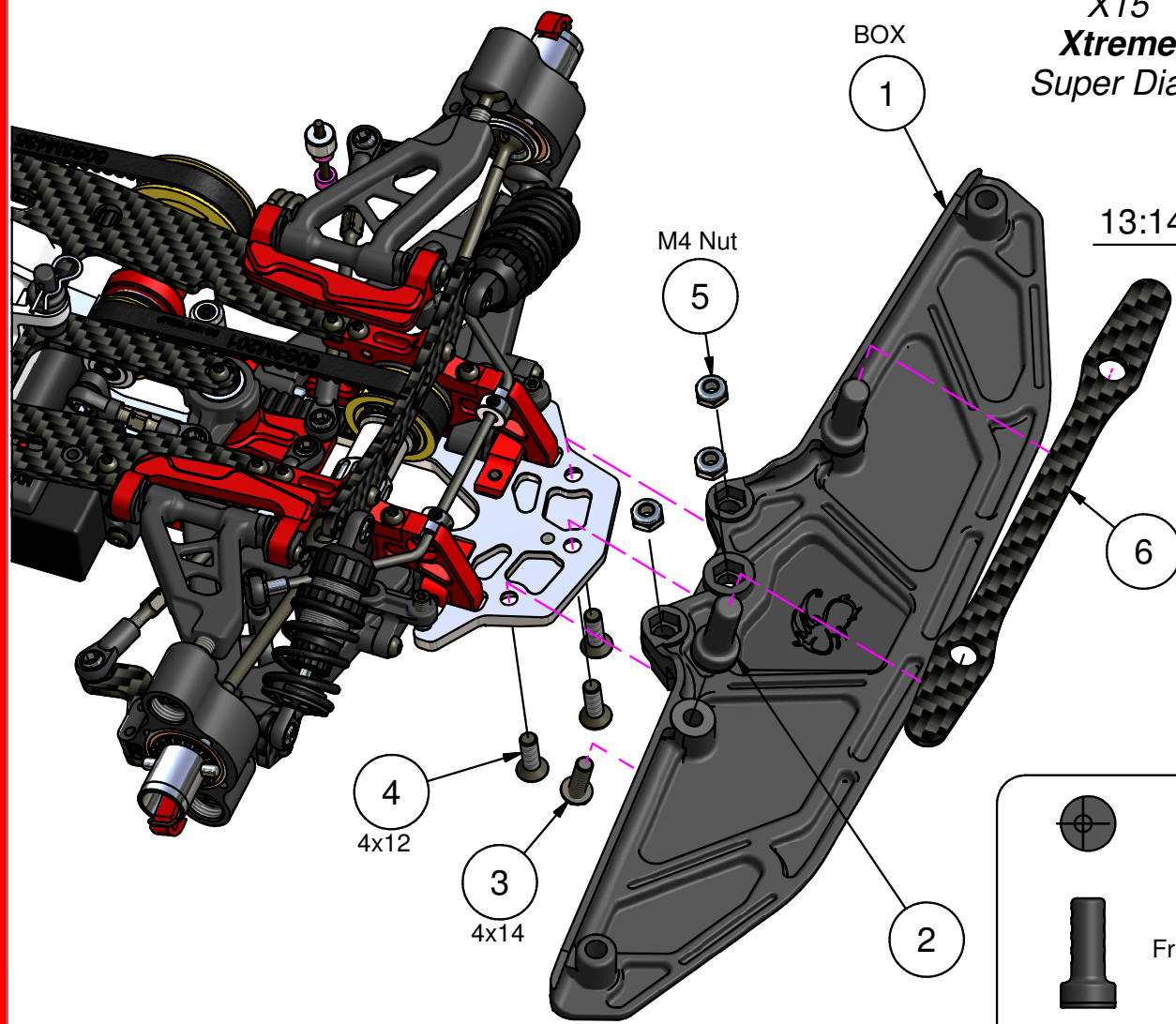
Made in Italy



# Step 15.2 - Bodymounts Assembly - BAG 15

Capricorn RC

Body Rif.  
Protoform  
X15  
Xtreme  
Super Diablo



Parts List		
Rif.	n°	Code
1	1	Cap 2458
2	2	Cap 2048-P
3	2	Cap 2397
4	3	Cap 2145
5	3	Cap 2112
6	1	Cap 2560L

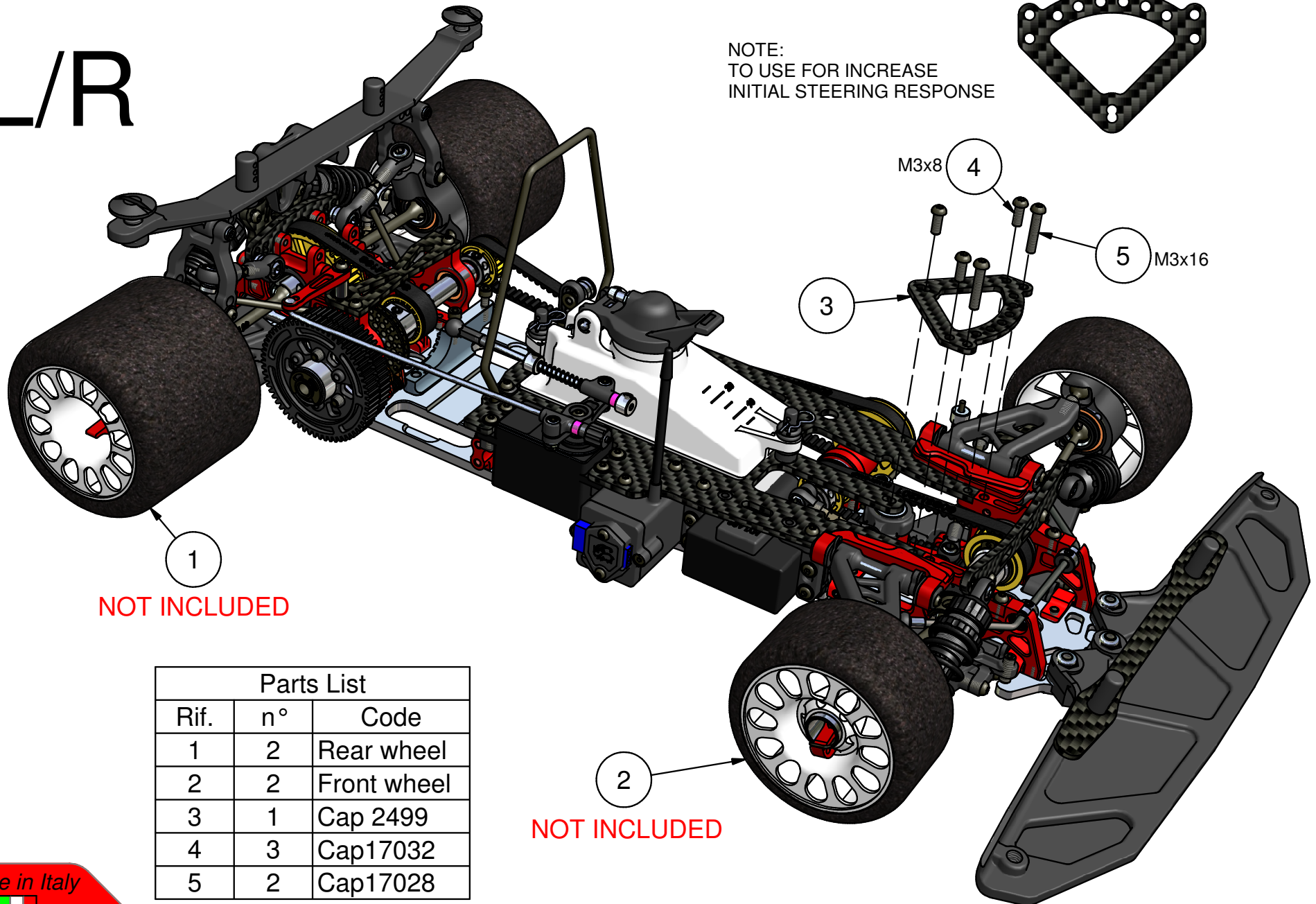
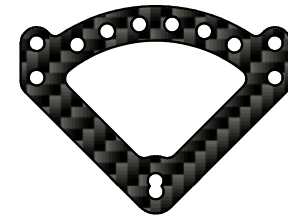
# Step 15.3 - Wheels assembly -

Capricorn RC

UPPER STIFFENER PLATE

L/R

NOTE:  
TO USE FOR INCREASE  
INITIAL STEERING RESPONSE



NOT INCLUDED

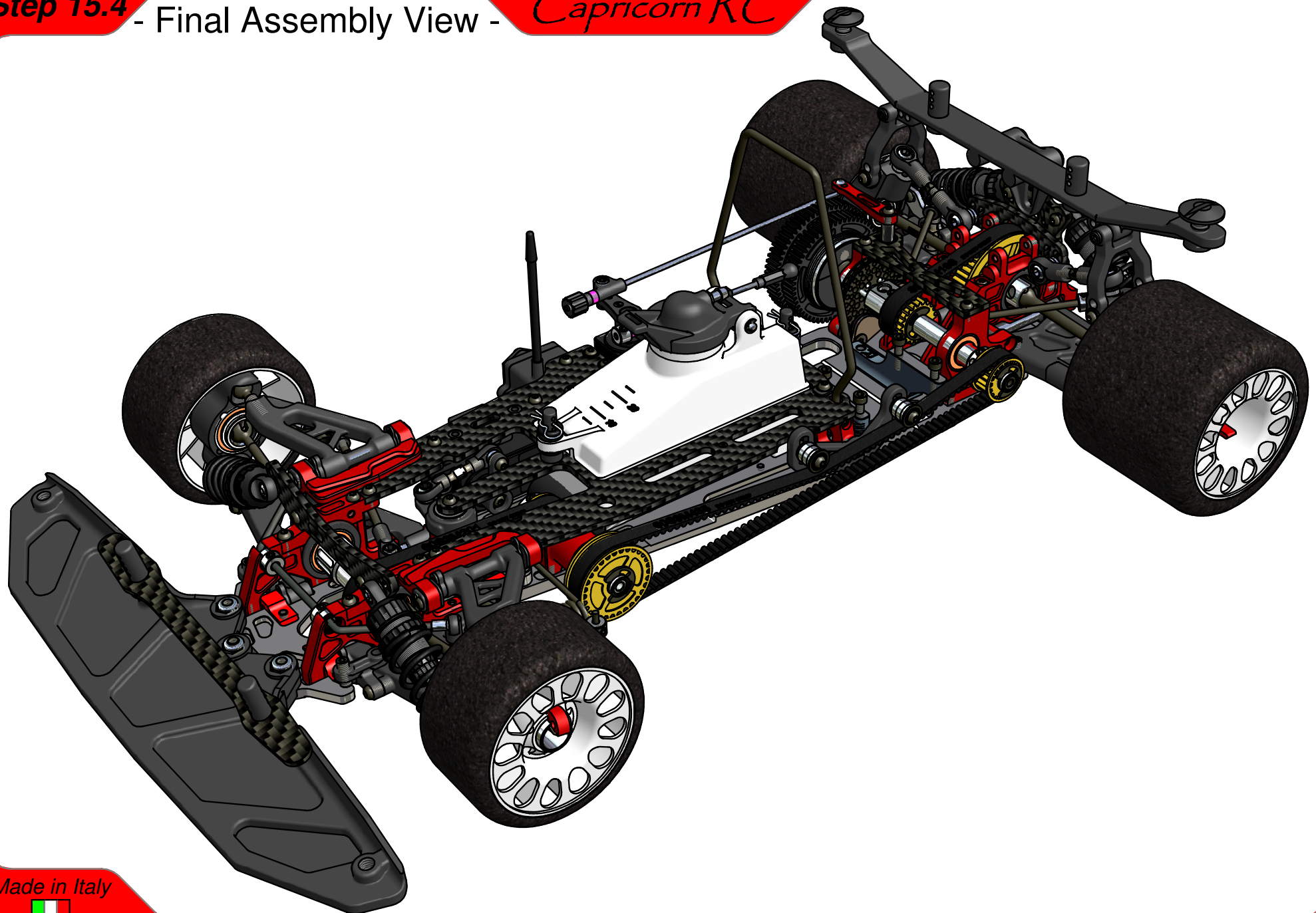
NOT INCLUDED

Parts List		
Rif.	n°	Code
1	2	Rear wheel
2	2	Front wheel
3	1	Cap 2499
4	3	Cap17032
5	2	Cap17028

Made in Italy

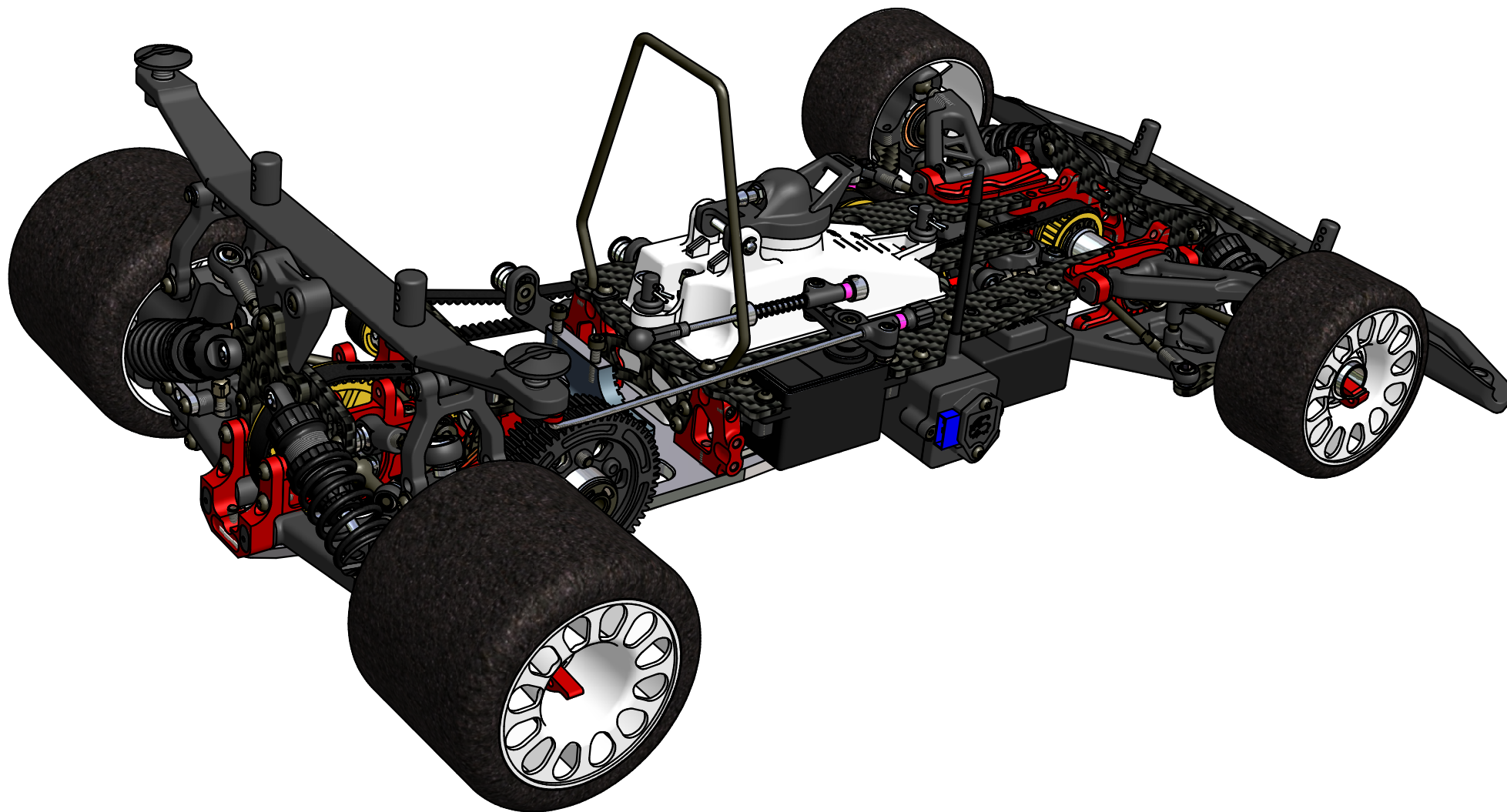


**Step 15.4** - Final Assembly View - *Capricorn RC*



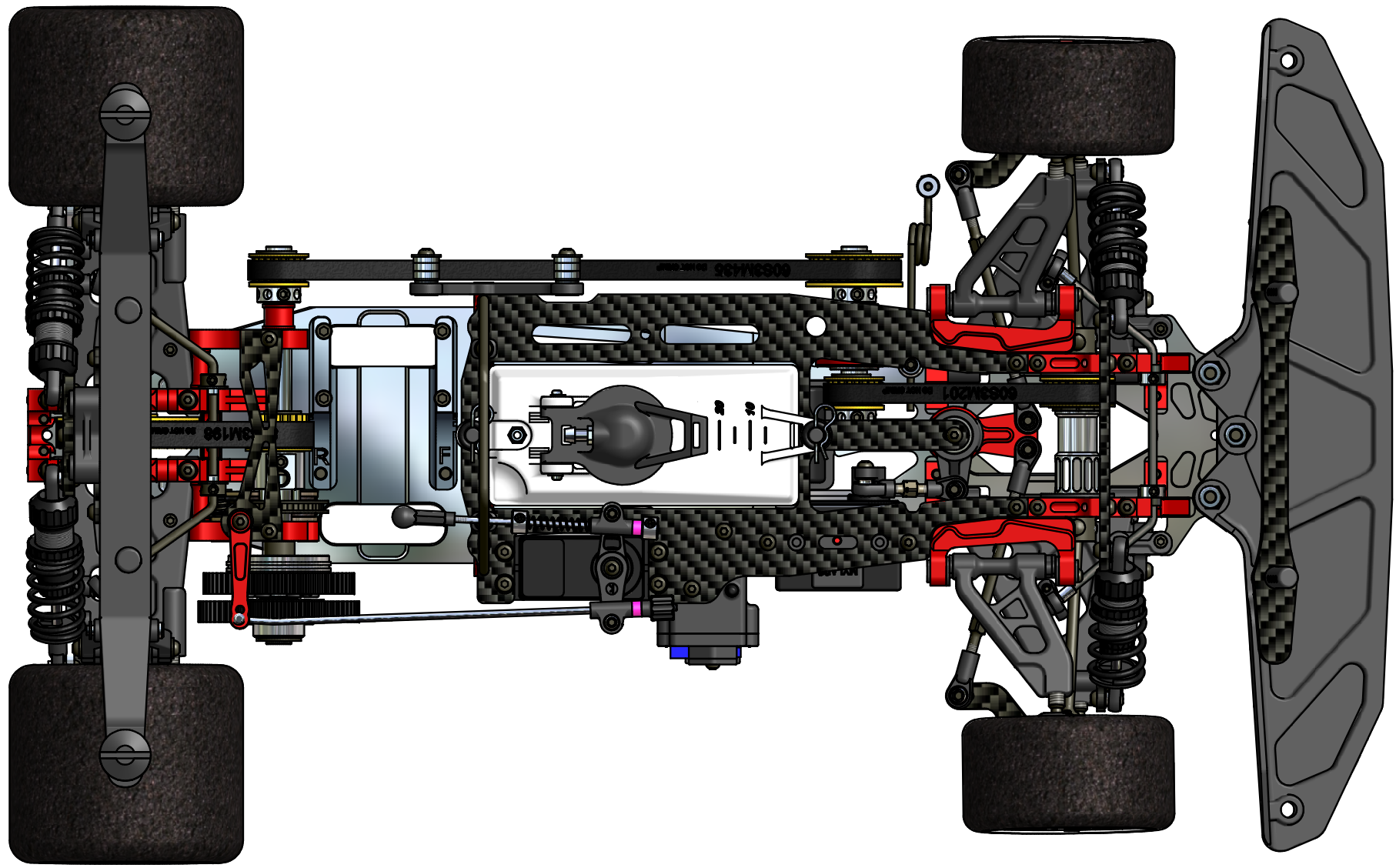
Made in Italy  


**Step 15.5** - Final Assembly View - *Capricorn RC*



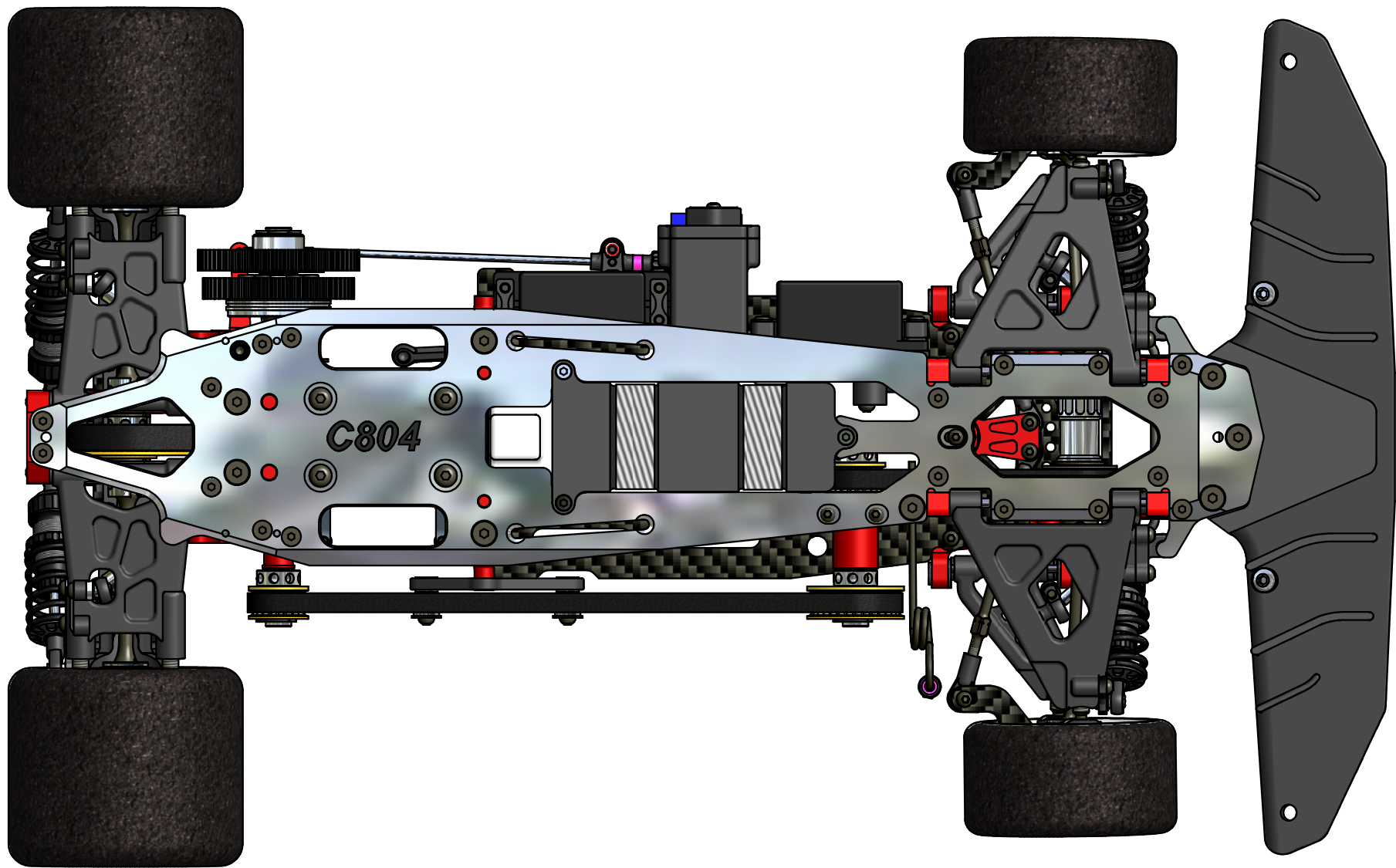
Made in Italy  


**Step 15.6** - Final Assembly View - *Capricorn RC*



Made in Italy  


Step 15.7 - Final Assembly View - *Capricorn RC*



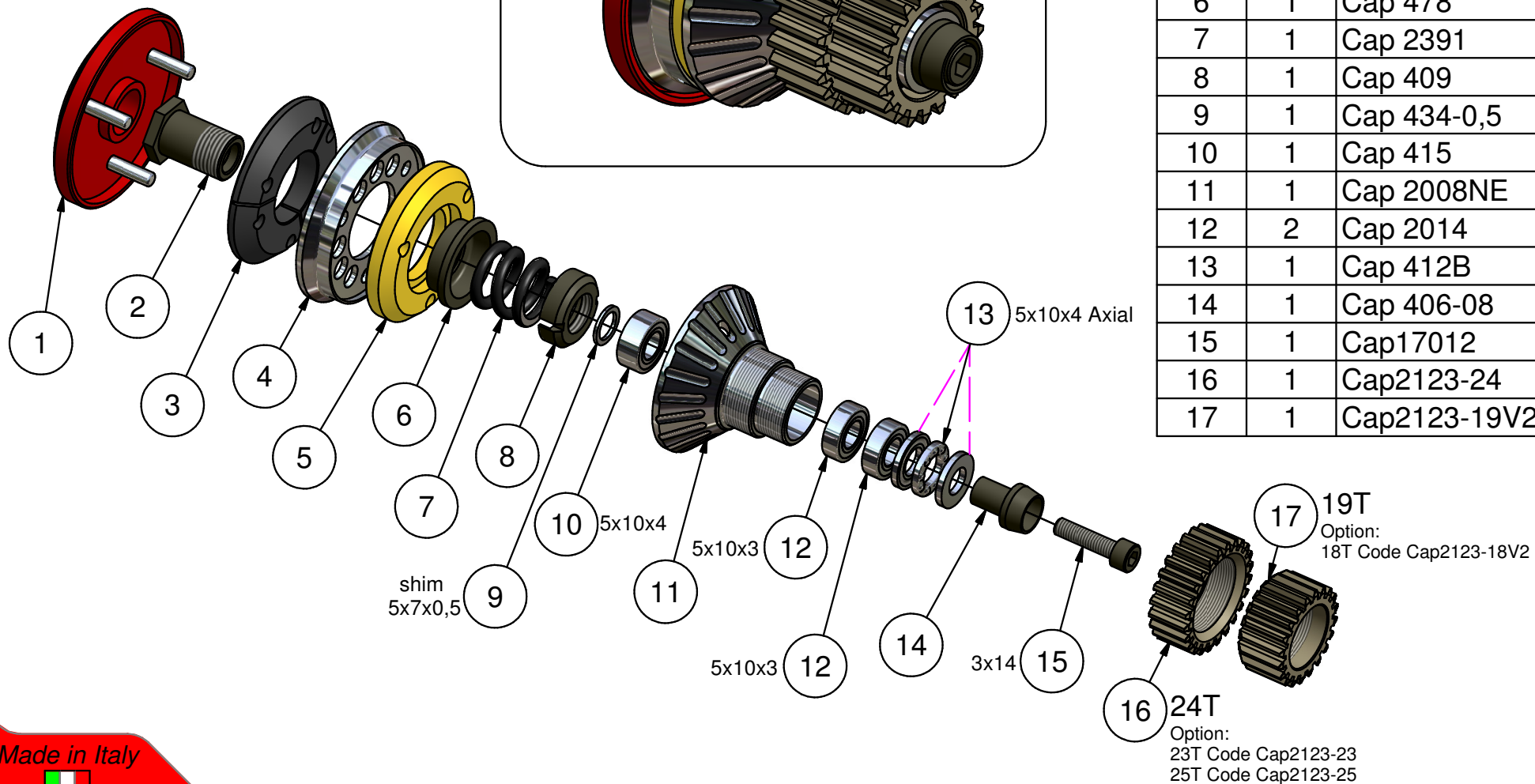
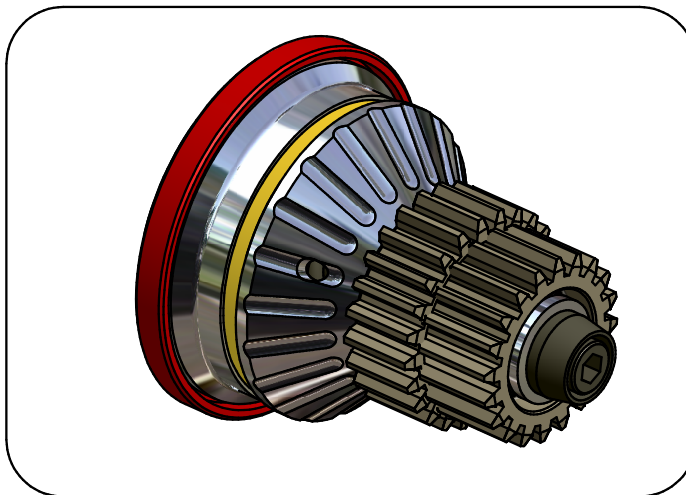
Made in Italy



# Step 16.0

## - Clutch - BAG 16

Capricorn RC



Parts List		
Rif.	n°	Code
1	1	Cap 2282
2	1	Cap 408
3	1	Cap 476-L
4	1	Cap 477RE
5	1	Cap 472B
6	1	Cap 478
7	1	Cap 2391
8	1	Cap 409
9	1	Cap 434-0,5
10	1	Cap 415
11	1	Cap 2008NE
12	2	Cap 2014
13	1	Cap 412B
14	1	Cap 406-08
15	1	Cap17012
16	1	Cap2123-24
17	1	Cap2123-19V2

Made in Italy

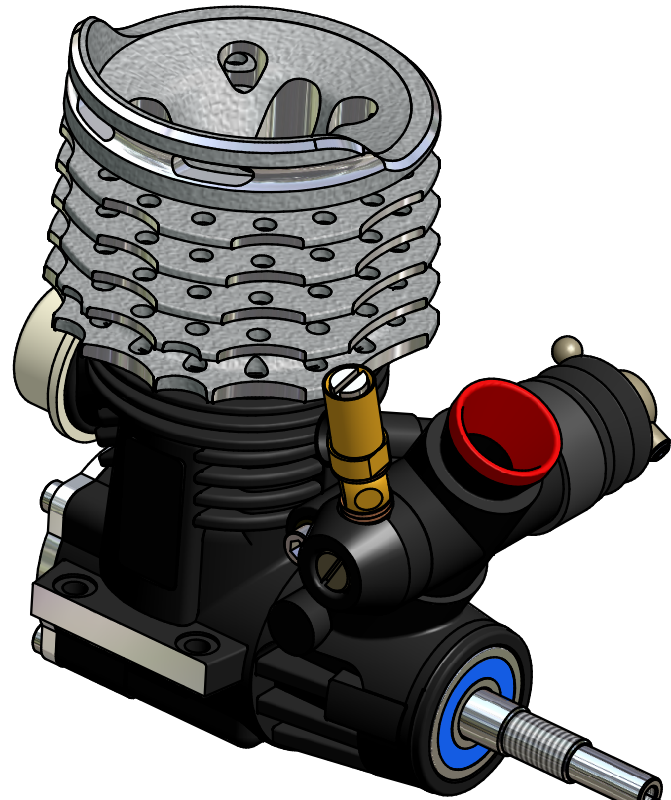




# Step 16.1

- Clutch -  
BAG 16

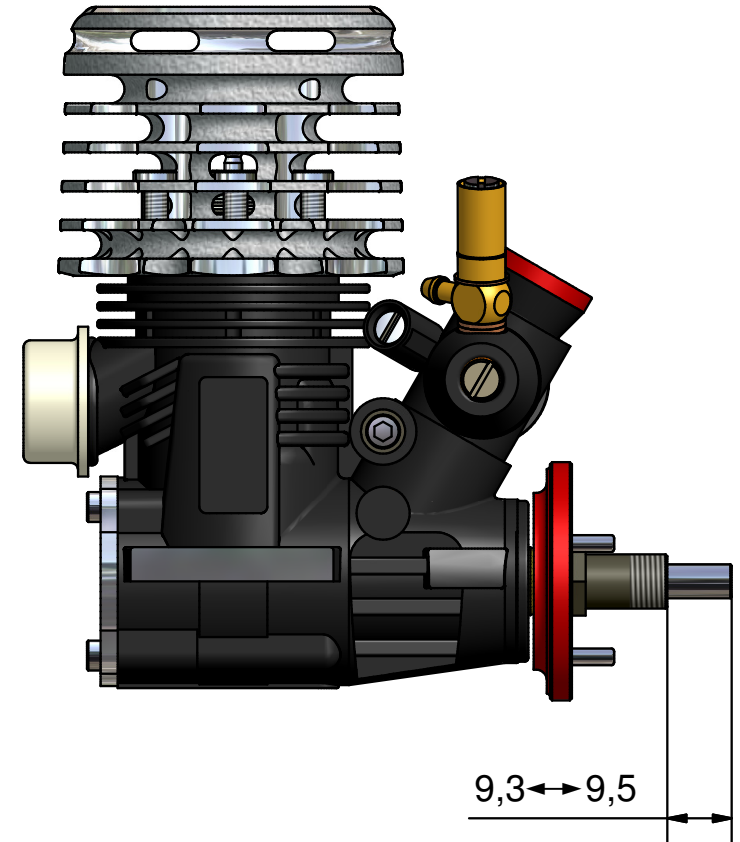
Capricorn RC



Shim for adjusting flywheel distance

Use the cone that comes  
with your engine

Note:  
Hard Tighten the clutch  
nut with 10mm Hex Tool



9,3 ↔ 9,5

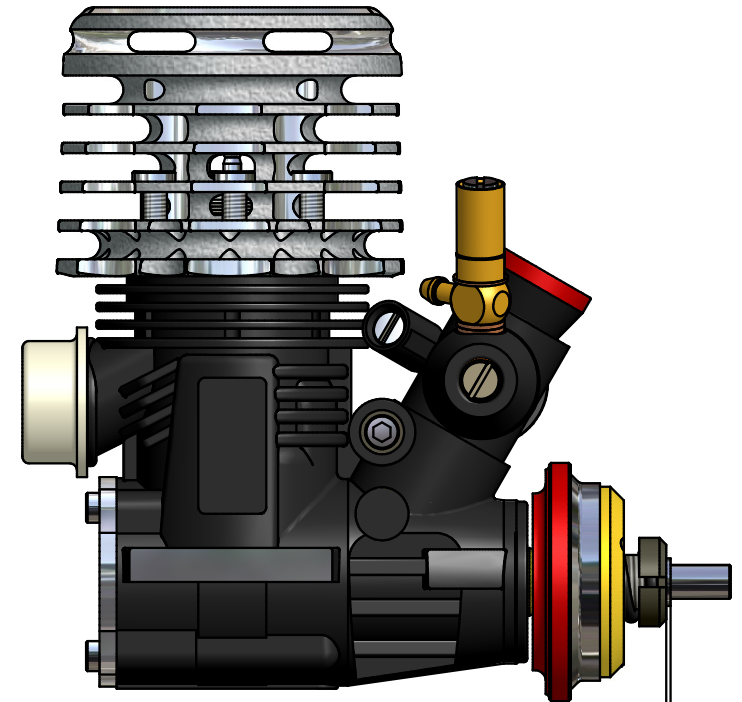
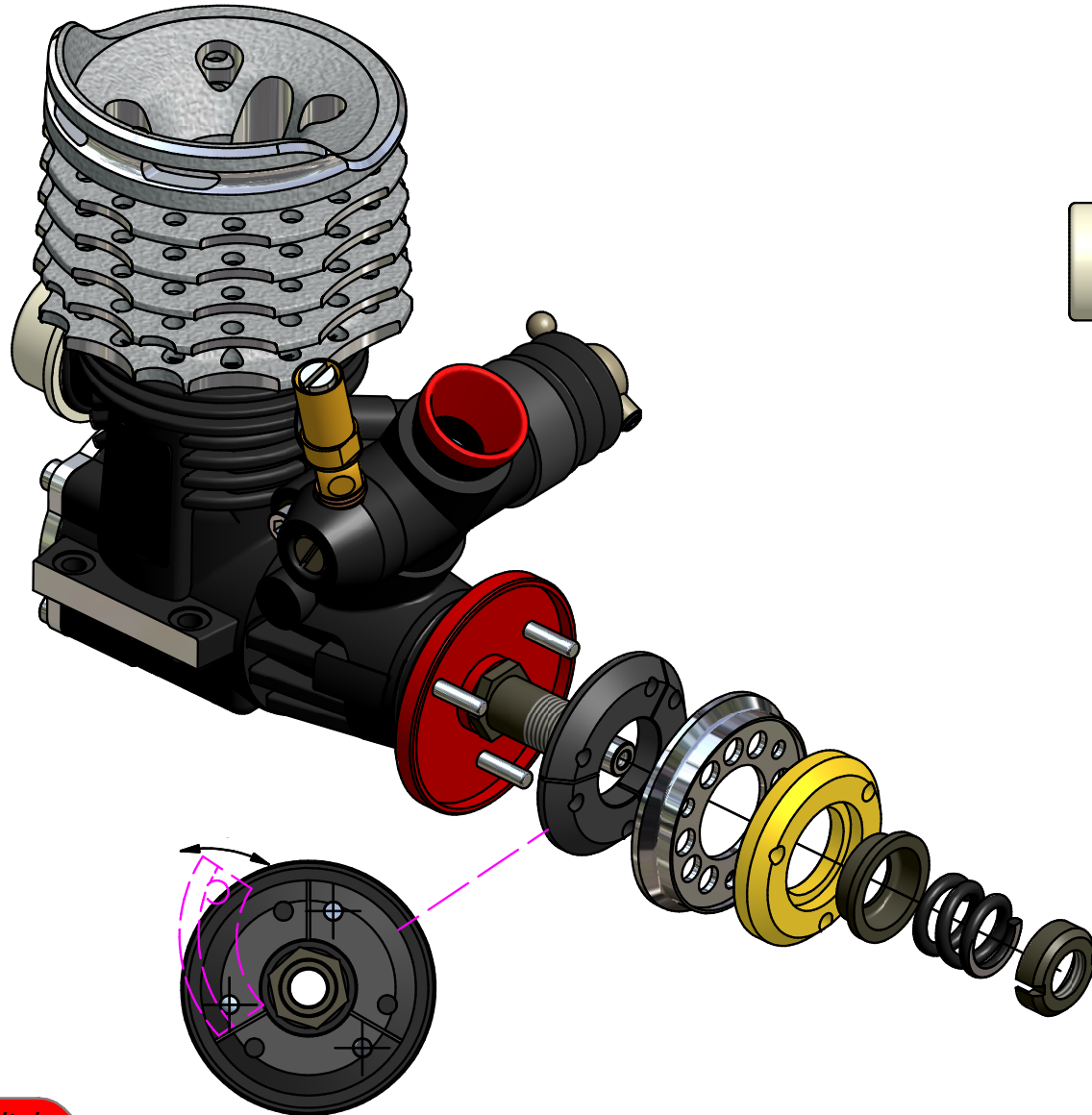
Made in Italy



Step 16.2

- Clutch -  
BAG 16

Capricorn RC



0,8 ↔ 1,3 Spring preload

Made in Italy

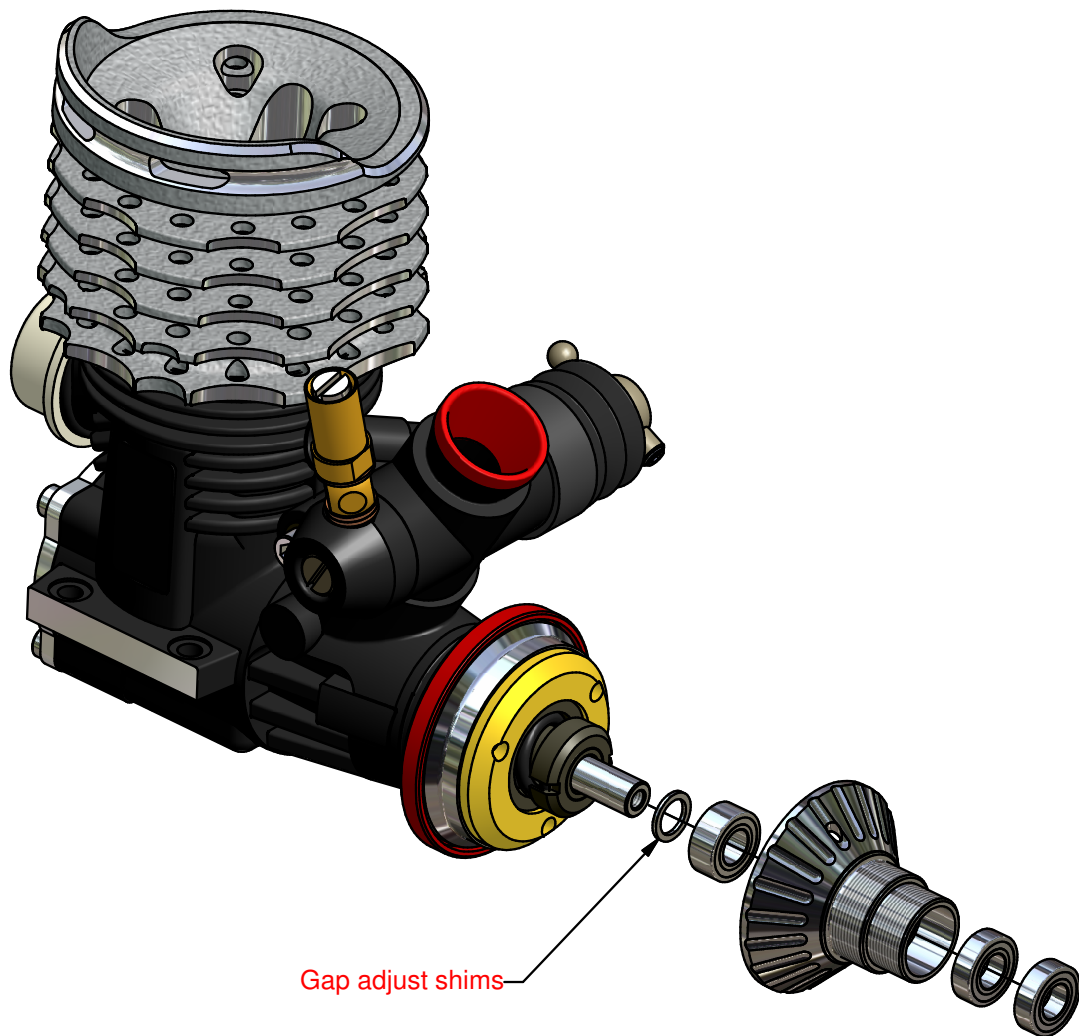


Left motion

# Step 16.3

- Clutch -  
BAG 16

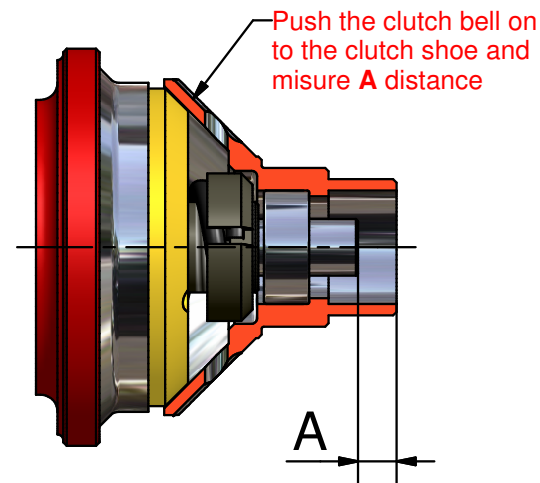
Capricorn RC



## Adjusting the clutch bell gap

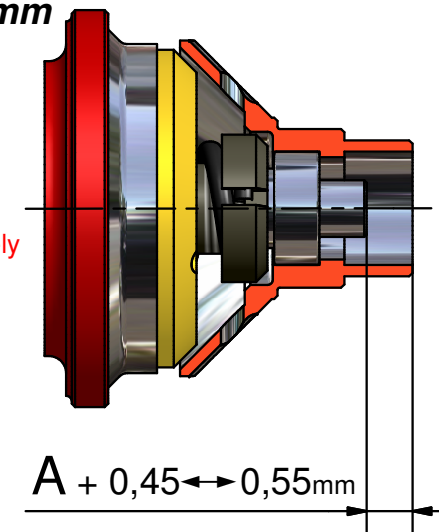
Gap = 0

Note:  
Do not install  
internal shims



Gap = 0,5mm

Note:  
install internal  
shims appropriately



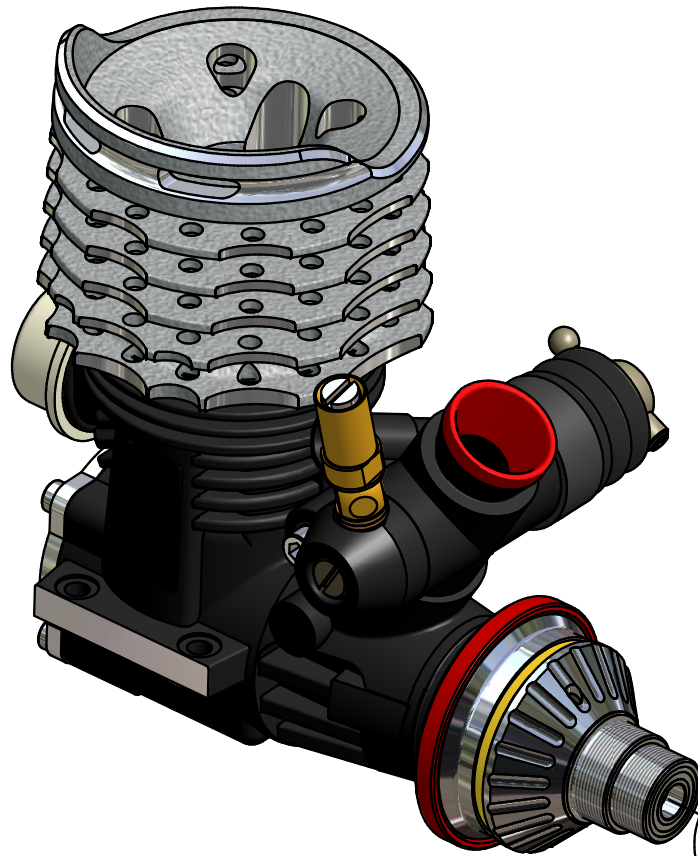
Made in Italy



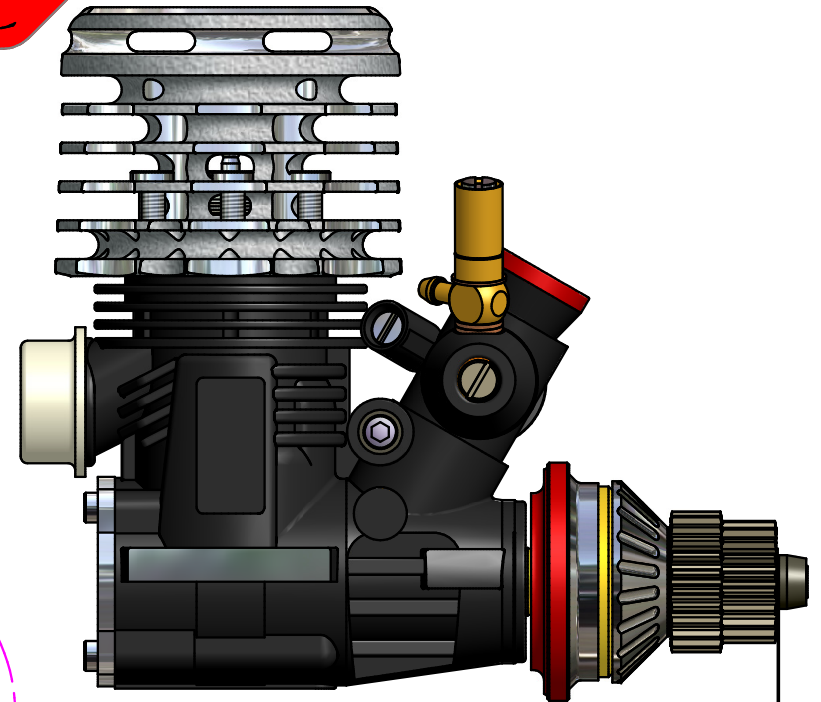
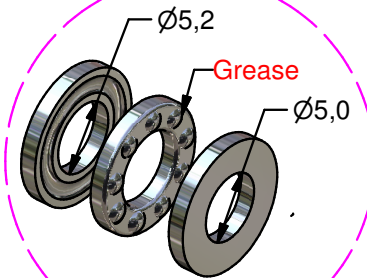
# Step 16.4

## - Clutch - BAG 16

Capricorn RC



### IMPORTANT NOTE

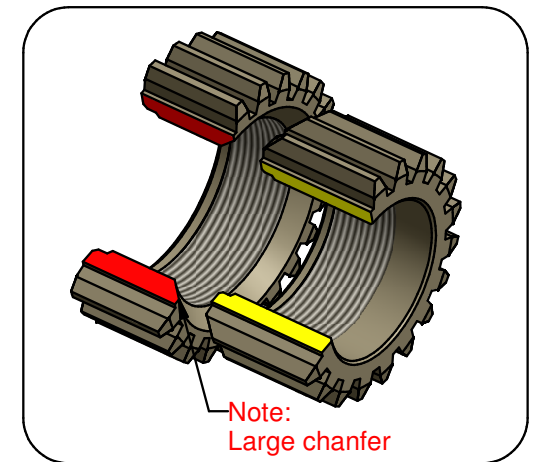


0,1 ↔ 0,15mm Endplay gap

Endplay shims

M0.8 24T  
(Option Z23-Z25)

M0.8 19T  
(Option 18T)



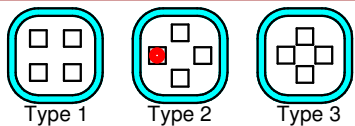
Made in Italy



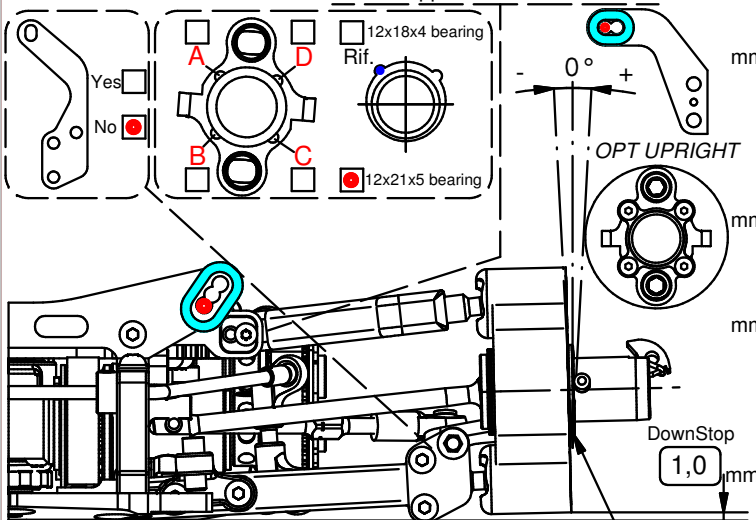
# C804 SL Default Set-Up Sheet

Capricorn RC

## Front



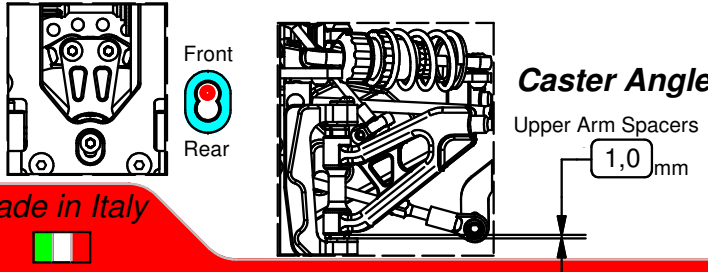
Upper Arm Position



7,0 mm Ride Height (TyreØ) 67 mm  
Offset 1,0 mm  
DownStop 1,0 mm  
GROUND

CAMBER		TOE / SIDE		WIDHT	
LEFT	-1,5°	-1,5°		252,0 mm	
RIGHT	-1,5°	WHEELBASE SHIM			
		Rear	Front		

ACKERMANN INSERTS						S.SAVER ARM	
8,5	9	10	11	12		MONOLITHIC	



Made in Italy

## FRONT REAR

LEFT		RIGHT		TYRES		LEFT		RIGHT	
32	32	67	67	BRAND		35	35	SHORE	
				DIAMETER		74	74		

SHOCK ABSORBERS			
<input checked="" type="checkbox"/> STD	<input type="checkbox"/> S.SHORT	TYPE	
600		STD Long	
Blue		600	
3	1,1	OIL	
		Spring	
		Red	
		PISTON / Ø	
		3 1,1	

ANTI-ROLL BARS			
Wire	TYPE		Wire
2,3	Ø		2,6
		F1 DEPTH	

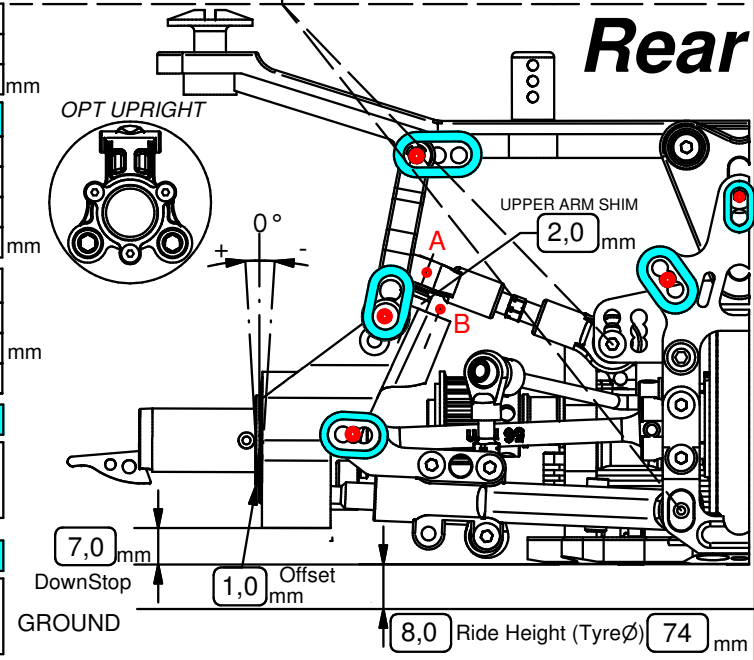
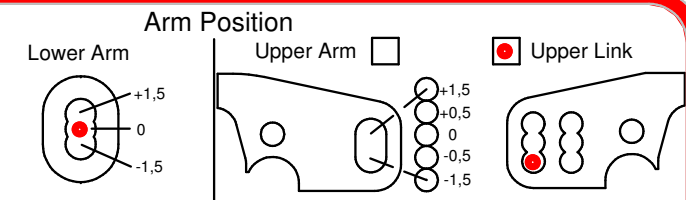
1 ST SPUR GEAR			2 ND		
<input type="checkbox"/>	<input type="checkbox"/>	<input checked="" type="checkbox"/>	<input type="checkbox"/>	<input type="checkbox"/>	<input checked="" type="checkbox"/>
60	61	62	56	57	58

1 ST PINION		2 ND	
<input type="checkbox"/>	<input checked="" type="checkbox"/>	<input type="checkbox"/>	<input checked="" type="checkbox"/>
18	19	23	24

DRIVE TRAIN		UPRIGHT		FLEX	
MIDDLE AXLE PULLEY	<input type="checkbox"/>	Diff.	<input checked="" type="checkbox"/>	Rear	Front
	29	30		STD	OPT
				<input type="checkbox"/>	<input type="checkbox"/>
				Stiff	

POWER PACK			
BRAND/TYPE		MANIFOLD	
PLUG	7	FUEL/NITRO%	16
CLUTCH BELL GAP	0,5	END PLAY	0,2
CLUTCH SPRING	HARD	SPRING PRELOAD	0,6

SET-UP SHEET	
NAME	
DATE	
TEMP	
TRACK	
TRACTION	
RESULT	BEST LAP



CAMBER		TOE / SIDE		WIDHT	
LEFT	-3,5°	2,5°		262,0 mm	
RIGHT	-3,5°	WING POSITION		8,0 mm	

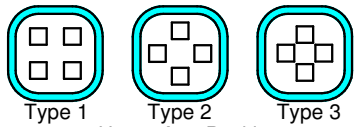
ARM POSITION		BODY TYPE		BODY POSITION	
A	<input checked="" type="checkbox"/>	B	<input type="checkbox"/>	13,0 mm	

BODY COLUMNS POSITION		
Side Brass weight strip	Battery Plate	Adj Weight
<input type="checkbox"/> R <input checked="" type="checkbox"/> 8,5 gr <input type="checkbox"/> F	Plastic <input type="checkbox"/> gr	<input type="checkbox"/> n° Posit.
Type		
Additional notes		

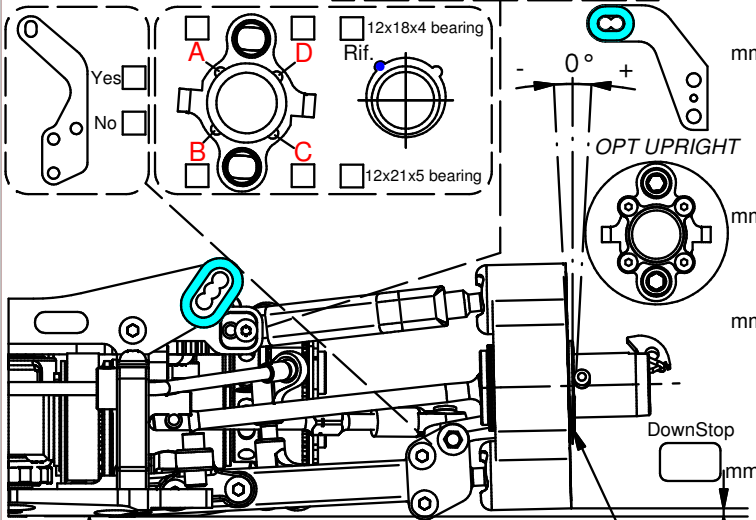
# C804 SL Blank Set-Up Sheet

Capricorn RC

## Front



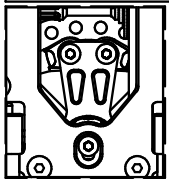
Upper Arm Position



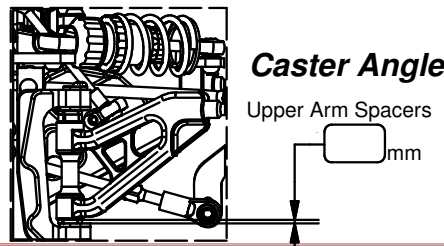
mm Ride Height (TyreØ) mm  
GROUND

CAMBER		TOE / SIDE		WIDHT	
LEFT					
RIGHT					
WHEELBASE SHIM				Rear	Front

ACKERMANN INSERTS						S.SAVER ARM	
8,5	9	10	11	12		MONOLITHIC	



Front  
Rear



Caster Angle

Upper Arm Spacers  
mm

## FRONT

## REAR

LEFT	RIGHT	TYRES	LEFT	RIGHT
		BRAND		
		SHORE		
		DIAMETER		

SHOCK ABSORBERS				
<input type="checkbox"/> STD	<input type="checkbox"/> S.SHORT	TYPE		
		OIL		
		SPRING		
		PISTON / Ø		

ANTI-ROLL BARS				
		TYPE		
		Ø		
		F1 DEPTH		

1 ST		SPUR GEAR			2 ND	
<input type="checkbox"/>	<input type="checkbox"/>	<input type="checkbox"/>	<input type="checkbox"/>	<input type="checkbox"/>	<input type="checkbox"/>	<input type="checkbox"/>
60	61	62	56	57	58	

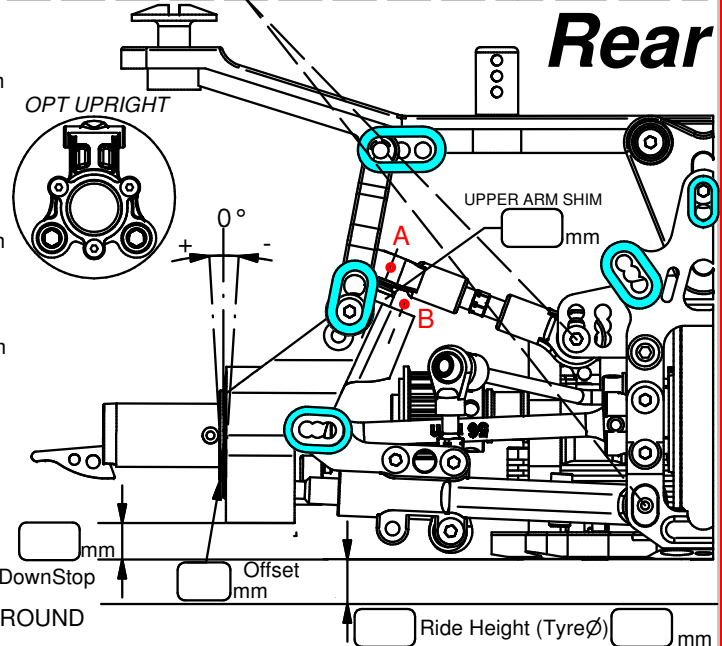
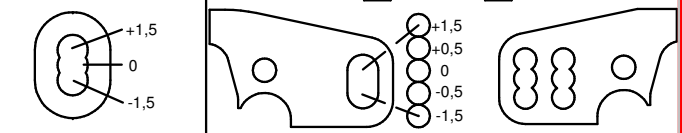
1 ST		PINION		2 ND	
<input type="checkbox"/>	<input type="checkbox"/>	<input type="checkbox"/>	<input type="checkbox"/>	<input type="checkbox"/>	<input type="checkbox"/>
18	19	23	24		

DRIVE TRAIN		UPRIGHT		FLEX	
MIDDLE AXLE PULLEY	<input type="checkbox"/> Diff.	<input type="checkbox"/> STD	<input type="checkbox"/> OPT	Rear	Front
29	30				Stiff.

POWER PACK	
BRAND/TYPE	MANIFOLD
PLUG	FUEL/NITRO%
CLUTCH BELL GAP	END PLAY
CLUTCH SPRING	SPRING PRELOAD

SET-UP SHEET	
NAME	
DATE	
TEMP	
TRACK	
TRACTION	
RESULT	BEST LAP

## Arm Position



CAMBER		TOE /SIDE		WIDHT	
LEFT					
RIGHT					
WING POSITION					

ARM POSITION		BODY TYPE		BODY POSITION	
A	B				

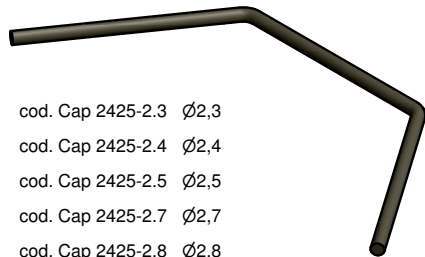
BODY COLUMNS POSITION			Forward	Backwards
Side Brass weight strip	Battery Plate	Adj Weight		
<input type="checkbox"/> R <input type="checkbox"/> 8,5 gr <input type="checkbox"/> F	<input type="checkbox"/> gr	<input type="checkbox"/> gr		
<input type="checkbox"/> screws --- position	Type	n° Posit.		
Additional notes				

Made in Italy



- Option Parts -

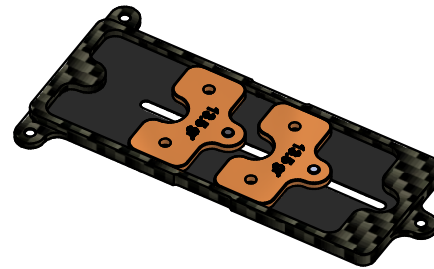
Capricorn RC



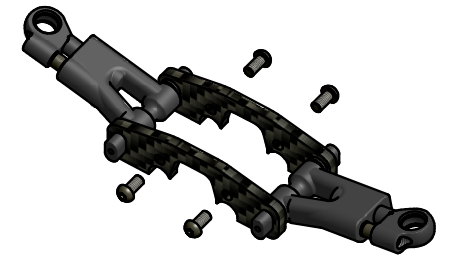
- cod. Cap 2425-2.3 Ø2,3
- cod. Cap 2425-2.4 Ø2,4
- cod. Cap 2425-2.5 Ø2,5
- cod. Cap 2425-2.7 Ø2,7
- cod. Cap 2425-2.8 Ø2,8
- cod. Cap 2425-2.9 Ø2,9
- cod. Cap 2425-3.0 Ø3,0



- cod. Cap 2180-2.0 Ø2,0
- cod. Cap 2180-2.5 Ø2,5
- cod. Cap 2180-2.7 Ø2,7

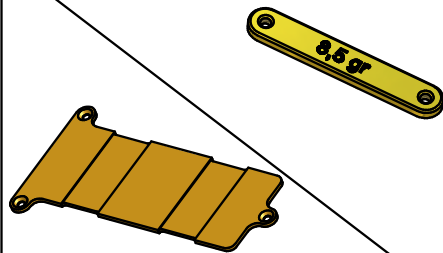


cod. Cap18167



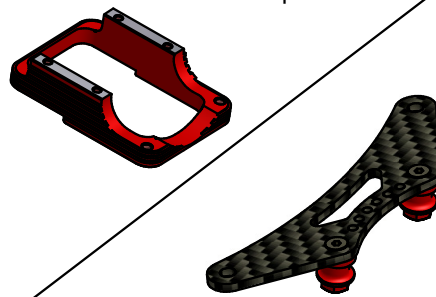
cod. Cap 2465

cod. Cap18140-2



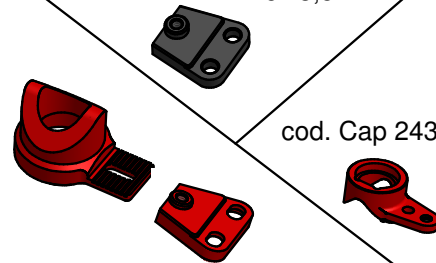
- cod. Cap15014-C 34gr
- cod. Cap18132 55gr
- cod. Cap15014-W 85gr

cod. Cap 2210



cod. Cap 2492-K

cod. Cap 2280-K  
Ack 8,5



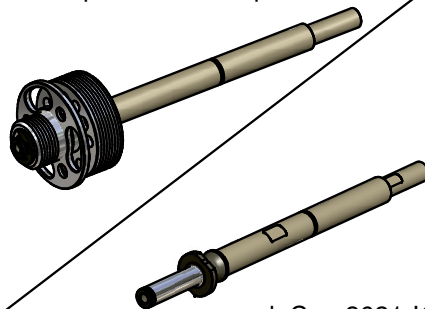
cod. Cap 2435

cod. Cap 2181-K



cod. Cap 2294

cod. Cap 2621-K + Cap 2623-K



cod. Cap 2621-K

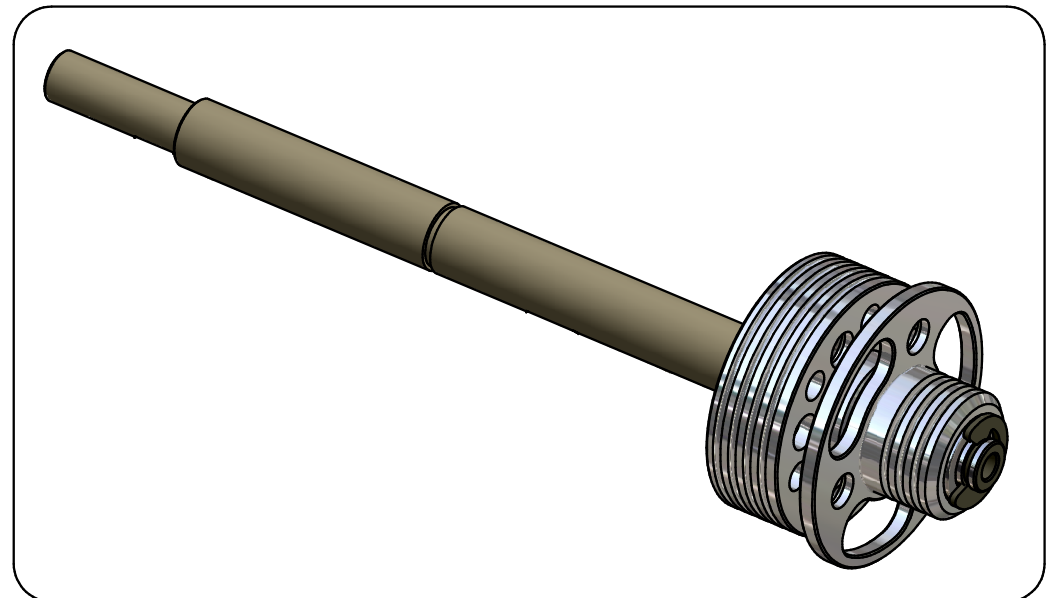
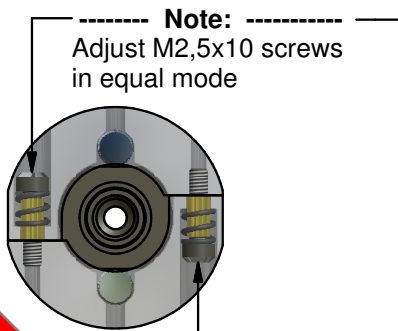
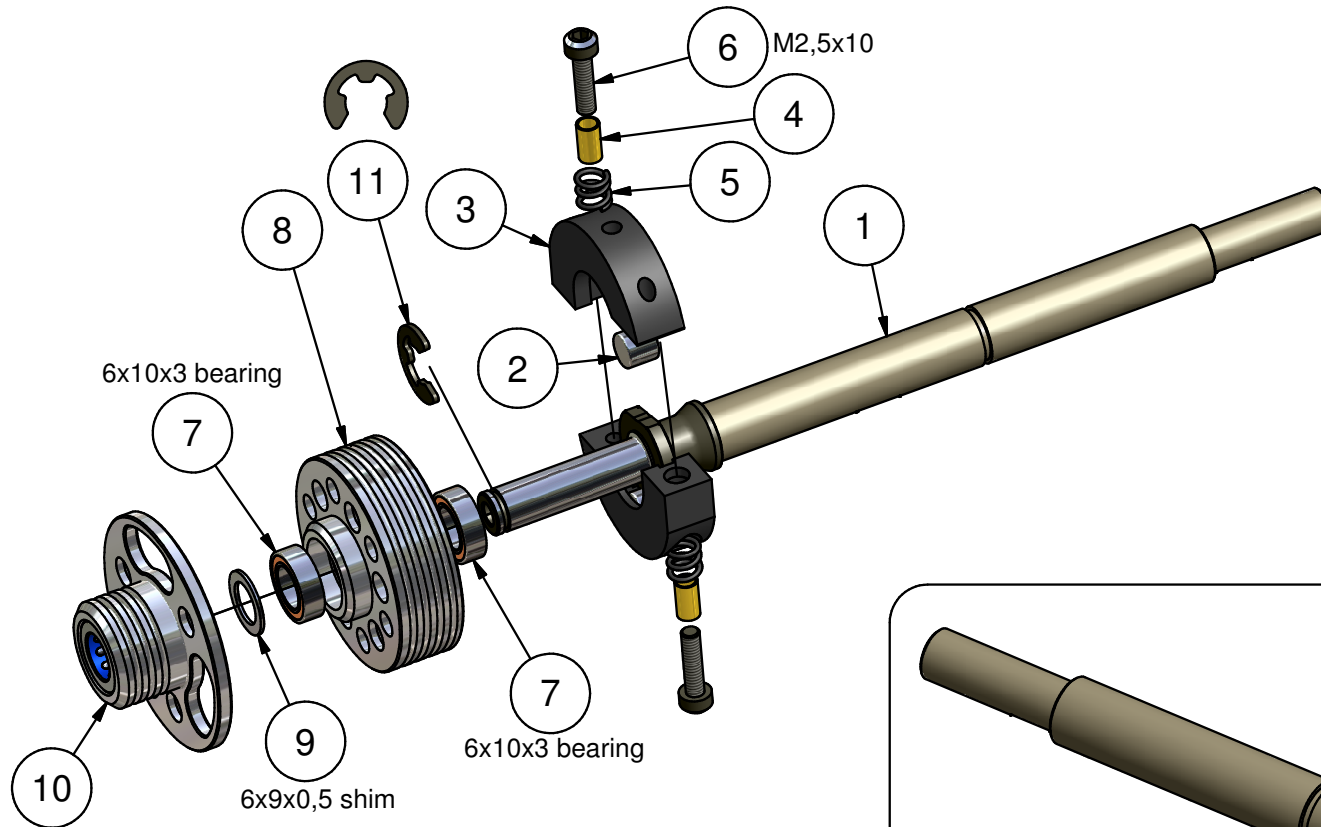
Made in Italy



# - C804 XLight Gearbox - *Capricorn RC*

Code Cap 2621-K + Cap 2623-K

Parts List		
Rif.	n°	Code
1	1	Cap 2621-K
2	2	Cap16062
3	2	Cap14032
4	2	Cap16011
5	2	Cap16031
6	2	Cap17021
7	2	Cap16079
8	1	Cap18110
9	1	Cap18080
10	1	Cap18118
11	1	Cap17002





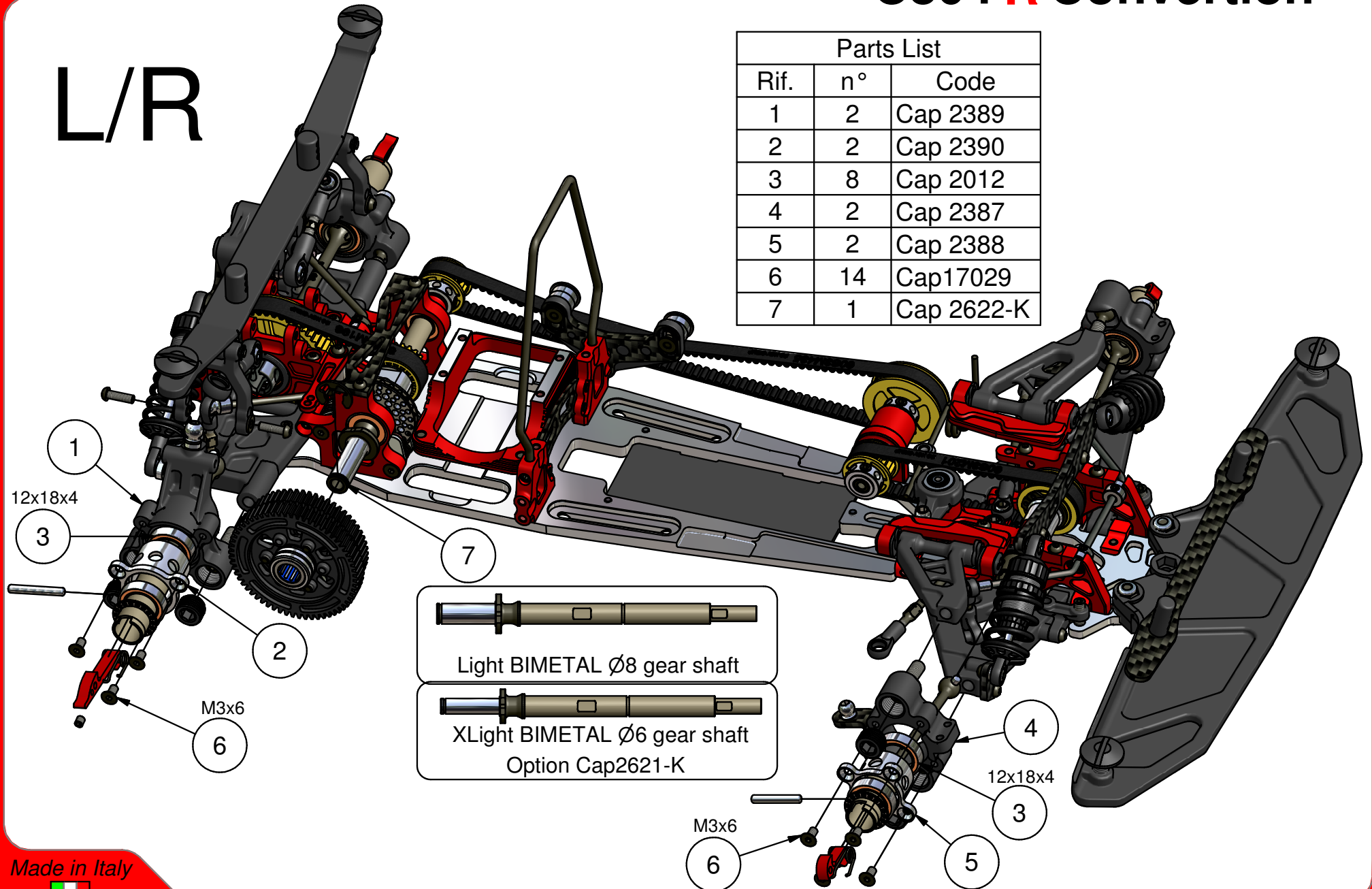


# Step 1.0

# Capricorn RC - C804 R Conversion -

## L/R

Parts List		
Rif.	n°	Code
1	2	Cap 2389
2	2	Cap 2390
3	8	Cap 2012
4	2	Cap 2387
5	2	Cap 2388
6	14	Cap17029
7	1	Cap 2622-K



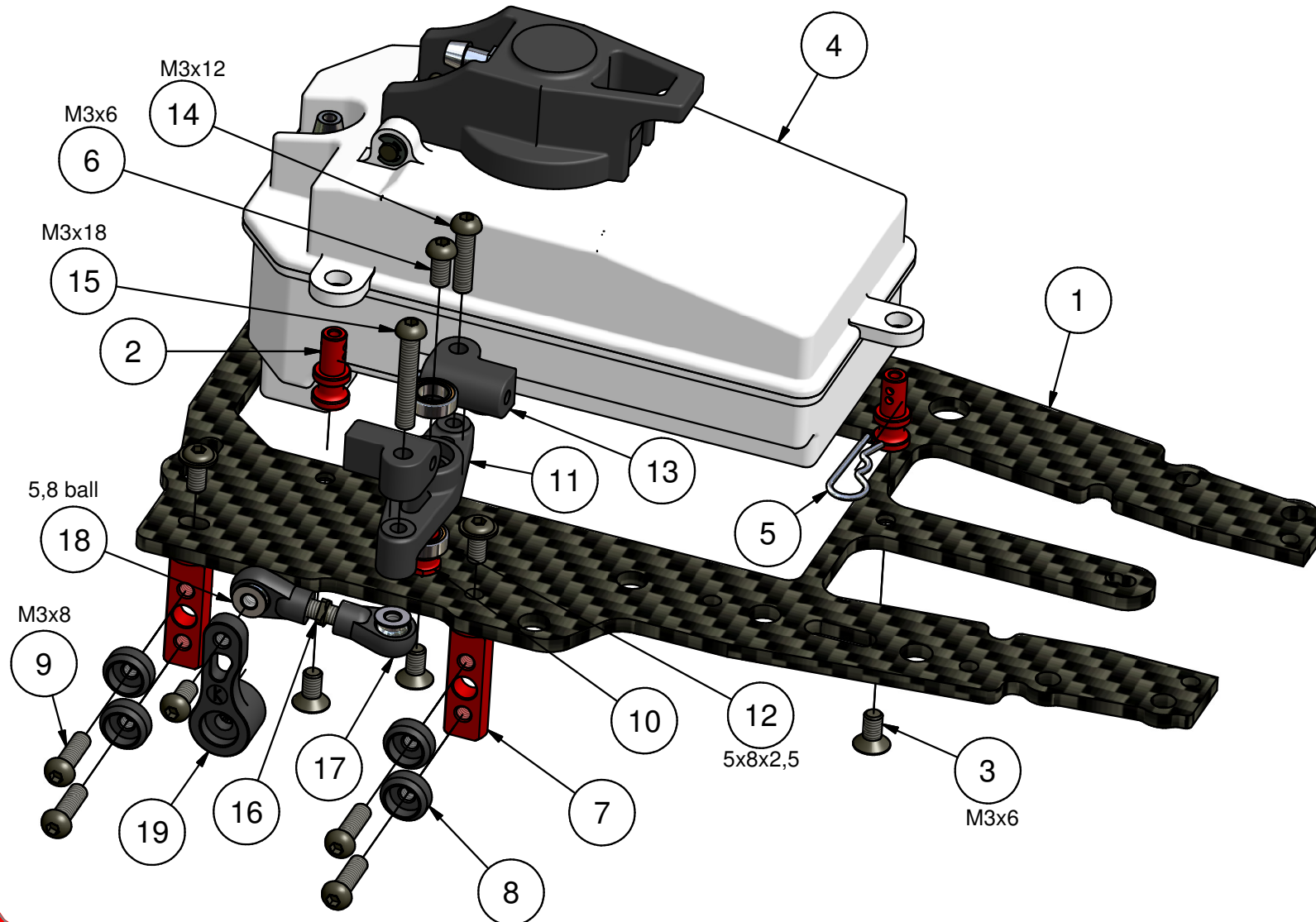
Made in Italy



# Step 1.1

Capricorn RC

# - C804 R Conversion -



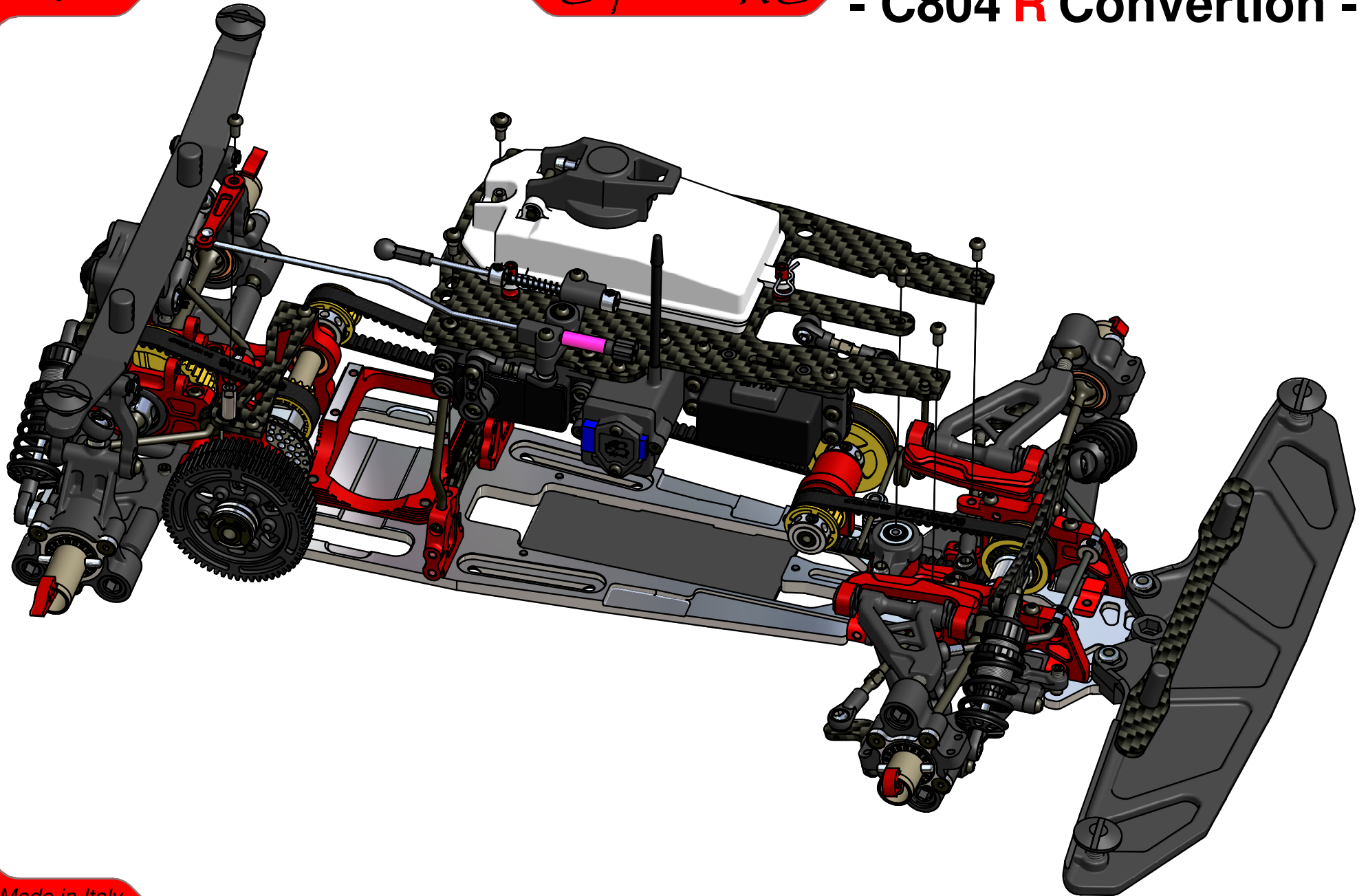
Parts List		
Rif	n°	Code
1	1	Cap 2625
2	3	Cap 2627
3	4	Cap17029
4	1	Cap 2624
5	3	Cap27002
6	4	Cap17030
7	2	Cap 2628
8	4	Cap18086
9	4	Cap17032
10	1	Cap 2626
11	1	Cap 2630
12	2	Cap16019
13	2	Cap 2631
14	1	Cap17026
15	1	Cap90607
16	1	Cap40463
17	2	Cap14042KS
18	2	Cap18169
19	1	Cap 601

Made in Italy



Step 1.2

Capricorn RC - C804 R Conversion -



Made in Italy

