



LabC04 Instruction Manual rel. 1.2 (01/2023)

- Symbols -

Capricorn RC

L/R

Symmetrical
Mounting

2x

Assemble as many
times as specified

1 2
3 4

Assemble in the
specified order

Note:
TEXT....

Be Careful

WARNING

This radio control model is not toy.

First time builders should seek the advice of experienced modellers before beginning assembly and/or if they do not fully understand any part of the construction. We highly advise to read the instruction manual before assembly, and to always keep it at hand for reference. Take care before operating this model; you are responsible for its assembly and safe operation. The extreme performance of this model could be underestimated by inexperienced drivers and could damage objects and/or people. Assembly this kit only in places out of children's reach!

CAPRICORN RC is not responsible for any damage or harm caused by improper use or assembly.

CAPRICORN RC and its distribution network are not responsible for any damage caused by shipping or handling.

Eventual parts missing from the kit or flawed must be reported within two weeks of purchase to your local hobby shop or distributor. For best performance, we highly advise to only use original authentic CAPRICORN RC parts.

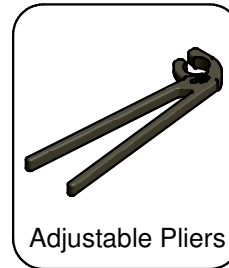
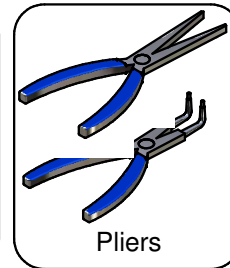
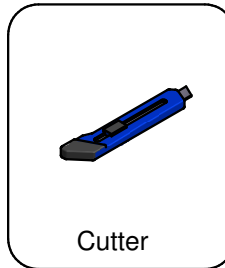
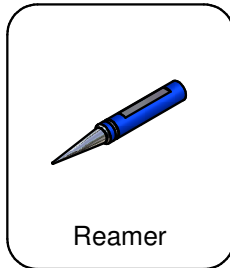
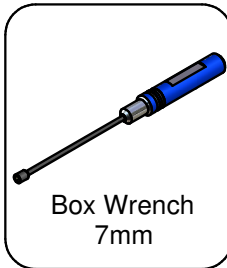
For customer support and service please contact your local hobby shop or agent from whom you purchased this item.

Contents of box may slightly differ from the pictures shown. Construction tools, body, fuel, radio system and servo, engine, muffler and battery pack are **NOT INCLUDED** unless otherwise stated.

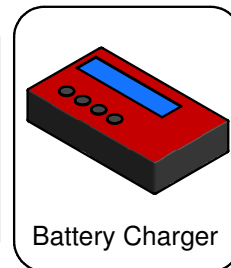
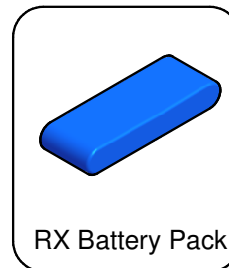
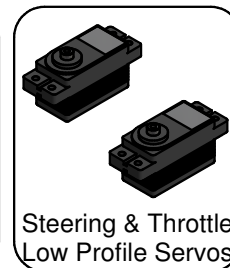
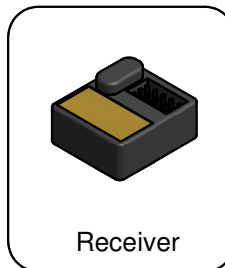
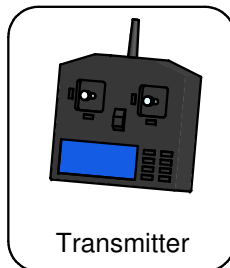
Made in Italy



Tools needed for assembly (NOT INCLUDED)



Parts for model completion and Start (NOT INCLUDED)



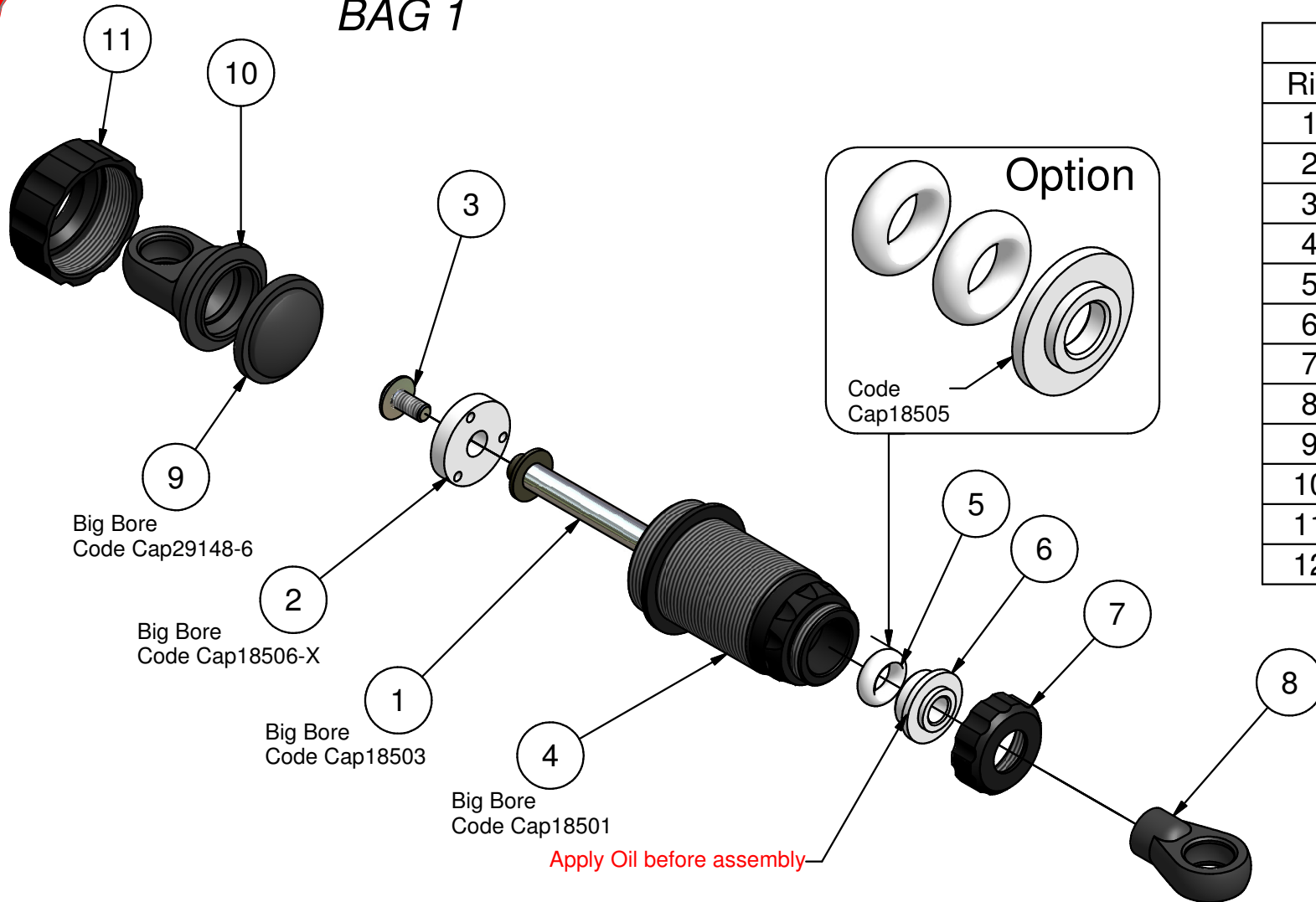
Also required: Starting Box - Nitro fuel - Fuel bottle - Glowler - PLYCARBONAT body

Step 1.0

- Shock Damper - BAG 1

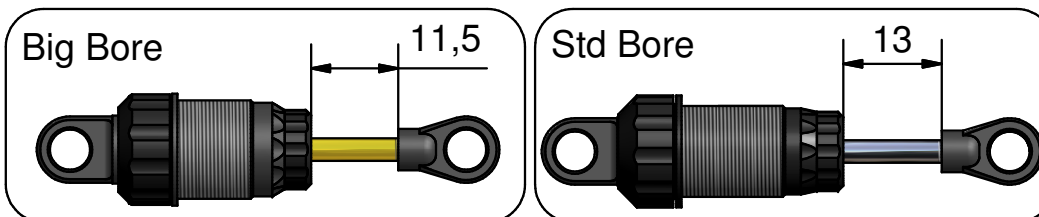
Capricorn RC

4x



Parts List		
Rif.	n°	Code
1	1	Cap18510-L
2	1	Cap18509-X
3	1	Cap18507
4	1	Cap18508
5	1	Cap18512
6	1	Cap18504
7	1	Cap18502
8	1	Cap14042KS
9	1	Cap14033-6
10	1	Cap14036
11	1	Cap16085-B
12	1	Cap14030

Silicon Oil #600



Made in Italy



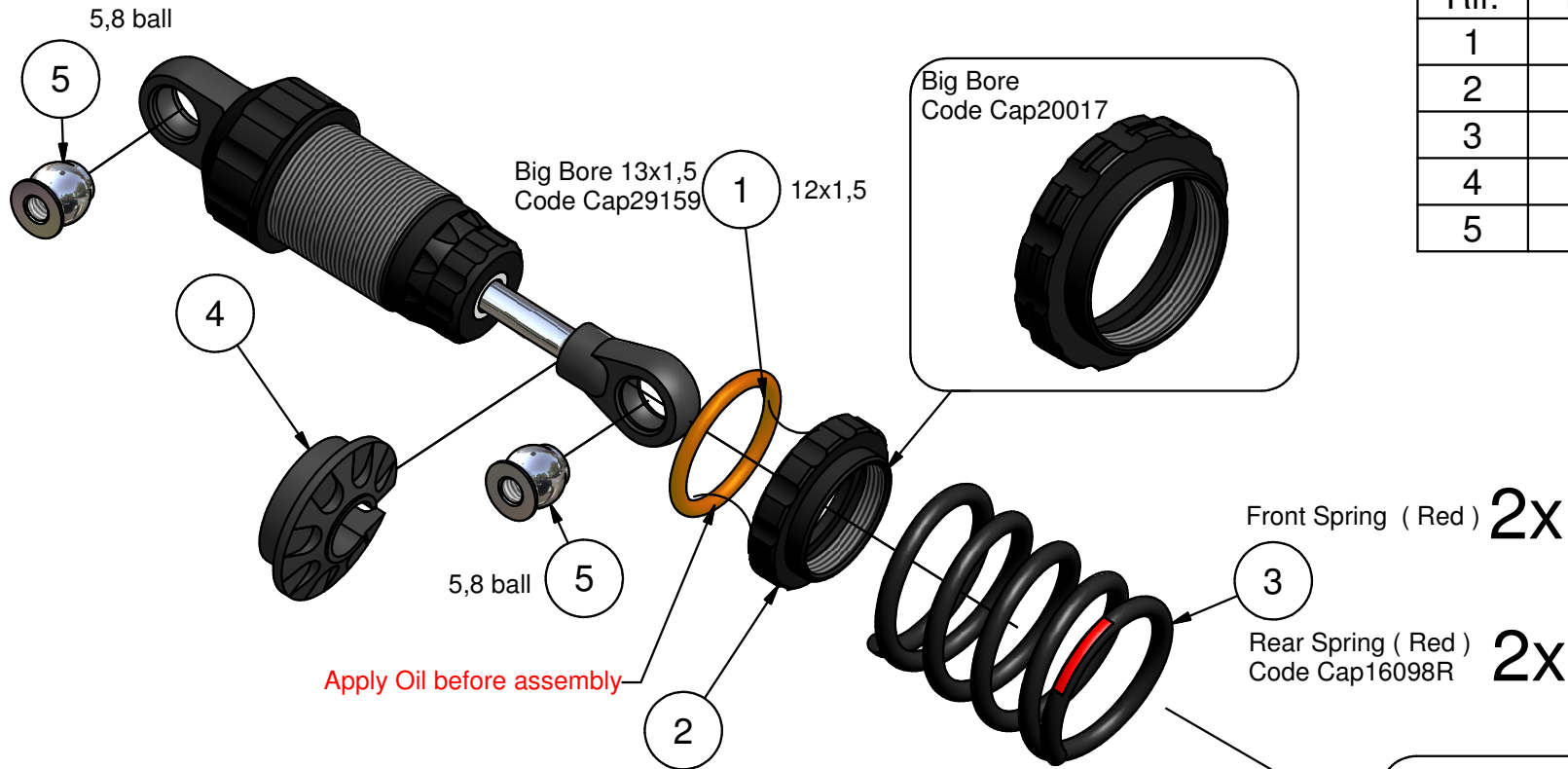
Step 1.1

- Shock Damper - BAG 1

Capricorn RC

4x

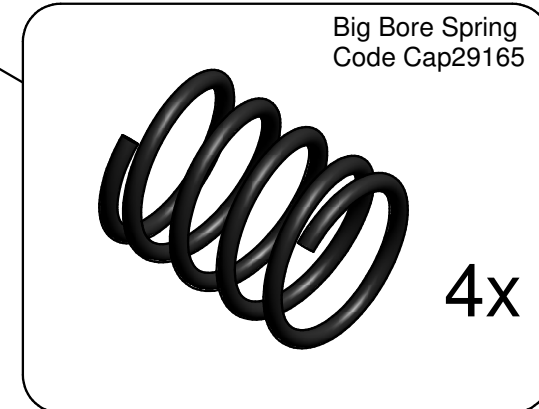
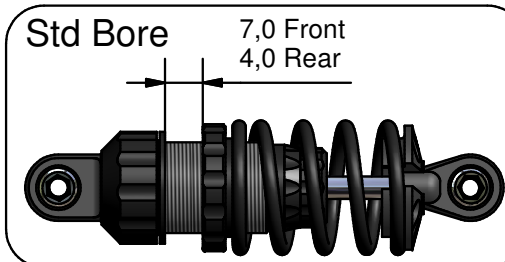
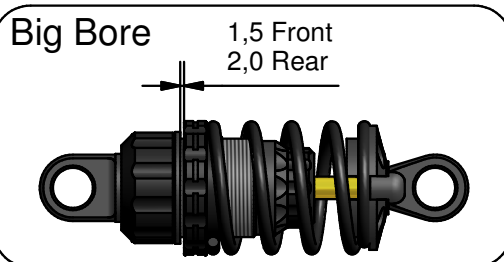
Parts List		
Rif.	n°	Code
1	1	Cap171215
2	1	Cap16027
3	1	Cap16098F
4	1	Cap14030
5	2	Cap18169



Front Spring (Red) 2x

Rear Spring (Red) 2x
Code Cap16098R

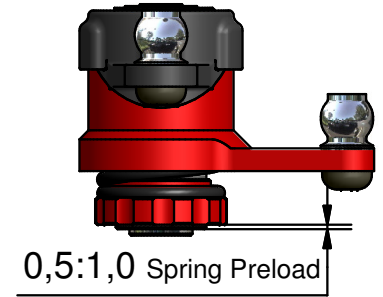
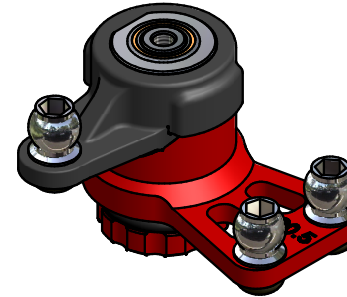
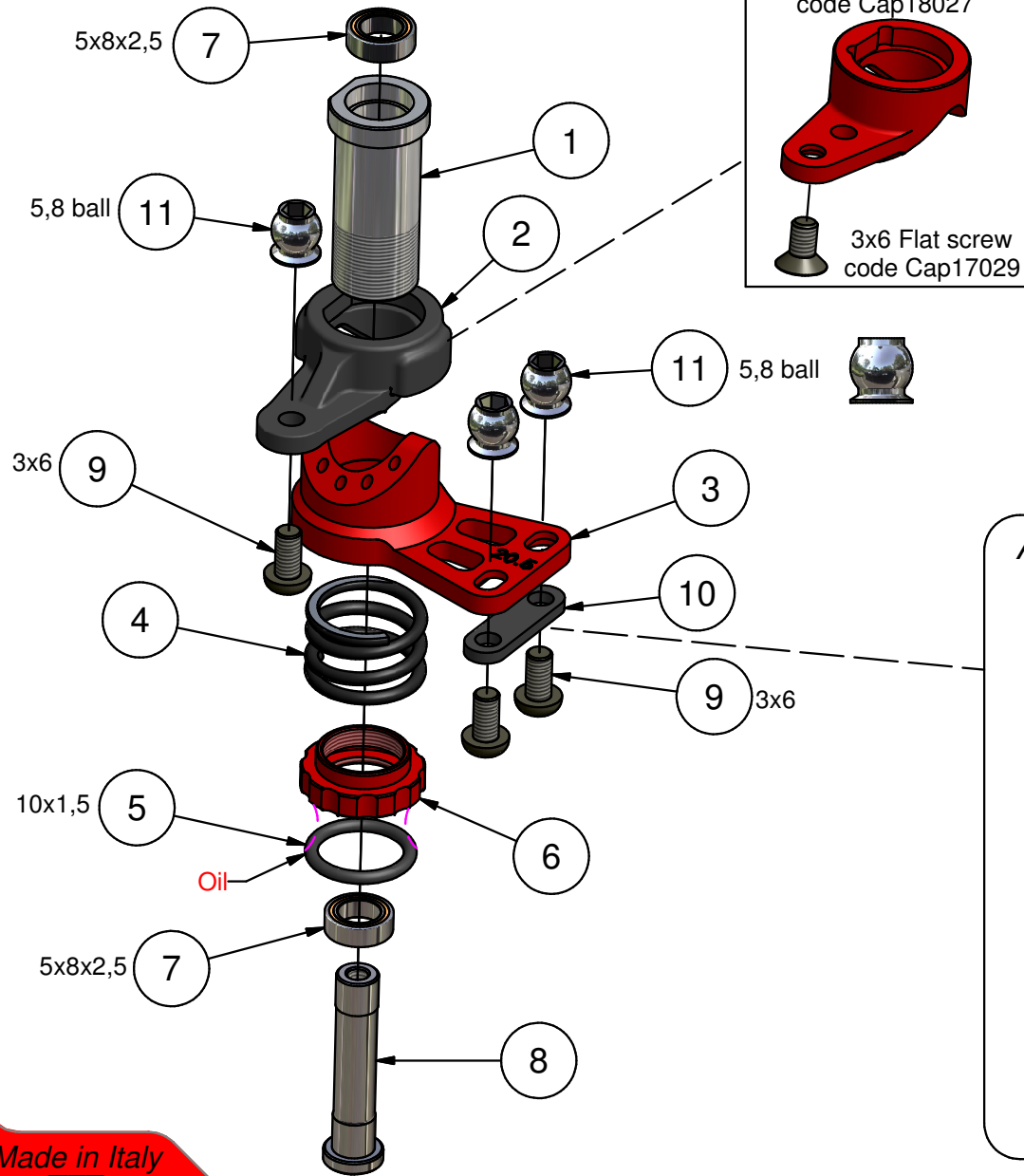
Apply Oil before assembly



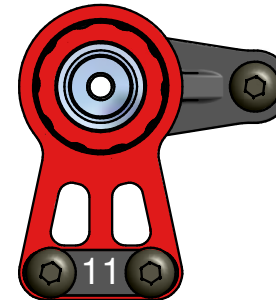
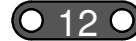
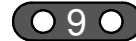
Step 2.0

- Servo Saver - BAG 2

Capricorn RC



Ackermann Inserts



Initial Setting

Parts List

Rif.	n°	Code
1	1	Cap16014
2	1	Cap18093
3	1	Cap18205
4	1	Cap16033
5	1	Cap171015
6	1	Cap16028
7	2	Cap16019
8	1	Cap16055
9	3	Cap17030
10	1	Cap15005P
11	3	Cap18169

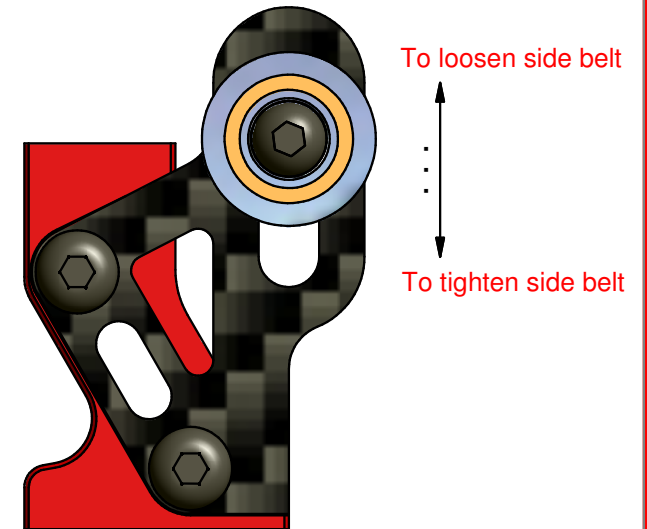
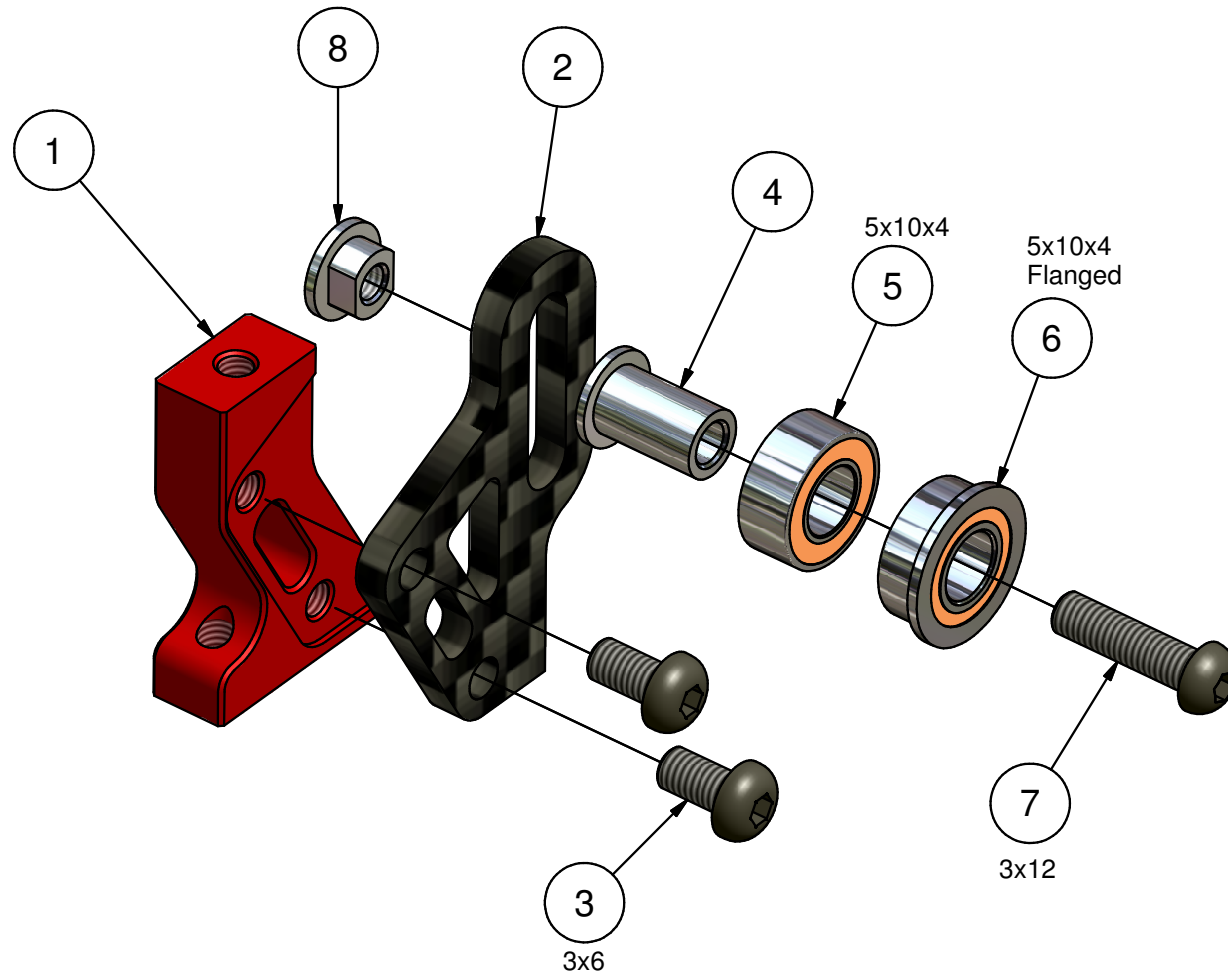
Made in Italy



Step 3.0

- Belt Tensioner Set - BAG 3

Capricorn RC



Parts List		
Rif.	n°	Code
1	1	Cap18195
2	1	Cap18196
3	2	Cap17030
4	1	Cap16012
5	1	Cap 415
6	1	Cap16018
7	1	Cap17026
8	1	Cap15010

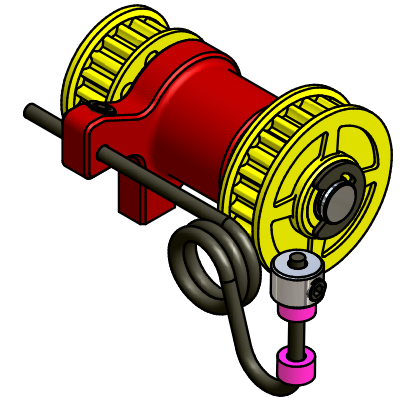
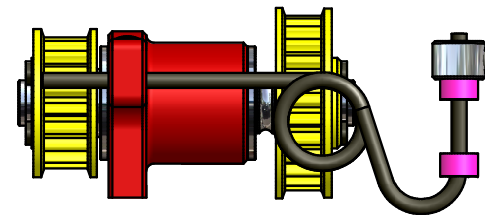
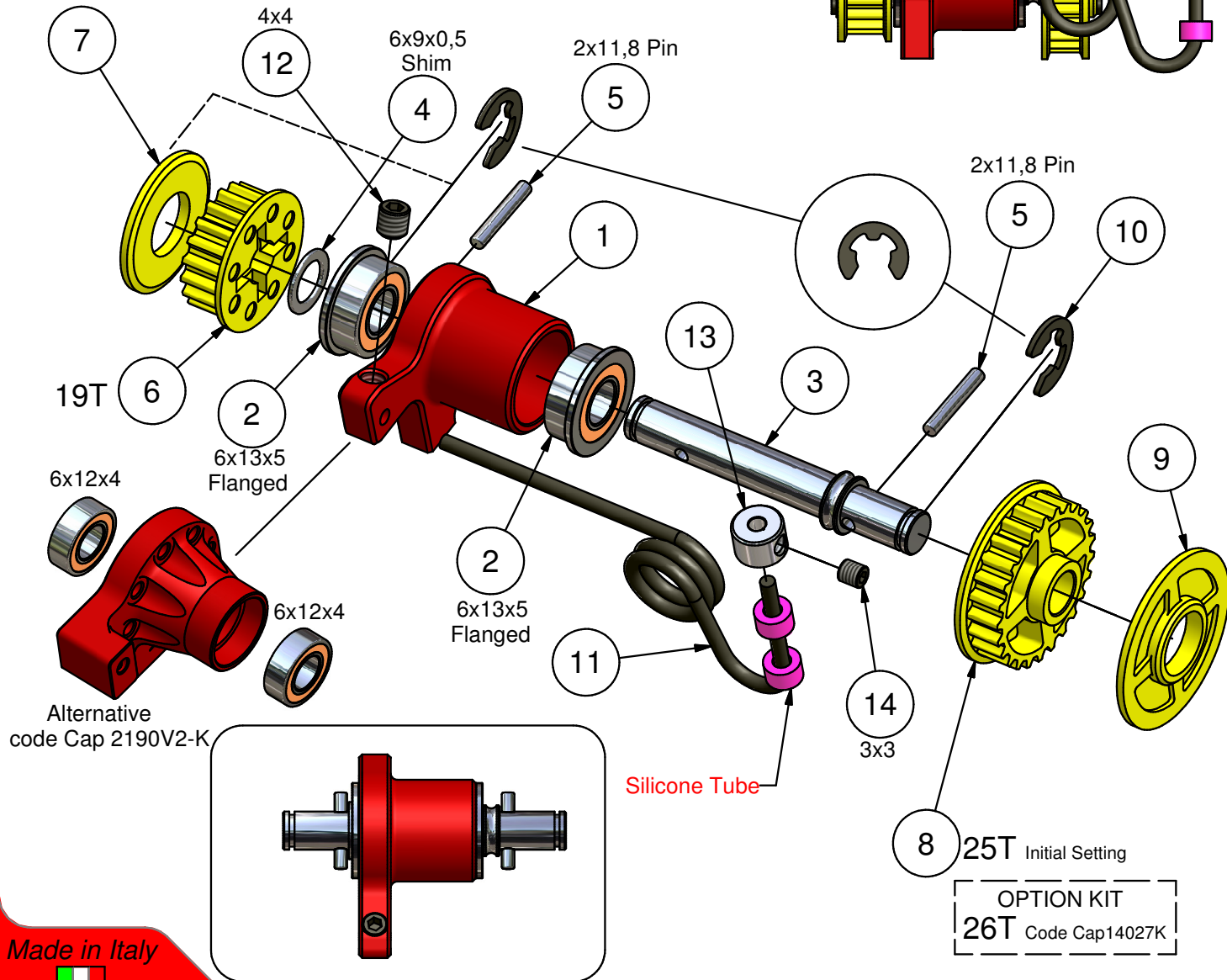
Made in Italy



Step 4.0

- Middle Shaft Holder - BAG 4

Capricorn RC



Parts List		
Rif.	n°	Code
1	1	Cap18189
2	2	Cap18206
3	1	Cap18071
4	1	Cap18080
5	2	Cap17016
6	1	Cap14024K
7	1	Cap14024K
8	1	Cap14026K
9	1	Cap14026K
10	2	Cap17002
11	1	Cap 506XL
12	1	Cap17010
13	1	Cap16015
14	1	Cap17006

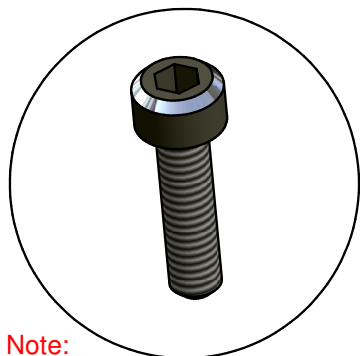
Made in Italy



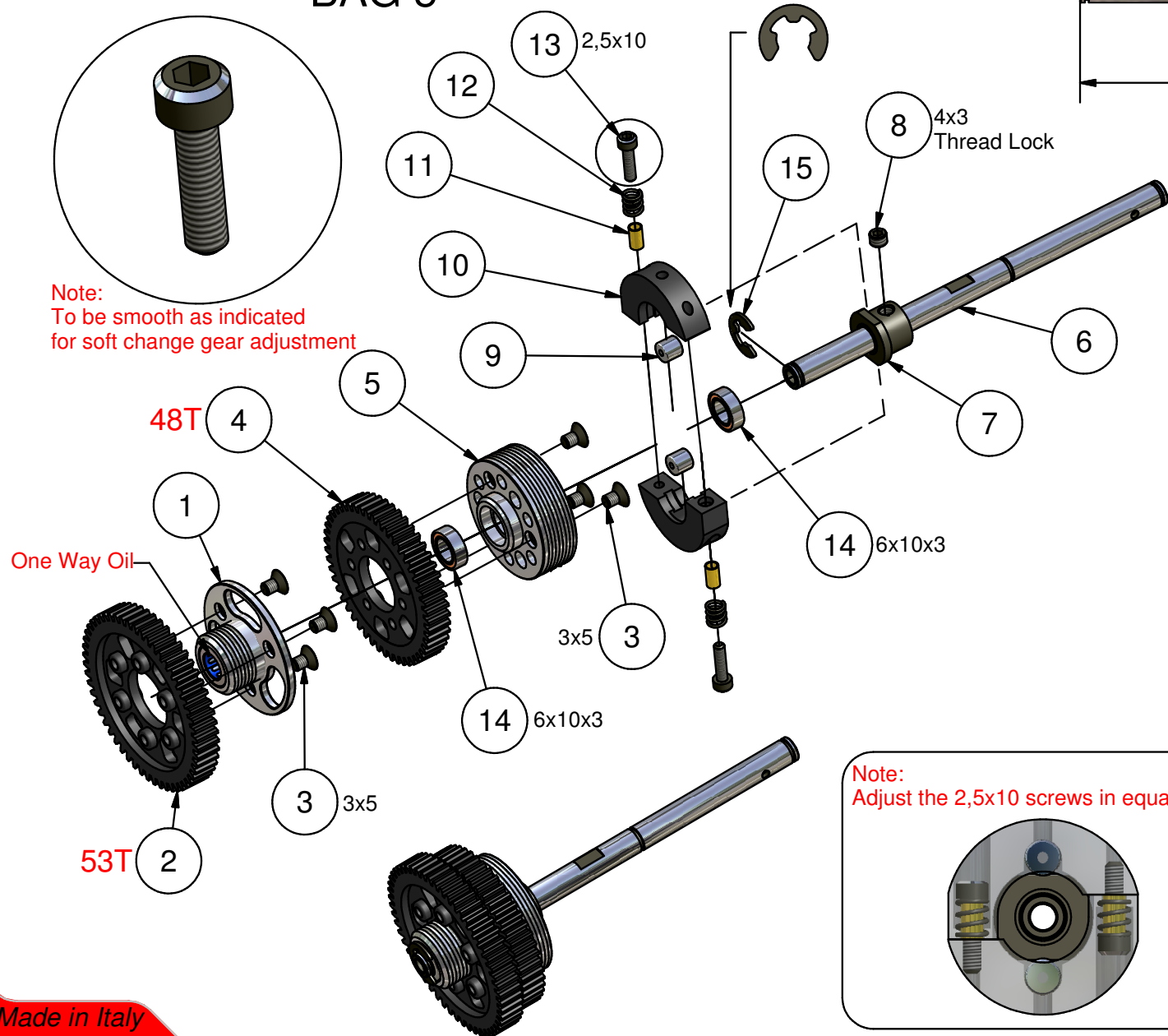
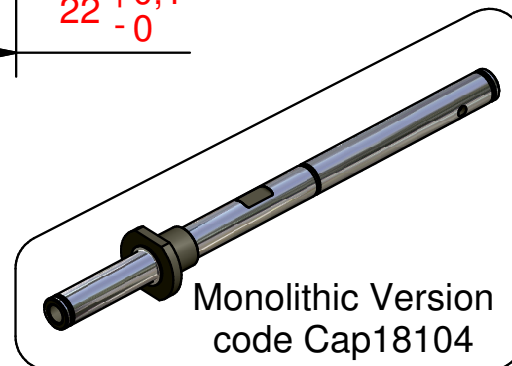
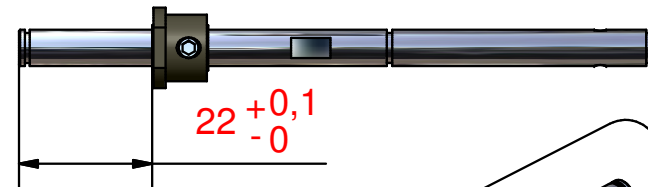
Step 5.0

- 2 Speed gear - BAG 5

Capricorn RC



Note:
To be smooth as indicated
for soft change gear adjustment



Parts List		
Rif.	n°	Code
1	1	Cap18118
2	1	Cap14017
3	6	Cap17038
4	1	Cap14020
5	1	Cap18110
6	1	Cap16001
7	1	Cap16074
8	1	Cap17009
9	2	Cap16062
10	2	Cap14032
11	2	Cap16011
12	2	Cap16031
13	2	Cap17021
14	2	Cap16079
15	1	Cap17002

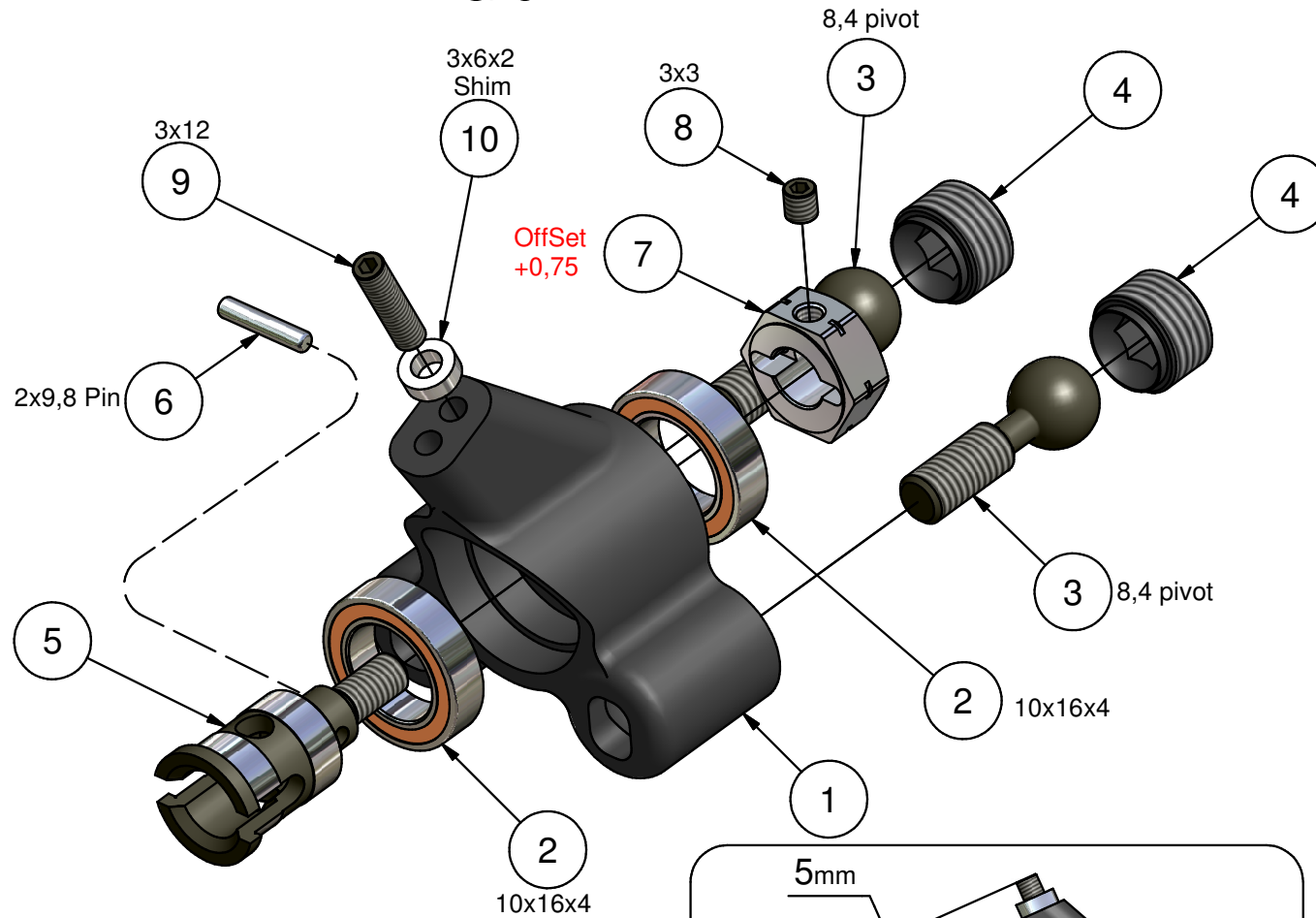
Made in Italy



Step 6.0

- Rear Hub - BAG 6

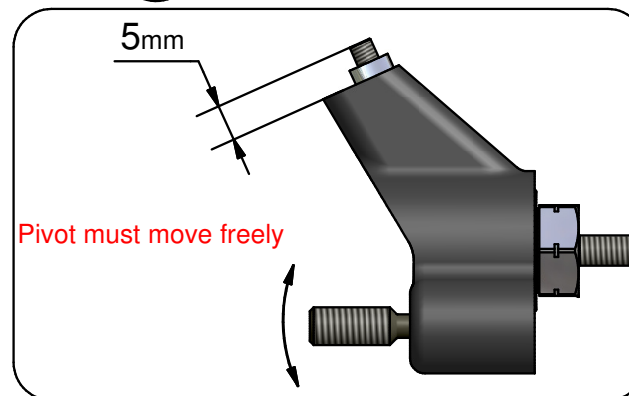
Capricorn RC



2x L/R

Parts List

Rif.	n°	Code
1	1	Cap14004B
2	2	Cap16017
3	2	Cap16004S
4	2	Cap16026S
5	1	Cap16097
6	1	Cap17015
7	1	Cap 255+
8	1	Cap17006
9	1	Cap17005
10	1	Cap22015



Made in Italy

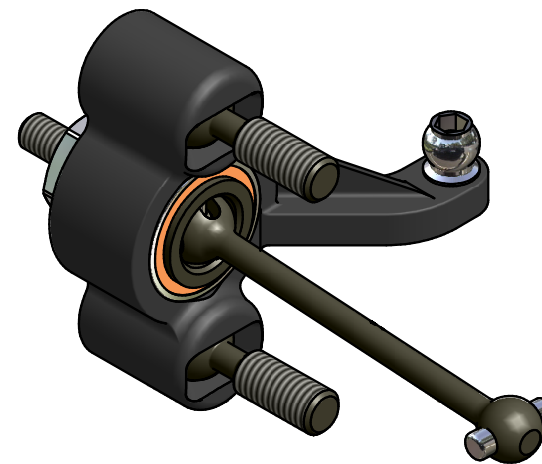
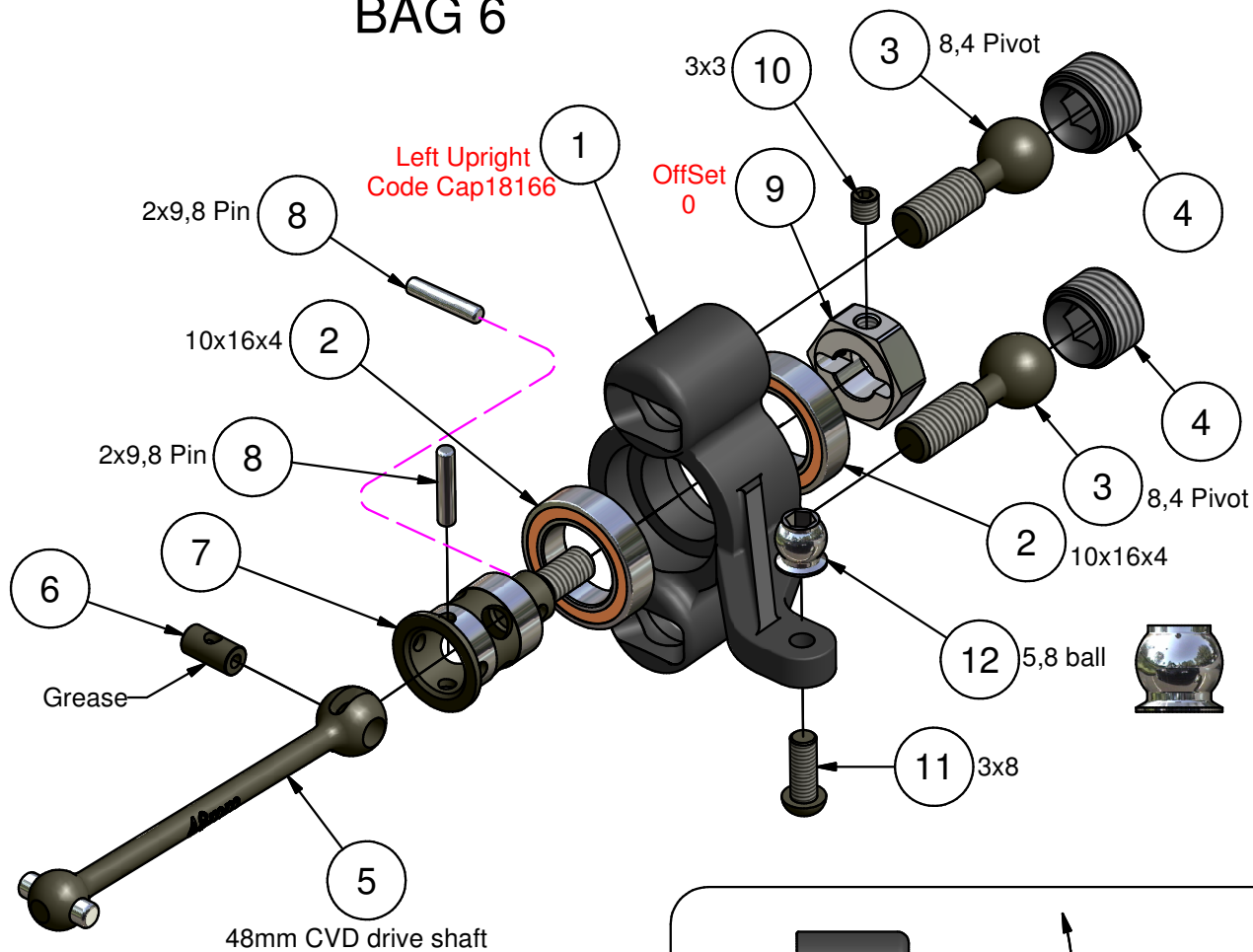


Step 6.1

- Front Hub - BAG 6

Capricorn RC

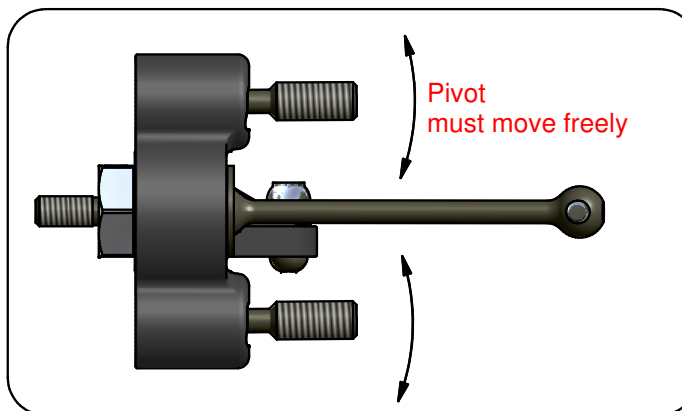
Right Steering Block



2x L/R

Parts List

Rif.	n°	Code
1	1	Cap18165
2	2	Cap16017
3	2	Cap16004S
4	2	Cap16026S
5	1	Cap18200
6	1	Cap16092
7	1	Cap16096
8	2	Cap17015
9	1	Cap 255
10	1	Cap17006
11	1	Cap17032
12	1	Cap18169



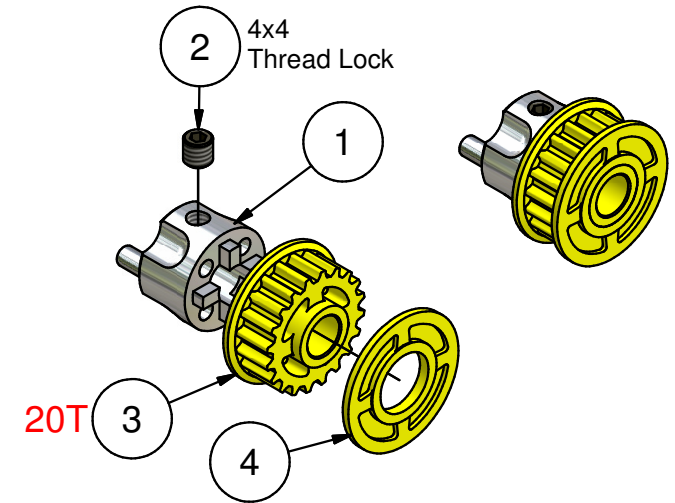
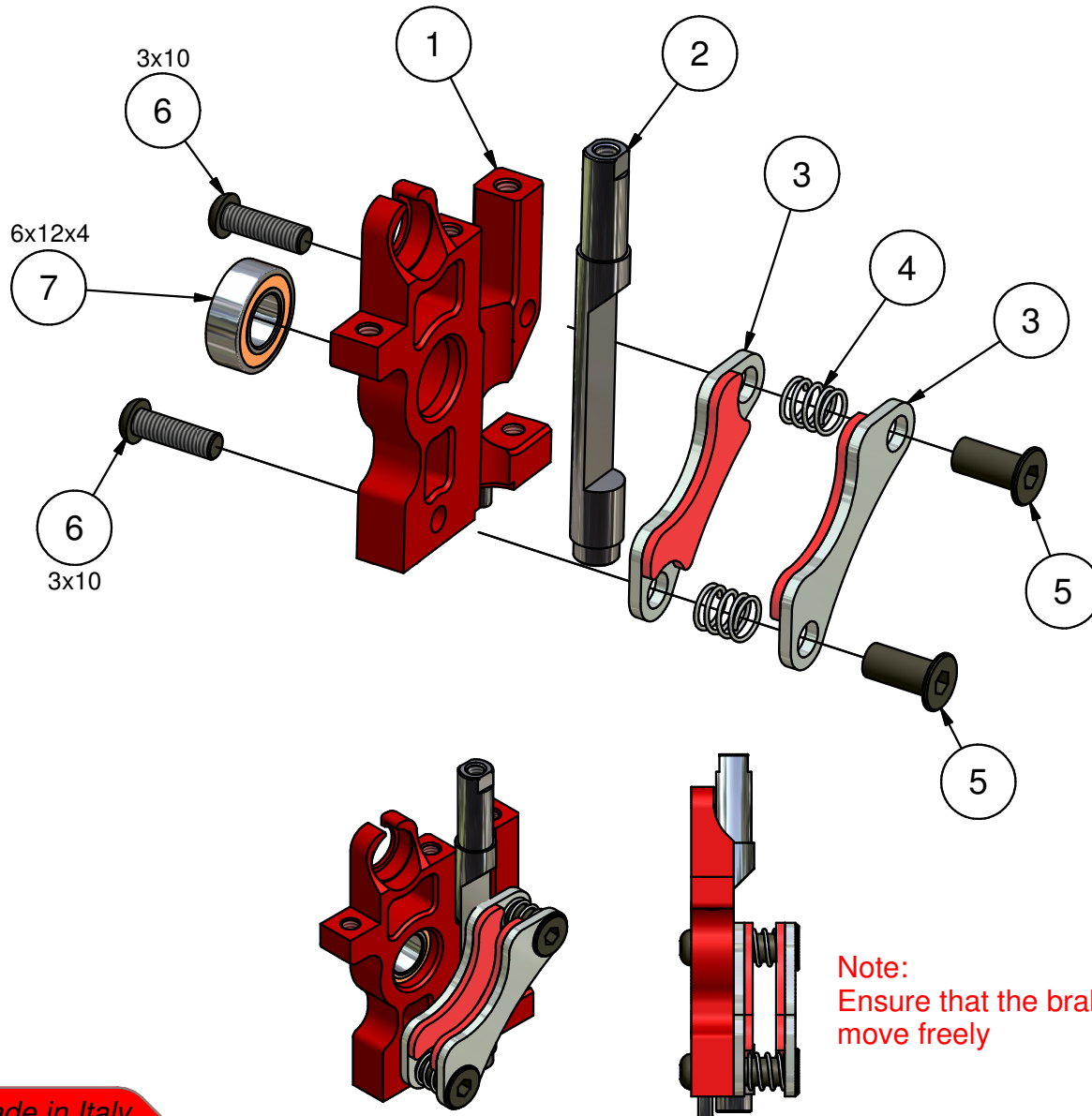
Made in Italy



Step 7.0

- Brake Set - BAG 7

Capricorn RC



Parts List		
Rif.	n°	Code
1	1	Cap16077B
2	1	Cap17010
3	1	Cap14025K
4	1	Cap14025K

Parts List		
Rif.	n°	Code
1	1	Cap18187
2	1	Cap16013-V2
3	2	Cap18066-TF
4	2	Cap 2070
5	2	Cap18069
6	2	Cap17023
7	1	Cap16021

Note:
Ensure that the brake system
move freely

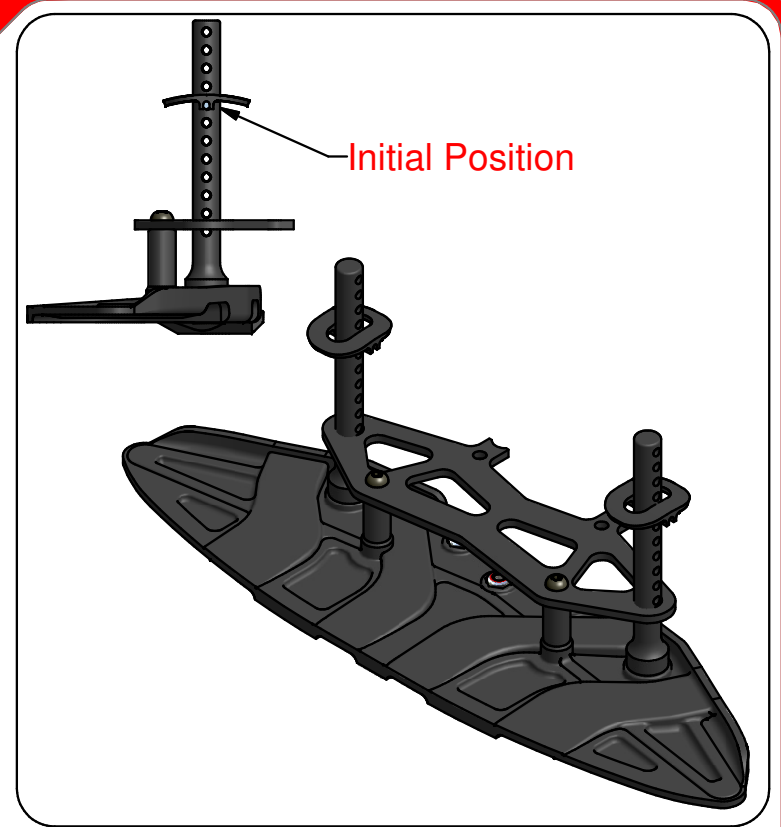
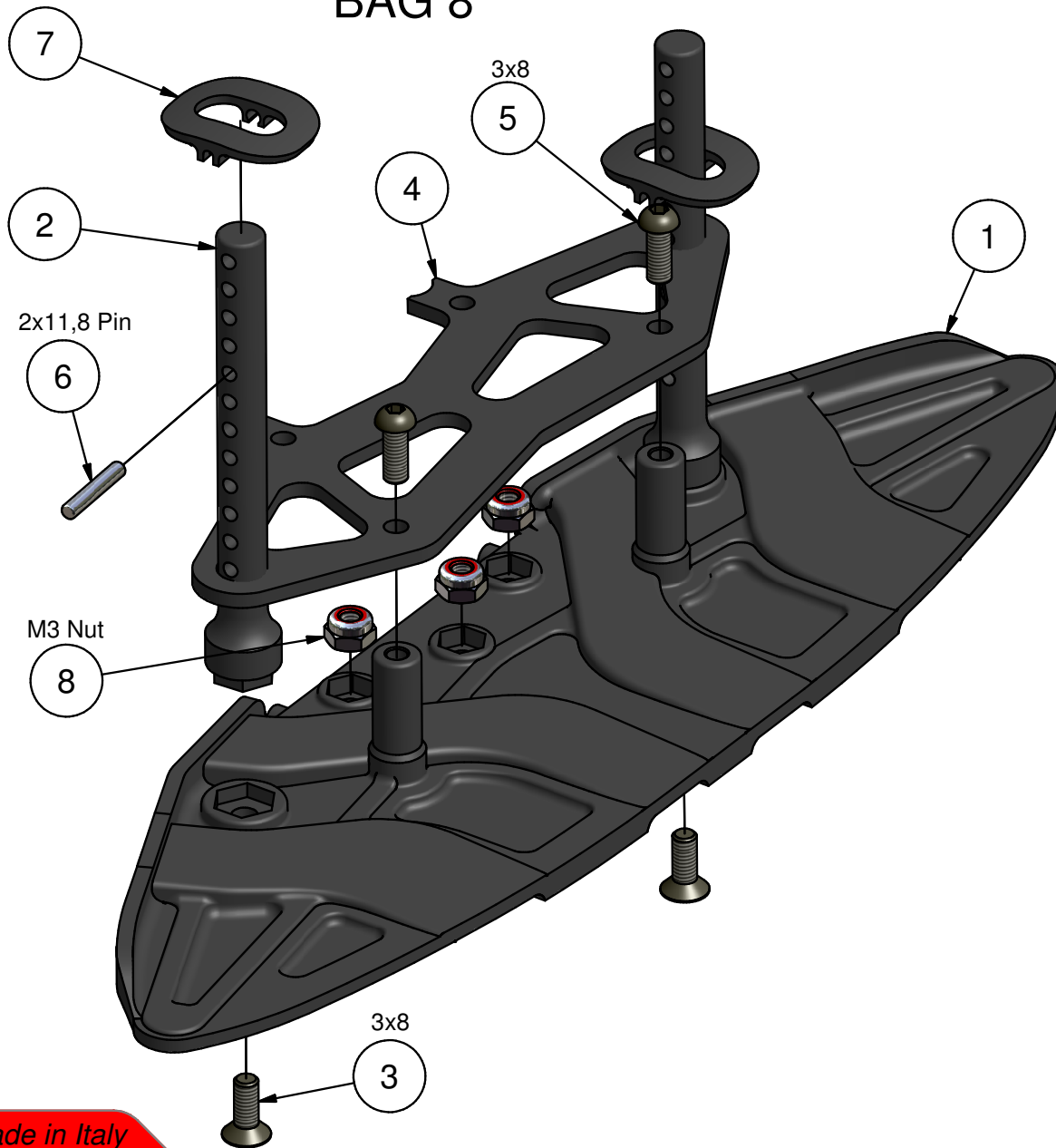
Made in Italy



Step 8.0 - Front Bodymounts -

Capricorn RC

BAG 8



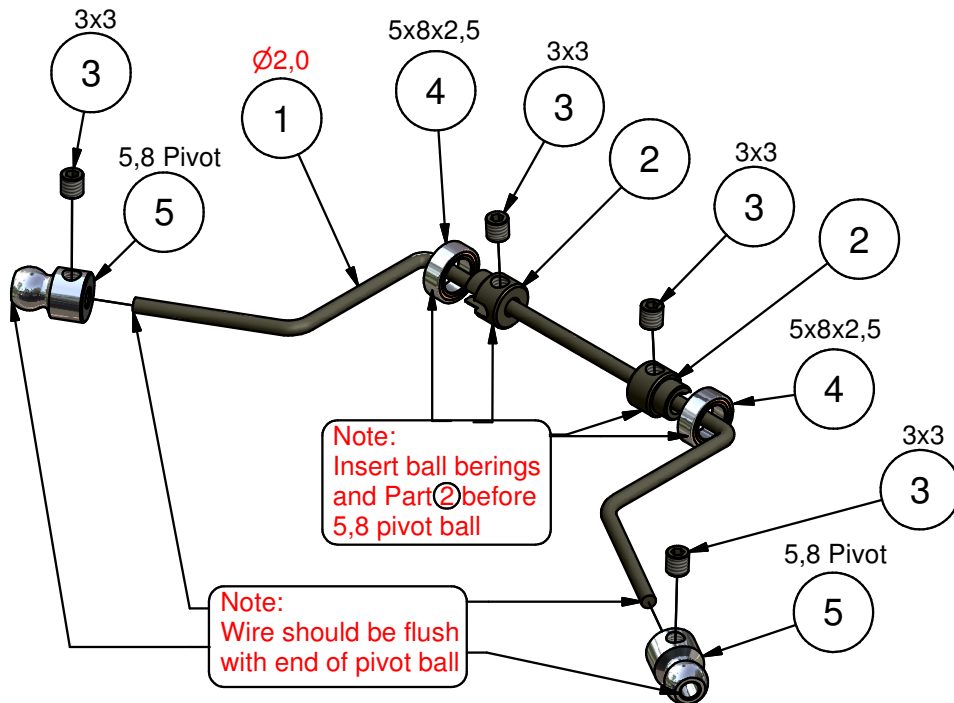
Parts List		
Rif.	n°	Code
1	1	Cap18083
2	2	Cap15011
3	2	Cap17031
4	1	Cap15007P
5	2	Cap17032
6	2	Cap17016
7	2	Cap15013
8	3	Cap17040

Made in Italy

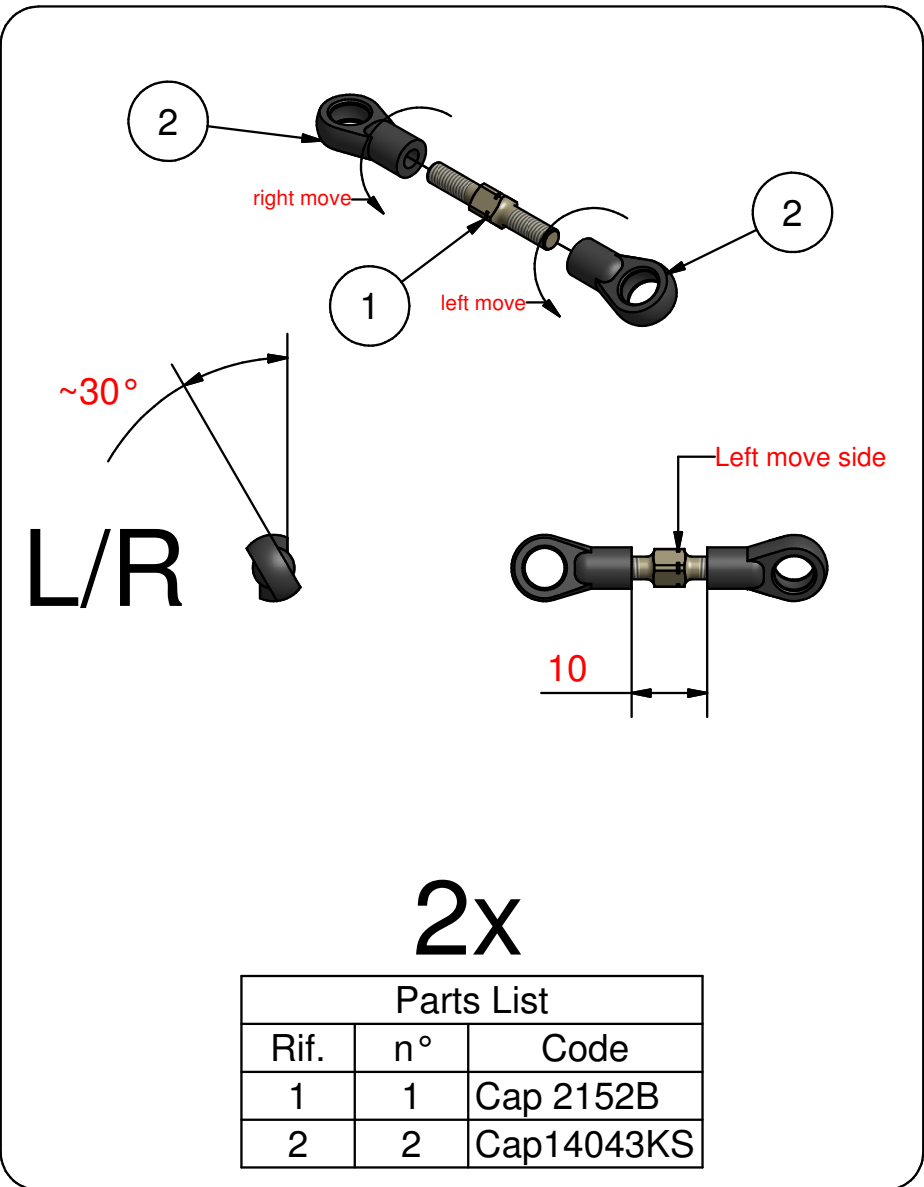


Step 9.0 - Rear Anti-Roll Bar - BAG 9

Capricorn RC



Parts List		
Rif.	n°	Code
1	1	Cap16008-2.0
2	2	Cap18070-2.0
3	4	Cap17006
4	2	Cap16019
5	2	Cap16087



2x

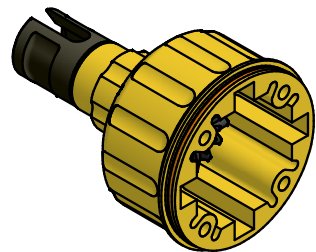
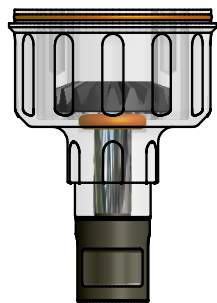
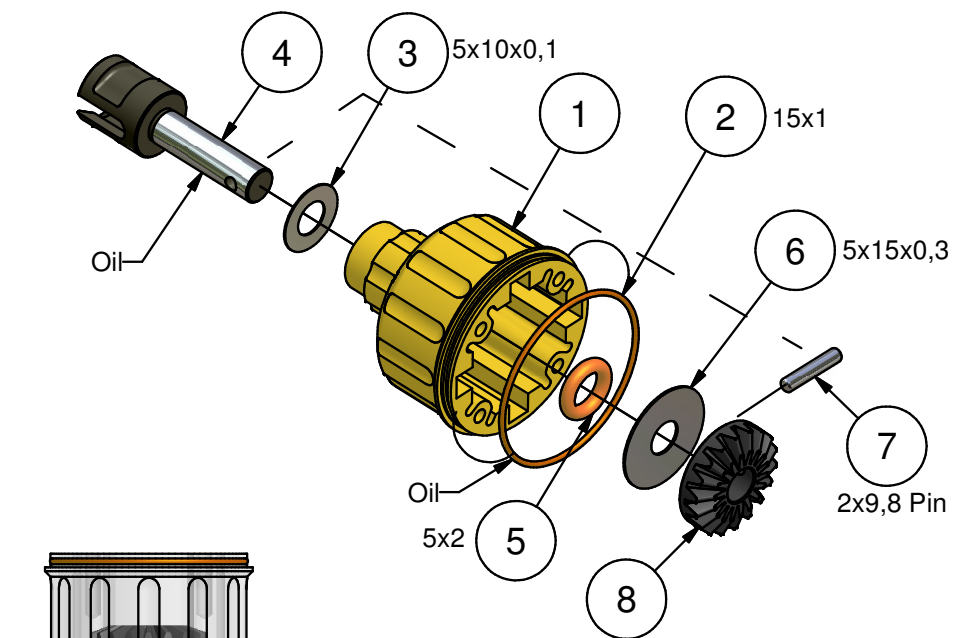
Parts List		
Rif.	n°	Code
1	1	Cap 2152B
2	2	Cap14043KS

Made in Italy

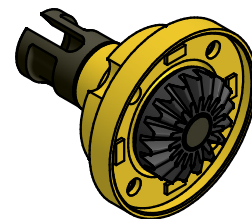
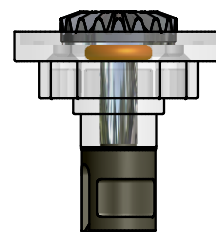
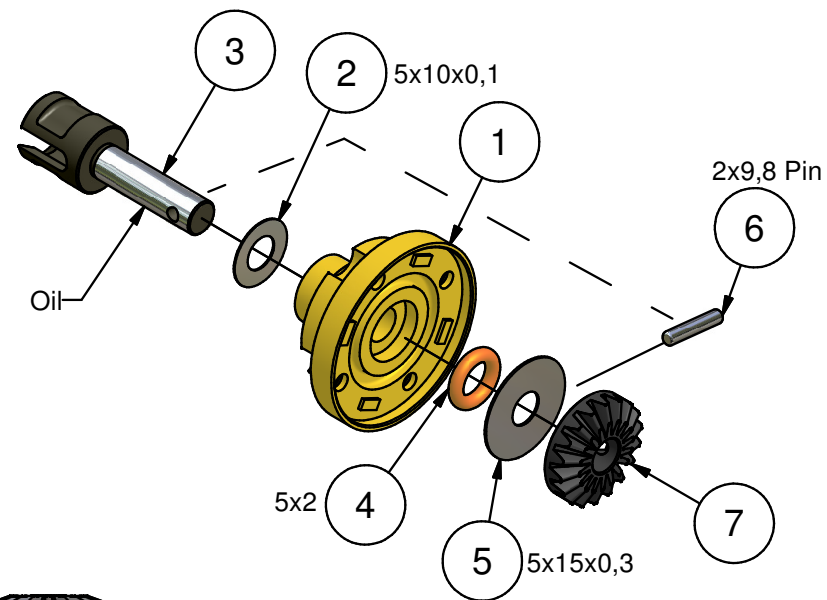


Step 10.0 - Front gear differential - BAG 10

Capricorn RC



Parts List		
Rif.	n°	Code
1	1	Cap14014G
2	1	Cap172407K
3	1	Cap17042
4	1	Cap16075
5	1	Cap170520
6	1	Cap17042
7	1	Cap17015
8	1	Cap14045



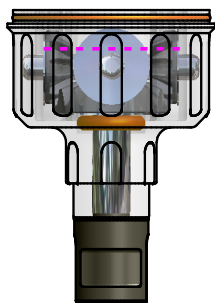
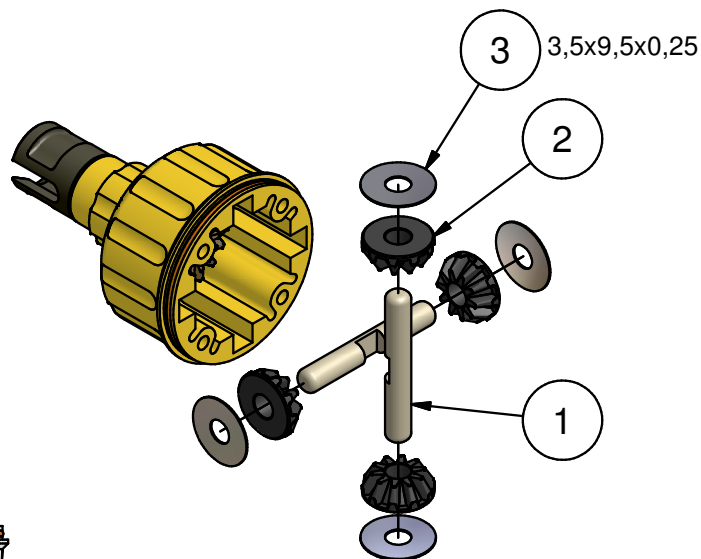
Parts List		
Rif.	n°	Code
1	1	Cap14014G
2	1	Cap17042
3	1	Cap16075
4	1	Cap170520
5	1	Cap17042
6	1	Cap17015
7	1	Cap14045

Made in Italy

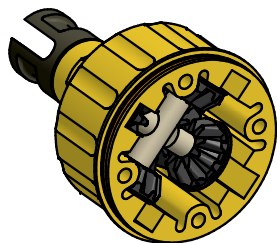


Step 10.1 - Front gear differential - BAG 10

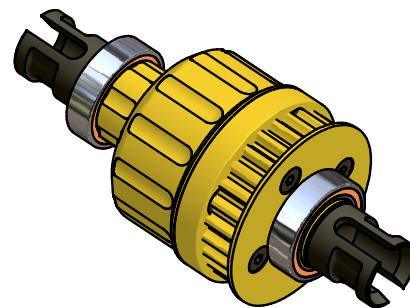
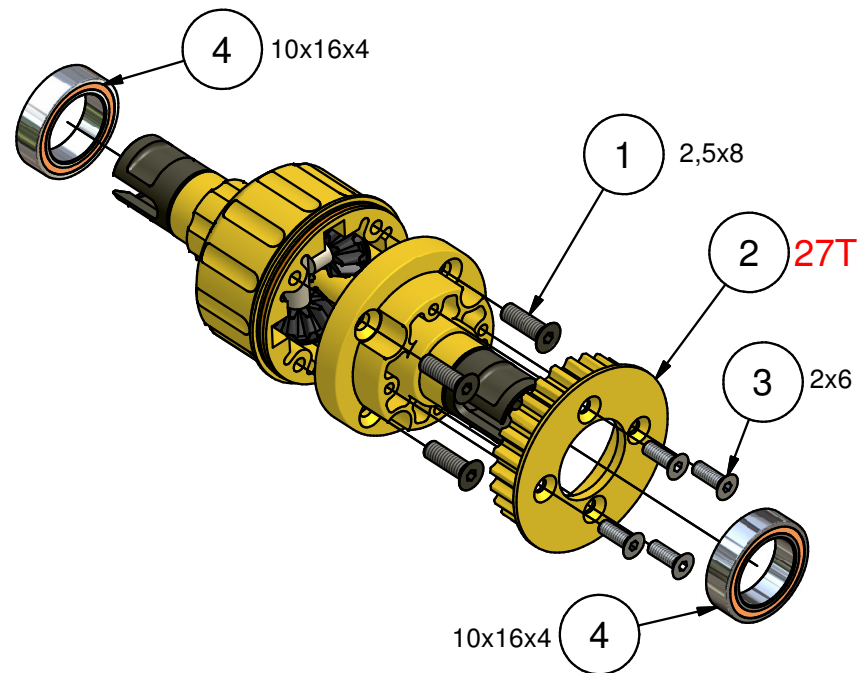
Capricorn RC



Note:
Fill differential up to the top of the pins with silicon oil.
Initial Setting 300.000



Parts List		
Rif.	n°	Code
1	2	Cap16056H
2	4	Cap14045
3	4	Cap17042



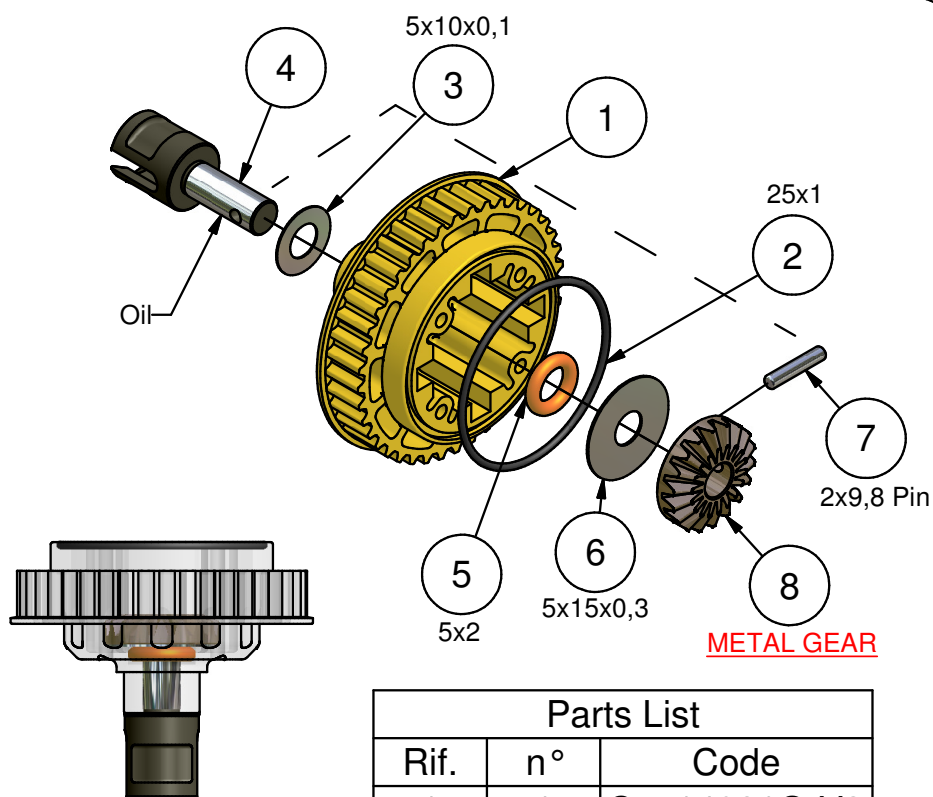
Parts List		
Rif.	n°	Code
1	4	Cap17022
2	1	Cap14028K
3	4	Cap17020
4	2	Cap16017

Made in Italy



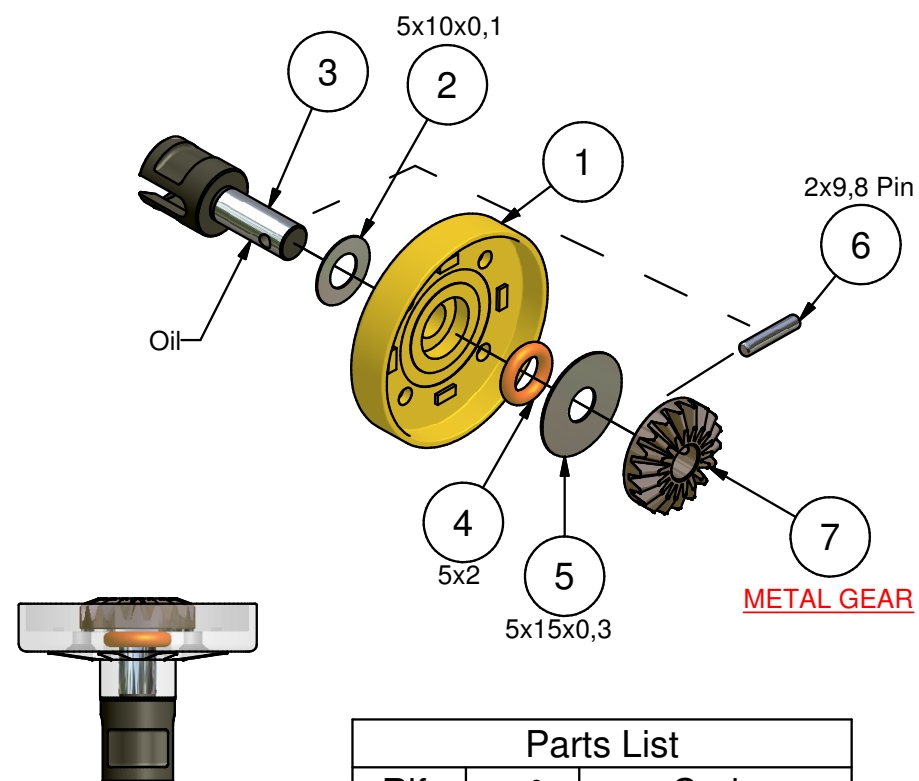
Step 10.2 - Rear gear differential - BAG 10

Capricorn RC



METAL GEAR

Parts List		
Rif.	n°	Code
1	1	Cap14021G-V3
2	1	Cap24005
3	1	Cap17042
4	1	Cap16076
5	1	Cap170520
6	1	Cap17042
7	1	Cap17015
8	1	Cap18155



METAL GEAR

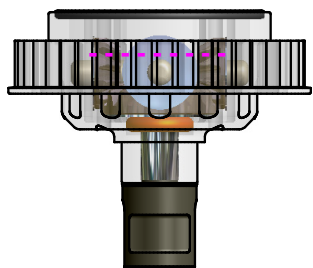
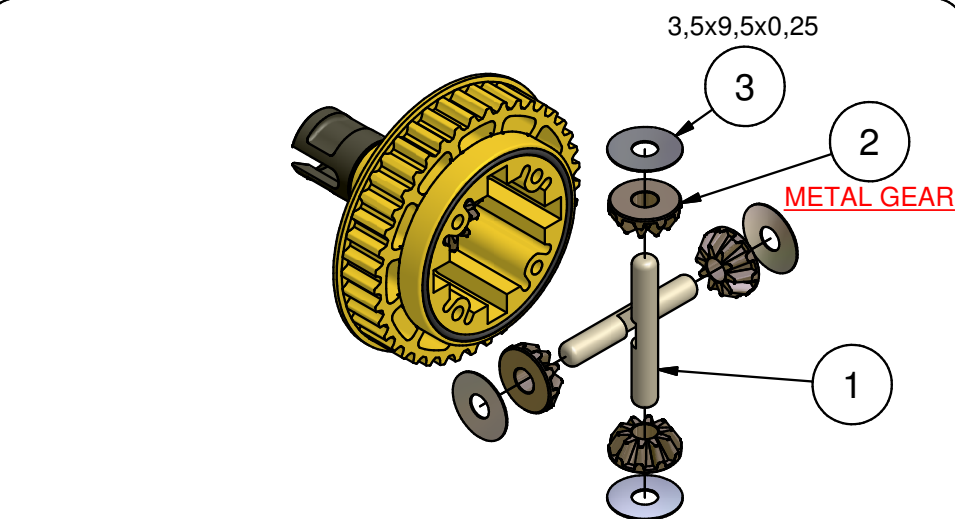
Parts List		
Rif.	n°	Code
1	1	Cap14021G-V3
2	1	Cap17042
3	1	Cap16076
4	1	Cap170520
5	1	Cap17042
6	1	Cap17015
7	1	Cap18155

Made in Italy

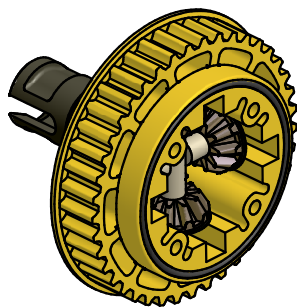


Step 10.3 - Rear gear differential - BAG 10

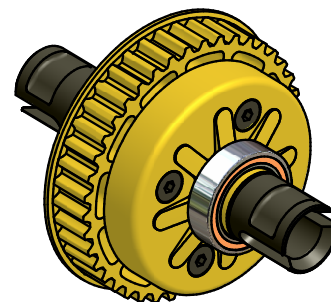
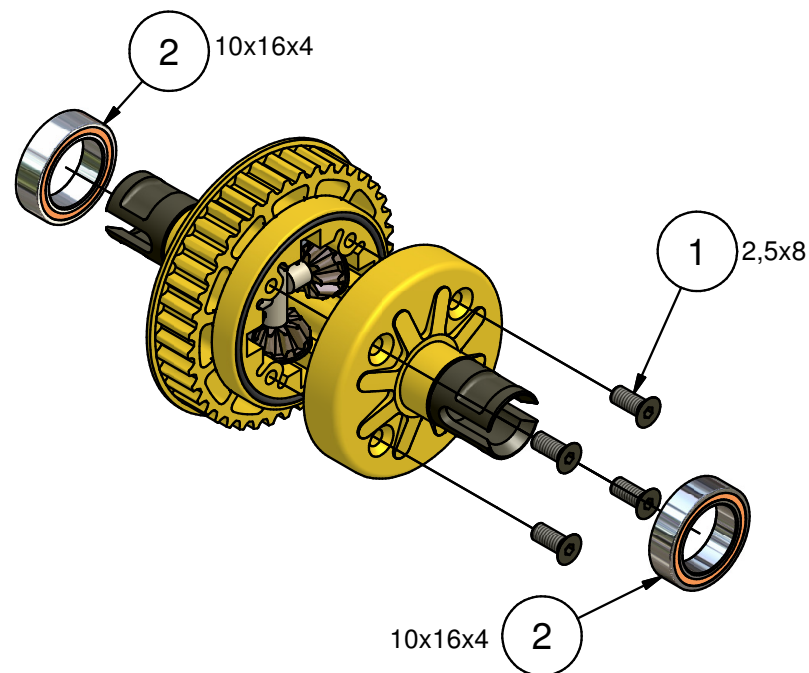
Capricorn RC



Note:
Fill differential up to the top
of the pins with silicon oil.
Initial Setting 80.000



Parts List		
Rif.	n°	Code
1	2	Cap16056H
2	4	Cap18155
3	4	Cap17042



Parts List		
Rif.	n°	Code
1	4	Cap17035
2	2	Cap16017

Made in Italy

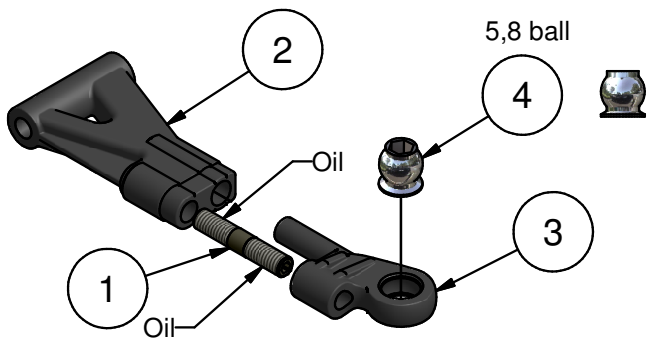


Step 11.0

- Rear Suspension - BAG 11

Capricorn RC

L/R



Remove for outdoor up roll center setting

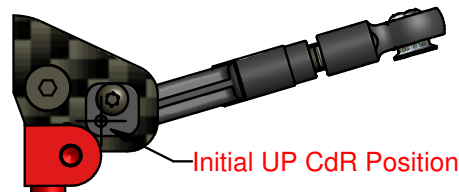
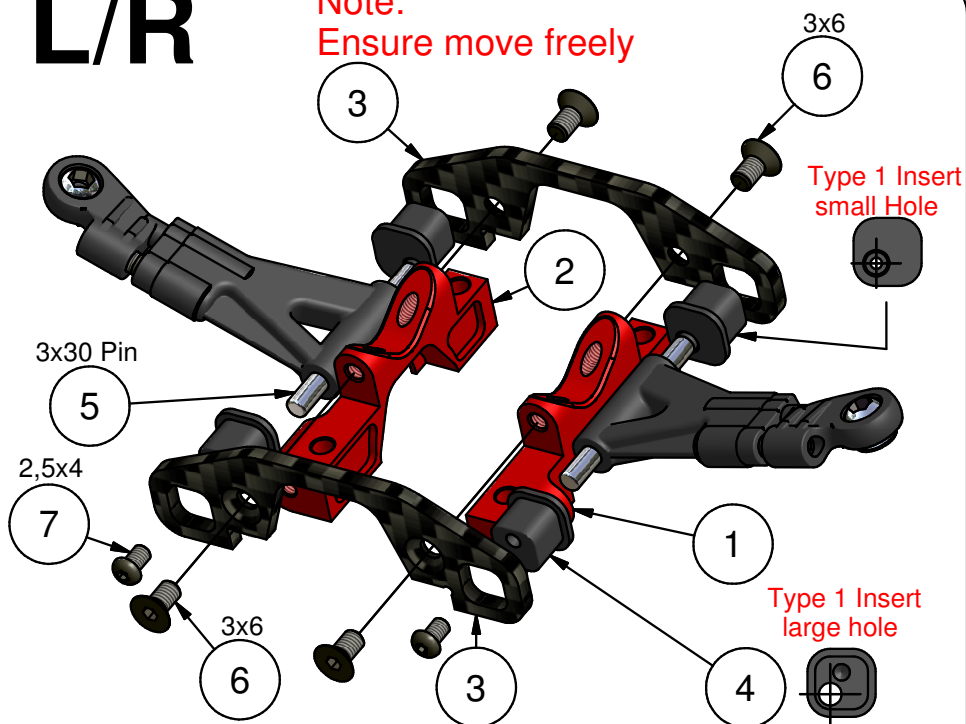
With 2mm hex wrench turn for more or less camber

2x

Parts List		
Rif.	n°	Code
1	1	Cap 2115
2	1	Cap18114
3	1	Cap18115
4	1	Cap18169

L/R

Note: Ensure move freely



Initial UP CdR Position



Parts List		
Rif.	n°	Code
1	1	Cap18176
2	1	Cap18177
3	2	Cap18179
4	4	Cap14038-Q
5	2	Cap18078
6	4	Cap17029
7	2	Cap18019

Made in Italy

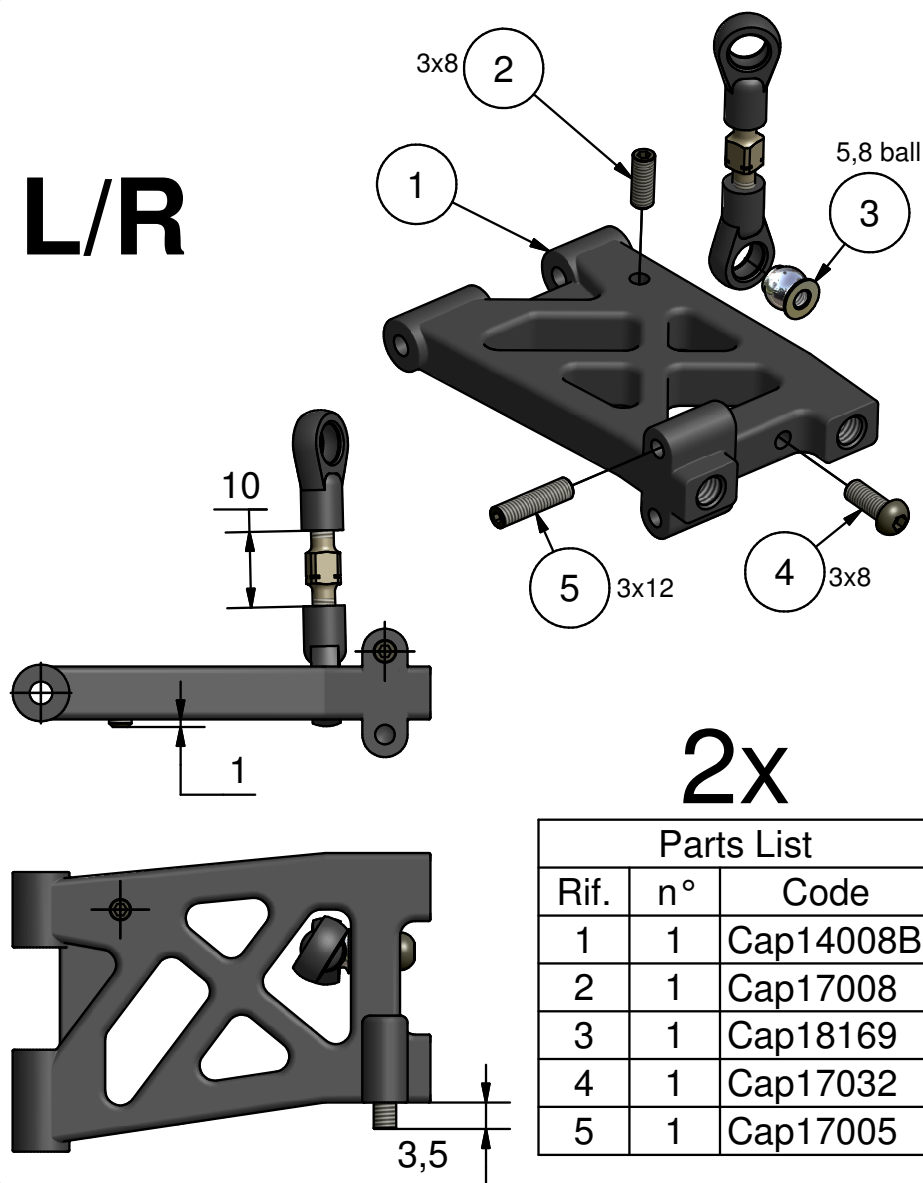


Step 11.1

- Rear Suspension - BAG 11

Capricorn RC

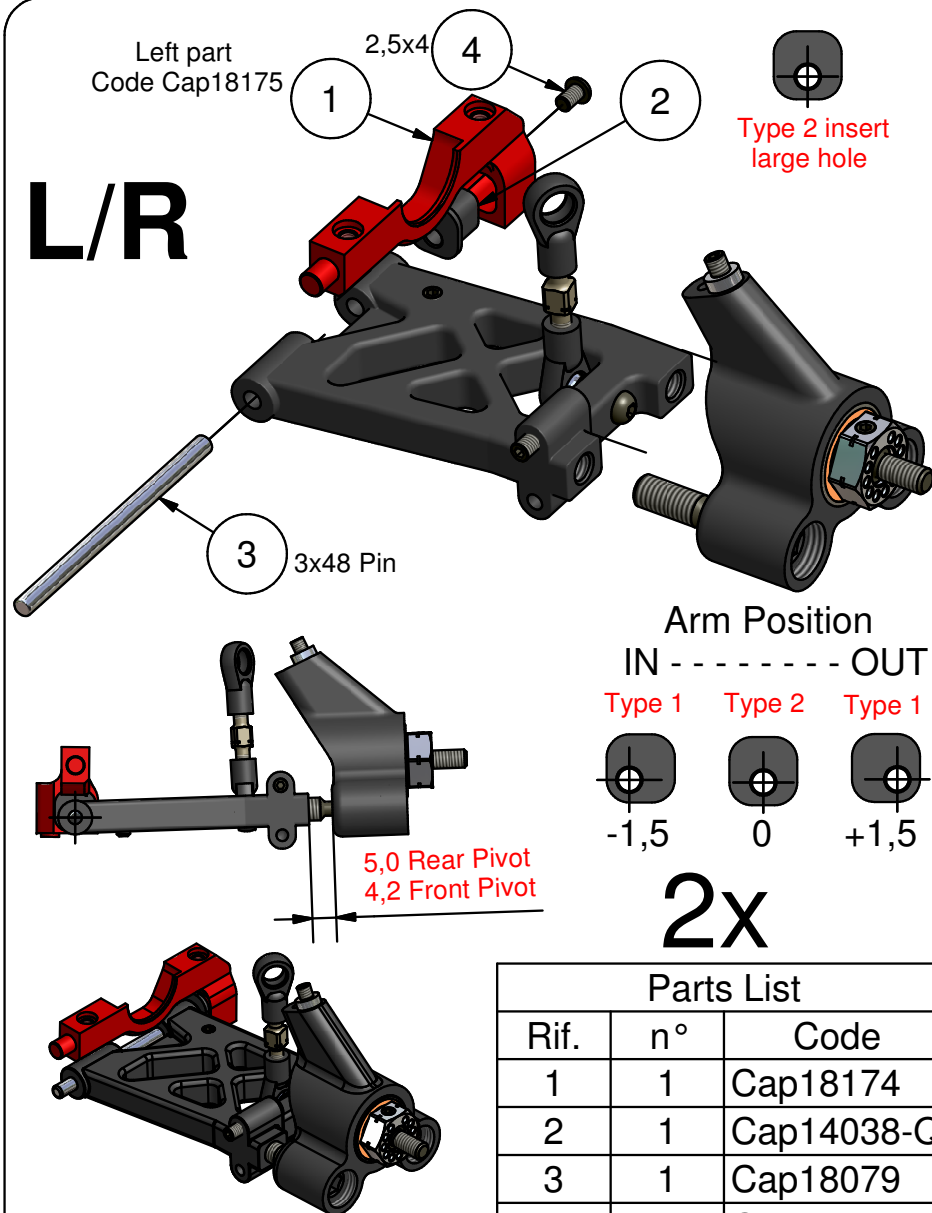
L/R



2x

Parts List		
Rif.	n°	Code
1	1	Cap14008B
2	1	Cap17008
3	1	Cap18169
4	1	Cap17032
5	1	Cap17005

L/R



2x

Parts List		
Rif.	n°	Code
1	1	Cap18174
2	1	Cap14038-Q
3	1	Cap18079
4	1	Cap18019

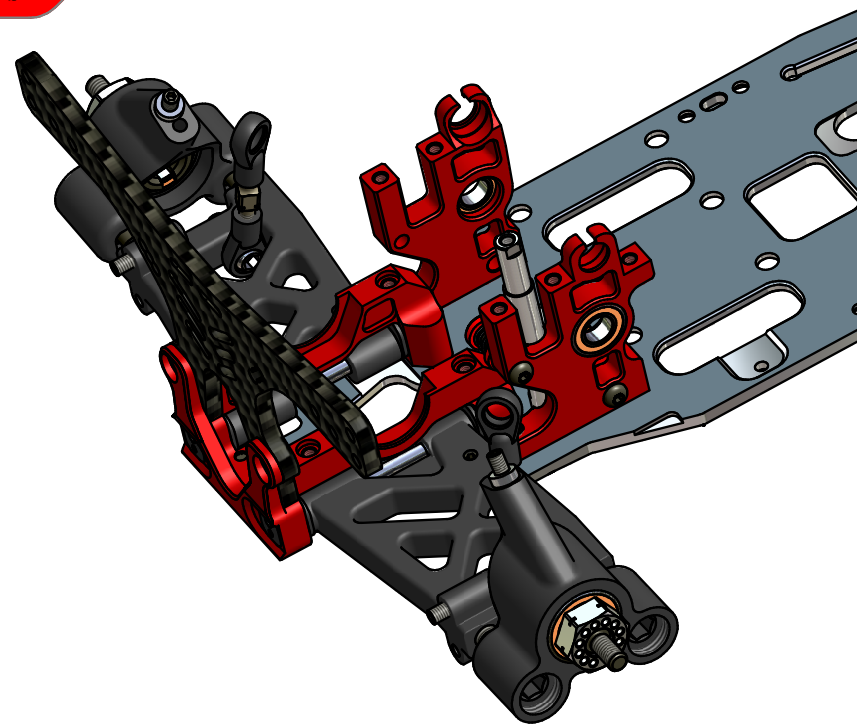
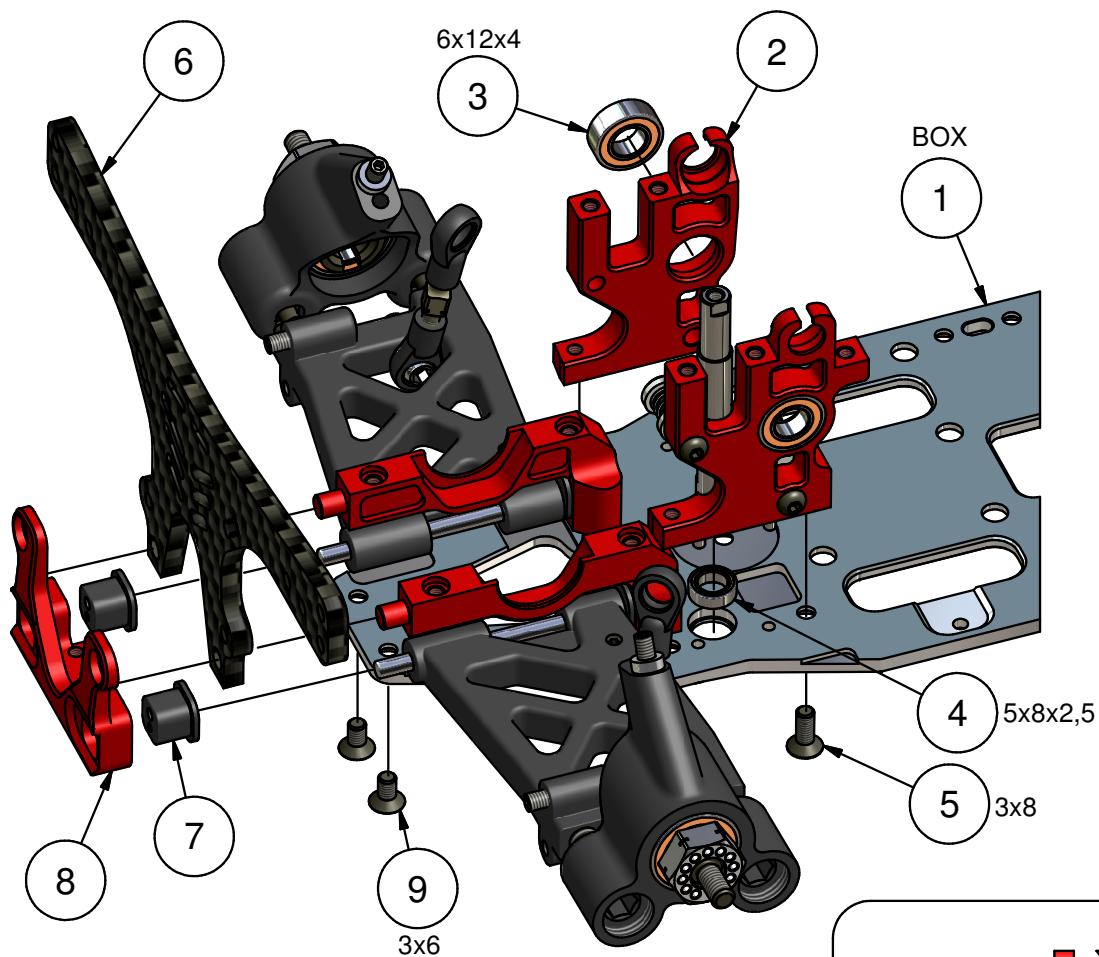
Made in Italy



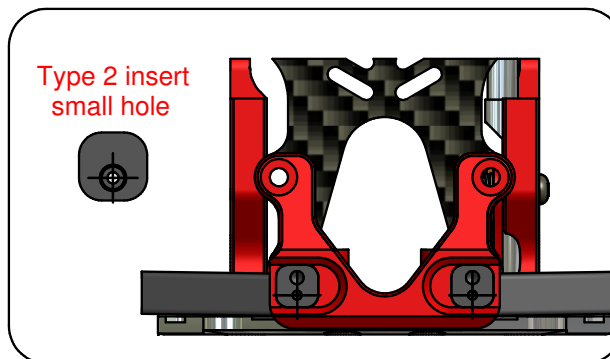
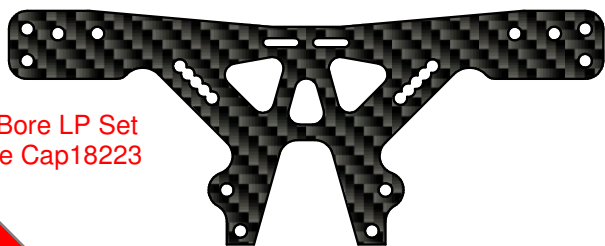
Step 11.2

- Rear Suspension - BAG 11

Capricorn RC



Big Bore LP Set
Code Cap18223



Parts List		
Rif.	n°	Code
1	1	Cap18222
2	1	Cap18188
3	1	Cap16021
4	1	Cap16019
5	4	Cap17031
6	1	Cap18190
7	4	Cap14038-Q
8	1	Cap18178
9	4	Cap17029

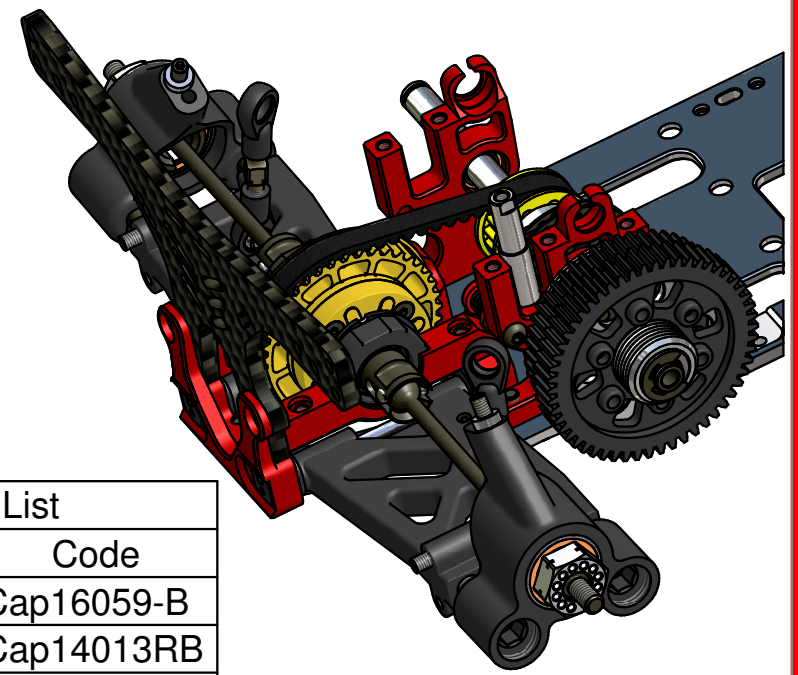
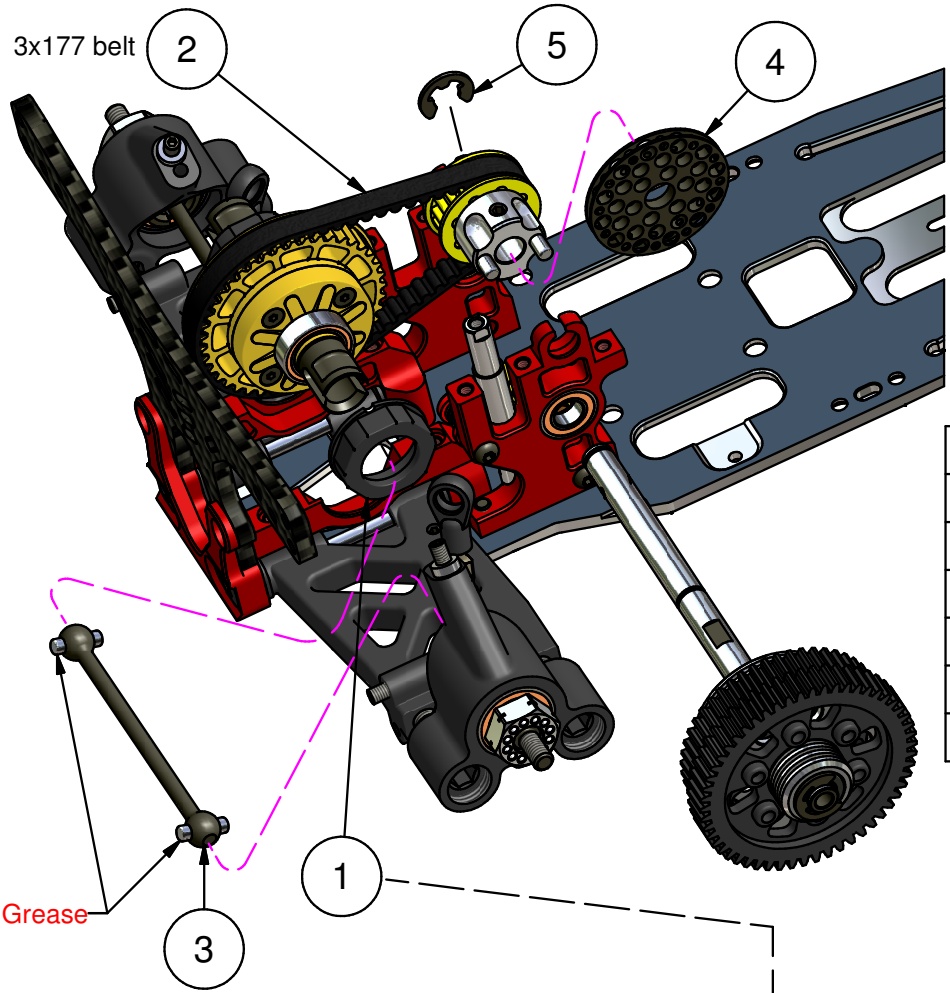
Made in Italy



Step 11.3


- Rear Transmission - BAG 11

Capricorn RC




Parts List		
Rif.	n°	Code
1	2	Cap16059-B
2	1	Cap14013RB
3	2	Cap18081
4	1	Cap18068
5	1	Cap17002

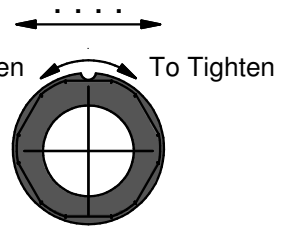
Grease



52mm CVD version Option
code Cap18201-K



Metal version Option
code Cap16059M



To Loosen To Tighten

Note:
Set right and left side
in the same way for a
correct belt tension

Made in Italy

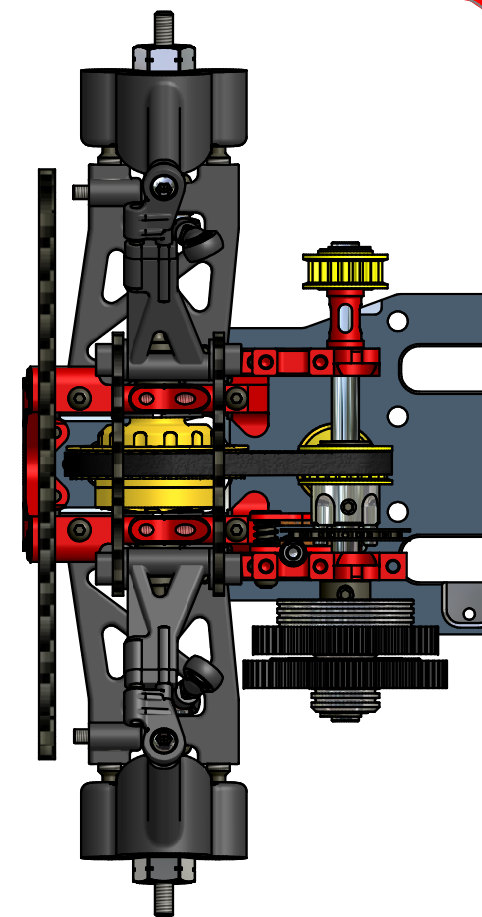
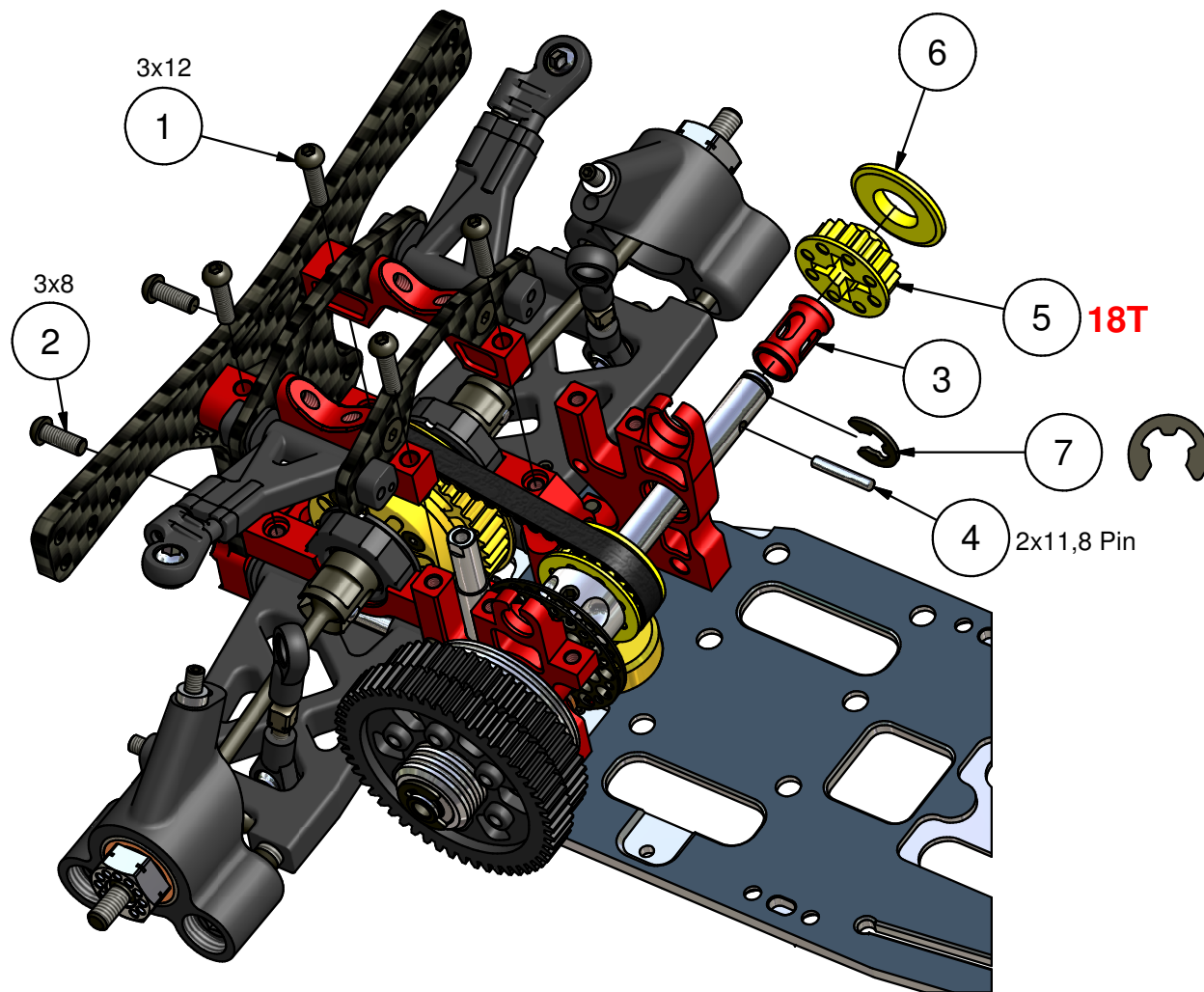


Step 11.4

- Rear Suspension - BAG 11

Capricorn RC

L/R



Parts List		
Rif.	n°	Code
1	4	Cap17026
2	2	Cap17032
3	1	Cap14022-18
4	1	Cap17016
5	1	Cap14023
6	1	Cap14023
7	1	Cap17002

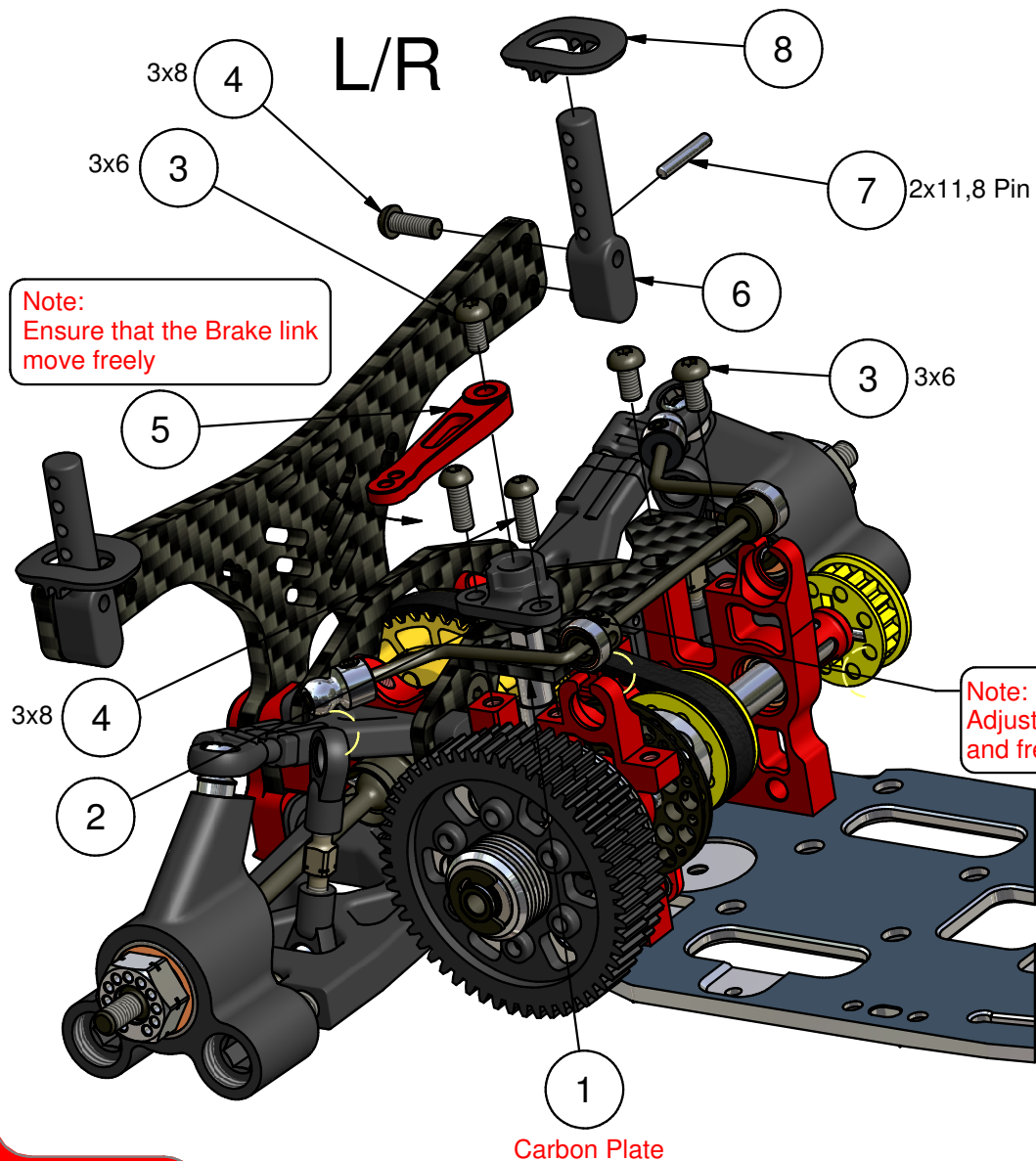
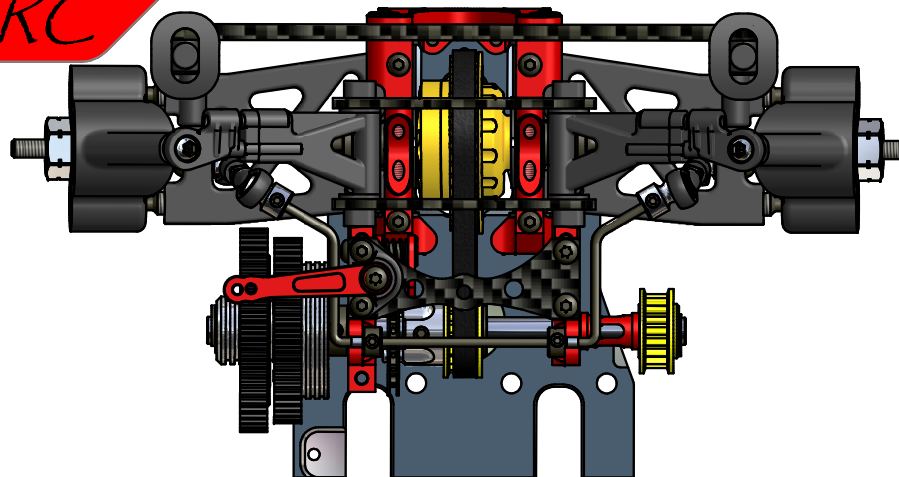
Made in Italy



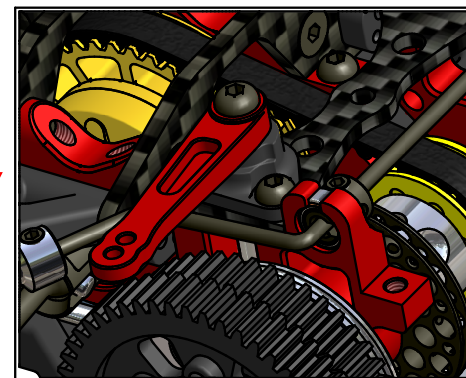
Step 11.5

- Rear Suspension - BAG 11

Capricorn RC



Zoom view



Parts List

Rif.	n°	Code
1	1	Cap18063
2	1	Cap16068P
3	3	Cap17030
4	4	Cap17032
5	1	Cap 2392B
6	2	Cap15012
7	2	Cap17016
8	2	Cap15013

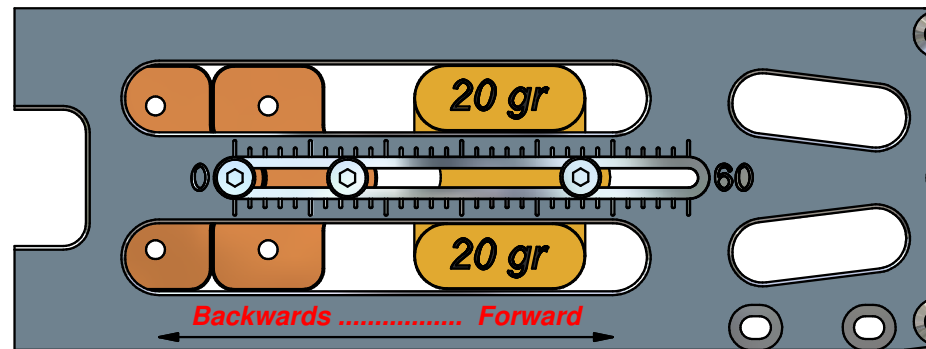
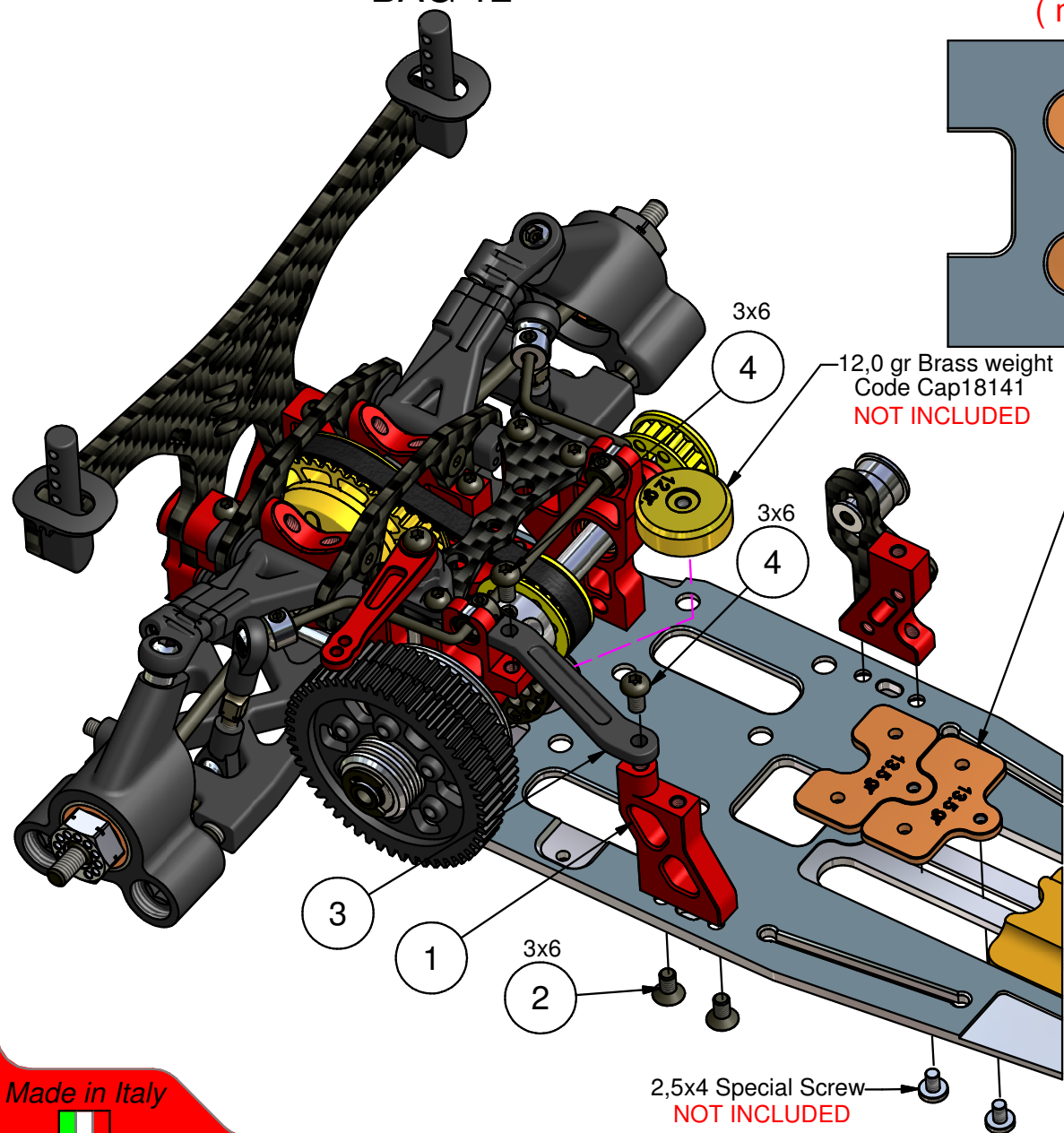
Made in Italy



Step 12.0 - Central Uprights
Adjustable weights -
BAG 12

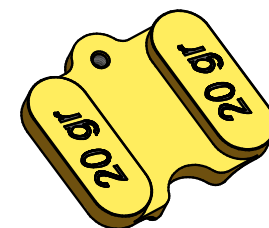
Capricorn RC

Adjust weights scale position to obtain desired dynamic balance
(maximum of 5 different weights)



Adjustable weight
NOT INCLUDED
Brass
20,0 gr Code Cap18221

Special alloy
13,5 gr Code Cap18162-13,5
27,0 gr Code Cap18162-27



Parts List		
Rif.	n°	Code
1	1	Cap16036
2	5	Cap17029
3	1	Cap15009P
4	2	Cap17030

Made in Italy

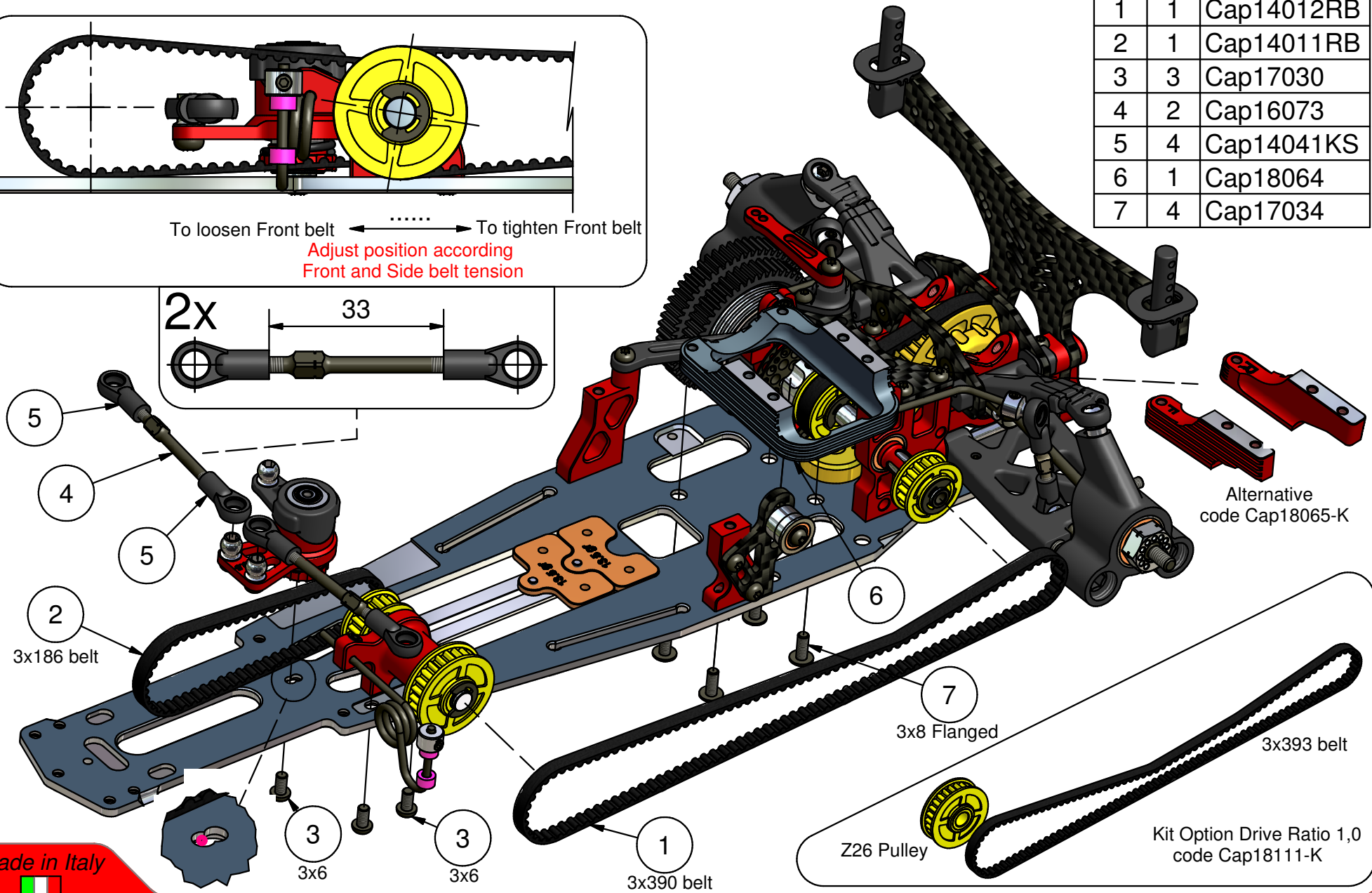
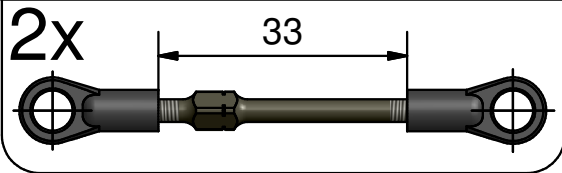
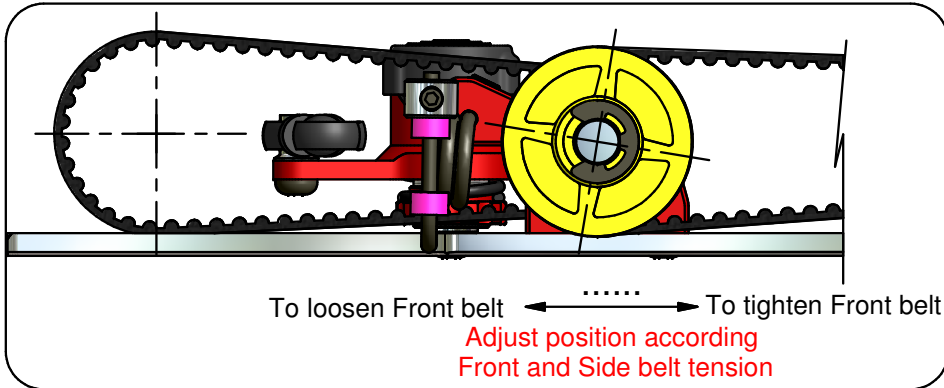


Step 12.1

- Middle Transmission - BAG 12

Capricorn RC

Parts List		
Rif.	n°	Code
1	1	Cap14012RB
2	1	Cap14011RB
3	3	Cap17030
4	2	Cap16073
5	4	Cap14041KS
6	1	Cap18064
7	4	Cap17034



Made in Italy

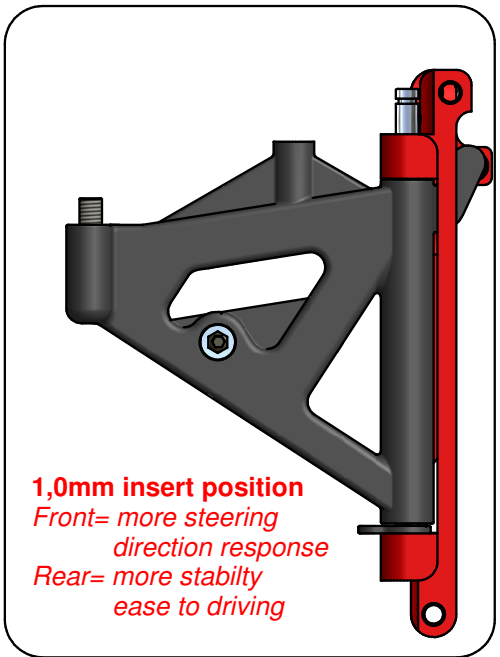
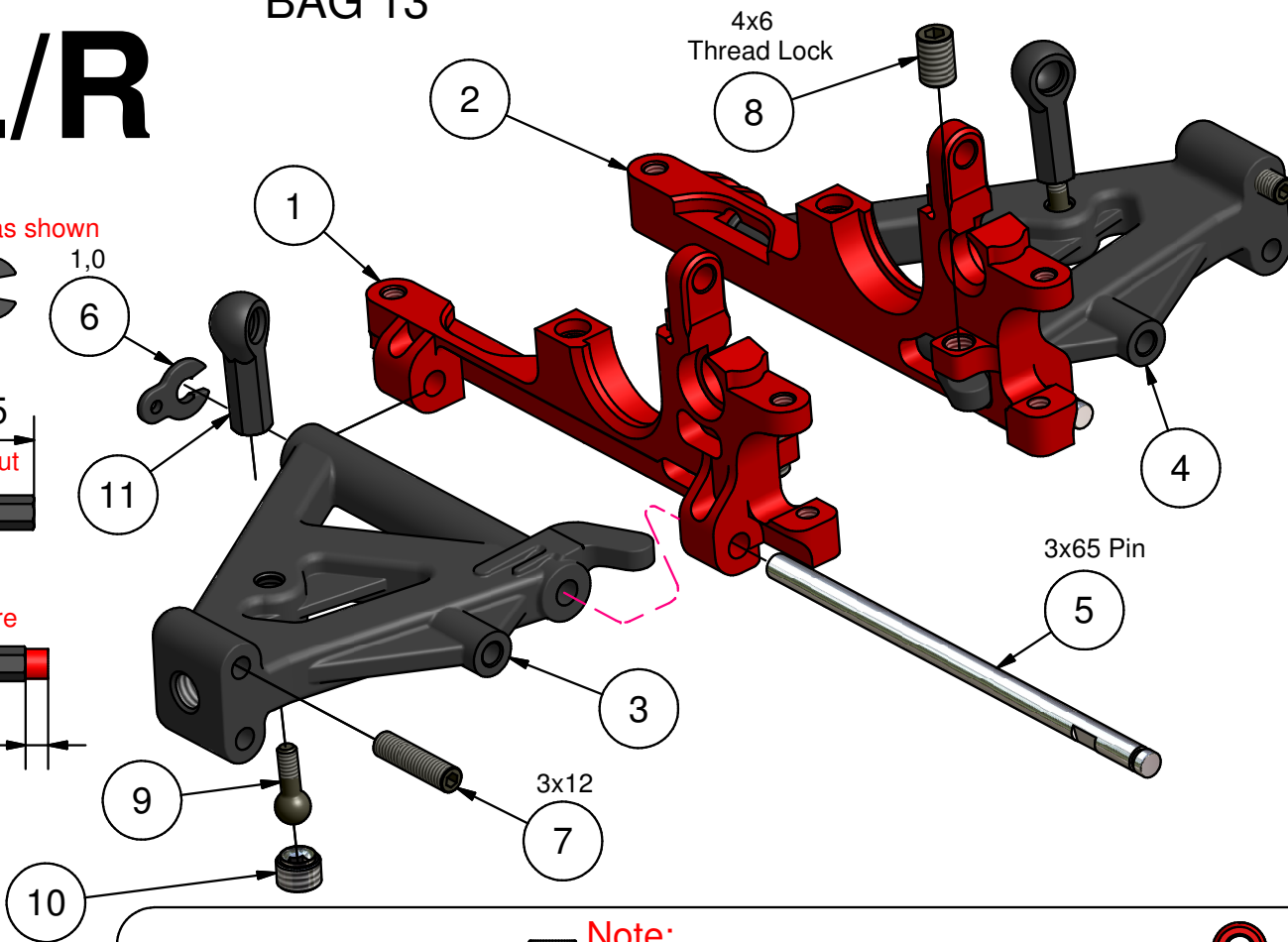
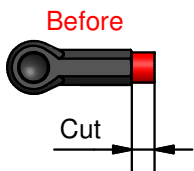
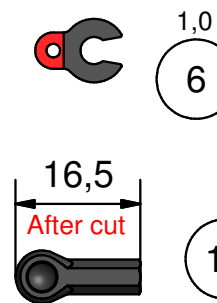
Step 13.0

- Front Suspension - BAG 13

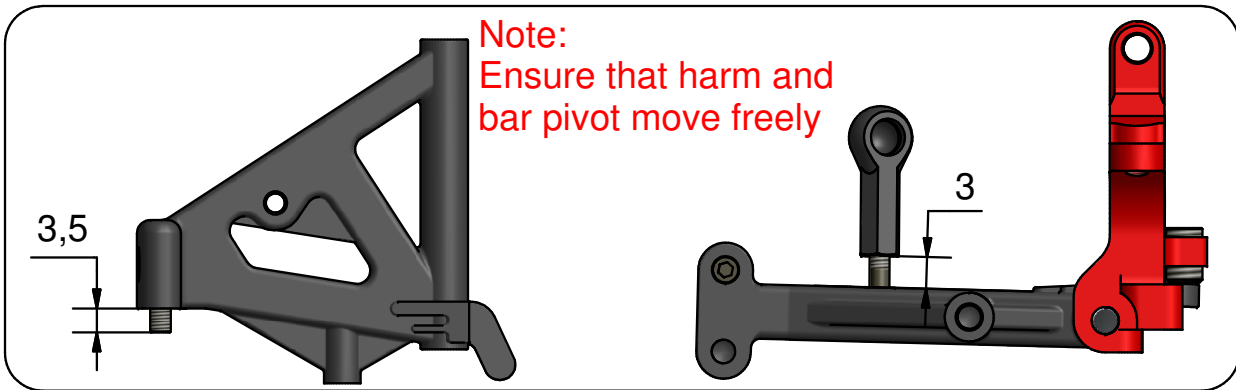
Capricorn RC

L/R

Note:
Remove as shown



1,0mm insert position
 Front= more steering
 direction response
 Rear= more stability
 ease to driving



Parts List		
Rif.	n°	Code
1	1	Cap18183
2	1	Cap18184
3	1	Cap14005B
4	1	Cap14006B
5	2	Cap16051
6	2	Cap14031
7	2	Cap17005
8	2	Cap17011
9	2	Cap17051
10	2	Cap17052
11	2	Cap17041

Made in Italy

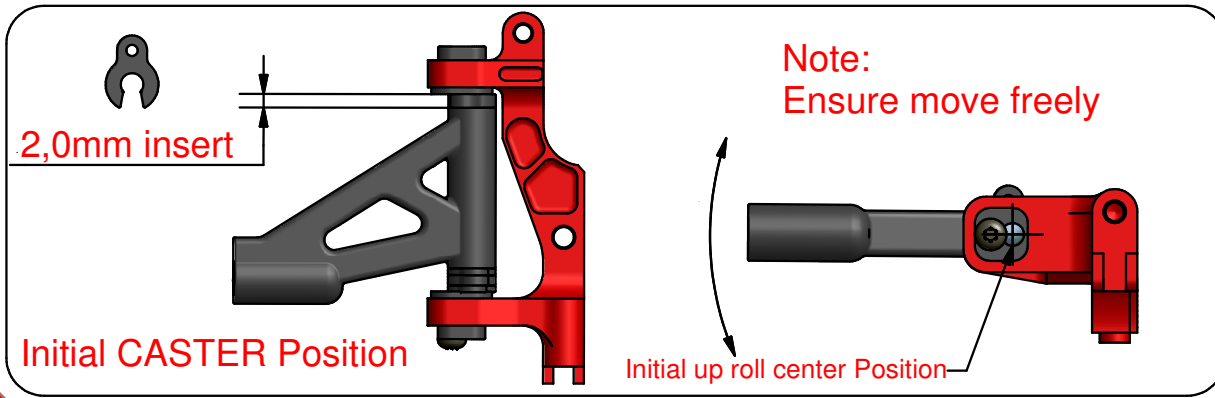
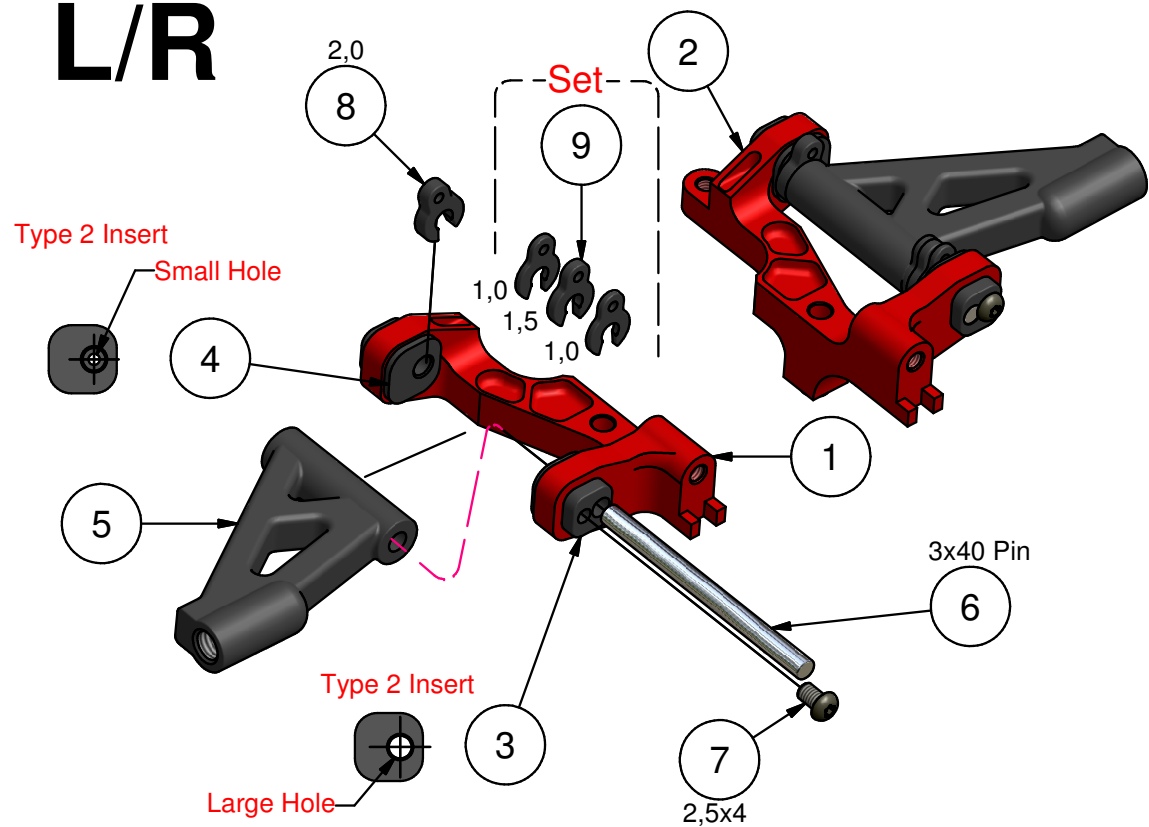


Step 13.1

- Front Suspension - BAG 13

Capricorn RC

L/R



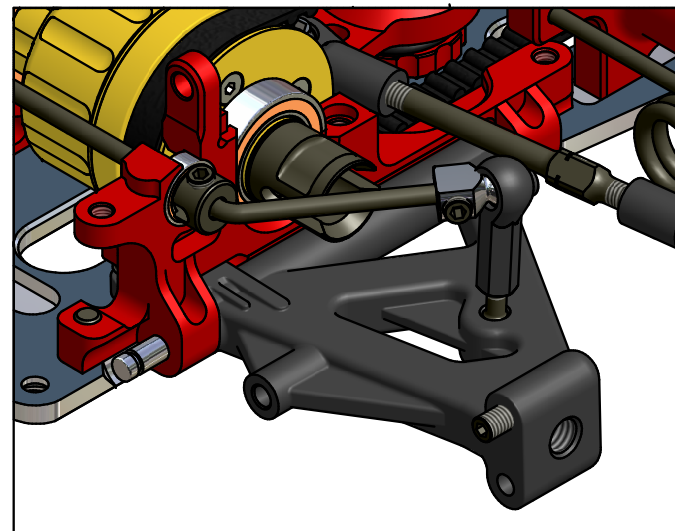
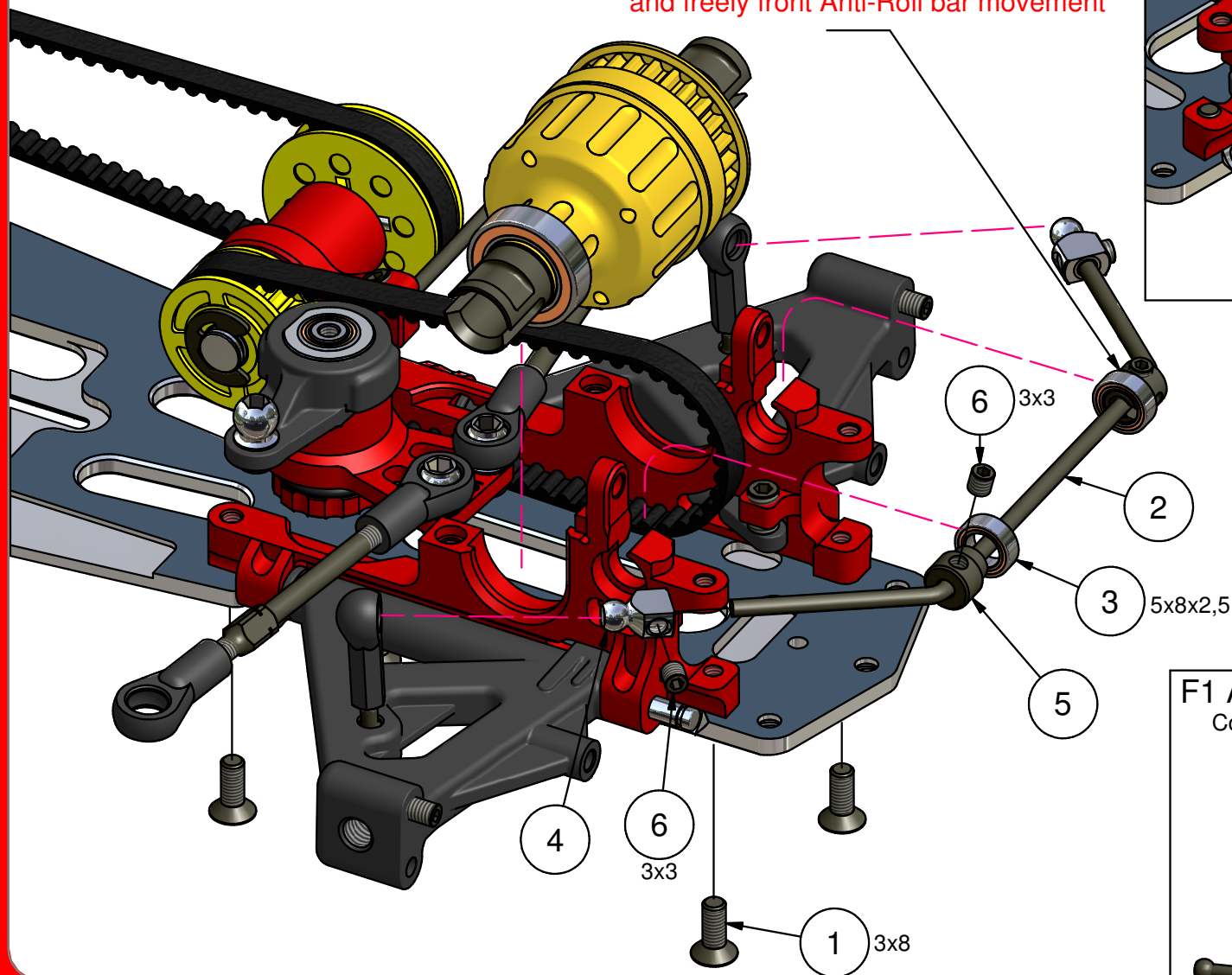
Parts List		
Rif.	n°	Code
1	1	Cap18185
2	1	Cap18186
3	2	Cap14038-Q
4	2	Cap14038-Q
5	2	Cap14007B
6	2	Cap 2086
7	2	Cap18019
8	2	Cap14031-2.0
9	2	Cap14031

Step 13.2

- Front Suspension - BAG 13

Capricorn RC

Note:
Adjust position for minimum offset
and freely front Anti-Roll bar movement



Parts List		
Rif.	n°	Code
1	4	Cap17031
2	1	Cap18075-2.3
3	2	Cap16019
4	2	Cap 2485-2.3
5	2	Cap18088-2.3
6	4	Cap17006

F1 Anti-Roll bar kit
Code Cap18012

bar insert
Code Cap18014-X
0,8 Soft
1,0 Medium
1,2 Hard

Made in Italy

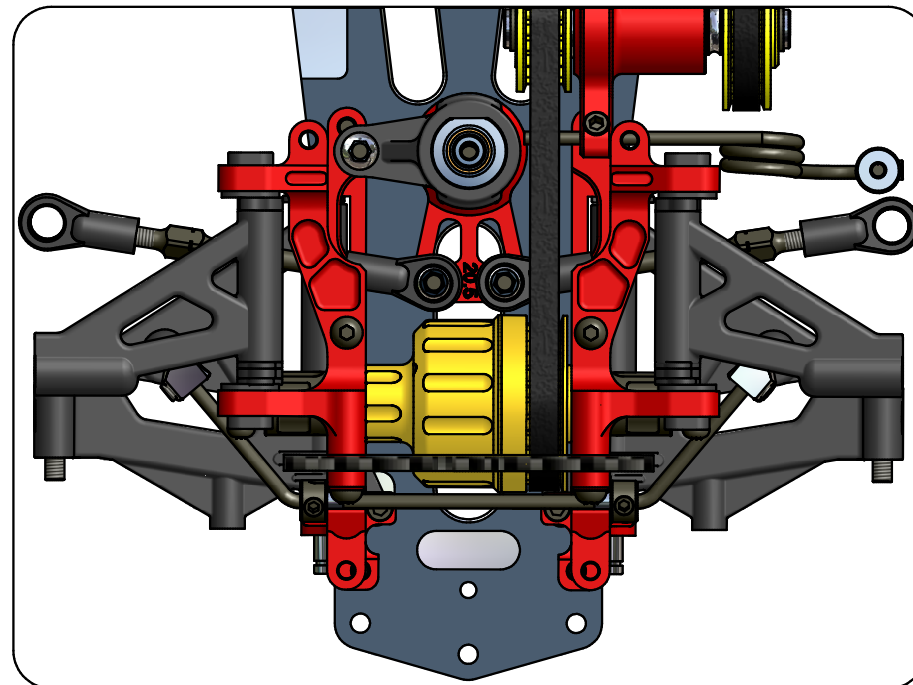
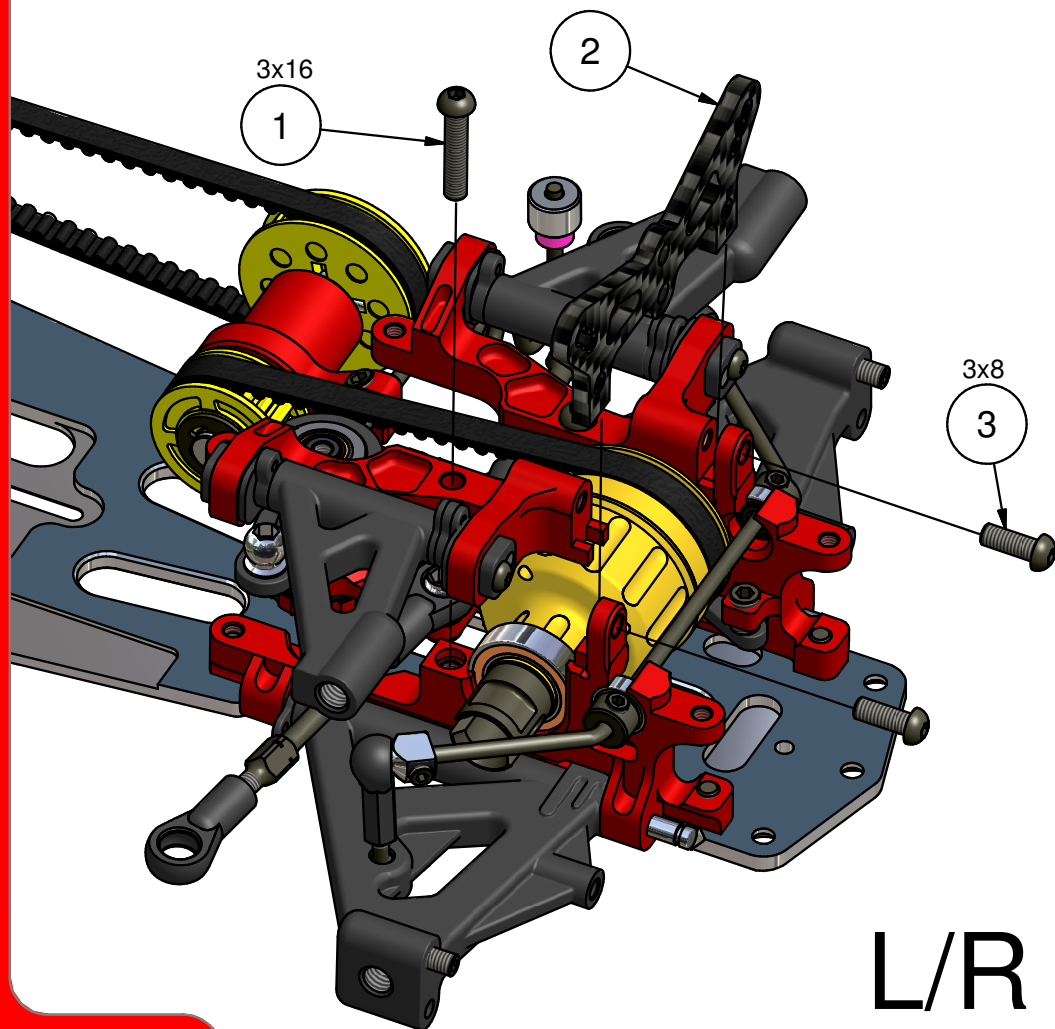
Step 13.3

- Front Suspension - BAG 13

Capricorn RC



Big Bore LP Set
Code Cap18030



Parts List		
Rif.	n°	Code
1	2	Cap17028
2	1	Cap18136
3	2	Cap17032

L/R

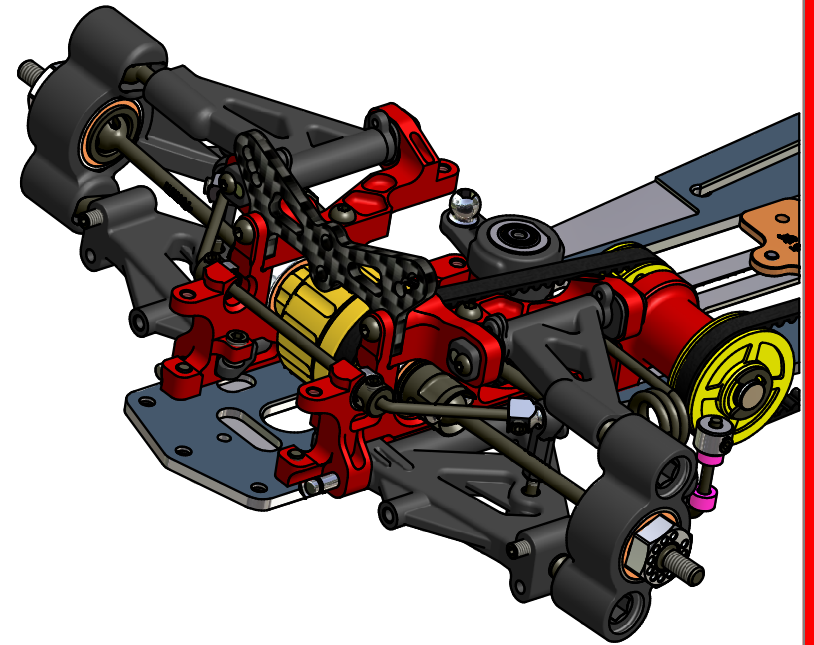
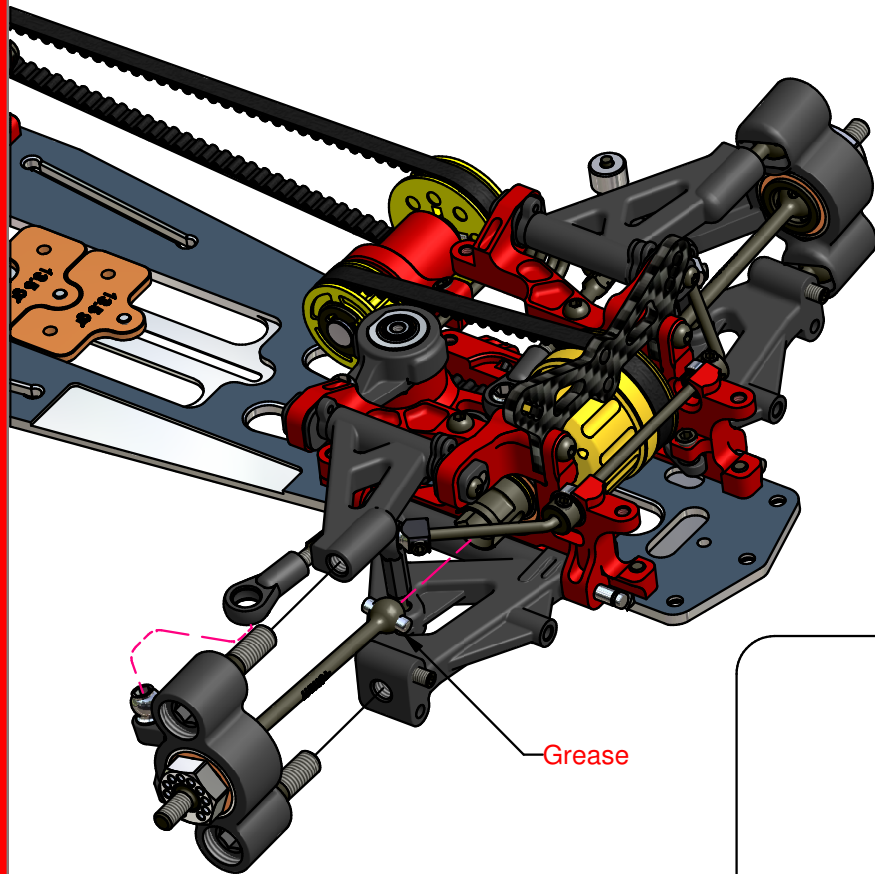
Made in Italy



Step 13.4

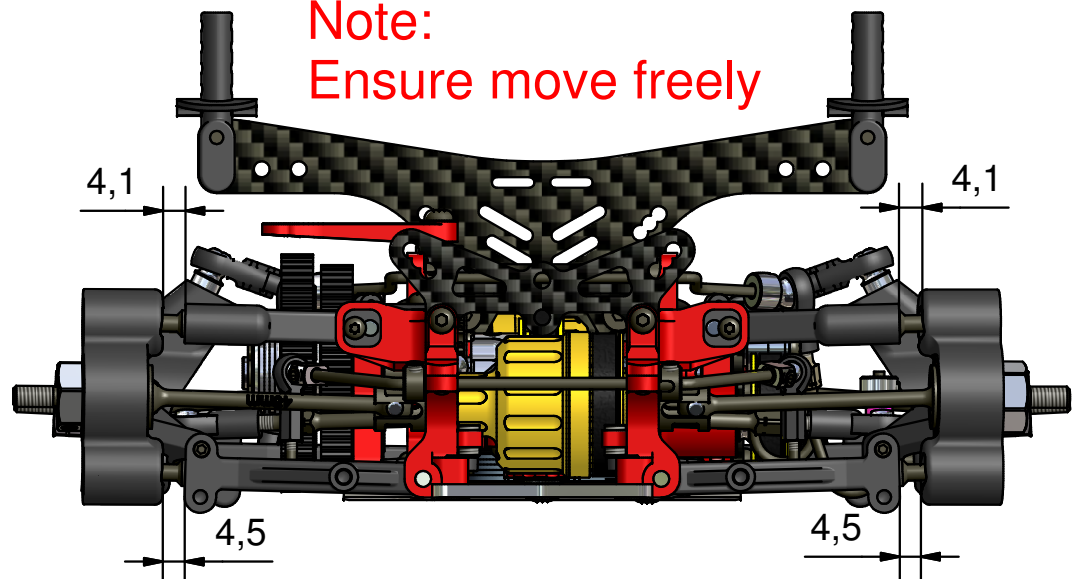
- Front Suspension - BAG 13

Capricorn RC



L/R

Note:
Ensure move freely



Made in Italy



Step 13.5

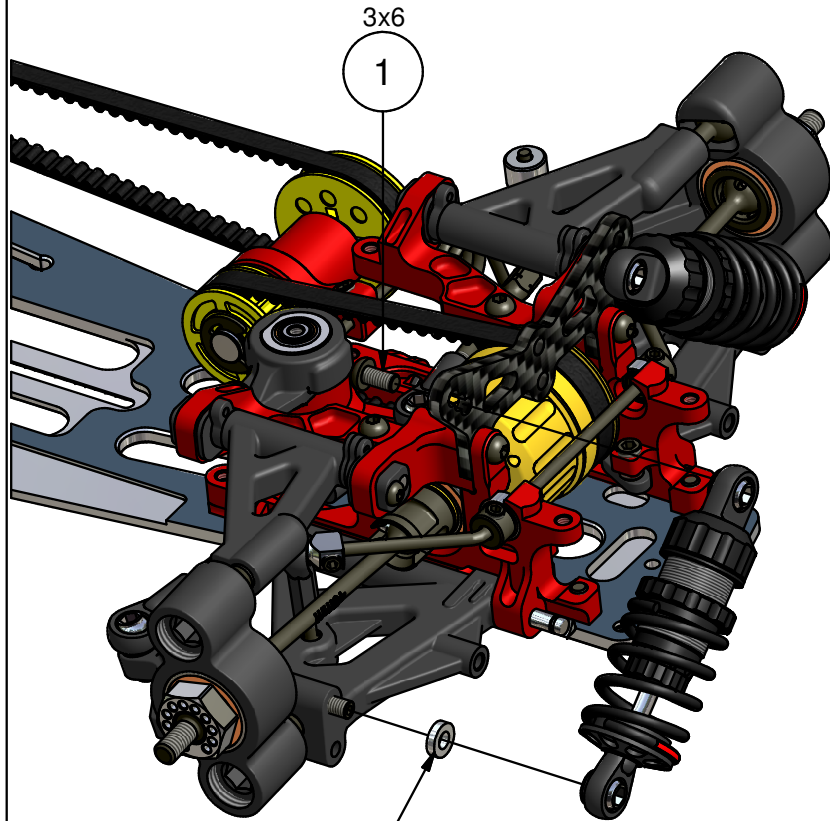
**- Shock Assembly -
BAG 13**

Capricorn RC

Front



Initial Position



L/R

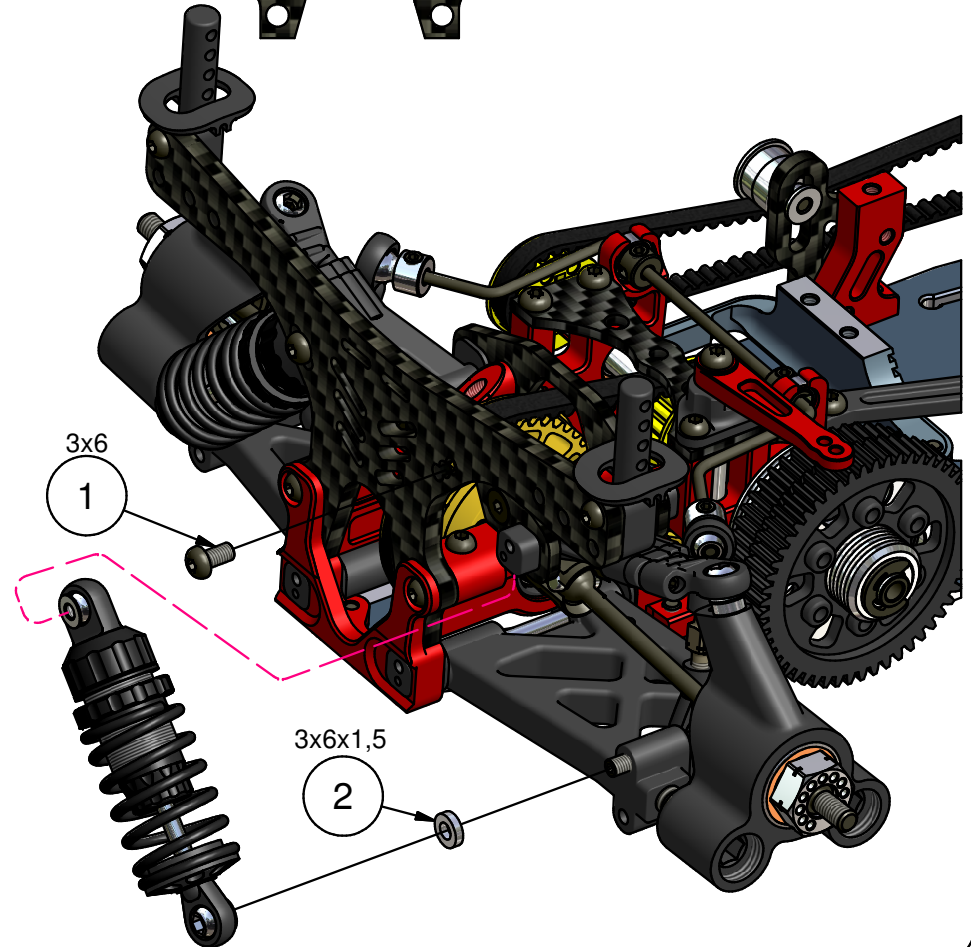
2
3x6x1,5

Parts List		
Rif.	n°	Code
1	4	Cap17030
2	4	Cap22019

Rear



L/R



3x6x1,5

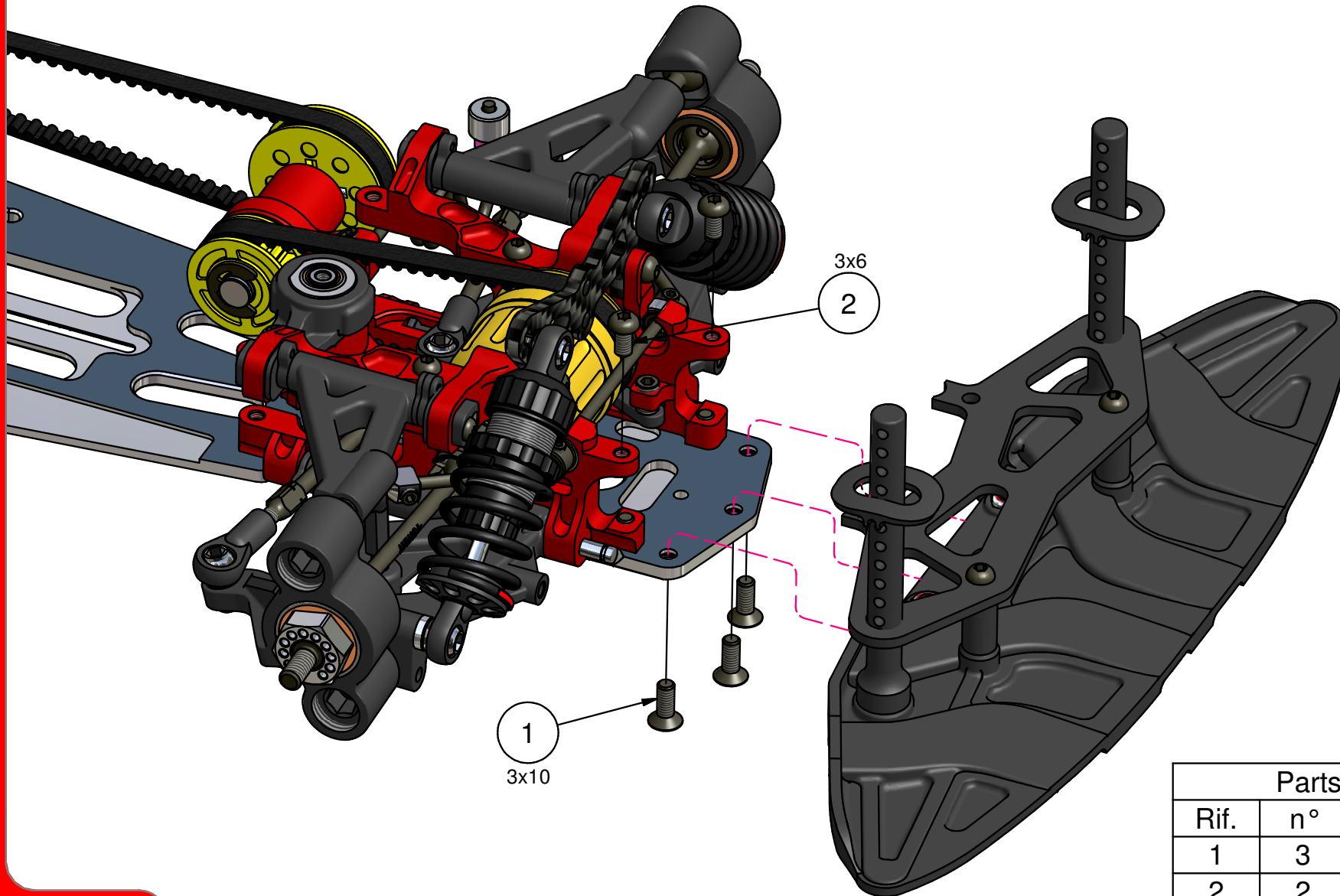
2

Made in Italy



Step 13.6 - Bodymounts Assembly -
BAG 13

Capricorn RC



Parts List		
Rif.	n°	Code
1	3	Cap17031
2	2	Cap17030

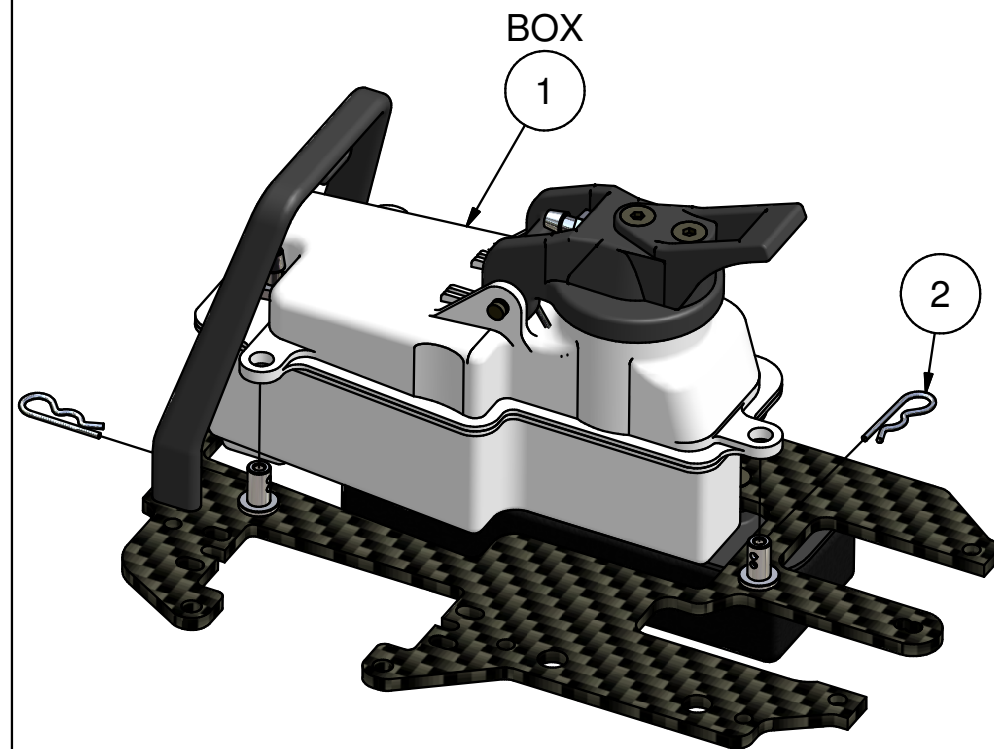
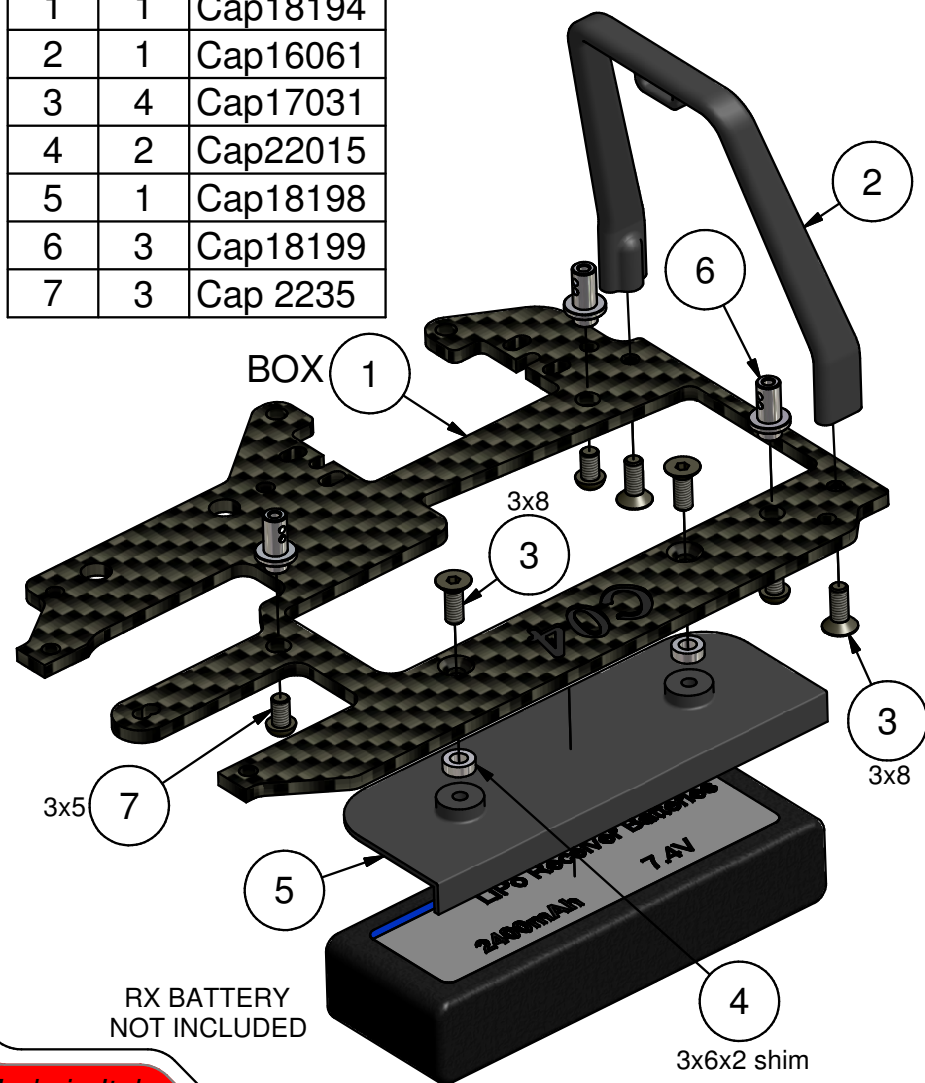
Made in Italy



Step 14.0 - Fuel Tank & F.F.S. - BAG 14

Capricorn RC

Parts List		
Rif.	n°	Code
1	1	Cap18194
2	1	Cap16061
3	4	Cap17031
4	2	Cap22015
5	1	Cap18198
6	3	Cap18199
7	3	Cap 2235



Parts List		
Rif.	n°	Code
1	1	Cap18197
2	3	Cap27002

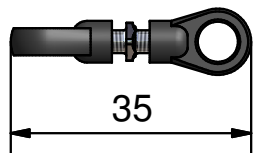
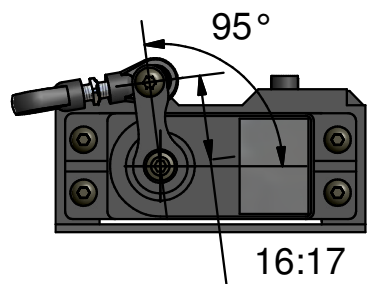
Made in Italy



Step 14.1

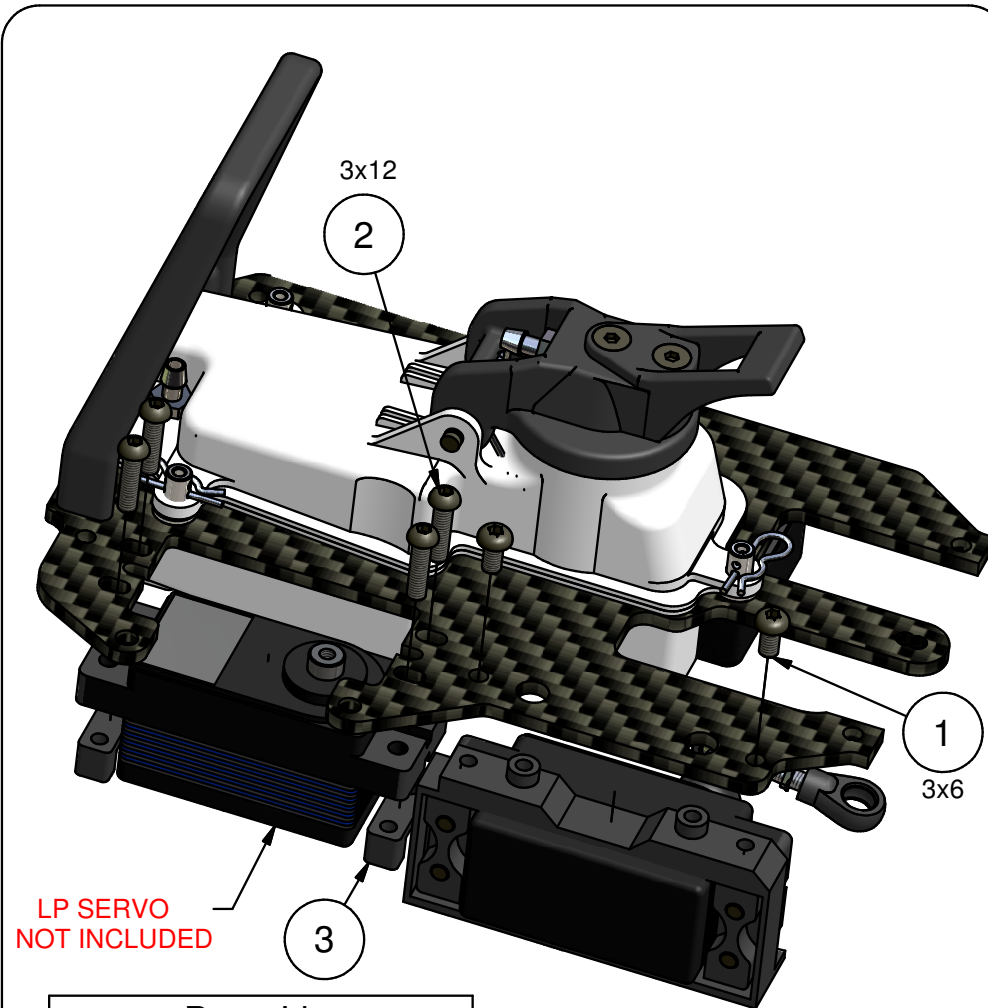
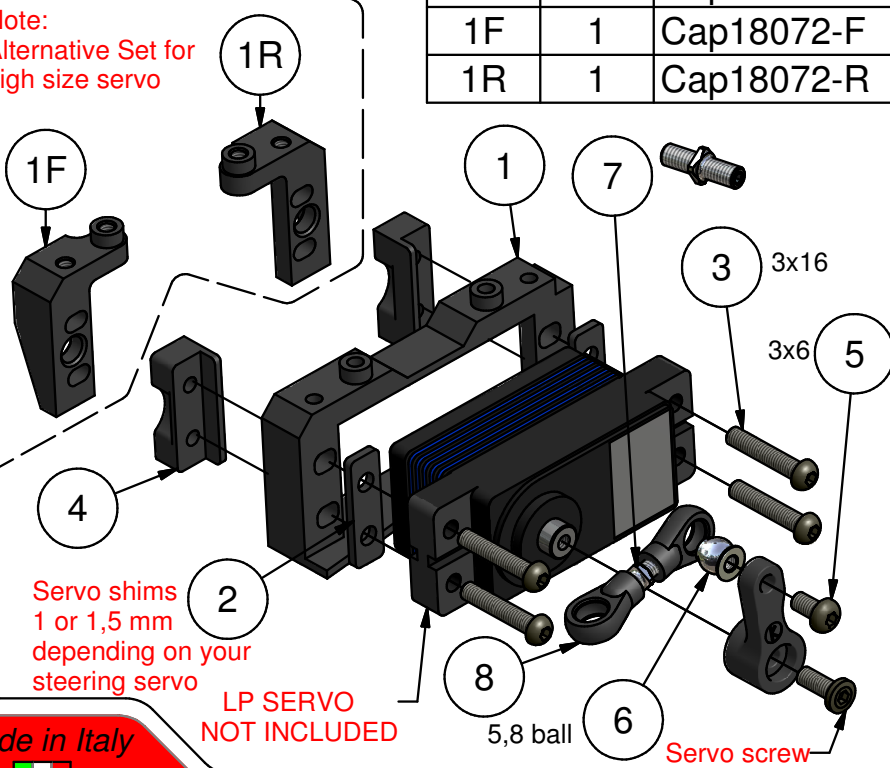
- Electronics - BAG 14

Capricorn RC



Parts List		
Rif.	n°	Code
1	1	Cap16070-B
2	2	Cap17041
3	4	Cap17028
4	2	Cap16048
5	1	Cap17030
6	1	Cap18169
7	1	Cap40463
8	2	Cap14042KS
1F	1	Cap18072-F
1R	1	Cap18072-R

Note:
Alternative Set for
high size servo



Parts List		
Rif.	n°	Code
1	2	Cap17030
2	4	Cap17026
3	2	Cap16048

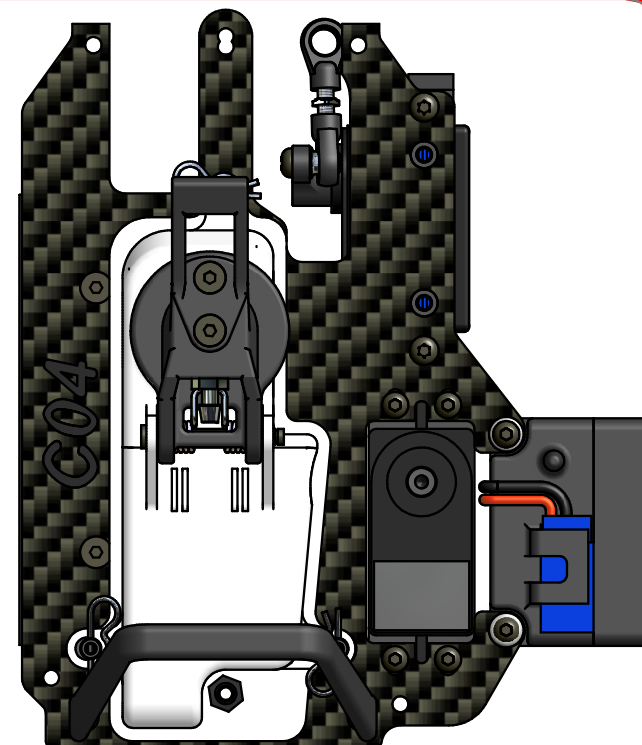
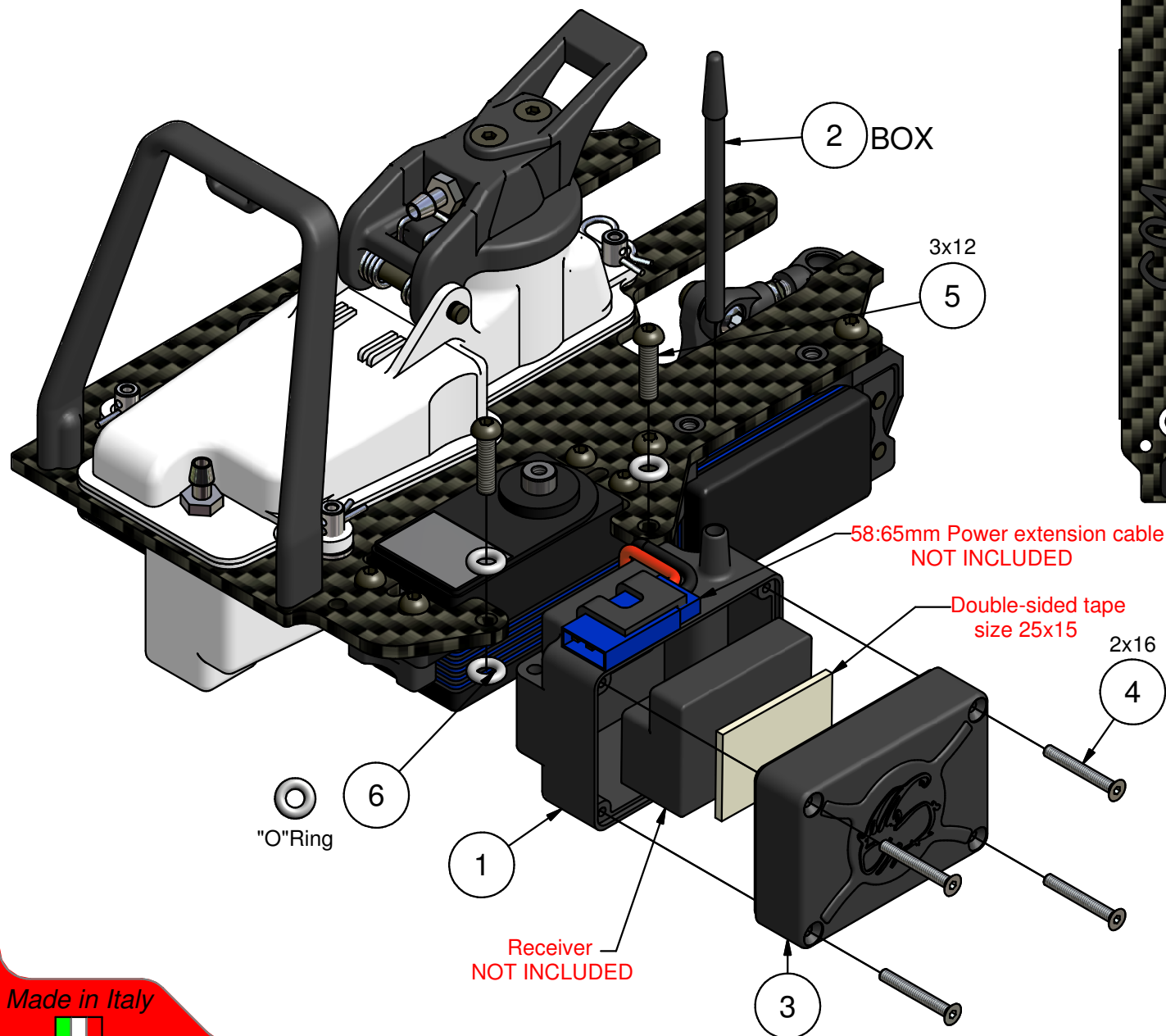
Made in Italy



Step 14.2

- Electronics - BAG 14

Capricorn RC



Parts List		
Rif.	n°	Code
1	1	Cap18073
2	1	Cap14001
3	1	Cap18073
4	4	Cap17047
5	2	Cap17026
6	4	Cap18512

Made in Italy

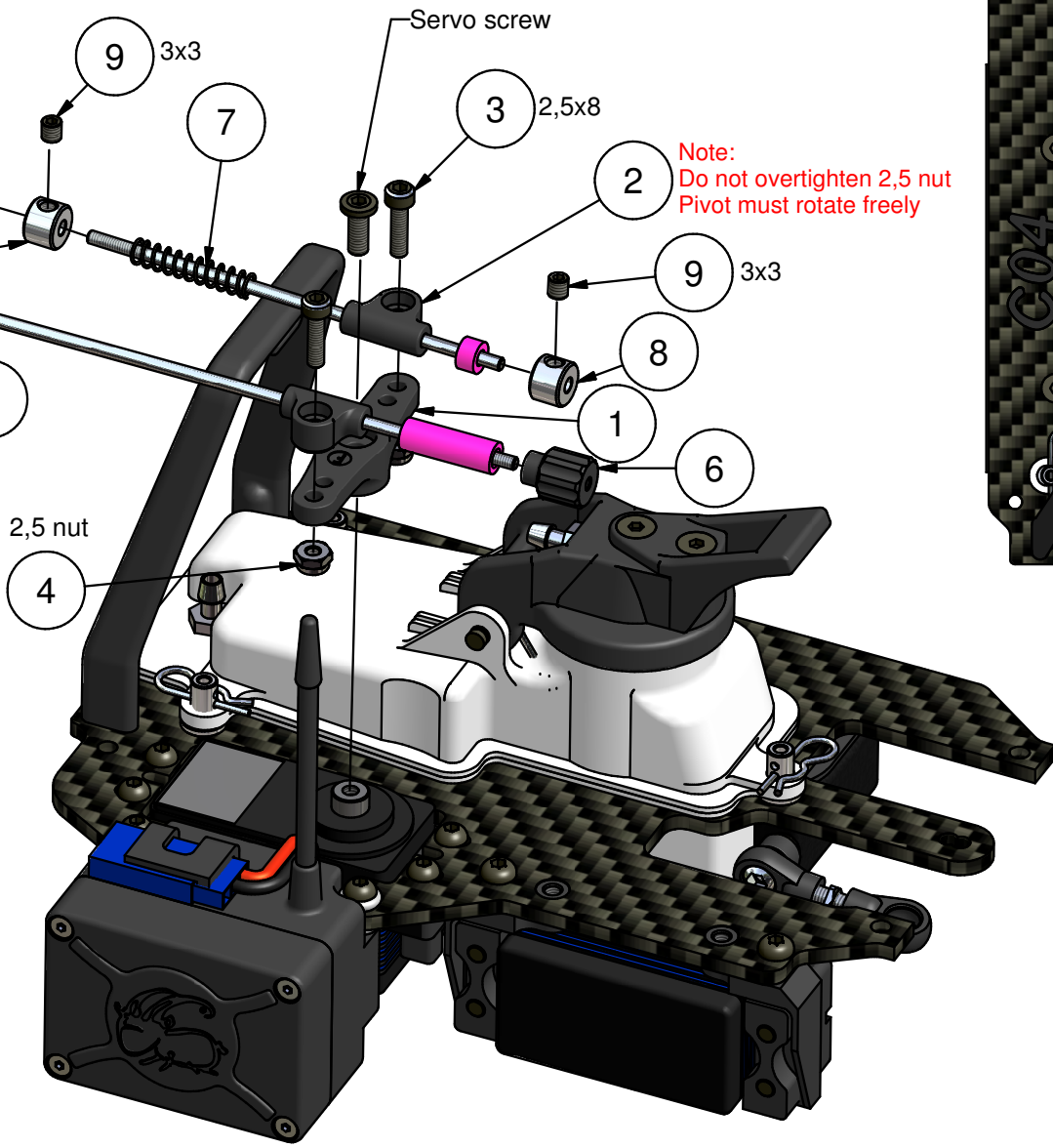
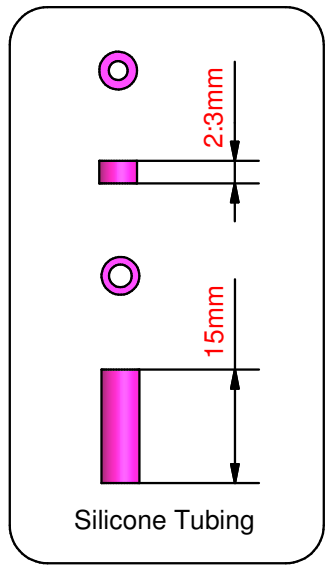
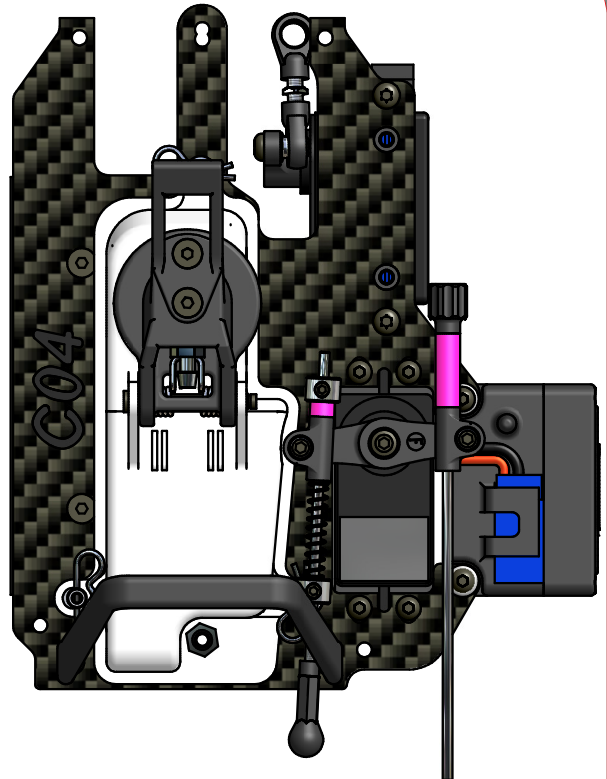


Step 14.3 - Gas/Brake Linkage - BAG 14

Capricorn RC

Note:
Insert link in the
brake arm before

Note:
Do not overtighten 2,5 nut
Pivot must rotate freely



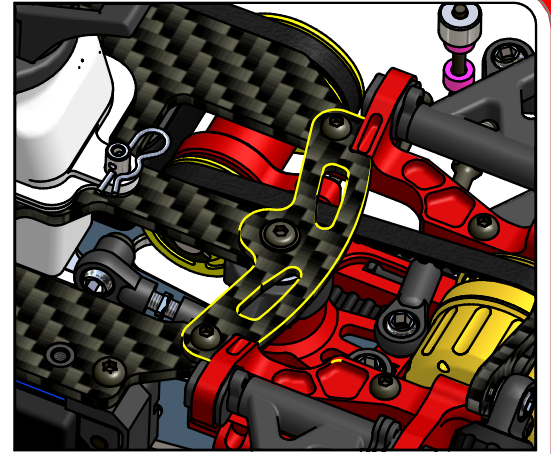
Parts List		
Rif.	n°	Code
1	1	Cap 601
2	2	Cap17041
3	2	Cap17021
4	2	Cap17039
5	1	Cap17041L
6	1	Cap17041
7	1	Cap17041
8	2	Cap16015
9	2	Cap17006
10	1	Cap17041

Made in Italy

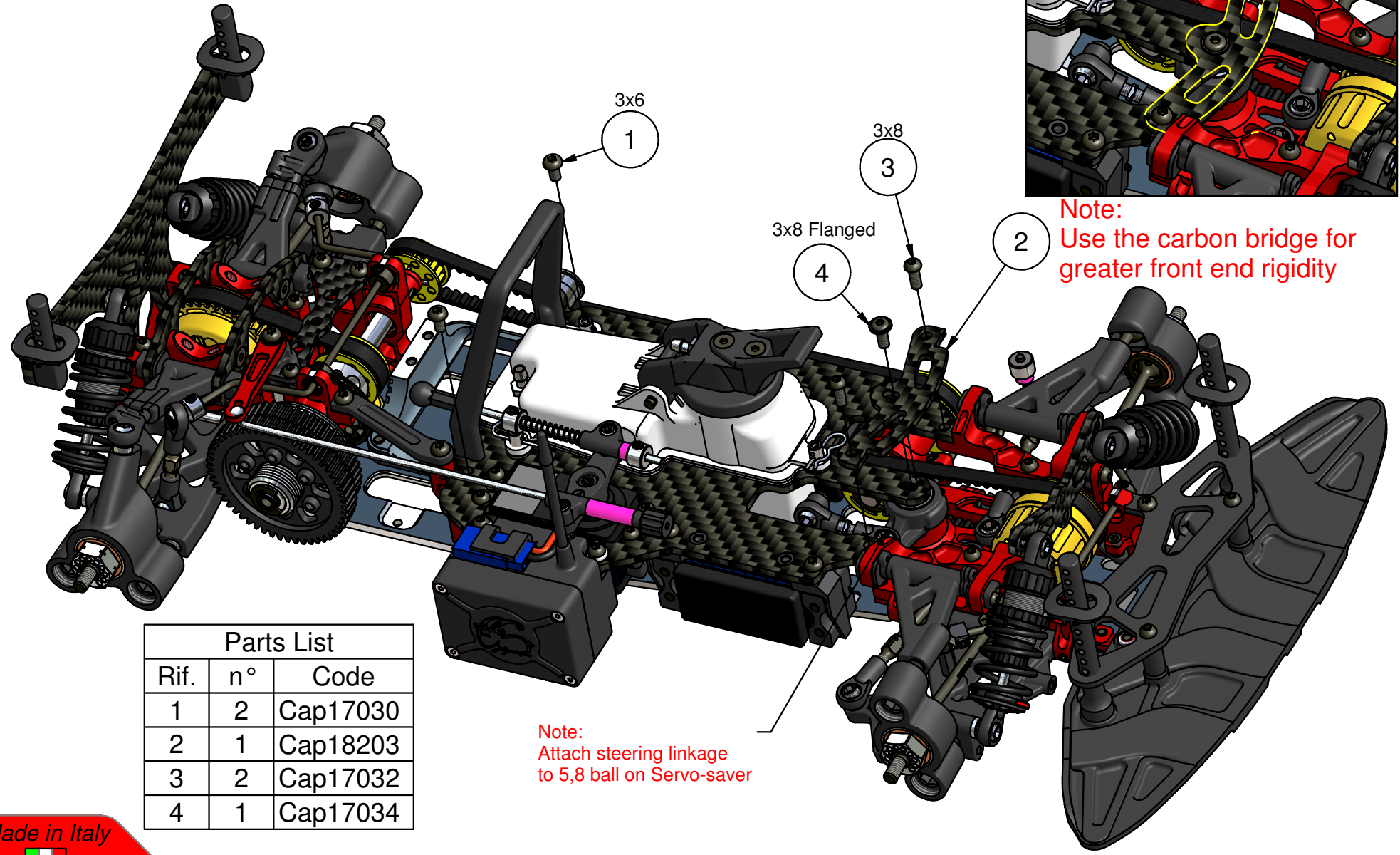
Step 14.4

- Radio plate assembly - BAG 14

Capricorn RC



Note:
Use the carbon bridge for
greater front end rigidity



Parts List		
Rif.	n°	Code
1	2	Cap17030
2	1	Cap18203
3	2	Cap17032
4	1	Cap17034

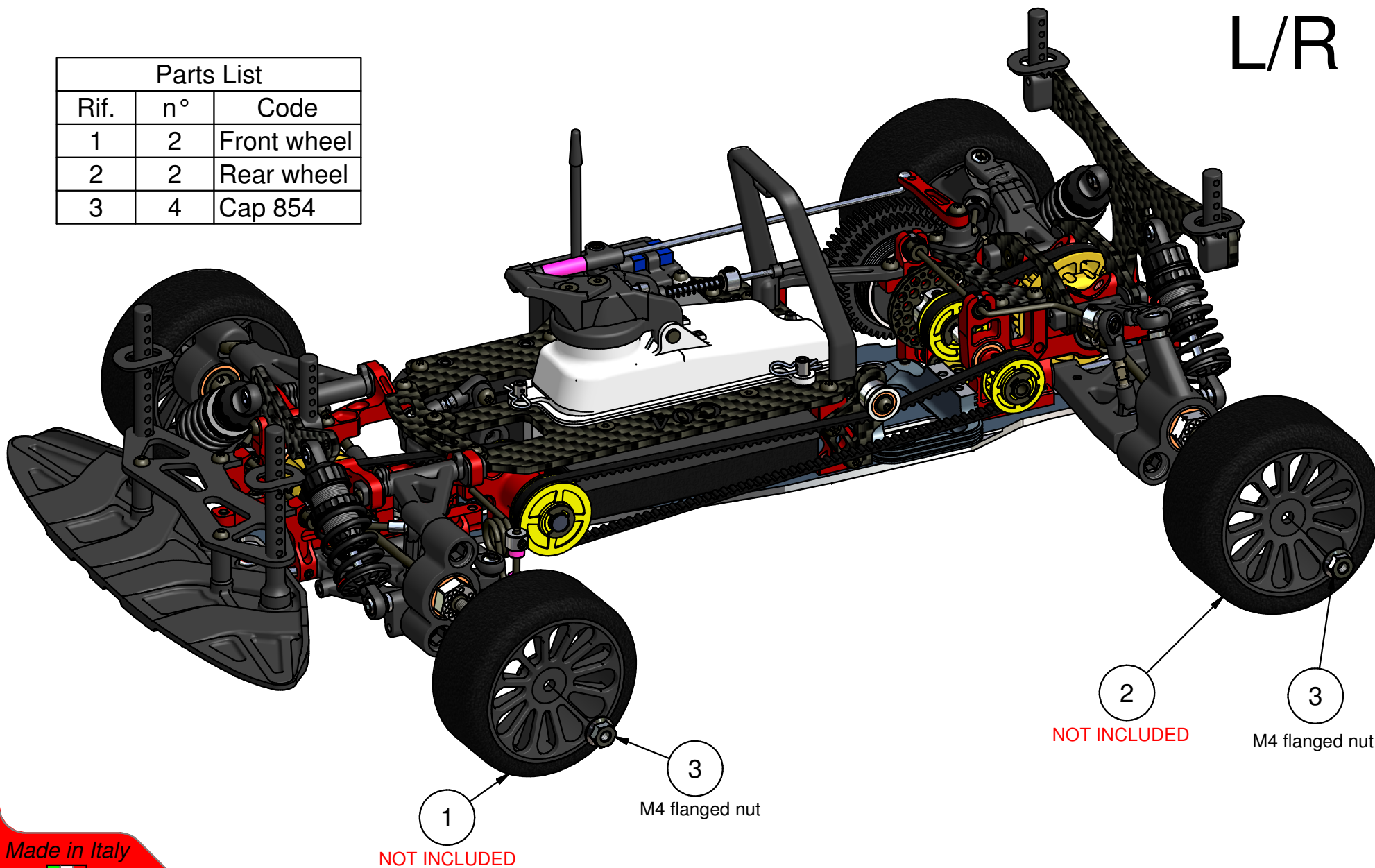
Note:
Attach steering linkage
to 5,8 ball on Servo-saver

Step 14.5 - Wheels assembly - BAG 14

Capricorn RC

L/R

Parts List		
Rif.	n°	Code
1	2	Front wheel
2	2	Rear wheel
3	4	Cap 854



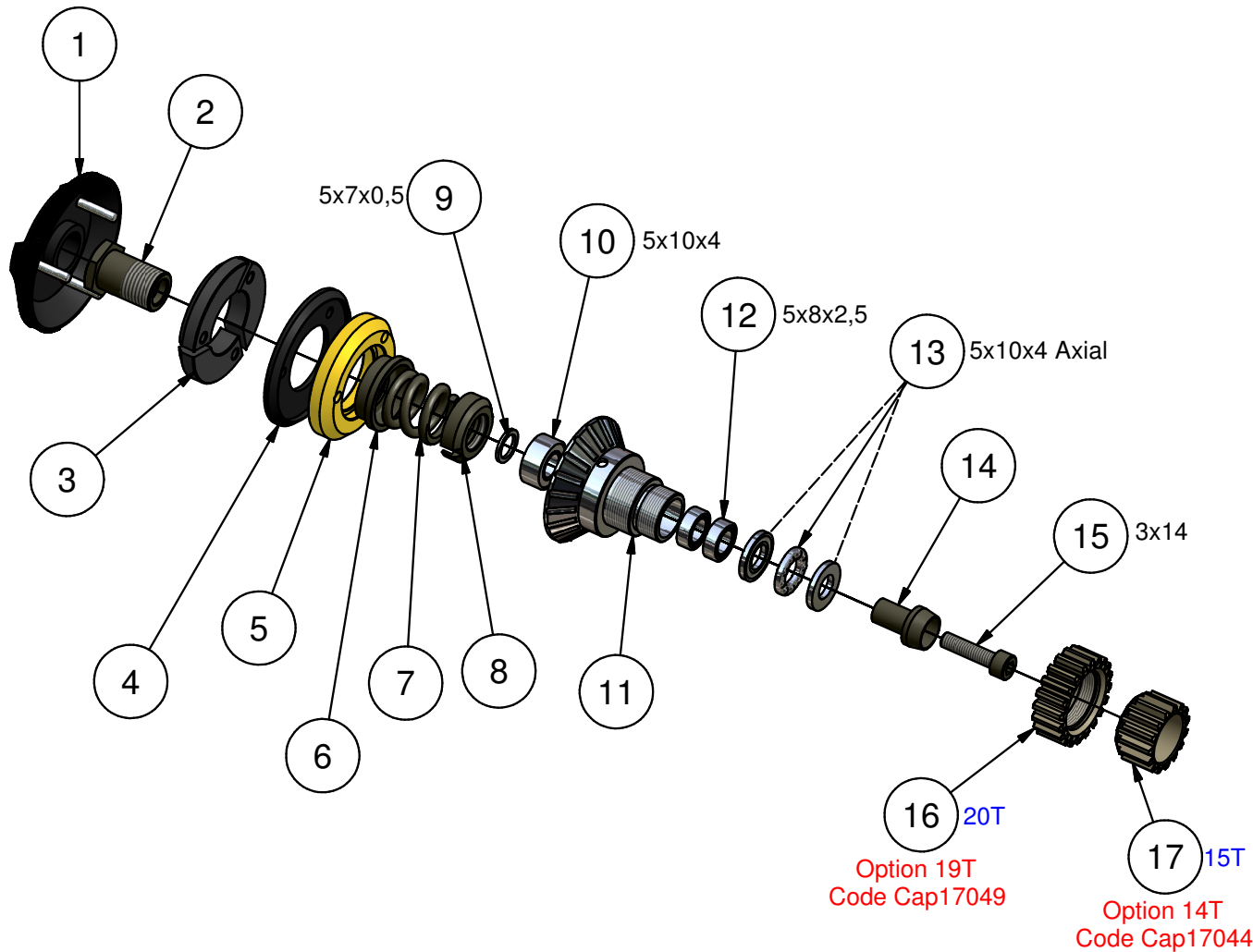
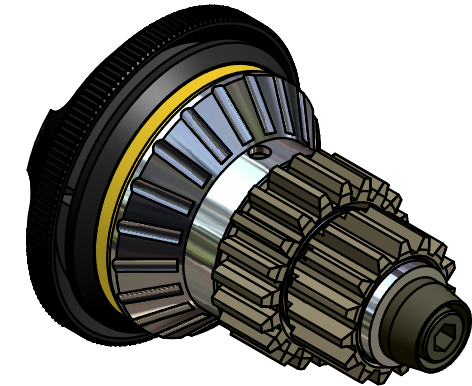
Made in Italy



Step 15.0

- Clutch - BAG 15

Capricorn RC



Parts List		
Rif.	n°	Code
1	1	Cap 405WC
2	1	Cap 408
3	1	Cap 414
4	1	Cap 411M08
5	1	Cap 403-08
6	1	Cap 410WC
7	1	Cap 417
8	1	Cap 409
9	3	Cap 434-0,5
10	1	Cap 413
11	1	Cap407A
12	2	Cap 413
13	1	Cap 412
14	1	Cap 406-08
15	1	Cap 406-08
16	1	Cap17050
17	1	Cap17045

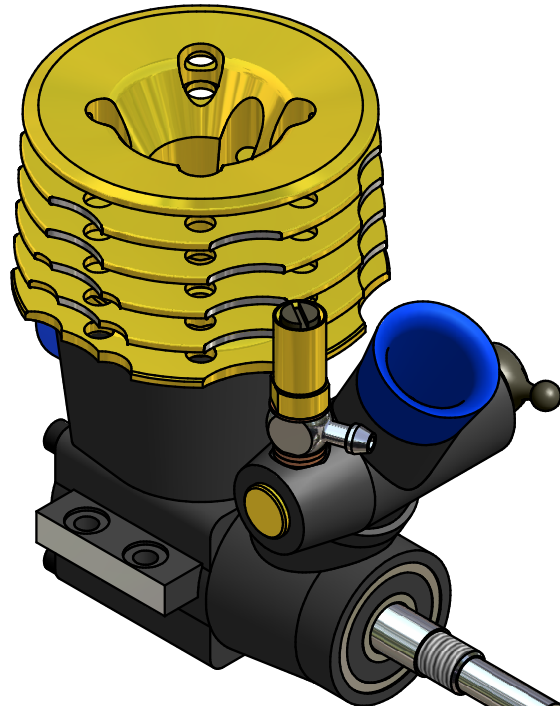
Made in Italy



Step 15.1

- Clutch -
BAG 15

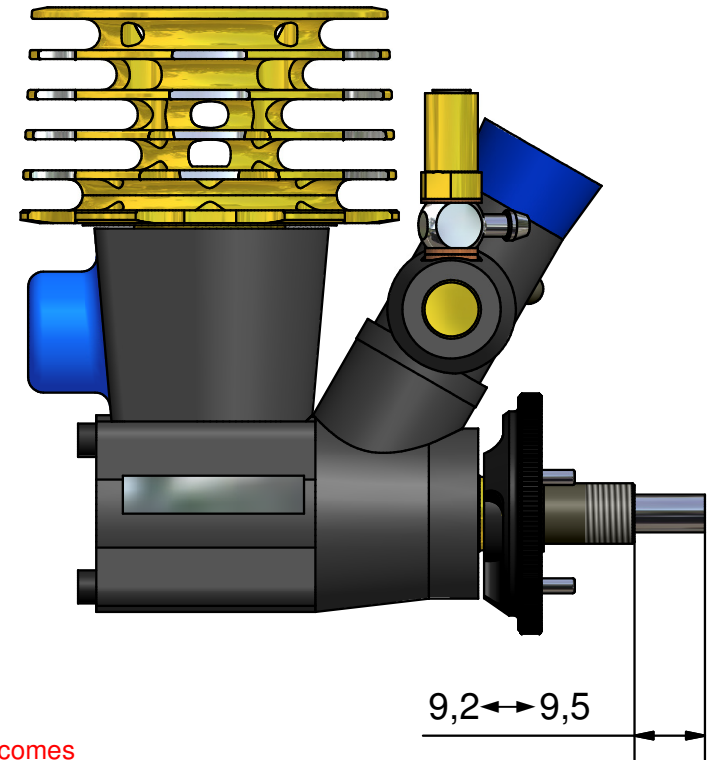
Capricorn RC



Shim for adjusting flywheel distance

Use the cone that comes
with your engine

Note:
Hard Tighten the clutch
nut with 10mm Hex Tool



9,2 ↔ 9,5

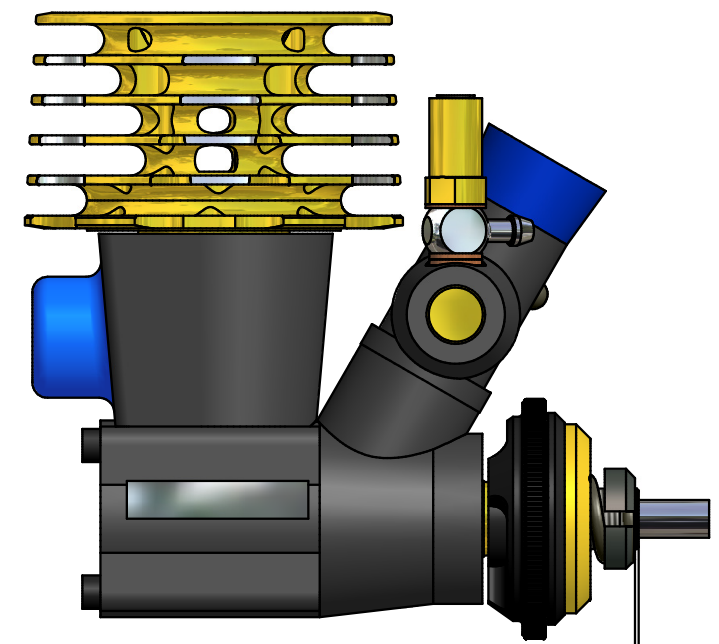
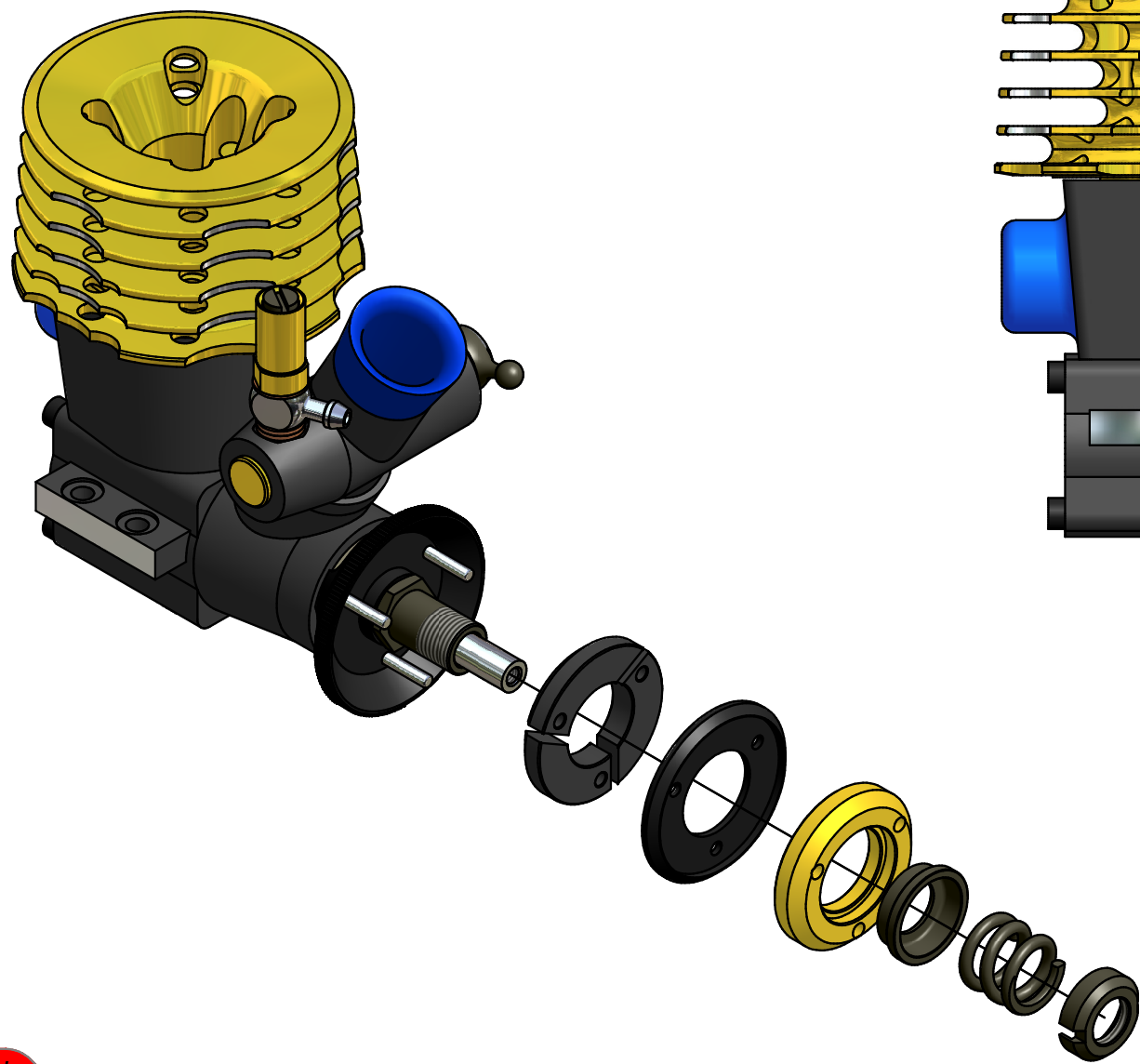
Made in Italy



Step 15.2

- Clutch -
BAG 15

Capricorn RC

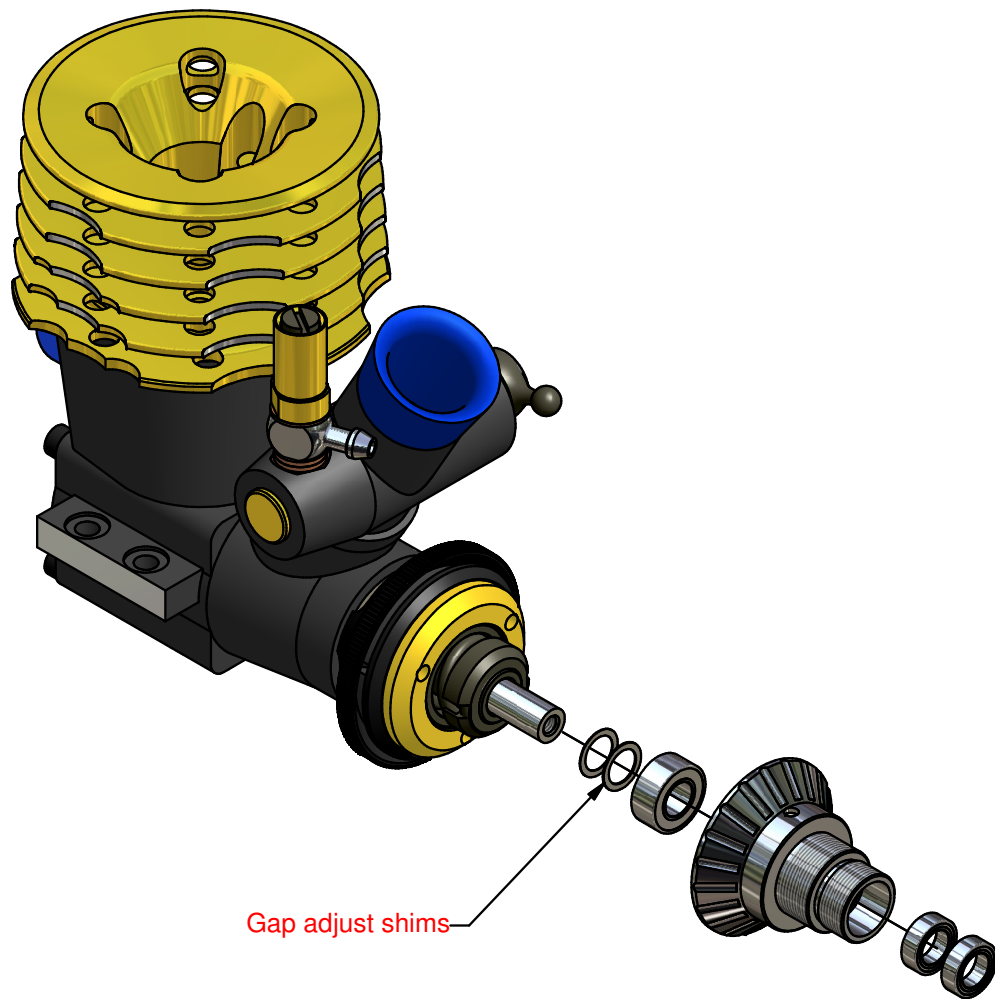


0,5 ↔ 0,7 Spring preload

Step 15.3

- Clutch -
BAG 15

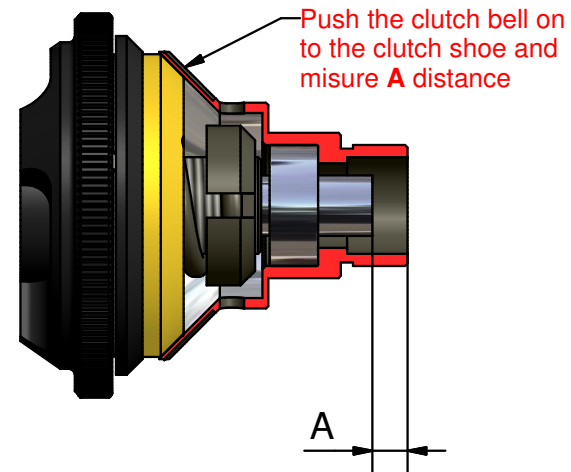
Capricorn RC



Adjusting the clutch bell gap

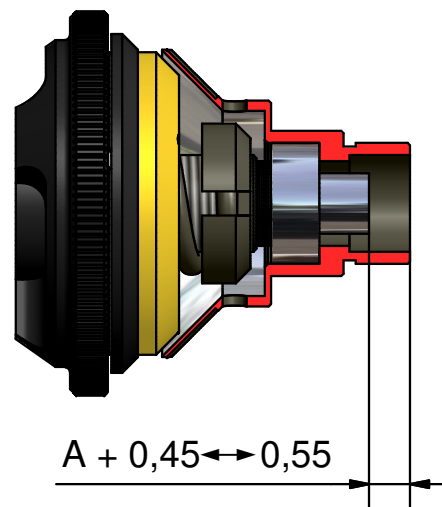
Gap = 0

Note:
Do not install
internal shims



Gap = 0,5

Note:
install internal
shims appropriately



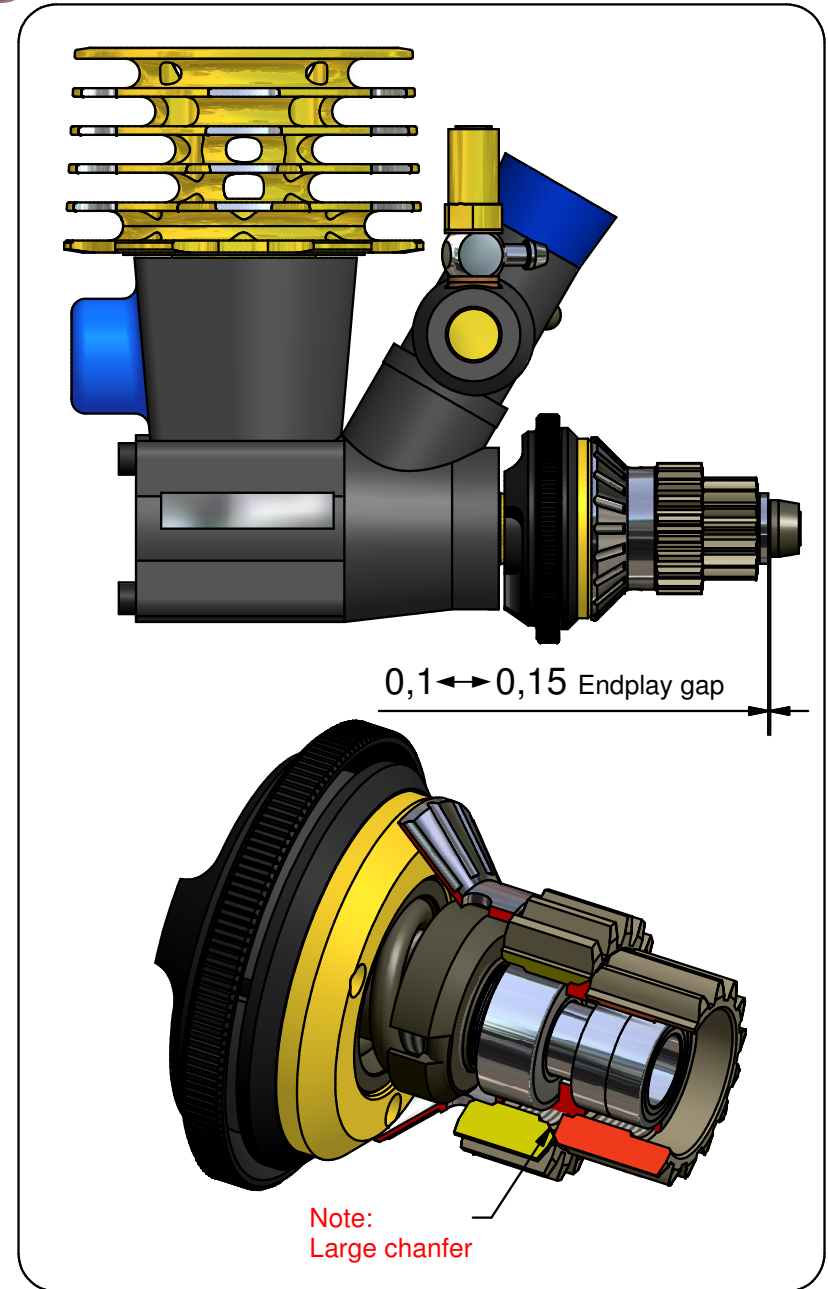
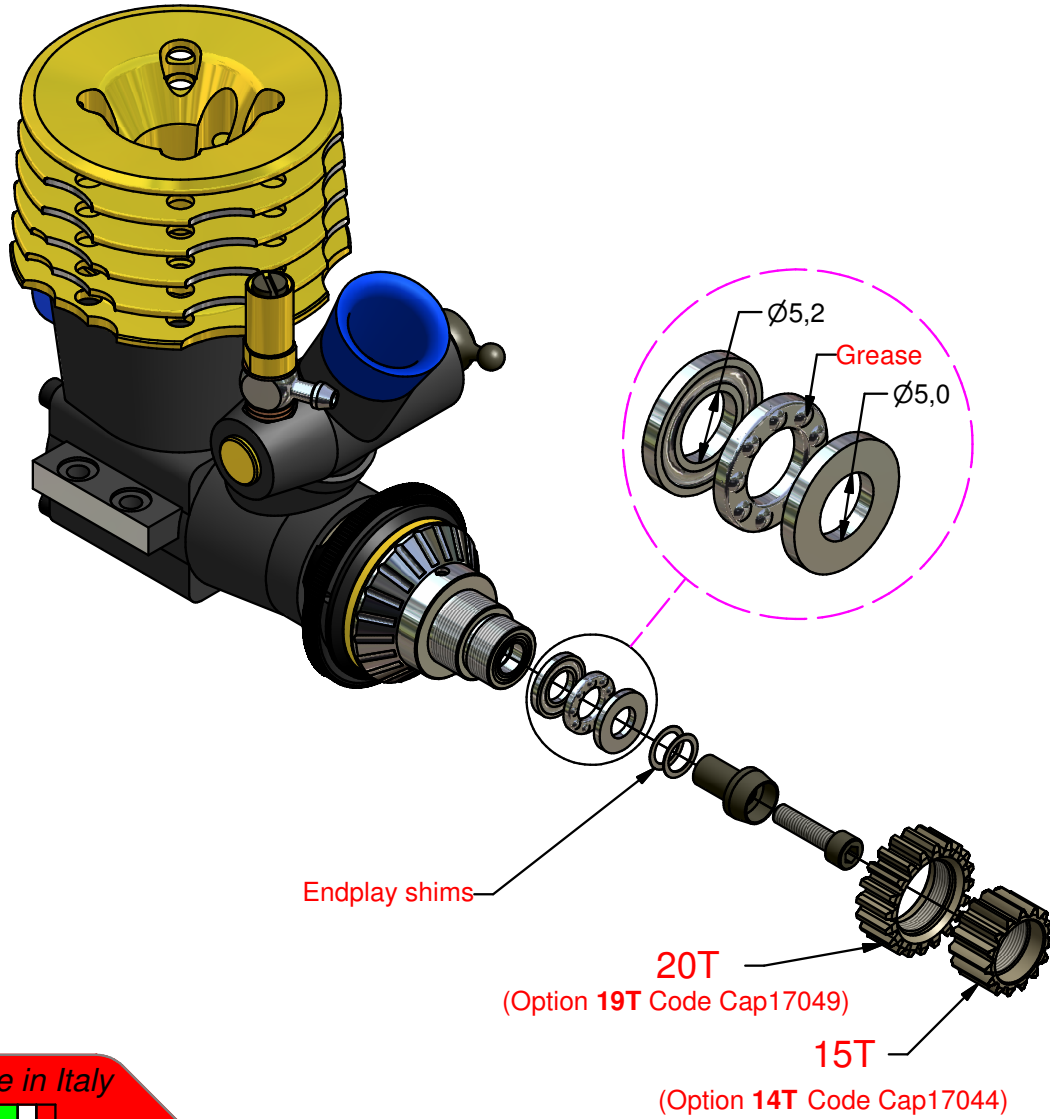
Made in Italy



Step 15.4

- Clutch -
BAG 15

Capricorn RC



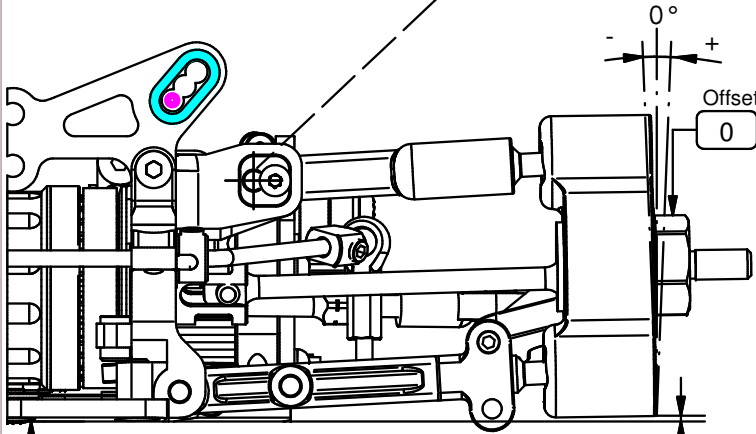
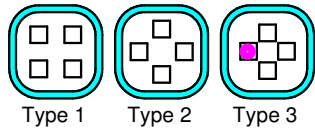
Made in Italy



C04 Default Set-Up Sheet

Capricorn RC

Front



4,5 Ride Height (TyreØ) 60

DownStop 1,0

GROUND

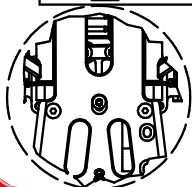
AERODYNAMIC



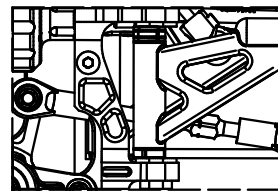
BODY TYPE	
BODY POSITION	10,0
WING TYPE	
WING POSITION	

CAMBER		TOE-OUT		WIDHT	
LEFT	2°	-1,5°		198	
RIGHT	2°	WHEELBASE SHIM		Front <input type="checkbox"/> Rear <input checked="" type="checkbox"/>	

ACKERMANN INSERTS				GEAR DIFF. OIL					
9	<input type="checkbox"/>	10	<input type="checkbox"/>	11	<input checked="" type="checkbox"/>	12	<input type="checkbox"/>	300.000	



Front
Rear



Caster Angle

Upper Arm Spacers

2,0

Made in Italy



FRONT

REAR

LEFT RIGHT TYRES LEFT RIGHT

37	37	BRAND		40	40
60	60	SHORE		62	62
		DIAMETER			

SHOCK ABSORBERS Std Bore Big Bore

600	OIL	600
Red	SPRING	Red
3	PISTON	3
1,1	HOLES Ø	1,1

ANTI-ROLL BARS

Wire	TYPE	Wire
2,3	Ø	2,0
F1 DEPTH		

1 ST SPUR GEAR 2 ND

<input type="checkbox"/>	<input checked="" type="checkbox"/>	<input type="checkbox"/>	<input type="checkbox"/>	<input type="checkbox"/>	<input checked="" type="checkbox"/>	<input type="checkbox"/>
52	53	54	47	48	49	

1 ST PINION 2 ND

<input type="checkbox"/>	<input checked="" type="checkbox"/>	<input type="checkbox"/>	<input checked="" type="checkbox"/>
14	15	19	20

DRIVE TRAIN - REAR CVD - BRIDGE

MIDDLE AXLE PULLEY	<input checked="" type="checkbox"/>	<input type="checkbox"/>	<input type="checkbox"/>	<input checked="" type="checkbox"/>
	25	26	CVD BR.	

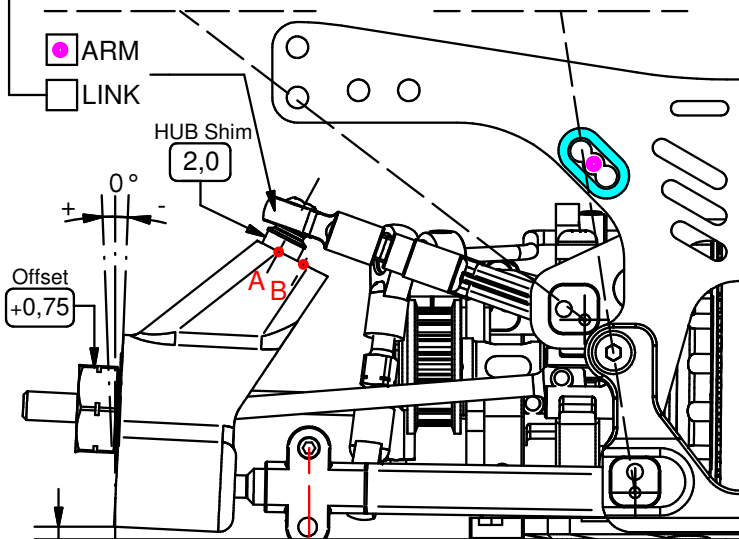
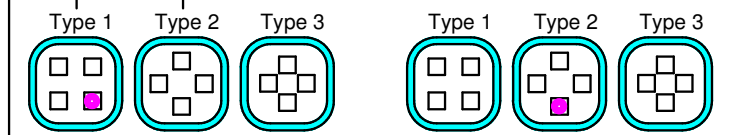
POWER PACK

BRAND/TYPE	MANIFOLD	
PLUG 6	FUEL/NITRO % 16	
CLUTCH BELL GAP 0,5	END PLAY 0,15	
CLUTCH SPRING STD	SPRING PRELOAD 0,5	

SET-UP SHEET

NAME	
DATE	
TEMP	
TRACK	
TRACTION	
RESULT	BEST LAP

Rear



4,0 DownStop

Option Plate

5,0 Ride Height (TyreØ) 62

GROUND

CAMBER		TOE-IN		WIDHT	
LEFT	3,5°	2,5°		199	
RIGHT	3,5°	ARM POSITION		<input checked="" type="checkbox"/> A <input type="checkbox"/> B	

REAR GEAR DIFF. TYPE		GEAR DIFF. OIL			
ALU CASE	<input type="checkbox"/>	METAL GEAR	<input checked="" type="checkbox"/>	80.000	

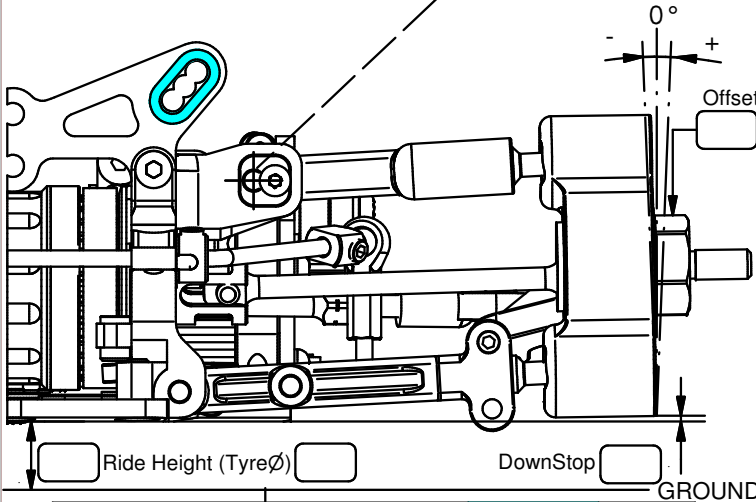
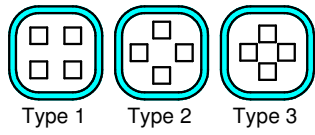
WEIGHTS		
0	60	0 gr.

Additional notes

C04 Blank Set-Up Sheet

Capricorn RC

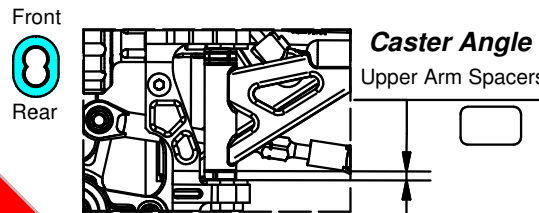
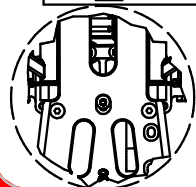
Front



<p>AERODYNAMIC</p>	BODY TYPE	
	BODY POSITION	
	WING TYPE	
	WING POSITION	

CAMBER	TOE-OUT	WIDHT
LEFT		
RIGHT	WHEELBASE SHIM	Front <input type="checkbox"/> Rear <input type="checkbox"/>

ACKERMANN INSERTS	GEAR DIFF. OIL
9 <input type="checkbox"/> 10 <input type="checkbox"/> 11 <input type="checkbox"/> 12 <input type="checkbox"/>	



Made in Italy



FRONT

REAR

LEFT RIGHT TYRES LEFT RIGHT

BRAND			
SHORE			
DIAMETER			

SHOCK ABSORBERS Std Bore Big Bore

OIL	
SPRING	
PISTON	
HOLES Ø	

ANTI-ROLL BARS

TYPE	
Ø	
F1 DEPTH	

1 ST SPUR GEAR 2 ND

<input type="checkbox"/>	<input type="checkbox"/>	<input type="checkbox"/>	<input type="checkbox"/>	<input type="checkbox"/>	<input type="checkbox"/>
52	53	54	47	48	49

1 ST PINION 2 ND

<input type="checkbox"/>	<input type="checkbox"/>	<input type="checkbox"/>	<input type="checkbox"/>
14	15	19	20

DRIVE TRAIN - REAR CVD - BRIDGE

MIDDLE AXLE PULLEY	<input type="checkbox"/>	<input type="checkbox"/>	<input type="checkbox"/>	<input type="checkbox"/>
	25	26	CVD	BR.

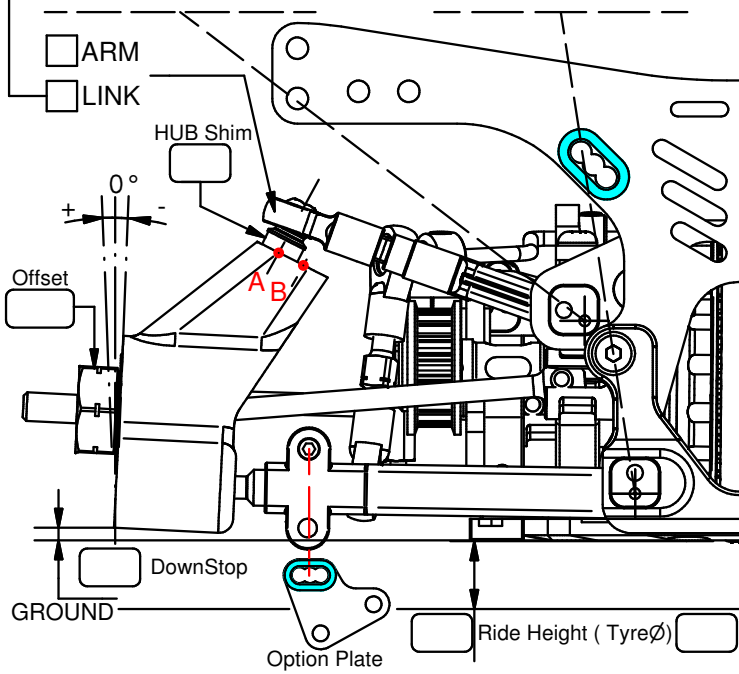
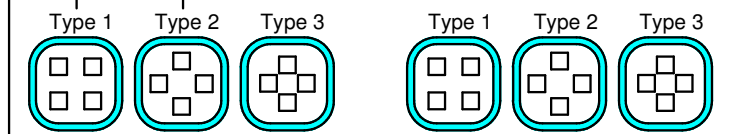
POWER PACK

BRAND/TYPE	MANIFOLD
PLUG	FUEL/NITRO %
CLUTCH BELL GAP	END PLAY
CLUTCH SPRING	SPRING PRELOAD

SET-UP SHEET

NAME	
DATE	
TEMP	
TRACK	
TRACTION	
RESULT	BEST LAP

Rear



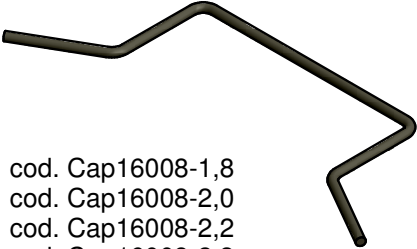
CAMBER	TOE-IN	WIDHT
LEFT		
RIGHT	ARM POSITION	<input type="checkbox"/> A <input type="checkbox"/> B

REAR GEAR DIFF. TYPE	GEAR DIFF. OIL
ALU CASE <input type="checkbox"/> METAL GEAR <input type="checkbox"/>	

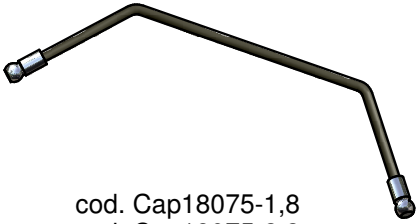
WEIGHTS	
0 60	<input type="checkbox"/> gr.

Additional notes


- OPTION PARTS - *Capricorn RC*



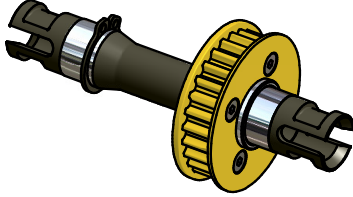
cod. Cap16008-1,8
cod. Cap16008-2,0
cod. Cap16008-2,2
cod. Cap16008-2,3
cod. Cap16008-2,4



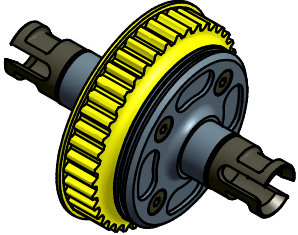
cod. Cap18075-1,8
cod. Cap18075-2,2
cod. Cap18075-2,3
cod. Cap18075-2,4



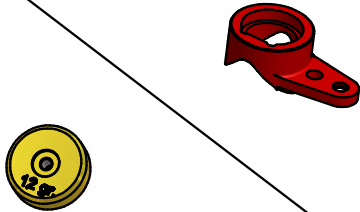
cod. Cap18012-K Kit
Inserts:
cod. Cap18014-0,8
cod. Cap18014-0,9
cod. Cap18014-1,0
cod. Cap18014-1,1



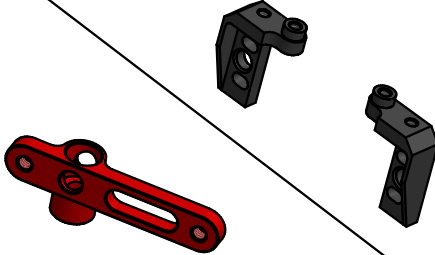
cod. Cap17057-K



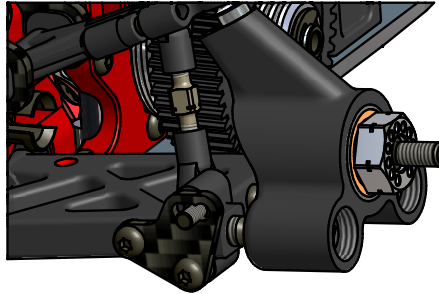
cod. Cap18097-K



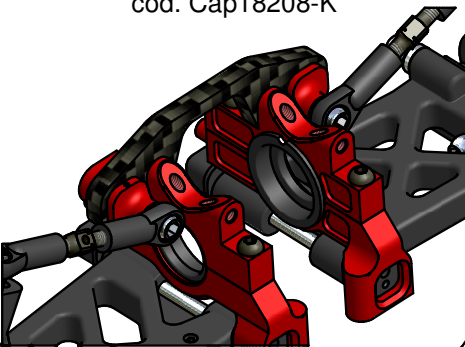
cod. Cap18027
cod. Cap18141



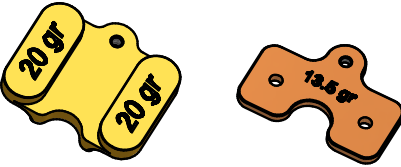
cod. Cap18072-K
cod. Cap18133-K



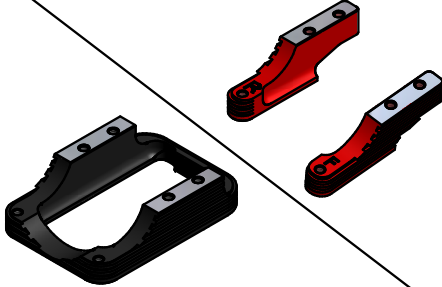
cod. Cap18224



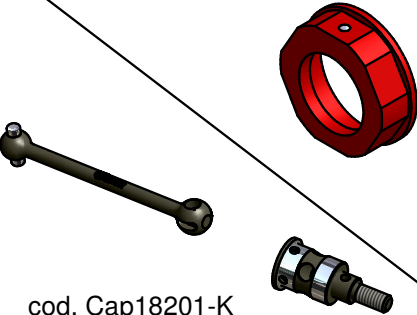
cod. Cap18208-K



Brass
20,0gr Code Cap18221
Special alloy
13,5gr Code Cap18162-13,5
27,0gr Code Cap18162-27



cod. Cap18065-K
cod. Cap18064-XH

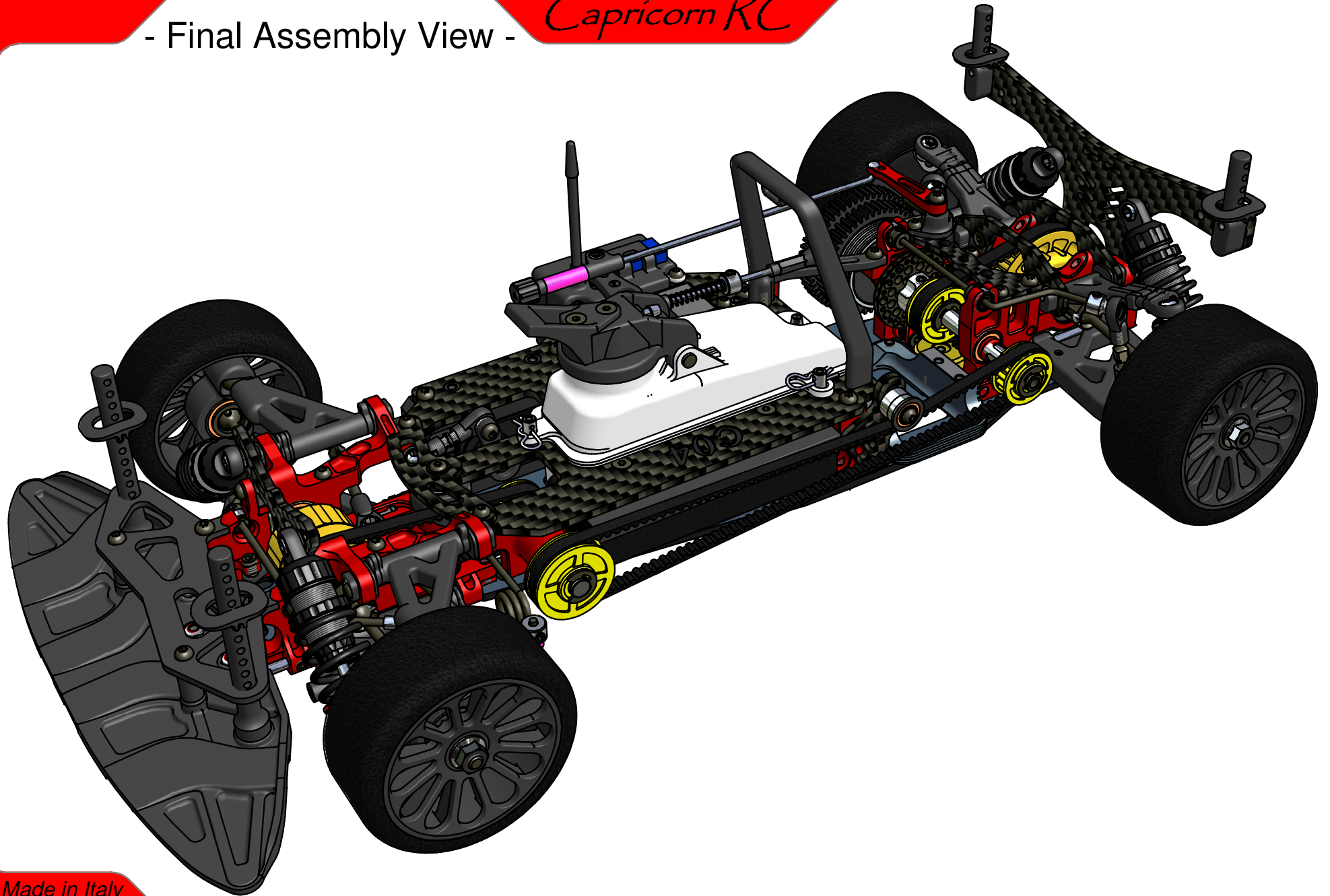


cod. Cap16059M
cod. Cap18201-K

Made in Italy

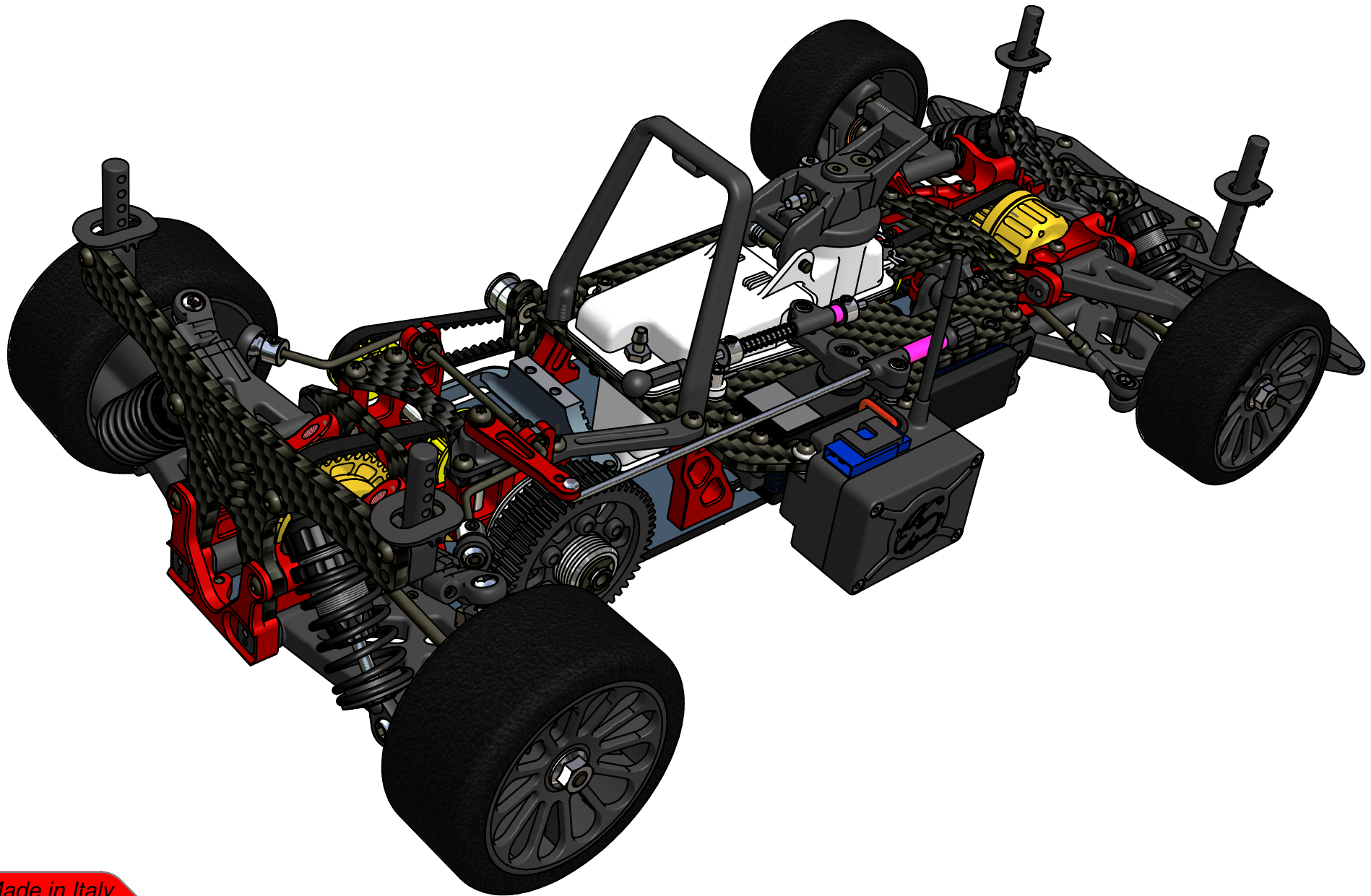


- Final Assembly View - *Capricorn RC*



Made in Italy

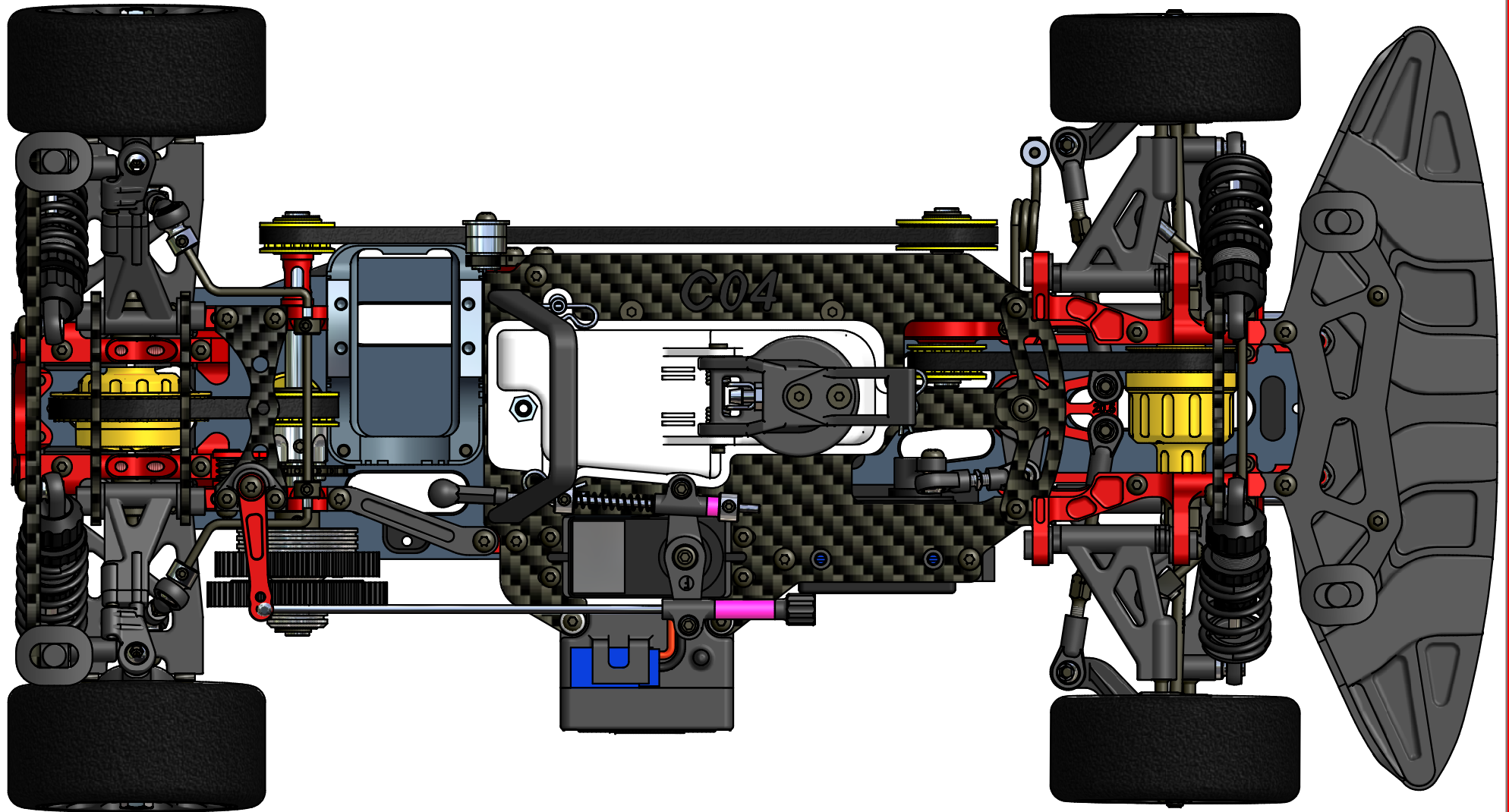

- Final Assembly View - *Capricorn RC*



Made in Italy



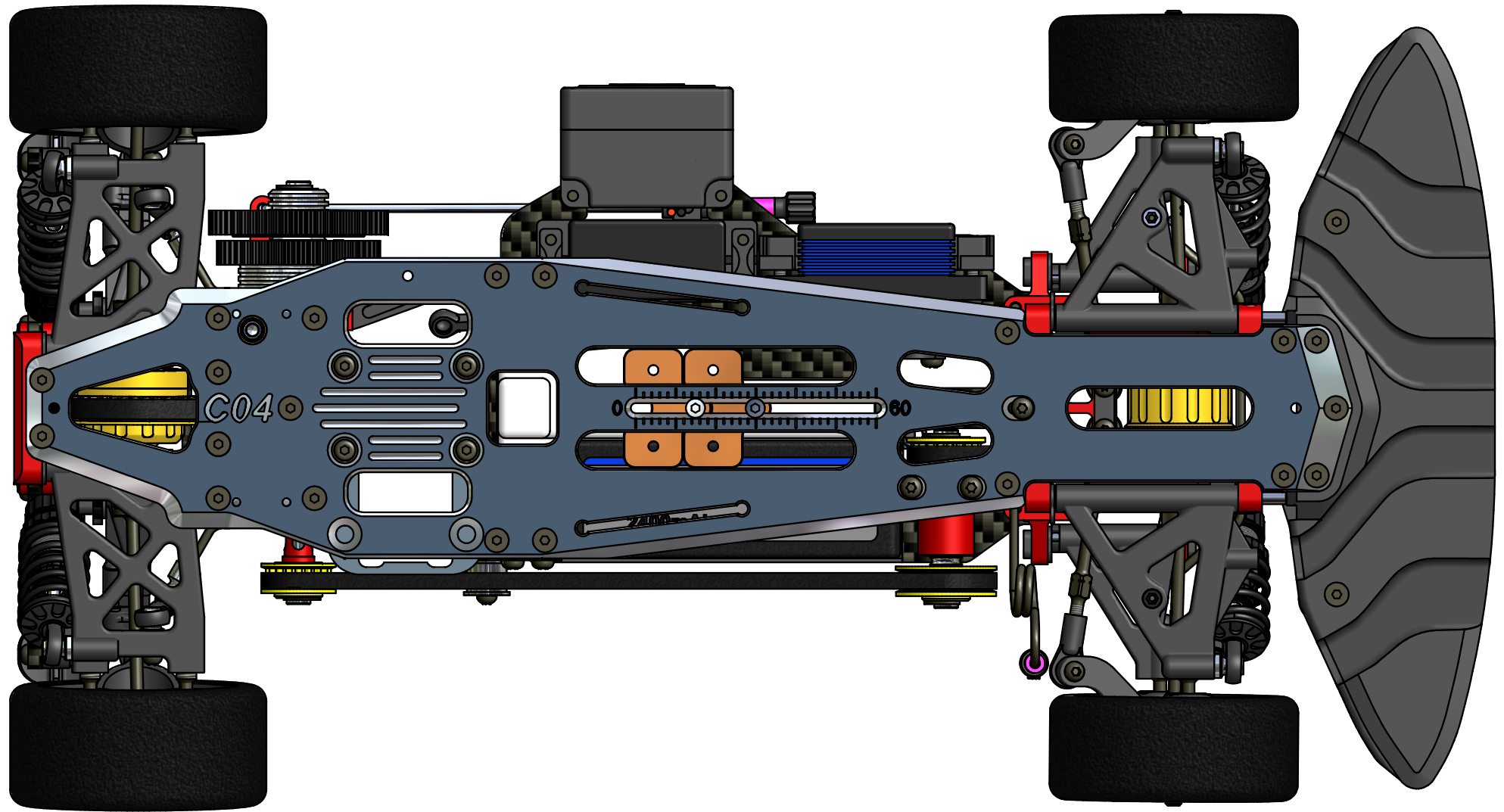
- Final Assembly View - *Capricorn RC*



Made in Italy



- Final Assembly View - *Capricorn RC*



Made in Italy


- Notes -

Capricorn RC

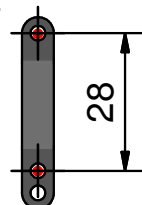
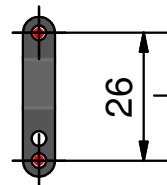
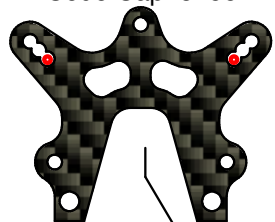
Made in Italy



Step 16.0

- WIDE CONVERSION - *Capricorn RC*

REAR DAMPER
CARBON PLATE
Code Cap18255

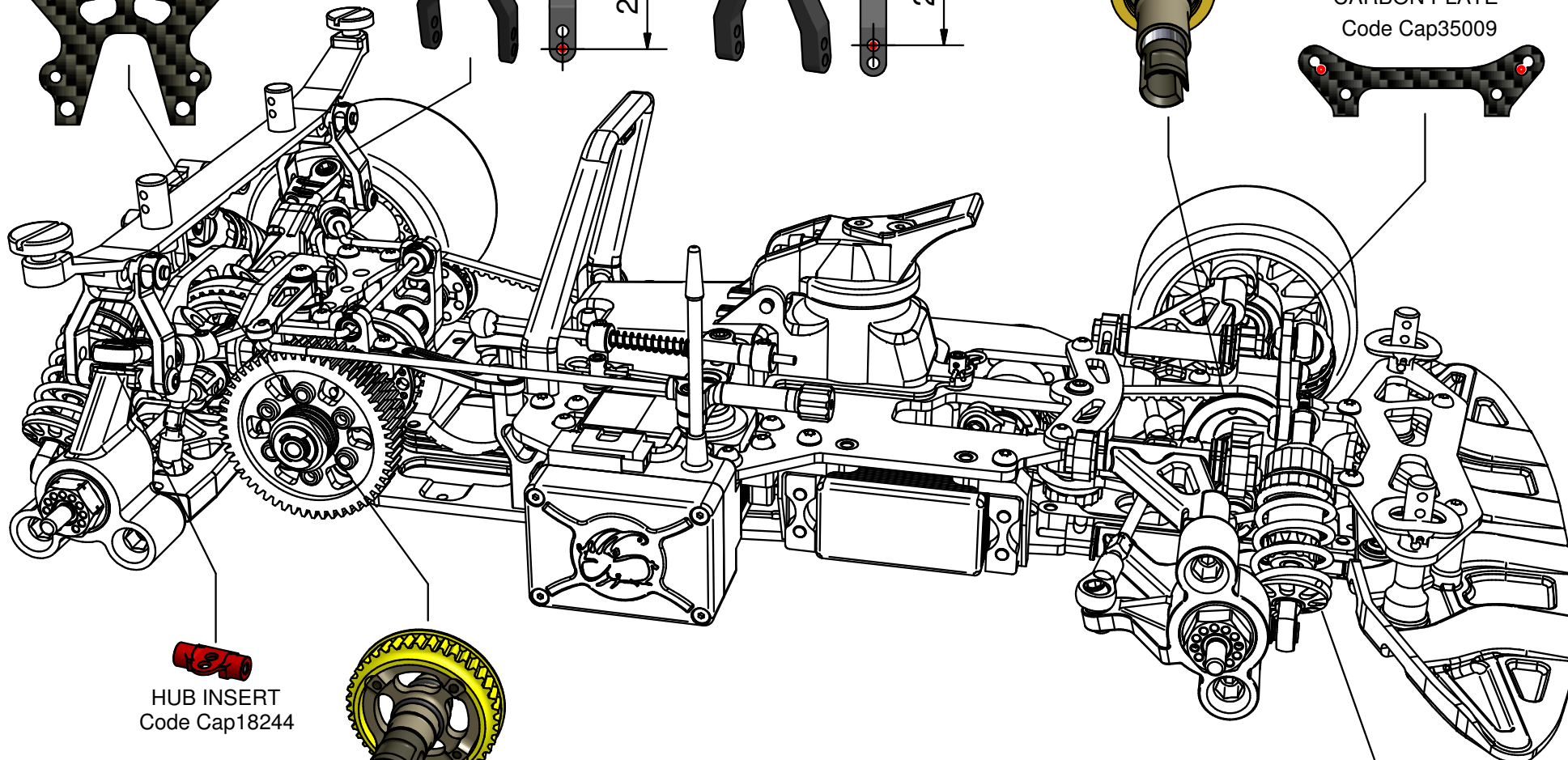


XL

FRONT ONE-WAY AXLE
Cap18256-K



FRONT DAMPER
CARBON PLATE
Code Cap35009



HUB INSERT
Code Cap18244



REAR SOLID AXLE
OPTION
code Cap18243-K

SHORT DAMPER CASE-SHAFT
Code Cap 2491 - Cap 2490



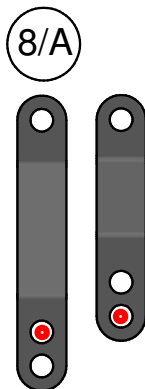
Made in Italy



Step 16.1

Capricorn RC

Parts List		
Rif.	n°	Code
1	1	Cap18250
2	2	Cap 599
3	2	Cap18253
4	2	Cap17030
5	2	Cap18249
6	1	Cap18254
7	2	Cap18024
8	2	Cap18251
8/A	2	Cap18252
9	2	Cap18246
10	2	Cap 2605
11	2	Cap17006
12	4	Cap18245
12/A	4	Cap18248
13	1	Cap18247
14	1	Cap17032
15	1	Cap18224

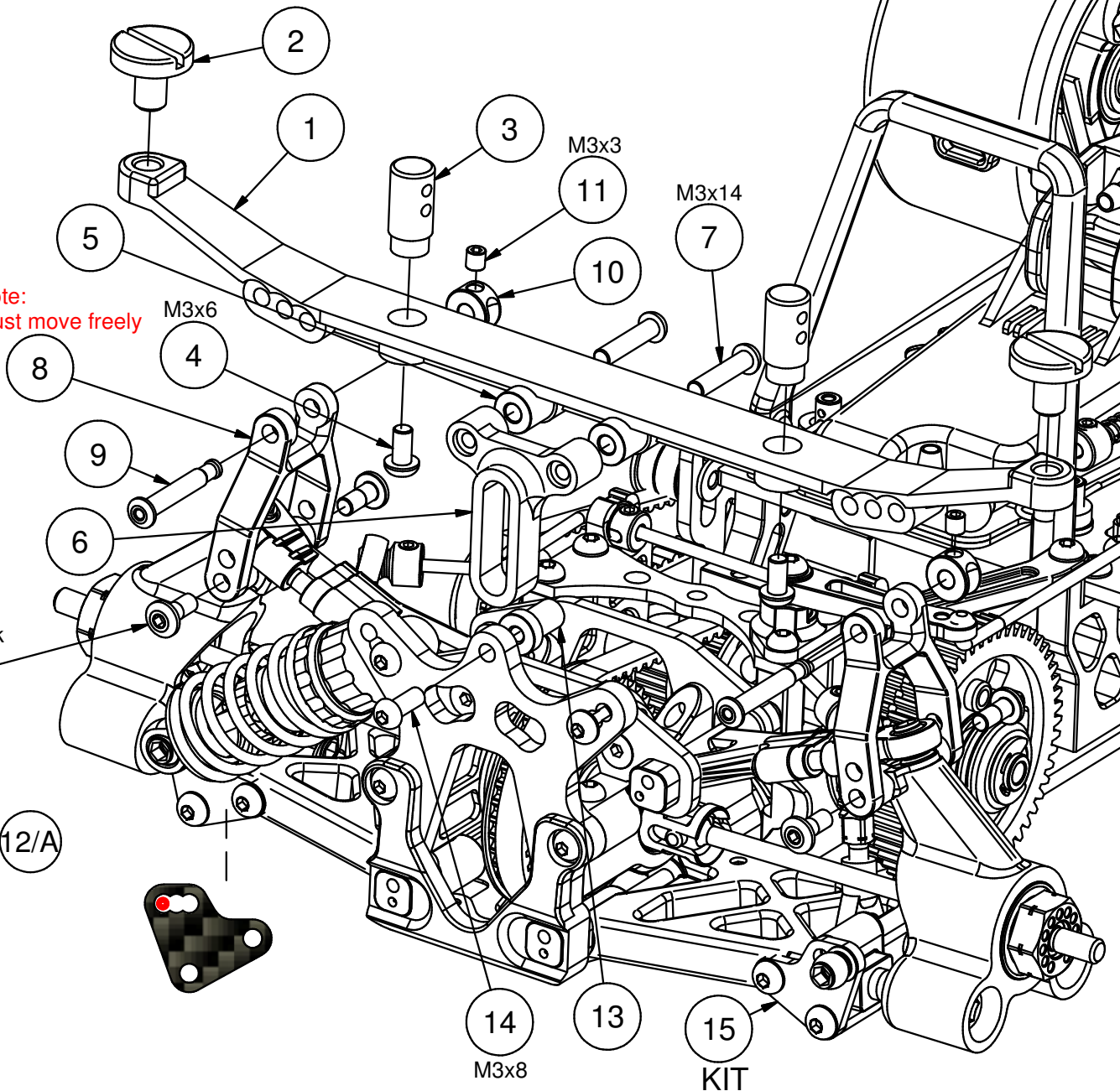


Note:
Must move freely

Thread Lock



12/A



Made in Italy

