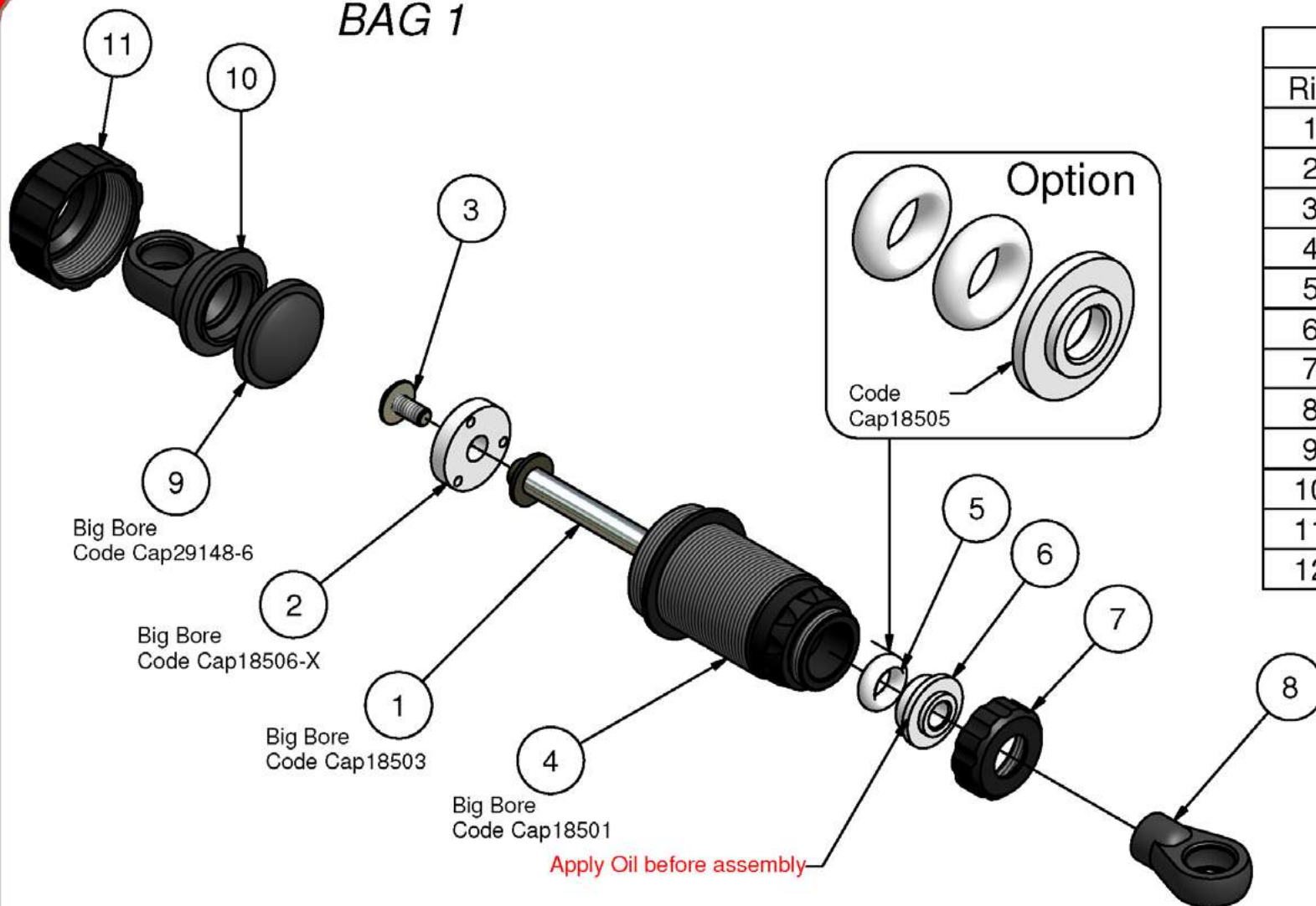


# Step 1.0

## - Shock Damper - BAG 1

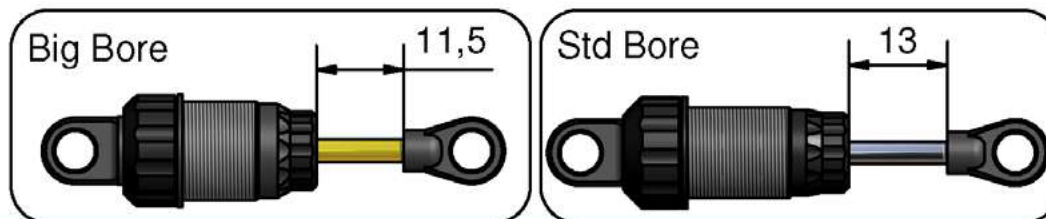
Capricorn RC

4x



| Parts List |    |            |
|------------|----|------------|
| Rif.       | n° | Code       |
| 1          | 1  | Cap18510-L |
| 2          | 1  | Cap18509-X |
| 3          | 1  | Cap18507   |
| 4          | 1  | Cap18508   |
| 5          | 1  | Cap18512   |
| 6          | 1  | Cap18504   |
| 7          | 1  | Cap18502   |
| 8          | 1  | Cap14042KS |
| 9          | 1  | Cap14033-6 |
| 10         | 1  | Cap14036   |
| 11         | 1  | Cap16085-B |
| 12         | 1  | Cap14030   |

Silicon Oil #600



Made in Italy



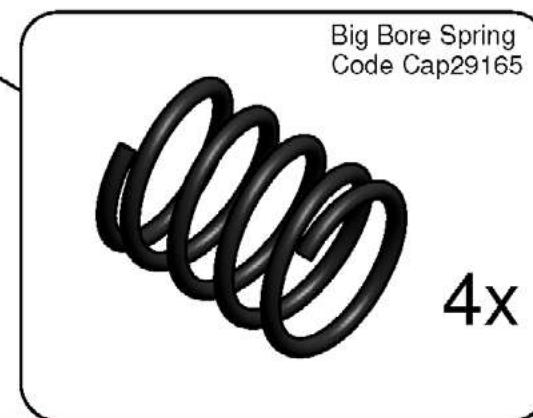
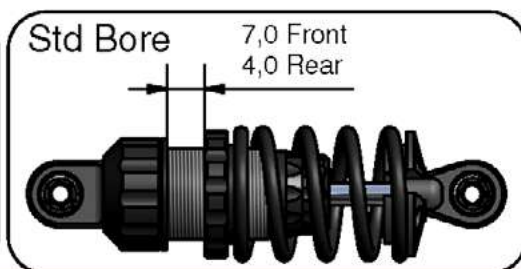
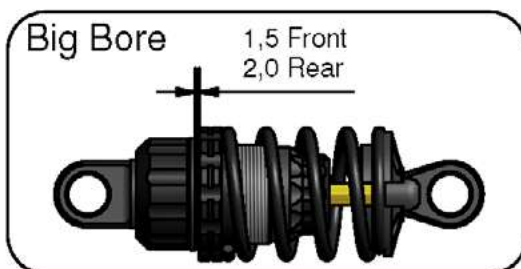
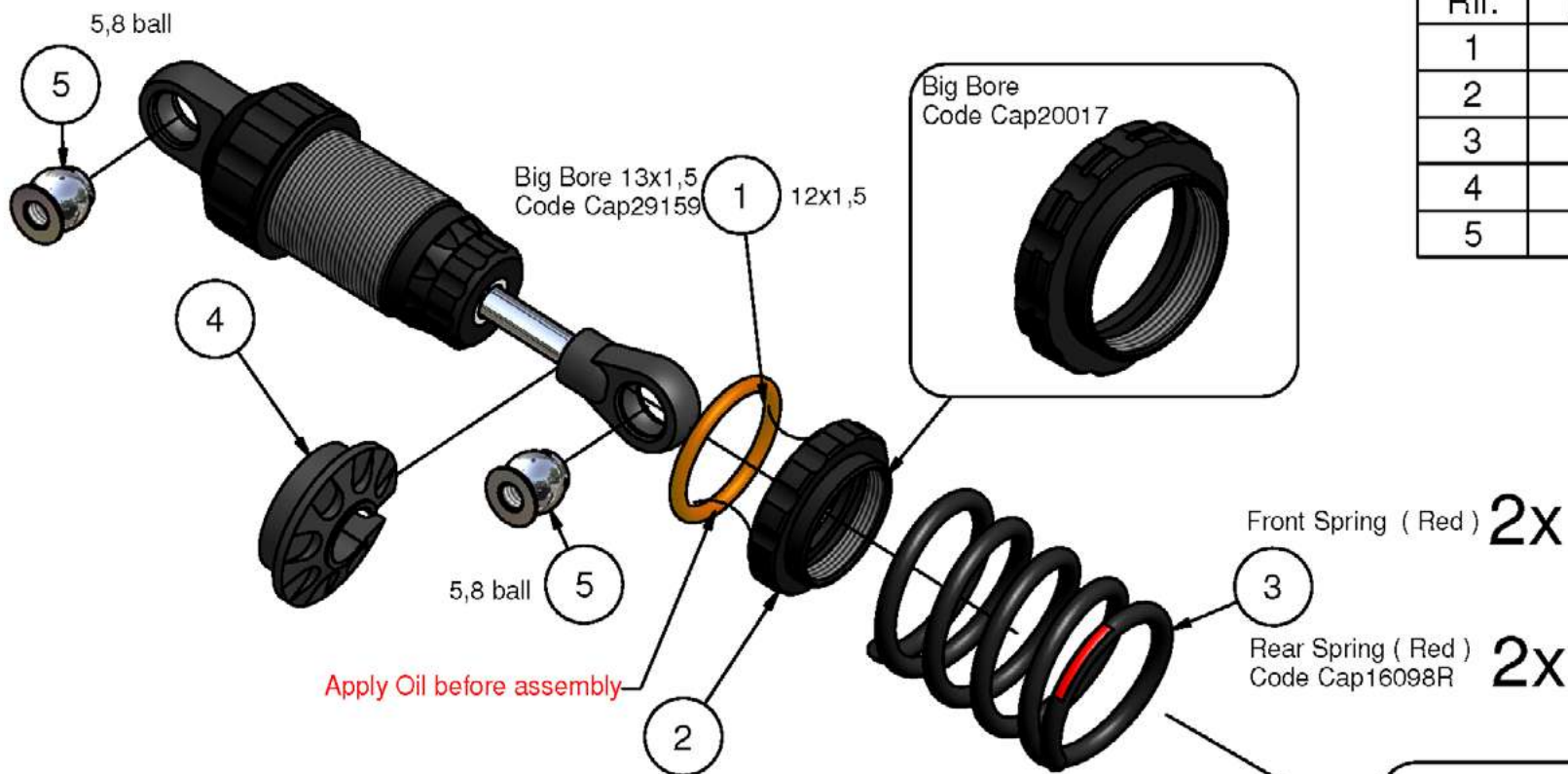
# Step 1.1

## - Shock Damper - BAG 1

Capricorn RC

4x

| Parts List |    |           |
|------------|----|-----------|
| Rif.       | n° | Code      |
| 1          | 1  | Cap171215 |
| 2          | 1  | Cap16027  |
| 3          | 1  | Cap16098F |
| 4          | 1  | Cap14030  |
| 5          | 2  | Cap18169  |



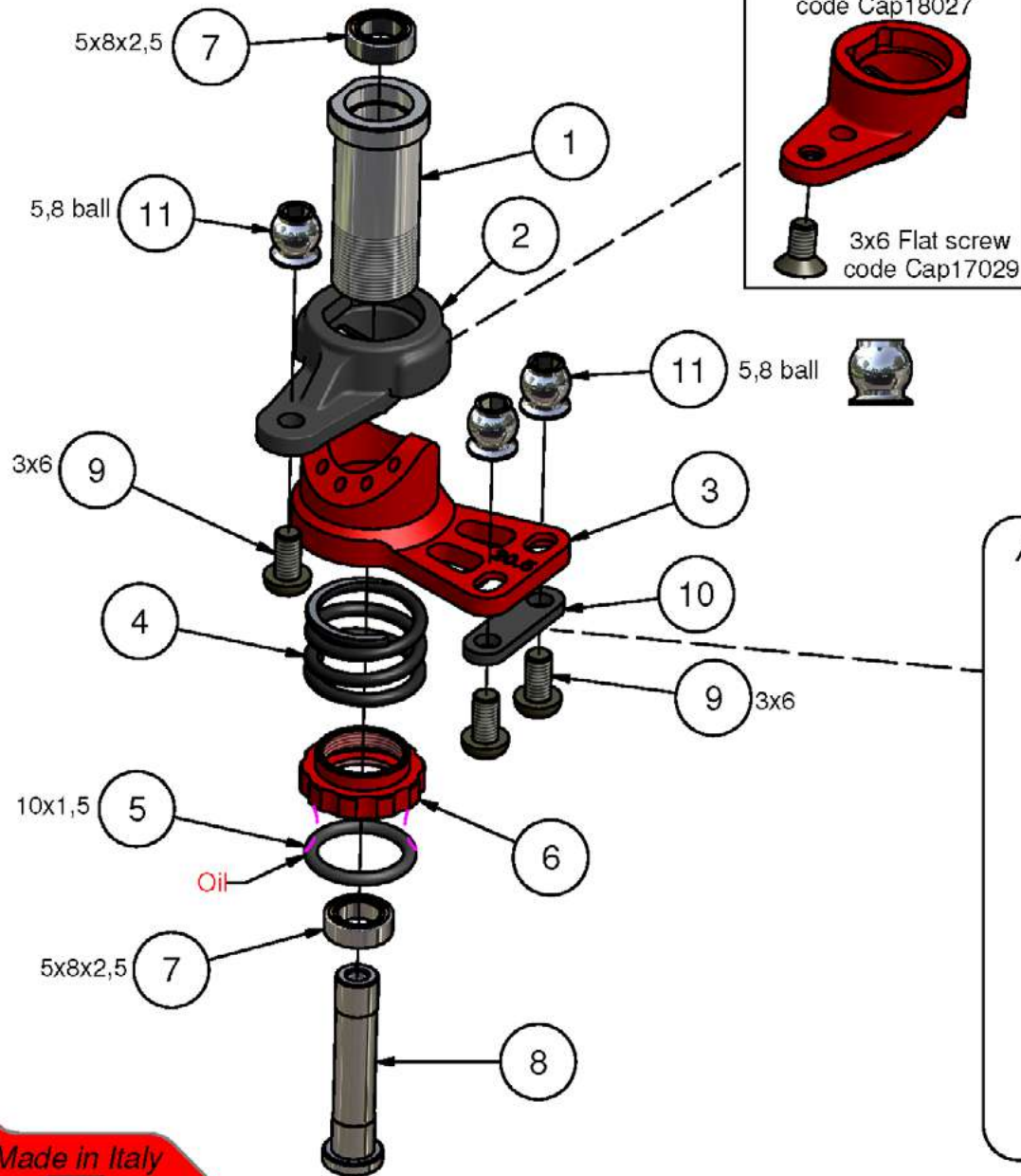
Made in Italy



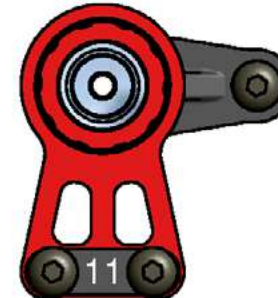
# Step 2.0

## - Servo Saver - BAG 2

Capricorn RC



### Ackermann Inserts



Initial Setting

### Parts List

| Rif. | n° | Code      |
|------|----|-----------|
| 1    | 1  | Cap16014  |
| 2    | 1  | Cap18093  |
| 3    | 1  | Cap18205  |
| 4    | 1  | Cap16033  |
| 5    | 1  | Cap171015 |
| 6    | 1  | Cap16028  |
| 7    | 2  | Cap16019  |
| 8    | 1  | Cap16055  |
| 9    | 3  | Cap17030  |
| 10   | 1  | Cap15005P |
| 11   | 3  | Cap18169  |

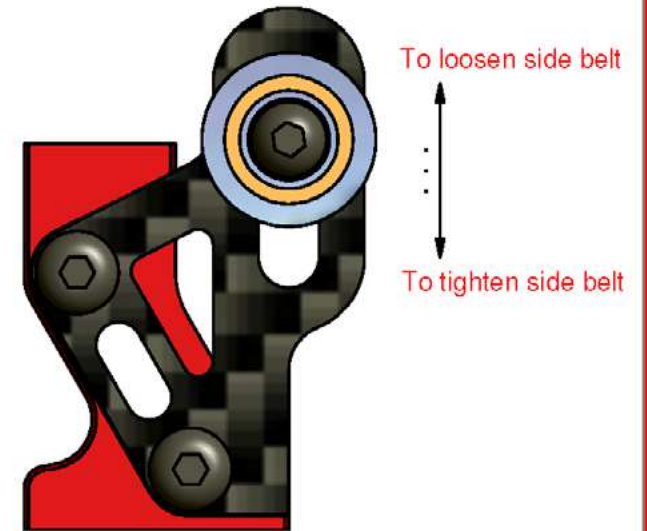
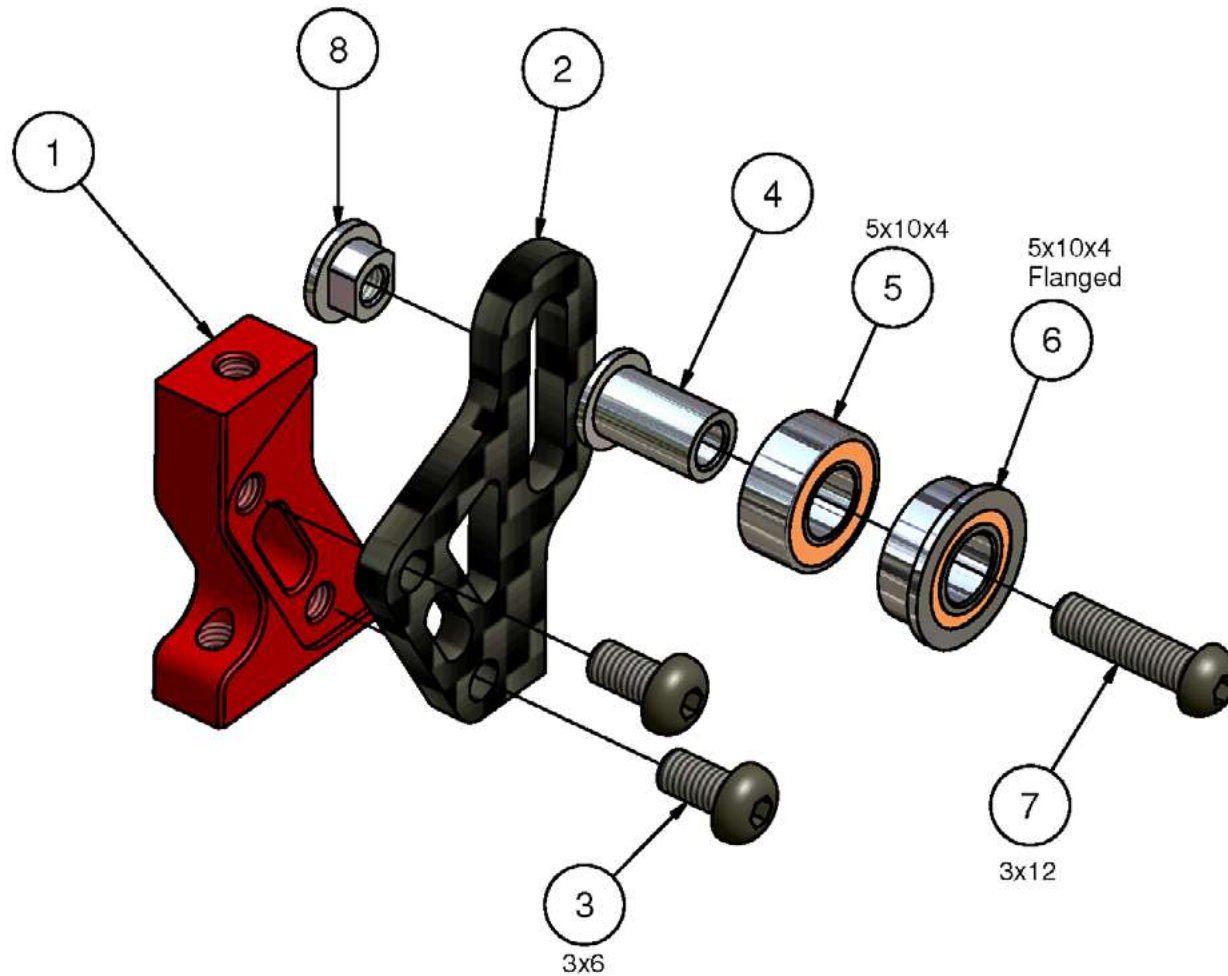
Made in Italy



### Step 3.0

## - Belt Tensioner Set - BAG 3

Capricorn RC



| Parts List |    |          |
|------------|----|----------|
| Rif.       | n° | Code     |
| 1          | 1  | Cap18195 |
| 2          | 1  | Cap18196 |
| 3          | 2  | Cap17030 |
| 4          | 1  | Cap16012 |
| 5          | 1  | Cap 415  |
| 6          | 1  | Cap16018 |
| 7          | 1  | Cap17026 |
| 8          | 1  | Cap15010 |

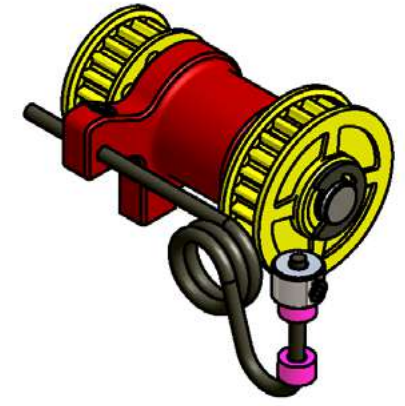
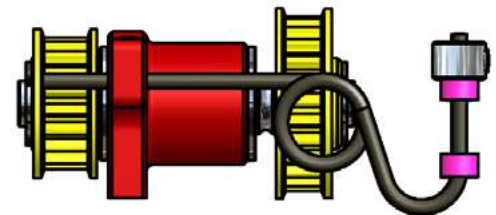
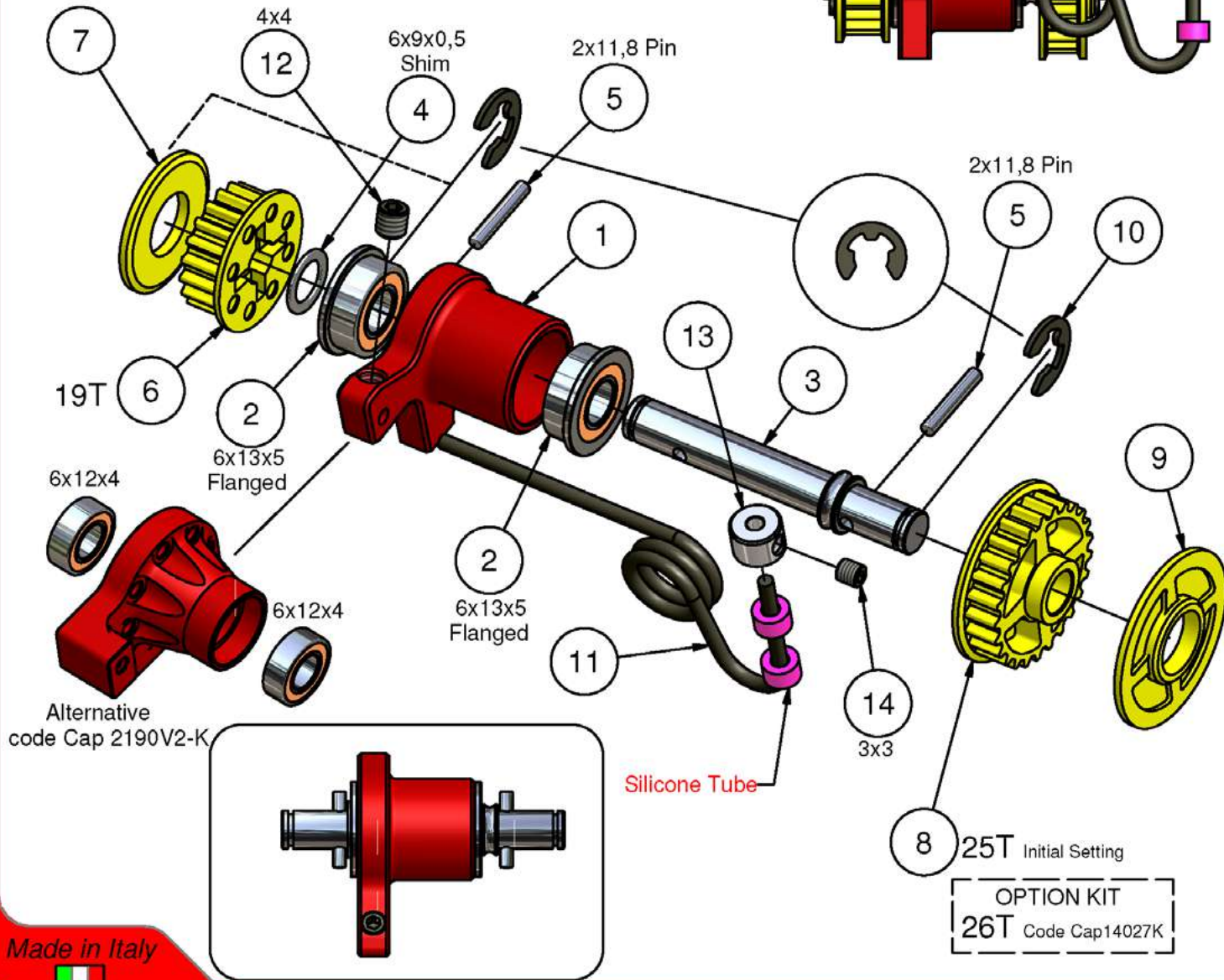
Made in Italy



# Step 4.0

## - Middle Shaft Holder - BAG 4

Capricorn RC



| Parts List |    |           |
|------------|----|-----------|
| Rif.       | n° | Code      |
| 1          | 1  | Cap18189  |
| 2          | 2  | Cap18206  |
| 3          | 1  | Cap18071  |
| 4          | 1  | Cap18080  |
| 5          | 2  | Cap17016  |
| 6          | 1  | Cap14024K |
| 7          | 1  | Cap14024K |
| 8          | 1  | Cap14026K |
| 9          | 1  | Cap14026K |
| 10         | 2  | Cap17002  |
| 11         | 1  | Cap 506XL |
| 12         | 1  | Cap17010  |
| 13         | 1  | Cap16015  |
| 14         | 1  | Cap17006  |

OPTION KIT  
26T Code Cap14027K

Made in Italy

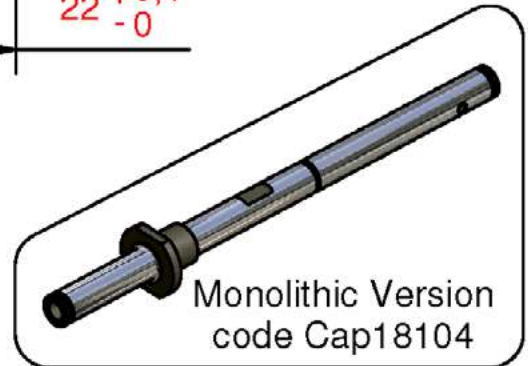
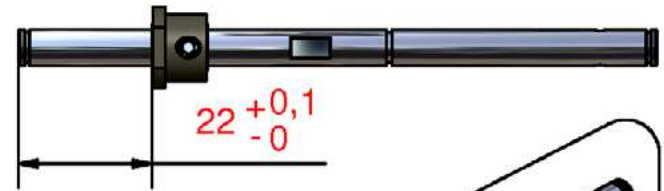
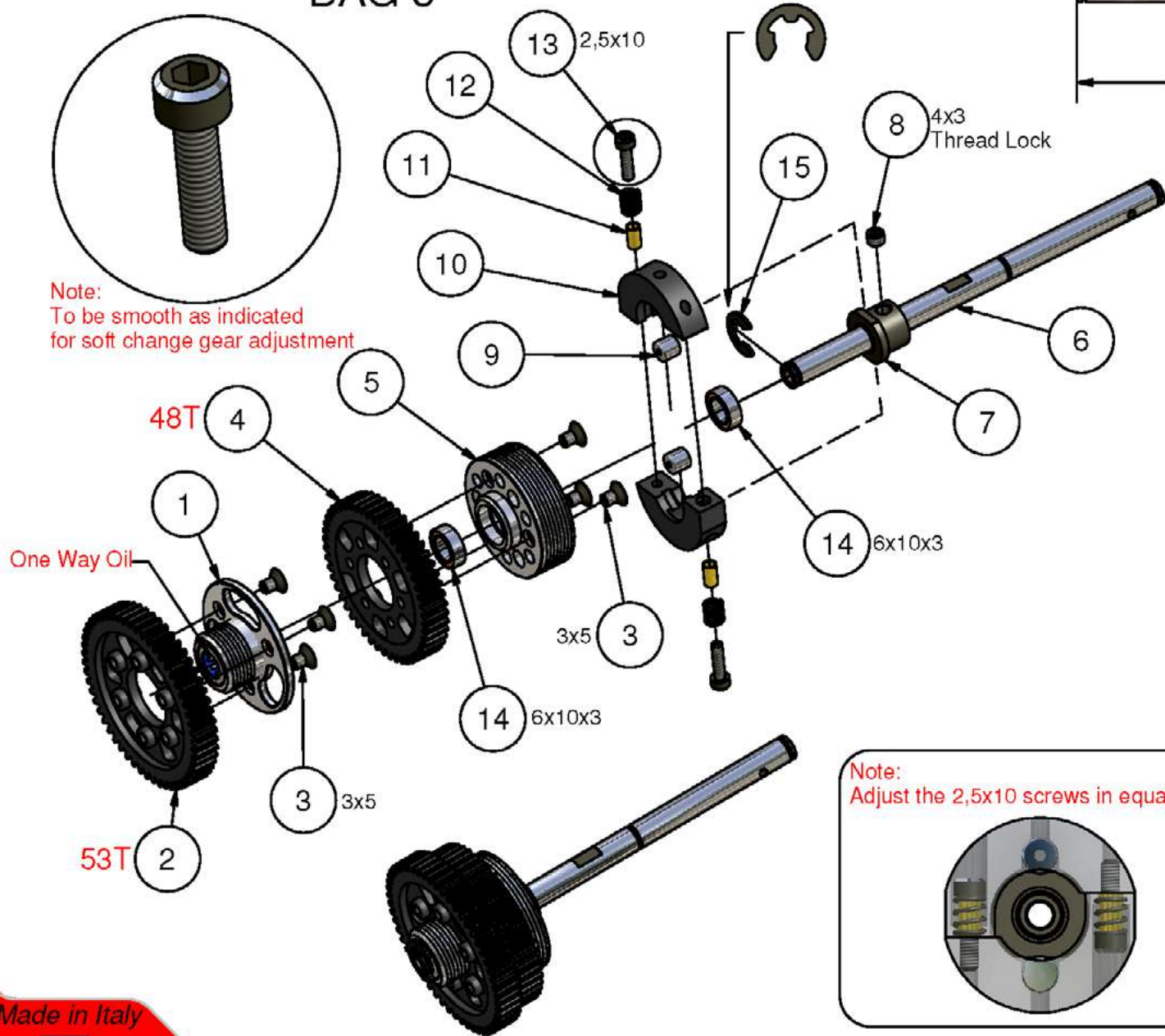
# Step 5.0

## - 2 Speed gear - BAG 5

## Capricorn RC



Note:  
To be smooth as indicated  
for soft change gear adjustment



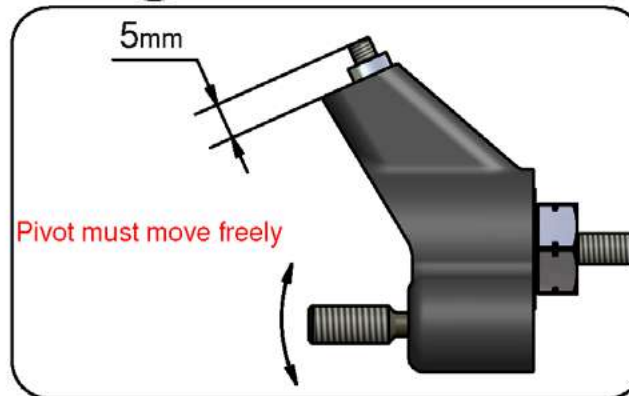
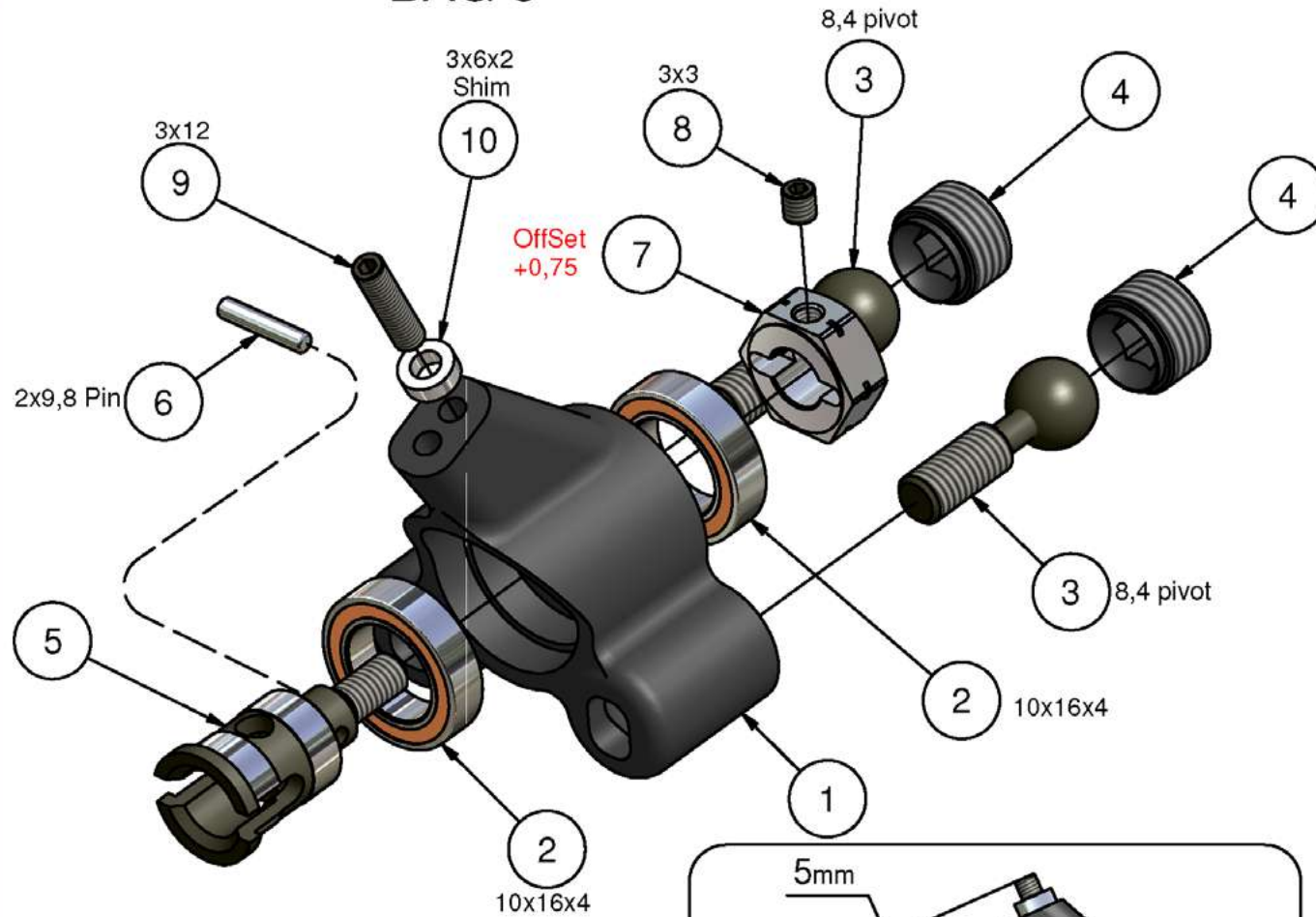
| Parts List |    |          |
|------------|----|----------|
| Rif.       | n° | Code     |
| 1          | 1  | Cap18118 |
| 2          | 1  | Cap14017 |
| 3          | 6  | Cap17038 |
| 4          | 1  | Cap14020 |
| 5          | 1  | Cap18110 |
| 6          | 1  | Cap16001 |
| 7          | 1  | Cap16074 |
| 8          | 1  | Cap17009 |
| 9          | 2  | Cap16062 |
| 10         | 2  | Cap14032 |
| 11         | 2  | Cap16011 |
| 12         | 2  | Cap16031 |
| 13         | 2  | Cap17021 |
| 14         | 2  | Cap16079 |
| 15         | 1  | Cap17002 |



# Step 6.0

## - Rear Hub - BAG 6

Capricorn RC



# 2x L/R

### Parts List

| Rif. | n° | Code      |
|------|----|-----------|
| 1    | 1  | Cap14004B |
| 2    | 2  | Cap16017  |
| 3    | 2  | Cap16004S |
| 4    | 2  | Cap16026S |
| 5    | 1  | Cap16097  |
| 6    | 1  | Cap17015  |
| 7    | 1  | Cap 255+  |
| 8    | 1  | Cap17006  |
| 9    | 1  | Cap17005  |
| 10   | 1  | Cap22015  |

Made in Italy

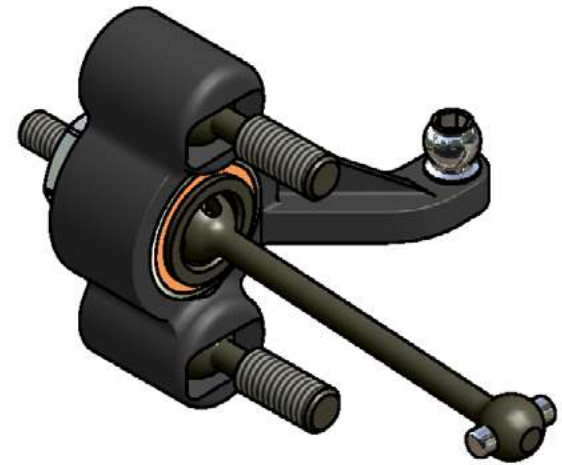
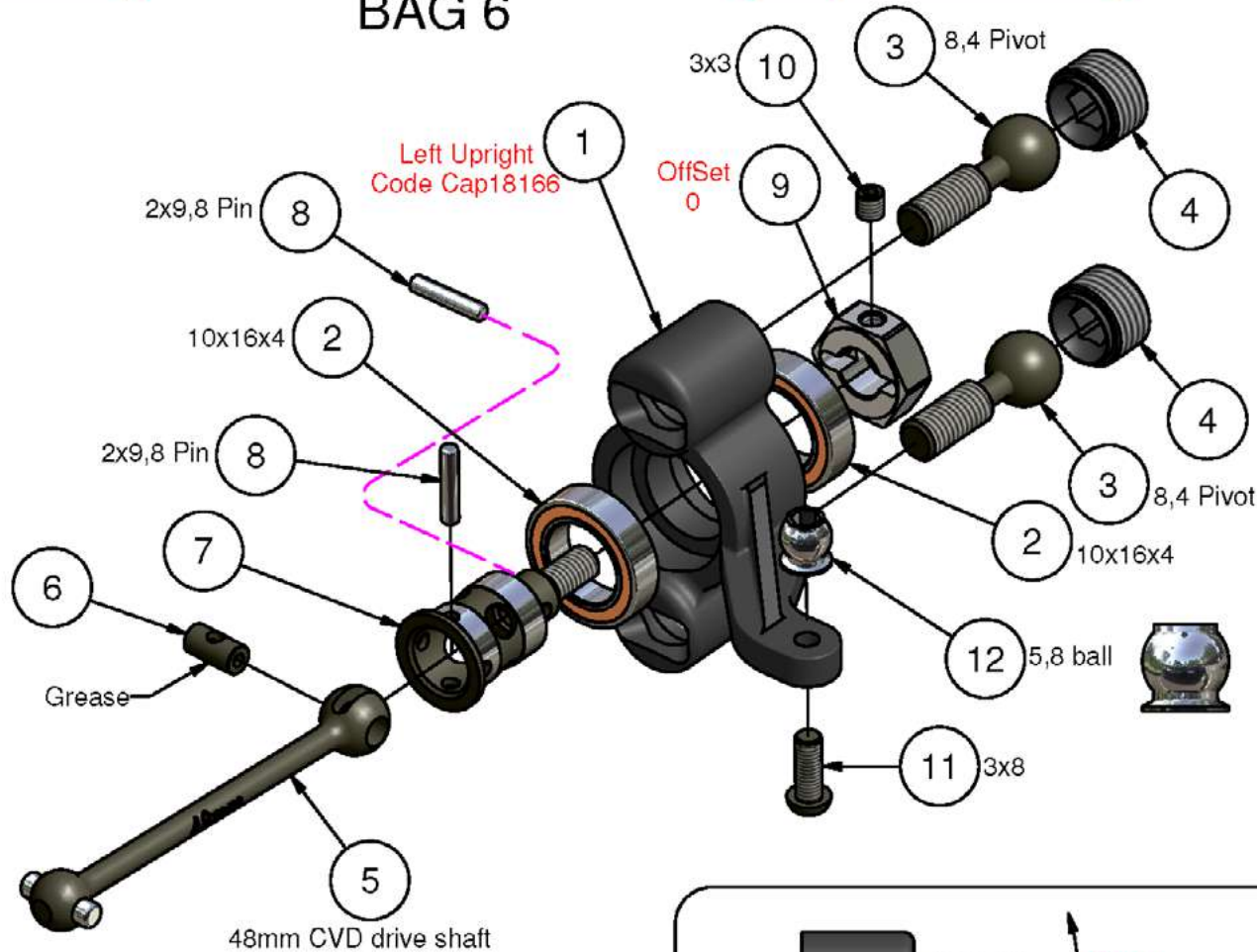


# Step 6.1

## - Front Hub - BAG 6

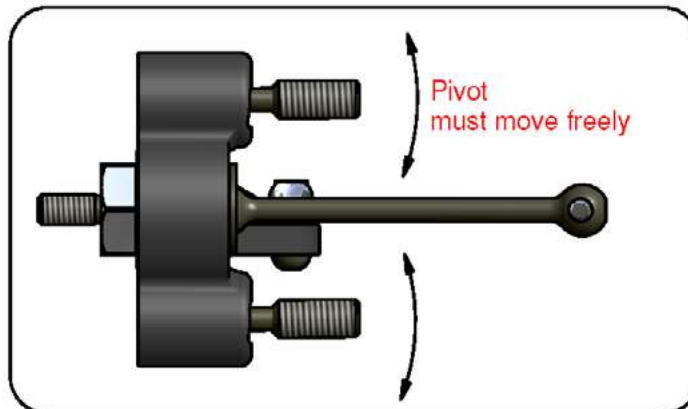
Capricorn RC

## Right Steering Block



2x L/R

| Parts List |    |           |
|------------|----|-----------|
| Rif.       | n° | Code      |
| 1          | 1  | Cap18165  |
| 2          | 2  | Cap16017  |
| 3          | 2  | Cap16004S |
| 4          | 2  | Cap16026S |
| 5          | 1  | Cap18200  |
| 6          | 1  | Cap16092  |
| 7          | 1  | Cap16096  |
| 8          | 2  | Cap17015  |
| 9          | 1  | Cap 255   |
| 10         | 1  | Cap17006  |
| 11         | 1  | Cap17032  |
| 12         | 1  | Cap18169  |



Made in Italy

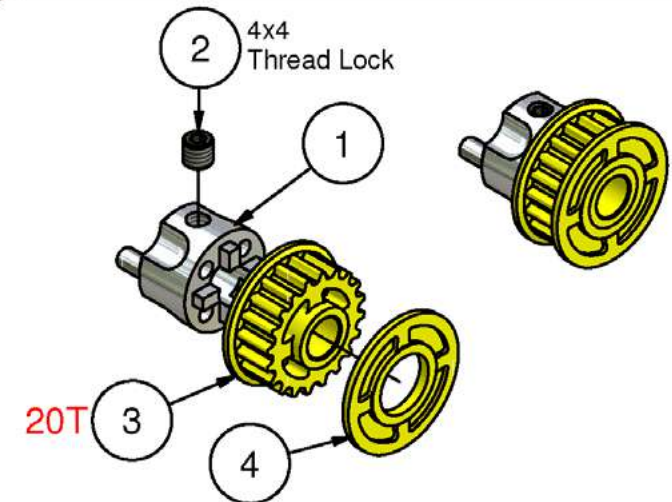
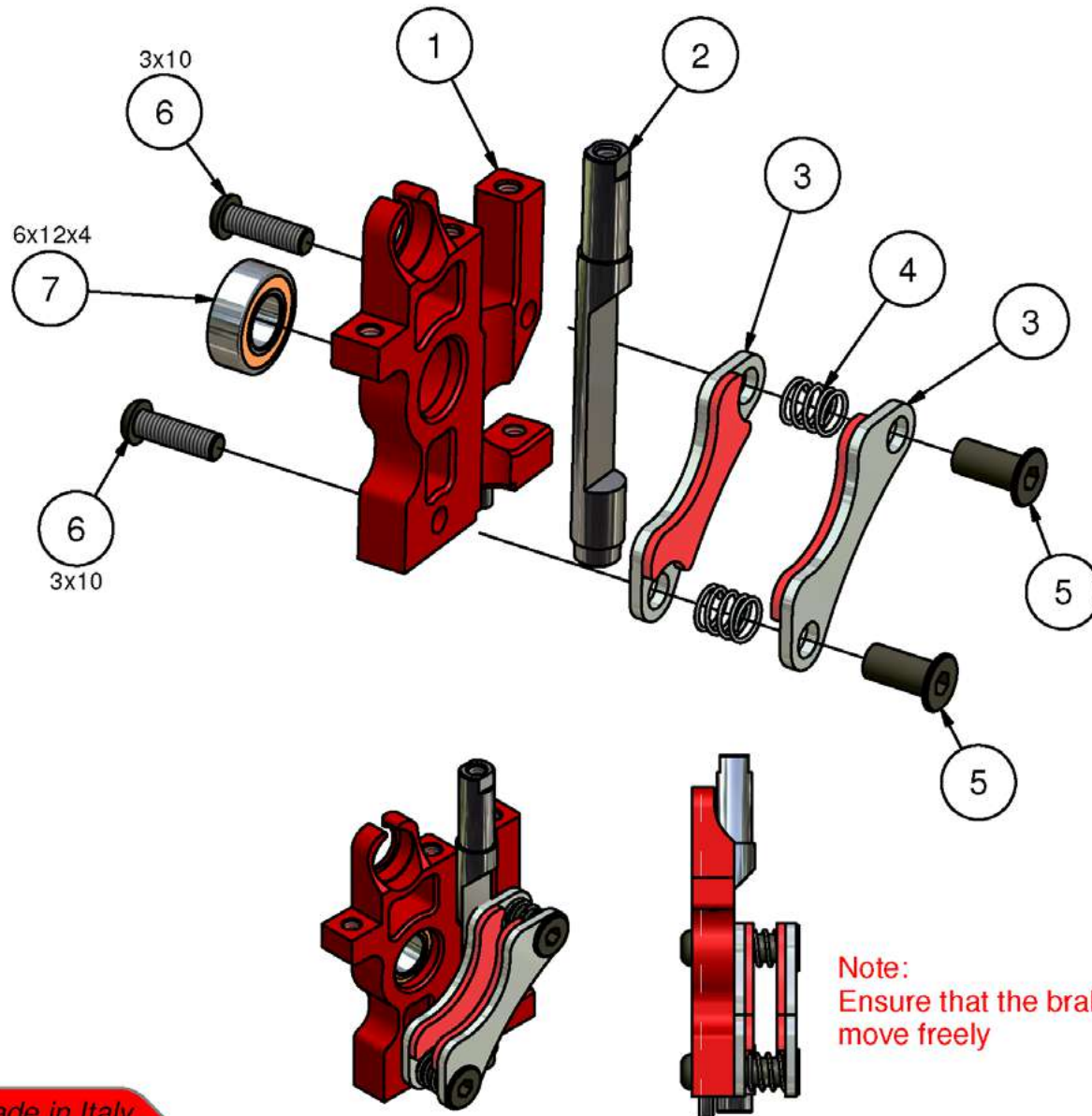




# Step 7.0

## - Brake Set - BAG 7

Capricorn RC



| Parts List |    |           |
|------------|----|-----------|
| Rif.       | n° | Code      |
| 1          | 1  | Cap16077B |
| 2          | 1  | Cap17010  |
| 3          | 1  | Cap14025K |
| 4          | 1  | Cap14025K |

| Parts List |    |             |
|------------|----|-------------|
| Rif.       | n° | Code        |
| 1          | 1  | Cap18187    |
| 2          | 1  | Cap16013-V2 |
| 3          | 2  | Cap18066-TF |
| 4          | 2  | Cap 2070    |
| 5          | 2  | Cap18069    |
| 6          | 2  | Cap17023    |
| 7          | 1  | Cap16021    |

Note:  
Ensure that the brake system  
move freely

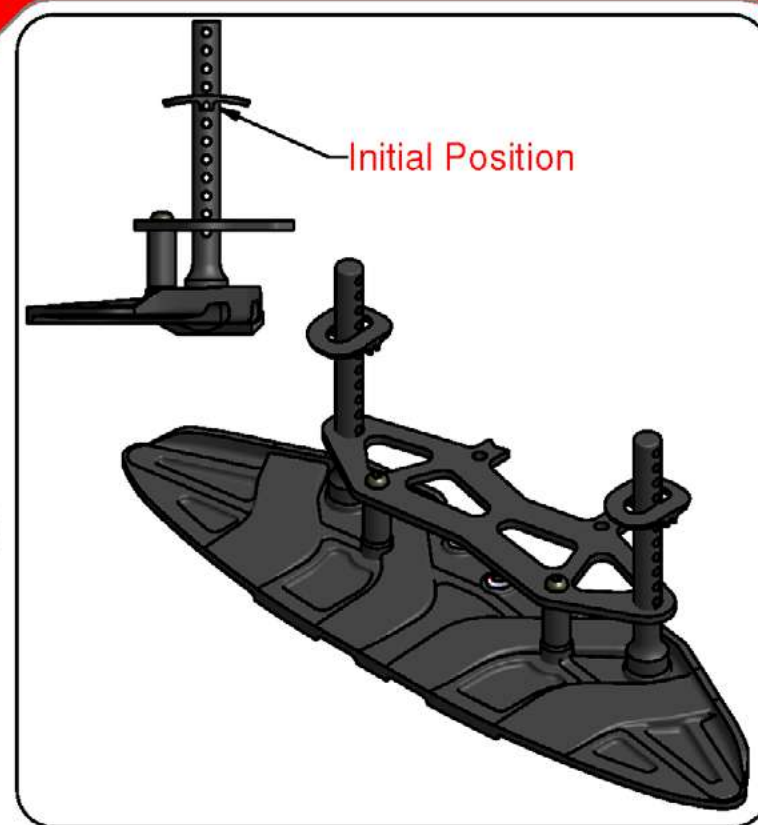
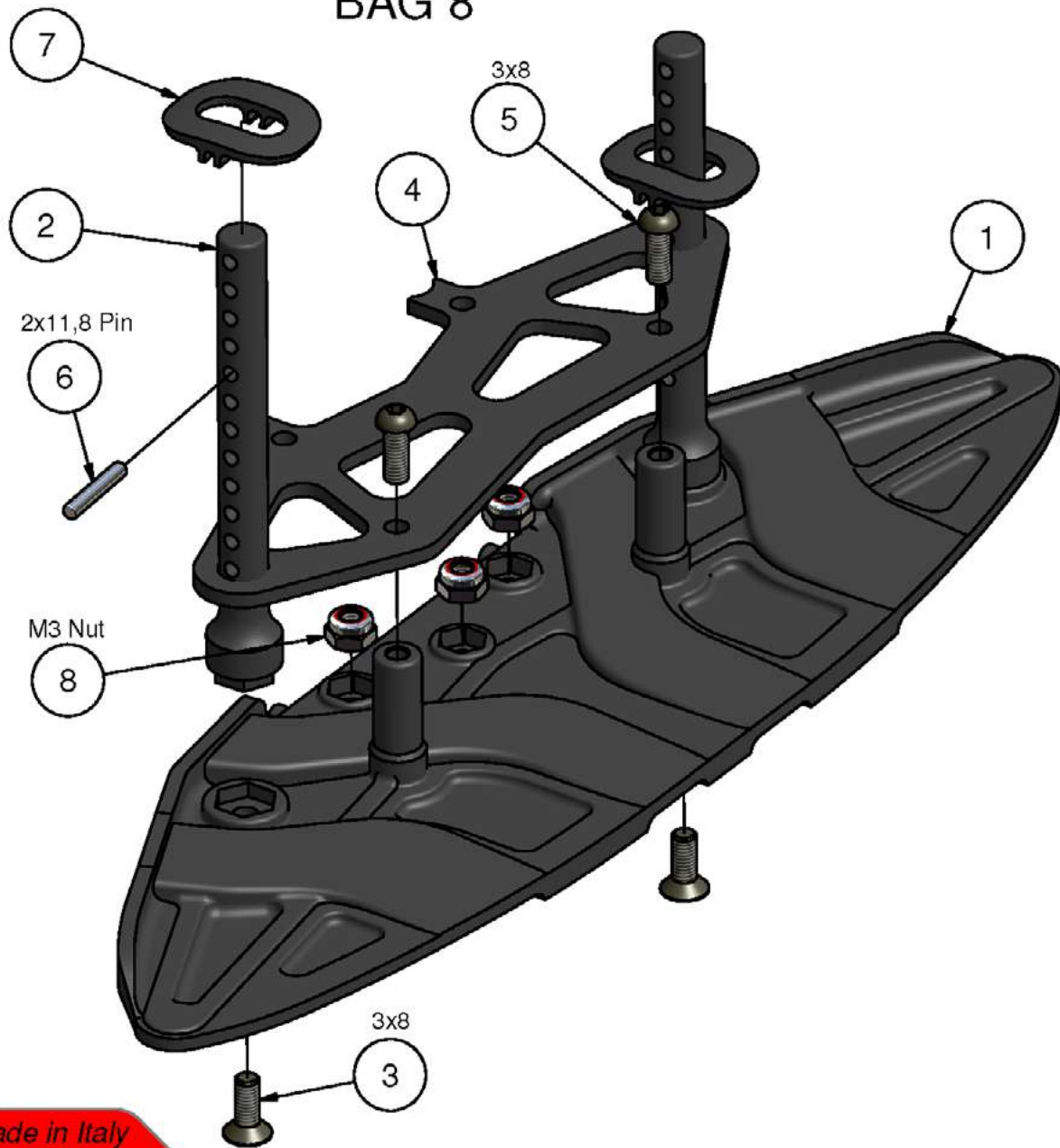
Made in Italy



# Step 8.0 - Front Bodymounts -

Capricorn RC

BAG 8



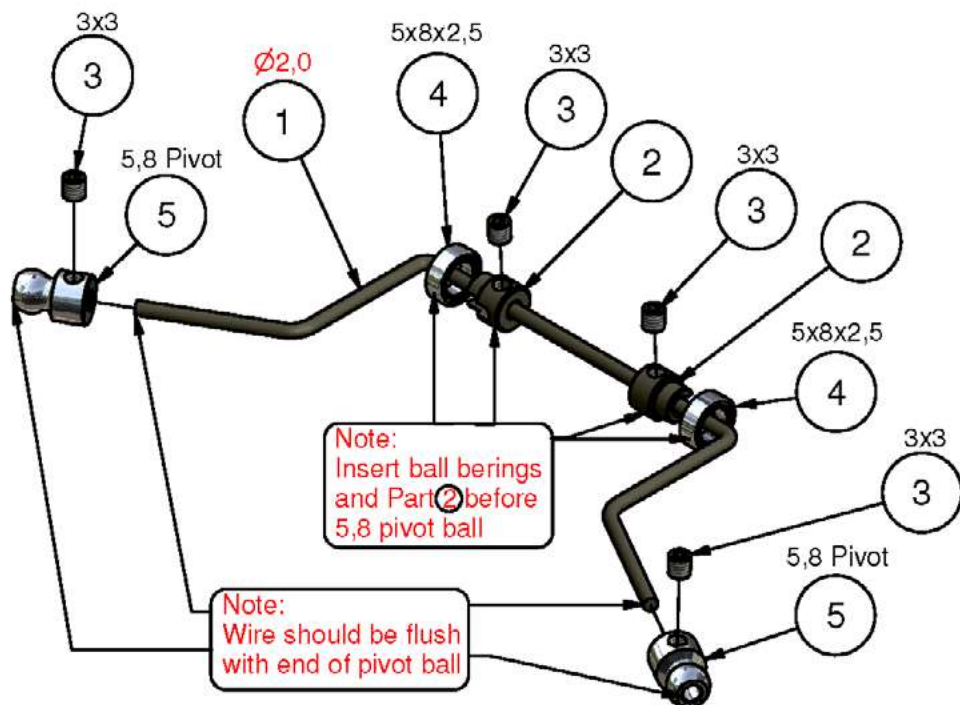
| Parts List |    |           |
|------------|----|-----------|
| Rif.       | n° | Code      |
| 1          | 1  | Cap18083  |
| 2          | 2  | Cap15011  |
| 3          | 2  | Cap17031  |
| 4          | 1  | Cap15007P |
| 5          | 2  | Cap17032  |
| 6          | 2  | Cap17016  |
| 7          | 2  | Cap15013  |
| 8          | 3  | Cap17040  |

Made in Italy



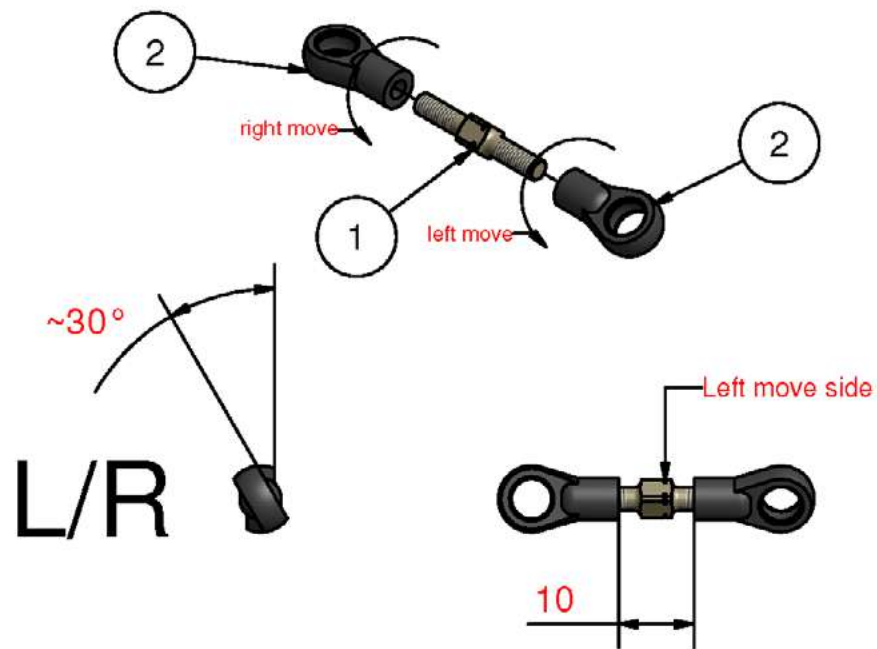
# Step 9.0 - Rear Anti-Roll Bar - BAG 9

Capricorn RC



| Parts List |    |              |
|------------|----|--------------|
| Rif.       | n° | Code         |
| 1          | 1  | Cap16008-2.0 |
| 2          | 2  | Cap18070-2.0 |
| 3          | 4  | Cap17006     |
| 4          | 2  | Cap16019     |
| 5          | 2  | Cap16087     |

KIT REAR ROLL  
BAR 2.0  
CAP-16008-2.0-K



2x

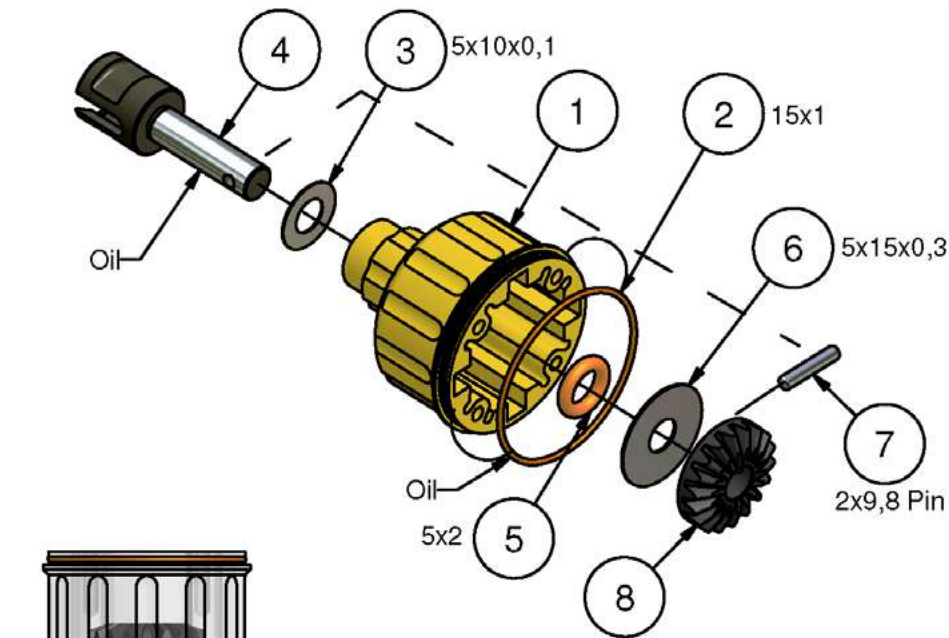
| Parts List |    |            |
|------------|----|------------|
| Rif.       | n° | Code       |
| 1          | 1  | Cap 2152B  |
| 2          | 2  | Cap14043KS |

Made in Italy

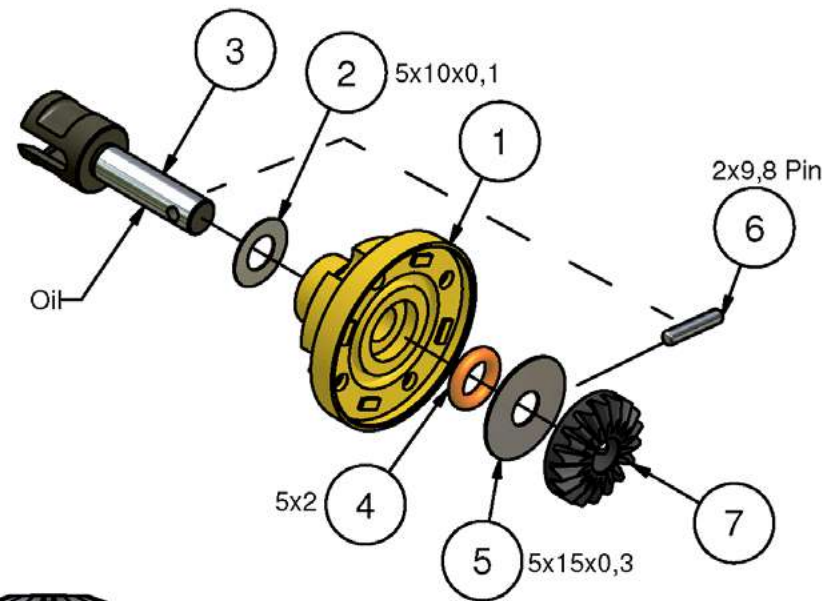


# Step 10.0 - Front gear differential - BAG 10

Capricorn RC



| Parts List |    |            |
|------------|----|------------|
| Rif.       | n° | Code       |
| 1          | 1  | Cap14014G  |
| 2          | 1  | Cap172407K |
| 3          | 1  | Cap17042   |
| 4          | 1  | Cap16075   |
| 5          | 1  | Cap170520  |
| 6          | 1  | Cap17042   |
| 7          | 1  | Cap17015   |
| 8          | 1  | Cap14045   |



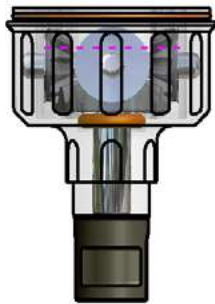
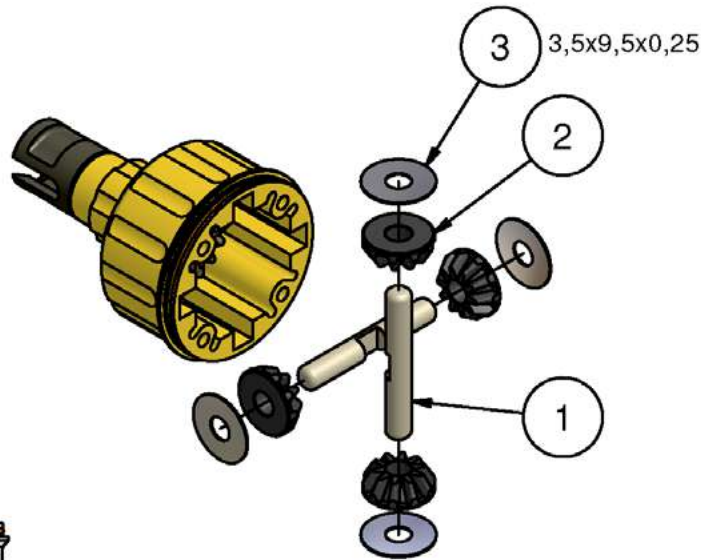
| Parts List |    |           |
|------------|----|-----------|
| Rif.       | n° | Code      |
| 1          | 1  | Cap14014G |
| 2          | 1  | Cap17042  |
| 3          | 1  | Cap16075  |
| 4          | 1  | Cap170520 |
| 5          | 1  | Cap17042  |
| 6          | 1  | Cap17015  |
| 7          | 1  | Cap14045  |

Made in Italy



# Step 10.1 - Front gear differential - BAG 10

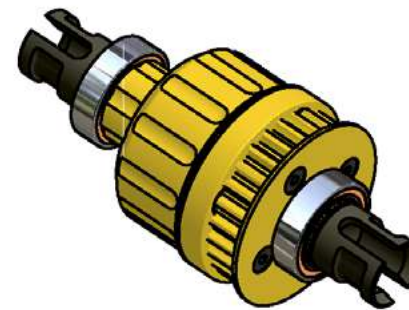
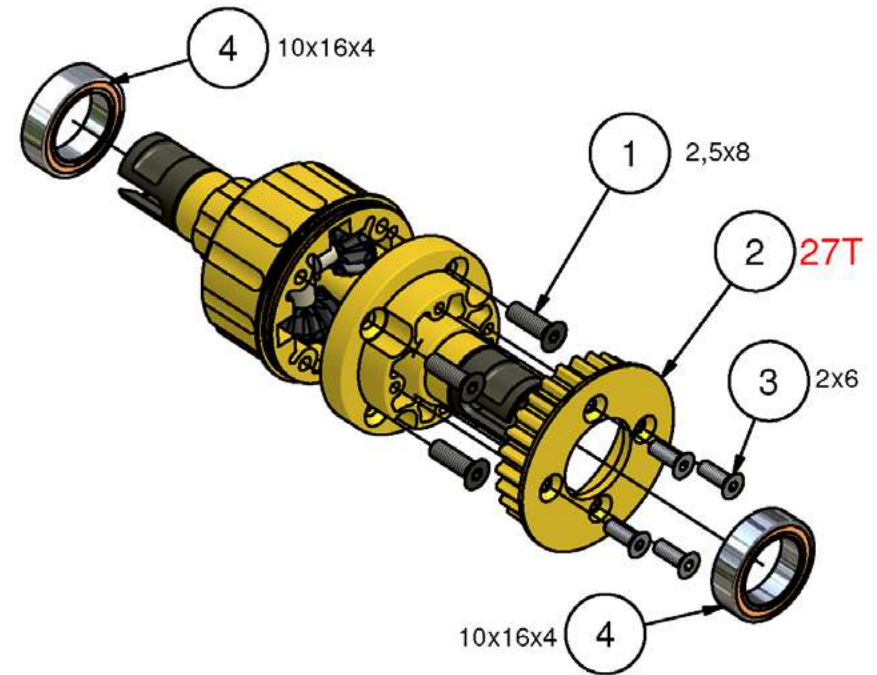
Capricorn RC



**Note:**  
Fill differential up to the top of the pins with silicon oil.  
Initial Setting 300.000



| Parts List |    |           |
|------------|----|-----------|
| Rif.       | n° | Code      |
| 1          | 2  | Cap16056H |
| 2          | 4  | Cap14045  |
| 3          | 4  | Cap17042  |



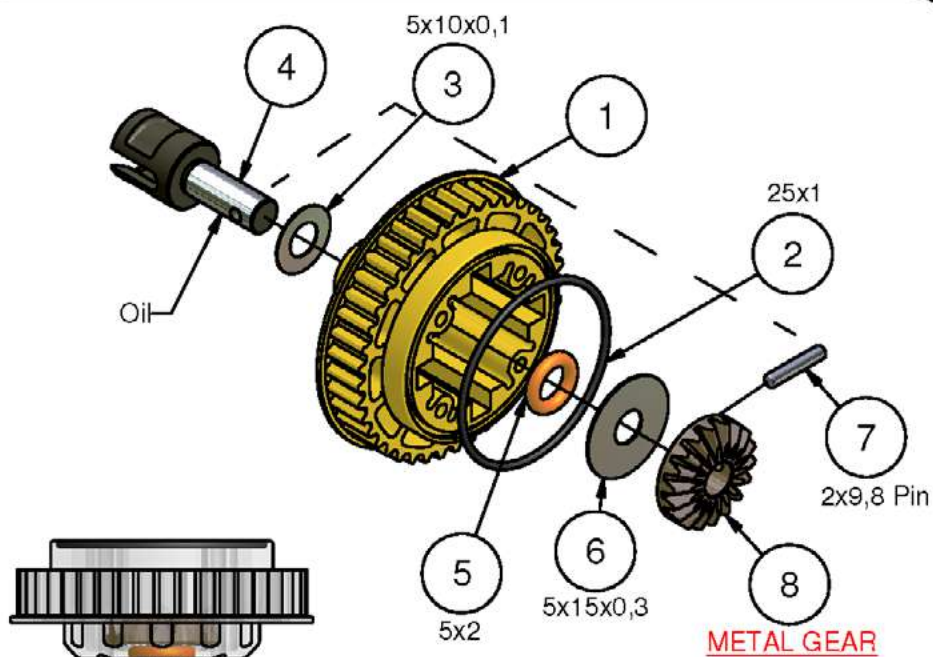
| Parts List |    |           |
|------------|----|-----------|
| Rif.       | n° | Code      |
| 1          | 4  | Cap17022  |
| 2          | 1  | Cap14028K |
| 3          | 4  | Cap17020  |
| 4          | 2  | Cap16017  |

Made in Italy

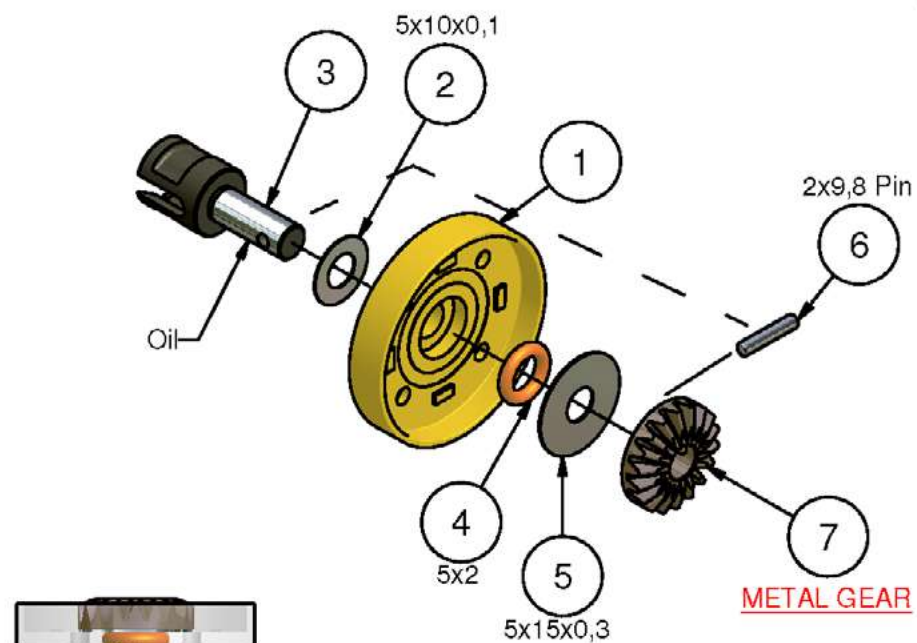


# Step 10.2 - Rear gear differential - BAG 10

Capricorn RC



| Parts List |    |              |
|------------|----|--------------|
| Rif.       | n° | Code         |
| 1          | 1  | Cap14021G-V3 |
| 2          | 1  | Cap24005     |
| 3          | 1  | Cap17042     |
| 4          | 1  | Cap16076     |
| 5          | 1  | Cap170520    |
| 6          | 1  | Cap17042     |
| 7          | 1  | Cap17015     |
| 8          | 1  | Cap18155     |



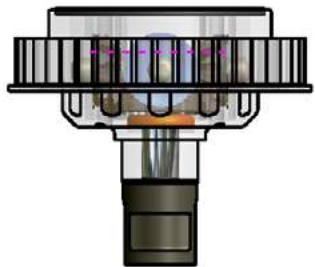
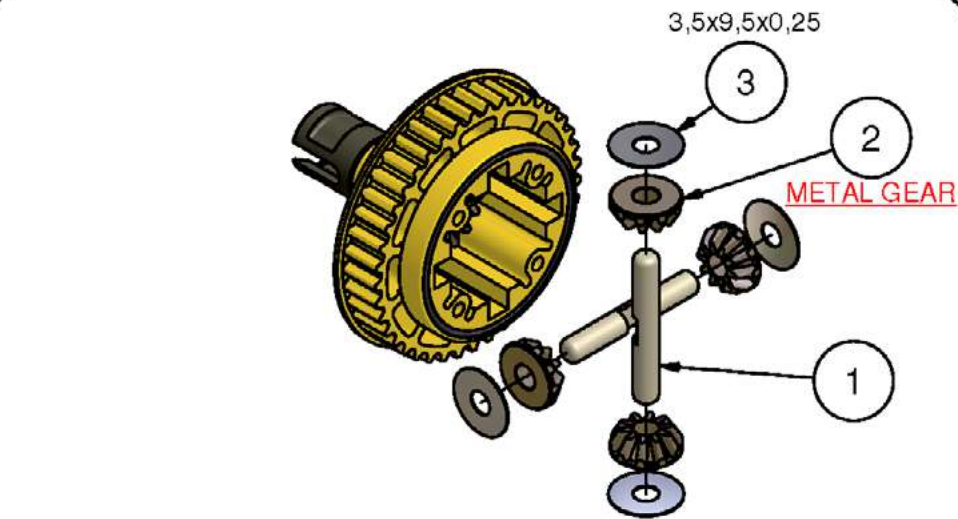
| Parts List |    |              |
|------------|----|--------------|
| Rif.       | n° | Code         |
| 1          | 1  | Cap14021G-V3 |
| 2          | 1  | Cap17042     |
| 3          | 1  | Cap16076     |
| 4          | 1  | Cap170520    |
| 5          | 1  | Cap17042     |
| 6          | 1  | Cap17015     |
| 7          | 1  | Cap18155     |

Made in Italy



# Step 10.3 - Rear gear differential - BAG 10

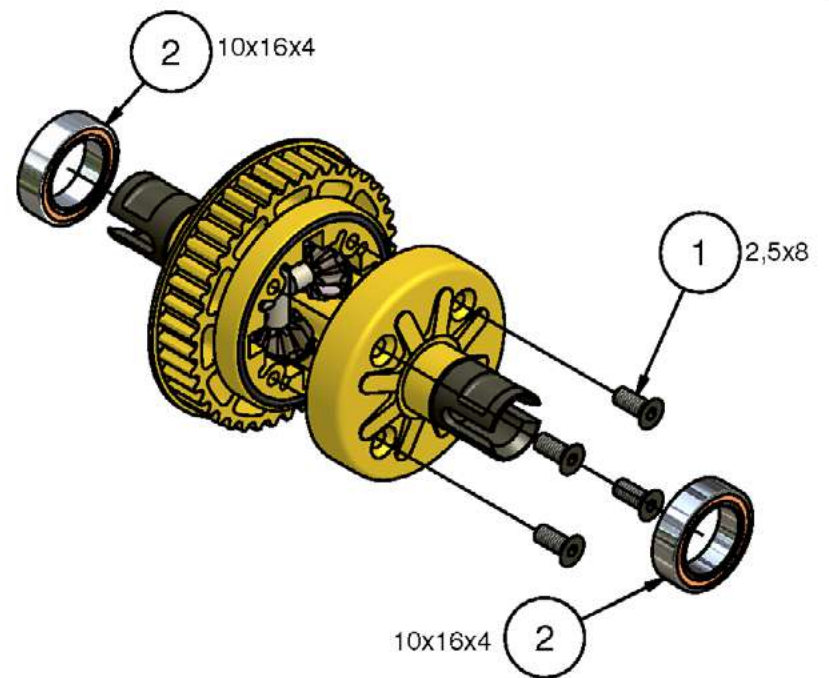
Capricorn RC



Note:  
Fill differential up to the top  
of the pins with silicon oil.  
Initial Setting 80.000



| Parts List |    |           |
|------------|----|-----------|
| Rif.       | n° | Code      |
| 1          | 2  | Cap16056H |
| 2          | 4  | Cap18155  |
| 3          | 4  | Cap17042  |



| Parts List |    |          |
|------------|----|----------|
| Rif.       | n° | Code     |
| 1          | 4  | Cap17035 |
| 2          | 2  | Cap16017 |

Made in Italy

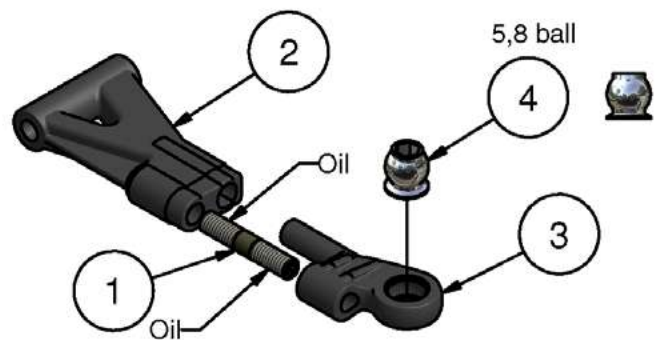


# Step 11.0

## - Rear Suspension - BAG 11

Capricorn RC

L/R



Remove for outdoor  
up roll center setting

With 2mm hex wrench  
turn for more or less camber

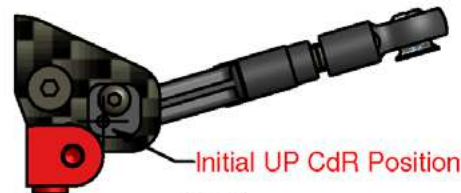
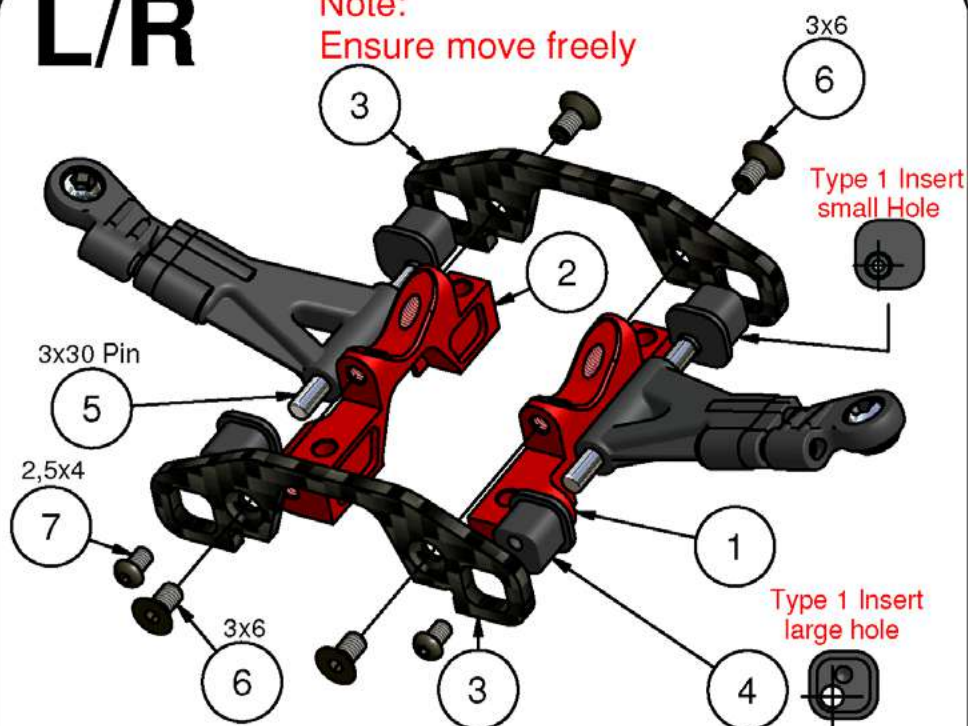
2x

| Parts List |    |          |
|------------|----|----------|
| Rif.       | n° | Code     |
| 1          | 1  | Cap 2115 |
| 2          | 1  | Cap18114 |
| 3          | 1  | Cap18115 |
| 4          | 1  | Cap18169 |

REAR UPPER  
ARM EVO KIT  
CAP-18114-K

L/R

Note:  
Ensure move freely



| Parts List |    |            |
|------------|----|------------|
| Rif.       | n° | Code       |
| 1          | 1  | Cap18176   |
| 2          | 1  | Cap18177   |
| 3          | 2  | Cap18179   |
| 4          | 4  | Cap14038-Q |
| 5          | 2  | Cap18078   |
| 6          | 4  | Cap17029   |
| 7          | 2  | Cap18019   |

Made in Italy



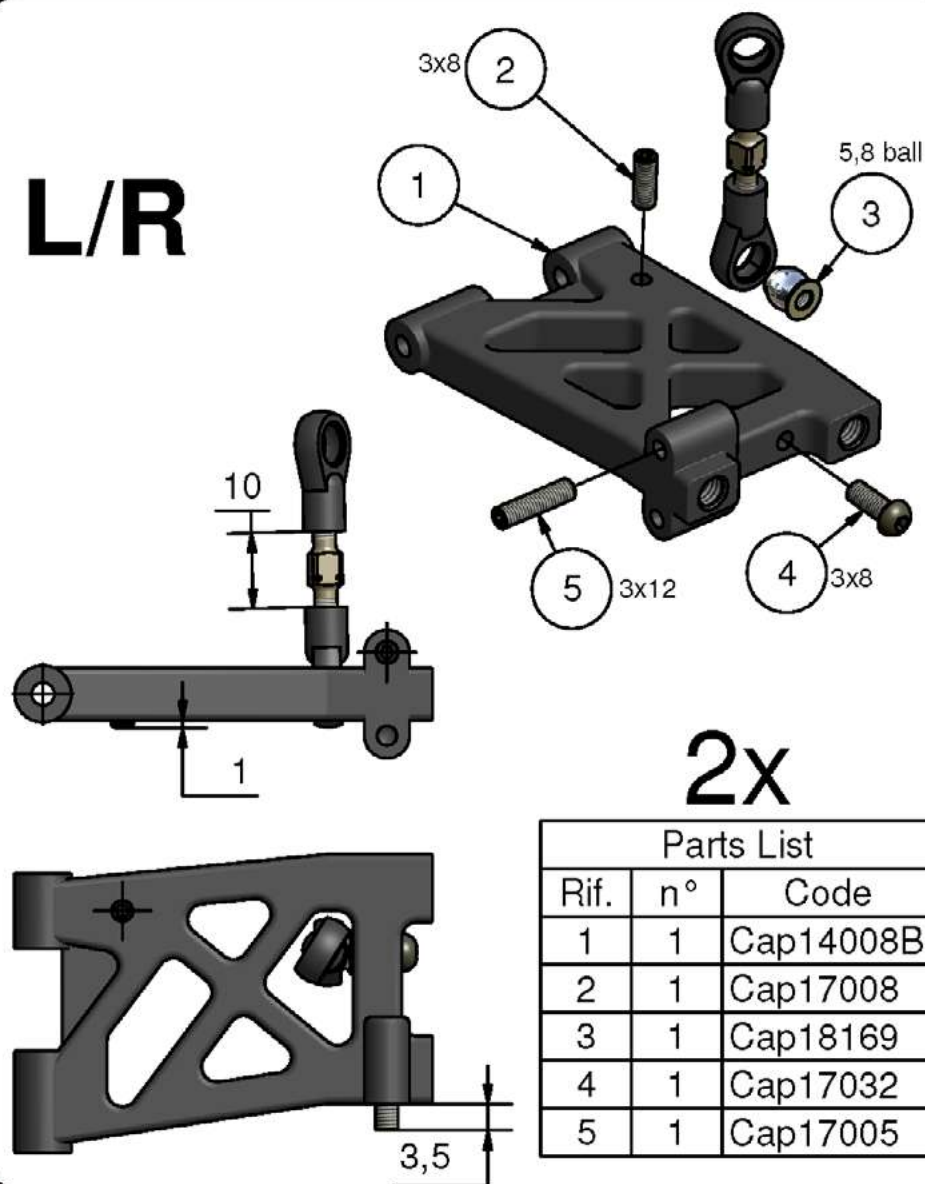


# Step 11.1

## - Rear Suspension - BAG 11

Capricorn RC

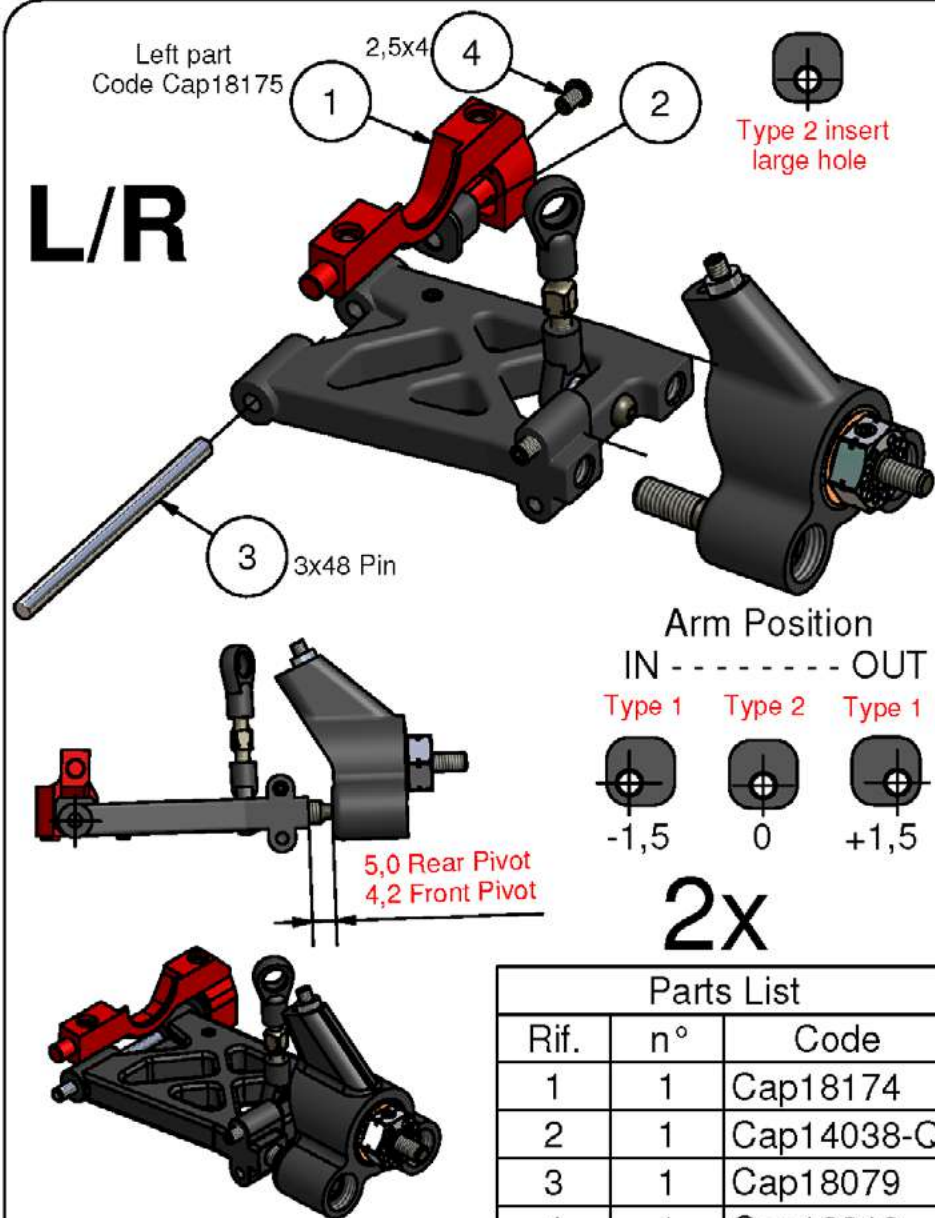
L/R



2x

| Parts List |    |           |
|------------|----|-----------|
| Rif.       | n° | Code      |
| 1          | 1  | Cap14008B |
| 2          | 1  | Cap17008  |
| 3          | 1  | Cap18169  |
| 4          | 1  | Cap17032  |
| 5          | 1  | Cap17005  |

L/R



2x

| Parts List |    |            |
|------------|----|------------|
| Rif.       | n° | Code       |
| 1          | 1  | Cap18174   |
| 2          | 1  | Cap14038-Q |
| 3          | 1  | Cap18079   |
| 4          | 1  | Cap18019   |

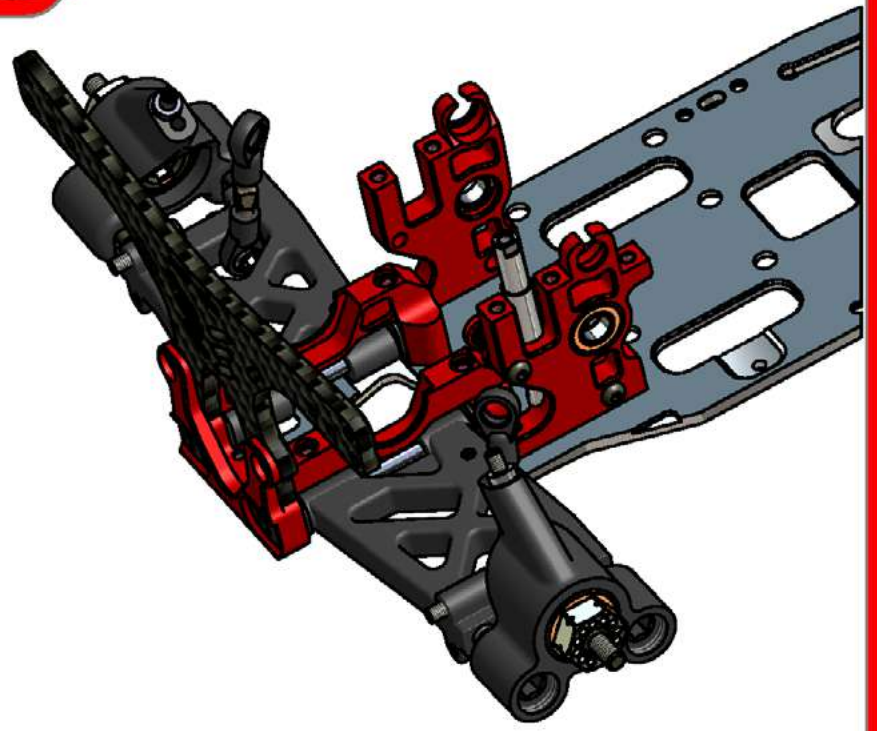
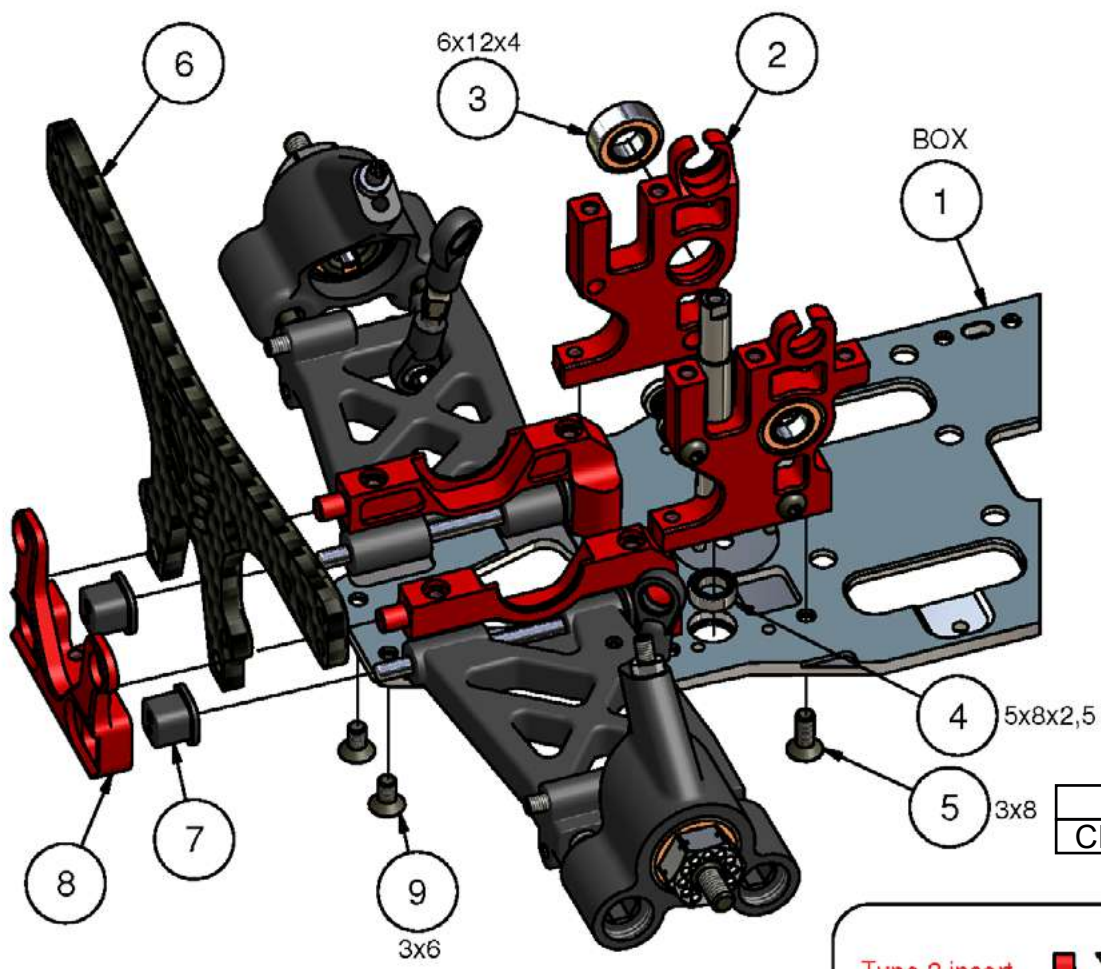
Made in Italy



# Step 11.2

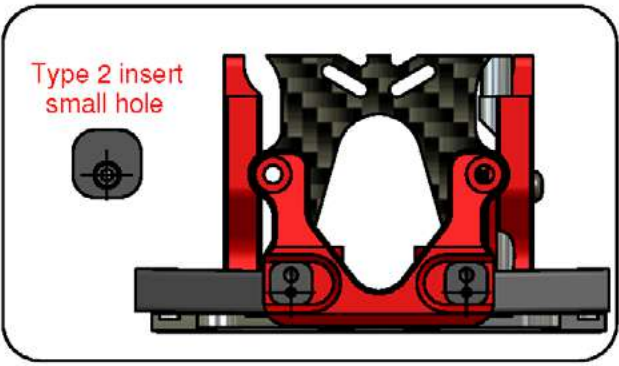
## - Rear Suspension - BAG 11

Capricorn RC



CHASSIS 2023 KIT  
CHASSIS EVO 2024 KIT

Big Bore LP Set  
Code Cap18223

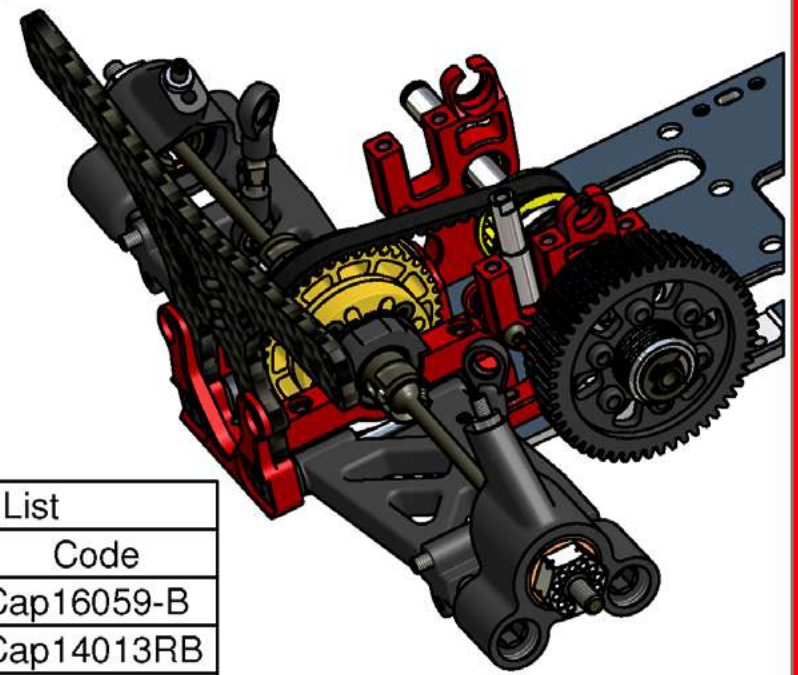
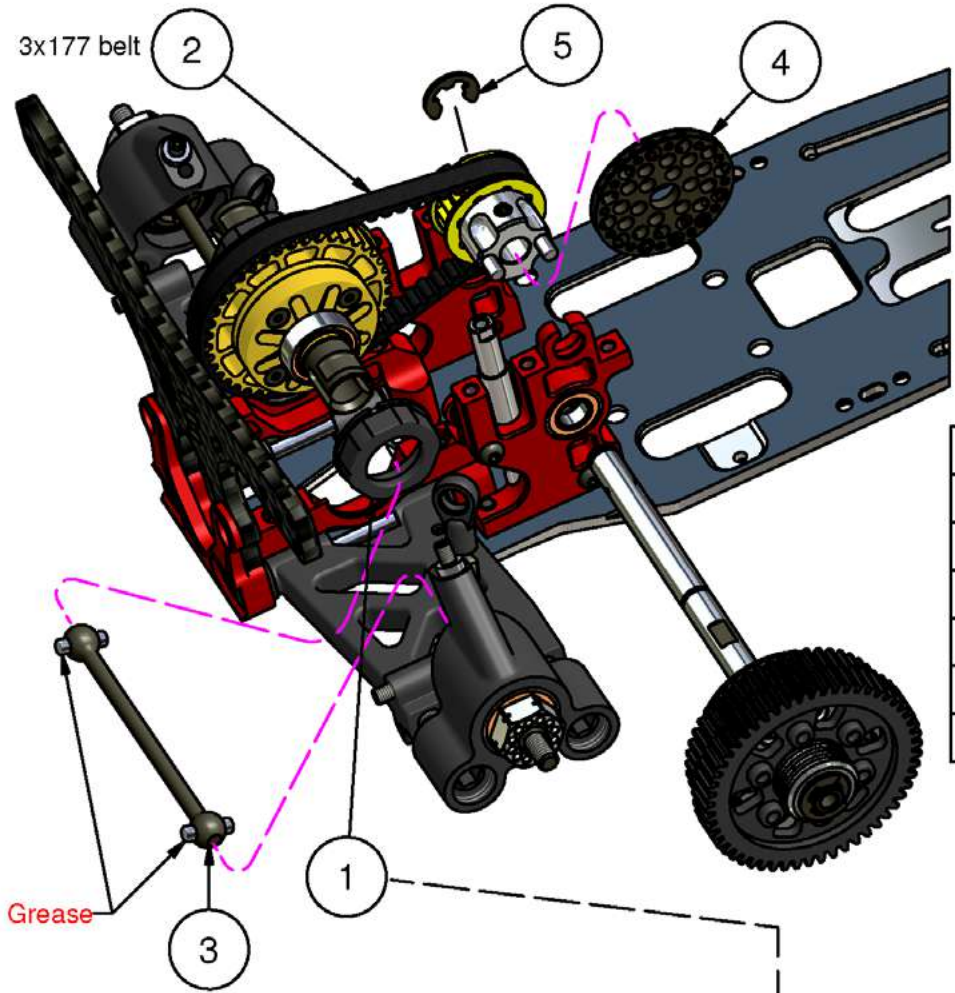


| Parts List |    |            |
|------------|----|------------|
| Rif.       | n° | Code       |
| 1          | 1  | Cap18222   |
| 2          | 1  | Cap18188   |
| 3          | 1  | Cap16021   |
| 4          | 1  | Cap16019   |
| 5          | 4  | Cap17031   |
| 6          | 1  | Cap18190   |
| 7          | 4  | Cap14038-Q |
| 8          | 1  | Cap18178   |
| 9          | 4  | Cap17029   |

# Step 11.3

## - Rear Transmission - BAG 11

Capricorn RC



| Parts List |    |            |
|------------|----|------------|
| Rif.       | n° | Code       |
| 1          | 2  | Cap16059-B |
| 2          | 1  | Cap14013RB |
| 3          | 2  | Cap18081   |
| 4          | 1  | Cap18068   |
| 5          | 1  | Cap17002   |



52mm CVD version Option  
code Cap18201-K



Metal version Option  
code Cap16059M

To Loosen      To Tighten

**Note:**  
Set right and left side  
in the same way for a  
correct belt tension

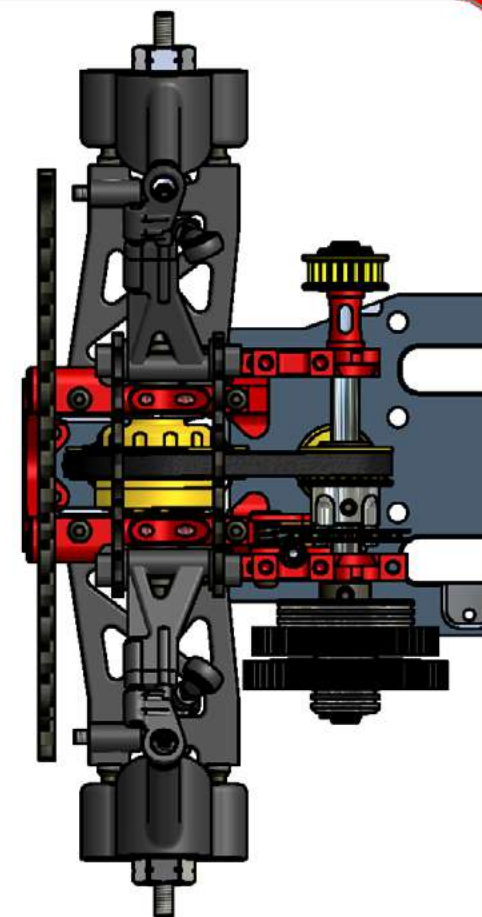
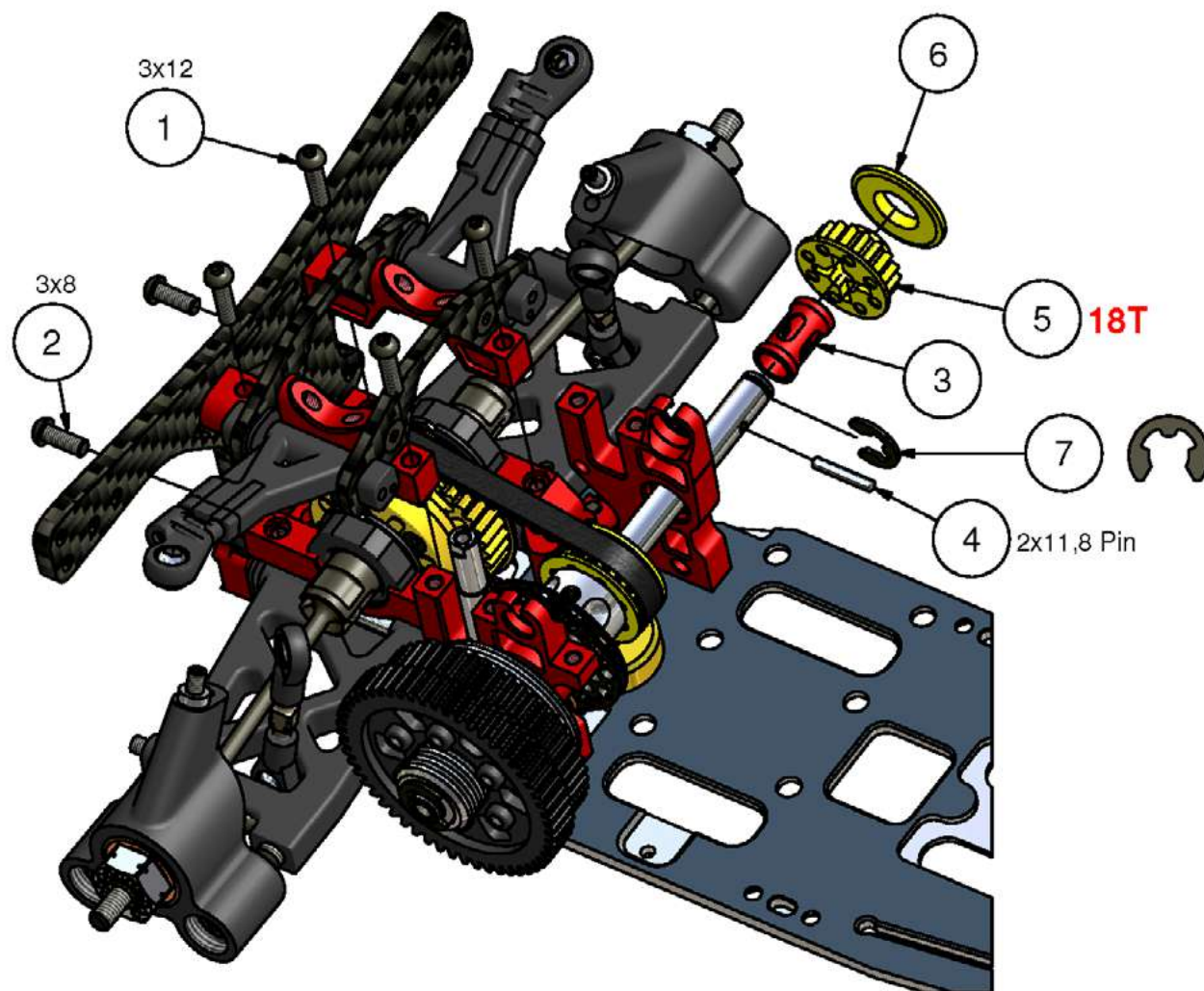
Made in Italy 

# Step 11.4

- Rear Suspension -  
BAG 11

Capricorn RC

## L/R



Parts List

| Rif. | n° | Code        |
|------|----|-------------|
| 1    | 4  | Cap17026    |
| 2    | 2  | Cap17032    |
| 3    | 1  | Cap14022-18 |
| 4    | 1  | Cap17016    |
| 5    | 1  | Cap14023    |
| 6    | 1  | Cap14023    |
| 7    | 1  | Cap17002    |

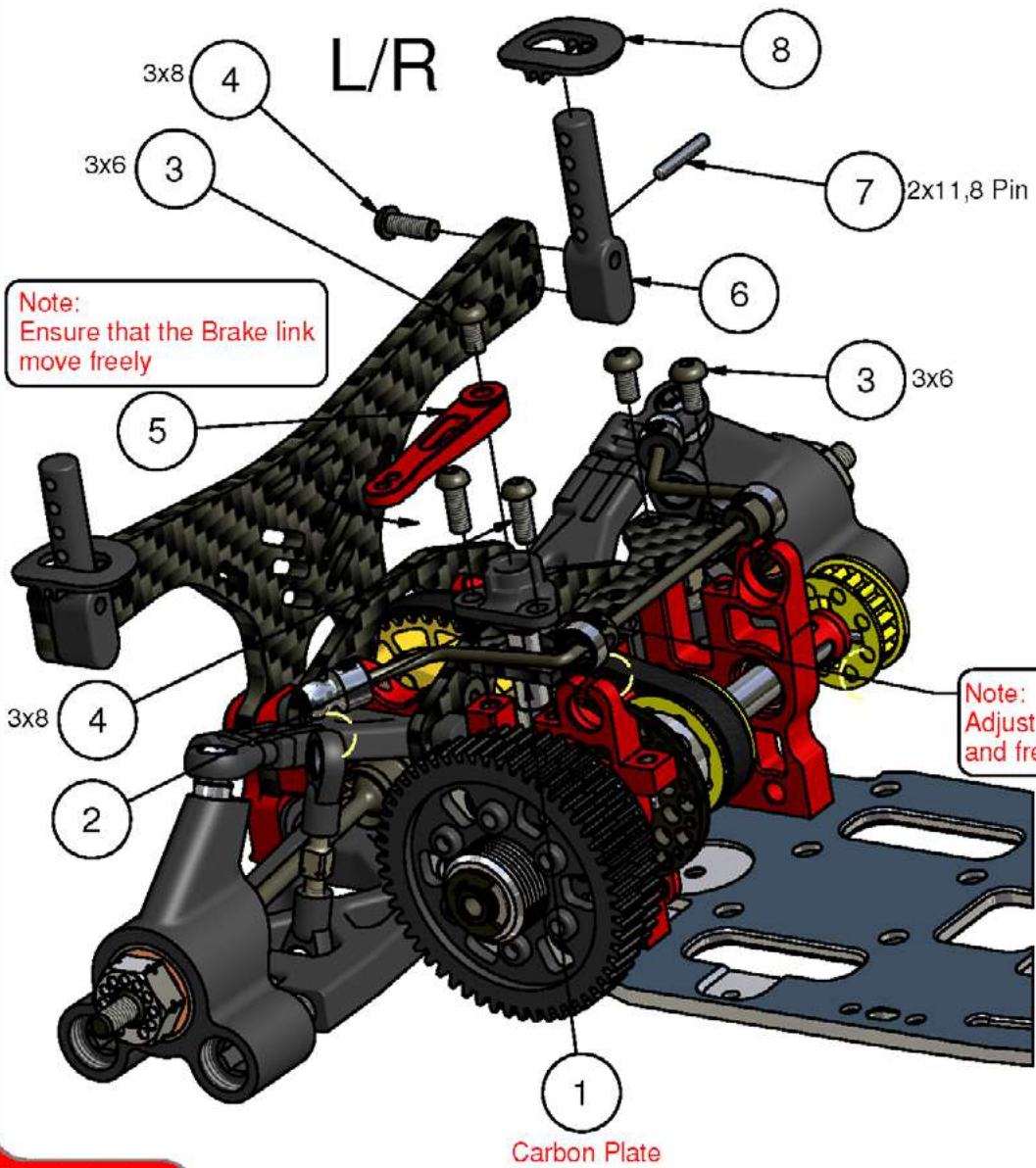
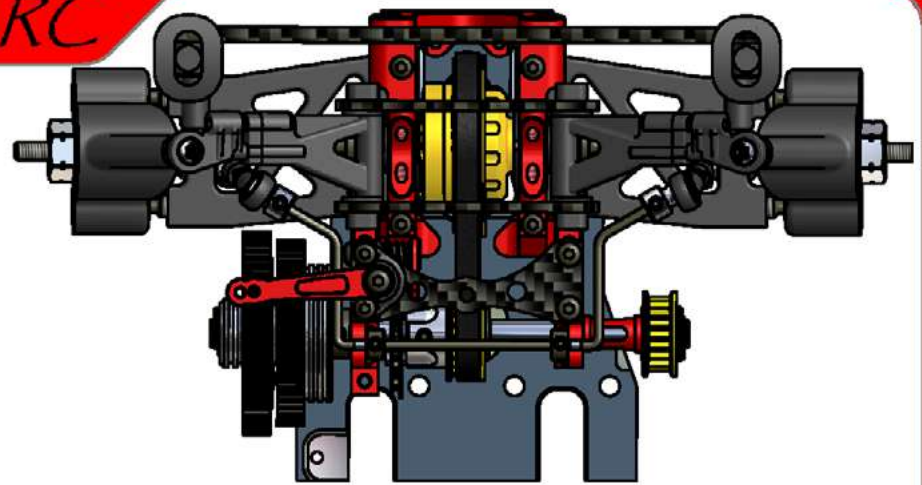
Made in Italy



# Step 11.5

## - Rear Suspension - BAG 11

Capricorn RC



Note: Ensure that the Brake link move freely

Note: Adjust position for minimum offset and freely rear Anti-Roll bar movement

Zoom view



| Parts List |    |           |
|------------|----|-----------|
| Rif.       | n° | Code      |
| 1          | 1  | Cap18063  |
| 2          | 1  | Cap16068P |
| 3          | 3  | Cap17030  |
| 4          | 4  | Cap17032  |
| 5          | 1  | Cap 2392B |
| 6          | 2  | Cap15012  |
| 7          | 2  | Cap17016  |
| 8          | 2  | Cap15013  |

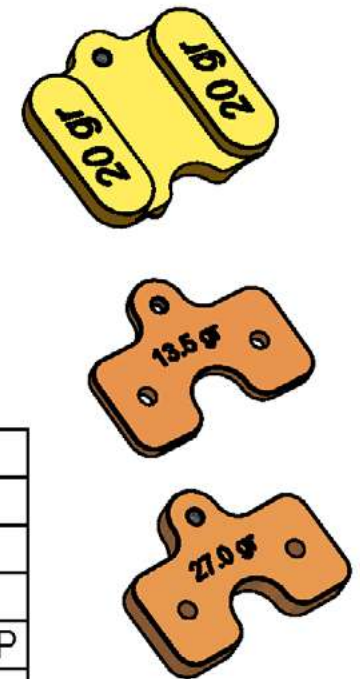
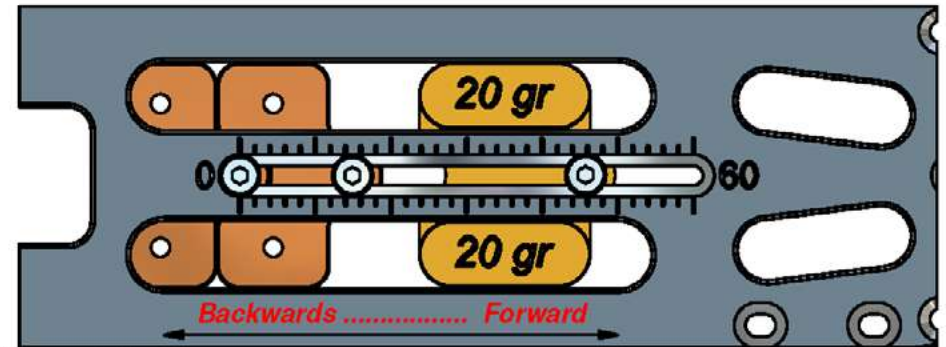
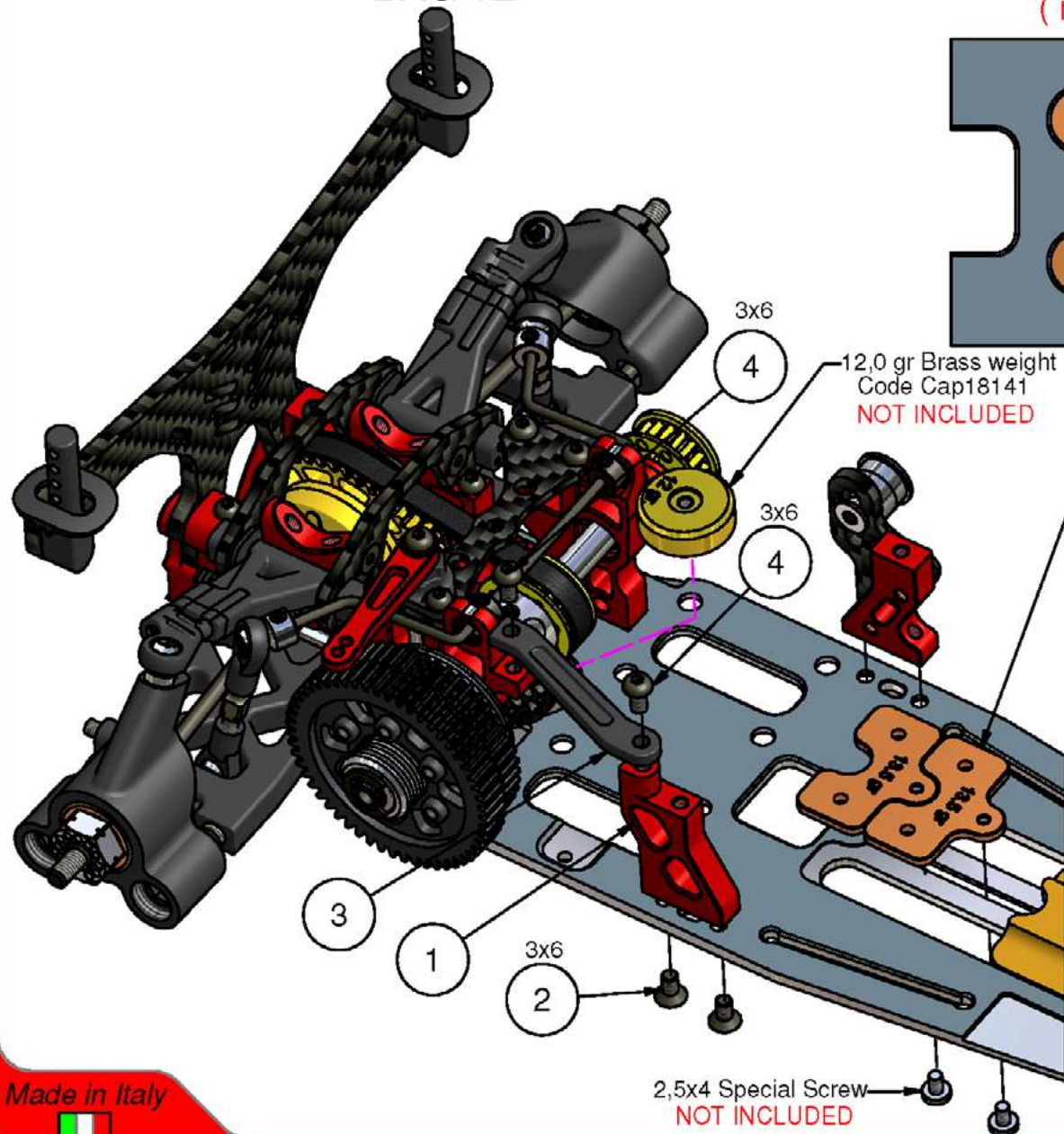
Made in Italy

# Step 12.0

## - Central Uprights Adjustable weights - BAG 12

Capricorn RC

Adjust weights scale position to obtain desired dynamic balance  
( maximum of 5 different weights )



Adjustable weight  
**NOT INCLUDED**  
**Brass**  
20,0 gr Code Cap18221  
**Special alloy**  
13,5 gr Code Cap18162-13,5

| Parts List |    |           |
|------------|----|-----------|
| Rif.       | n° | Code      |
| 1          | 1  | Cap16036  |
| 2          | 5  | Cap17029  |
| 3          | 1  | Cap15009P |
| 4          | 2  | Cap17030  |

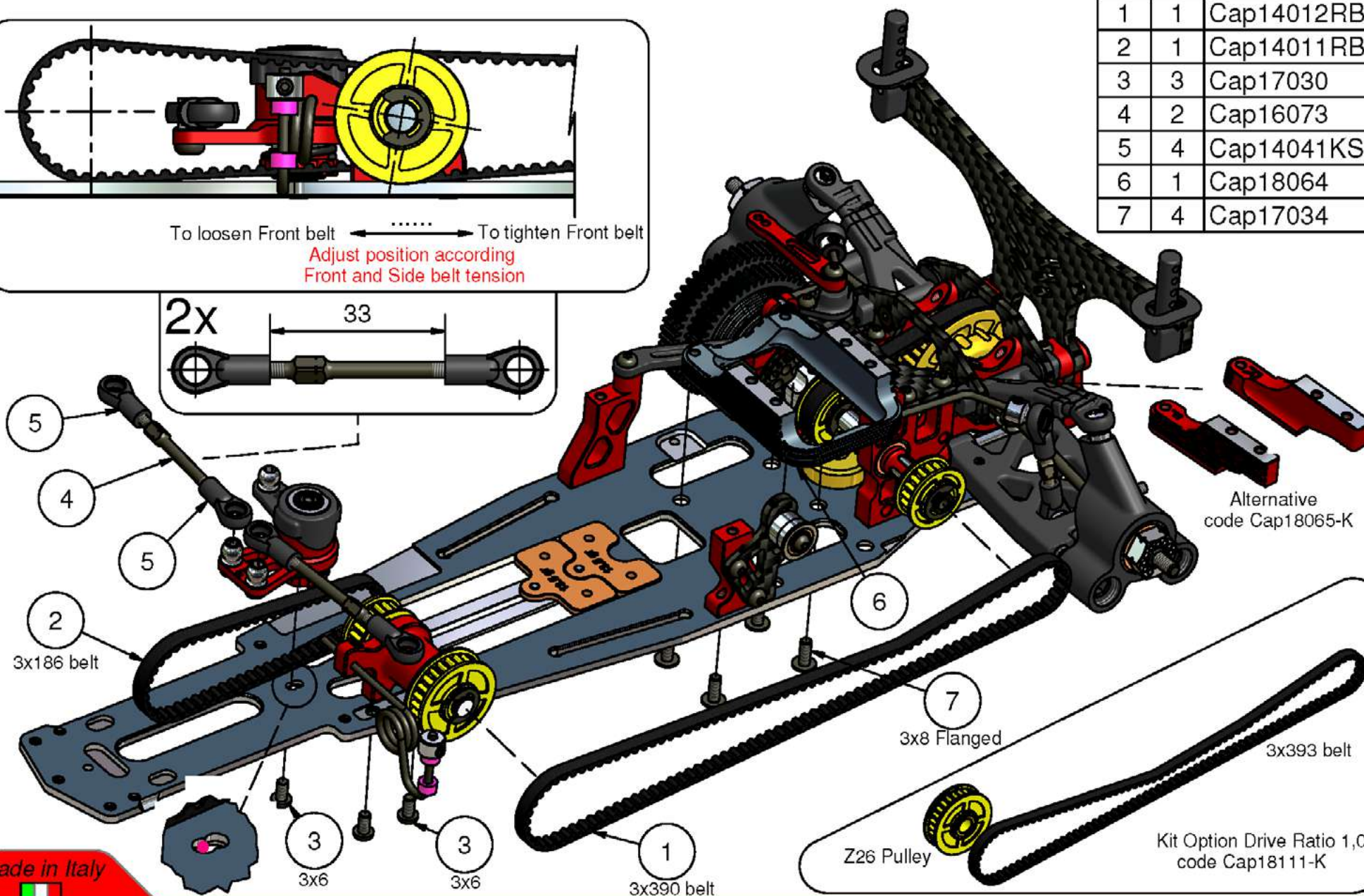
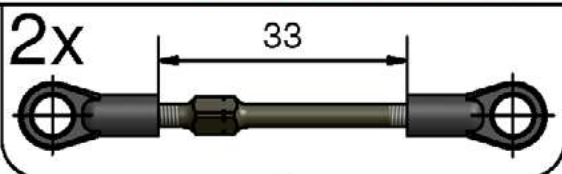
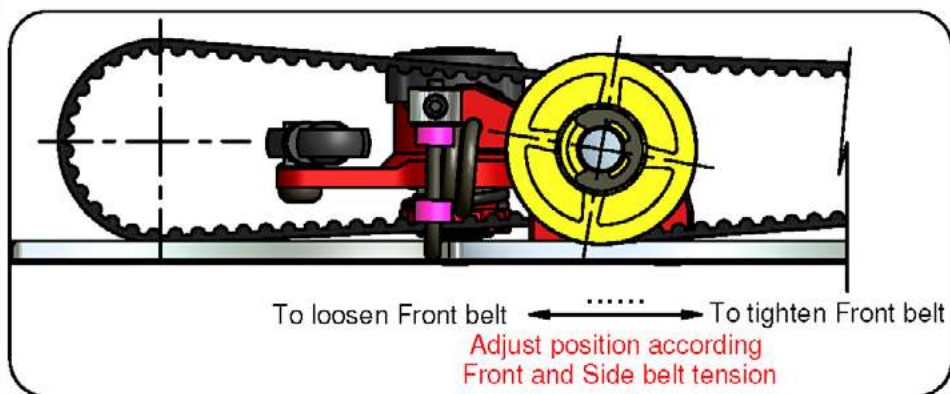
Made in Italy



# Step 12.1 - Middle Transmission - BAG 12

Capricorn RC

| Parts List |    |            |
|------------|----|------------|
| Rif.       | n° | Code       |
| 1          | 1  | Cap14012RB |
| 2          | 1  | Cap14011RB |
| 3          | 3  | Cap17030   |
| 4          | 2  | Cap16073   |
| 5          | 4  | Cap14041KS |
| 6          | 1  | Cap18064   |
| 7          | 4  | Cap17034   |



Made in Italy



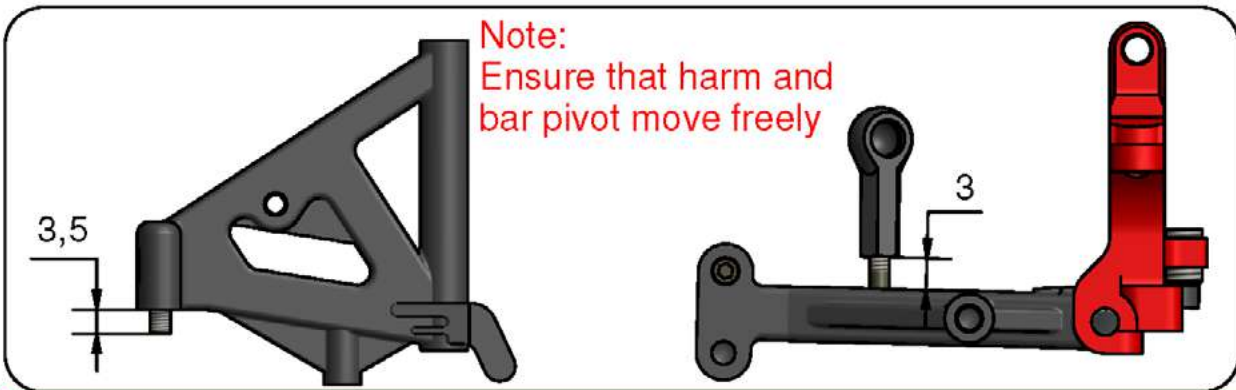
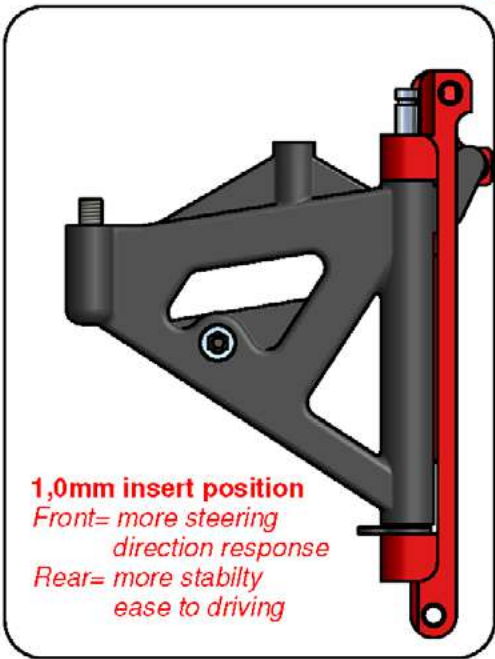
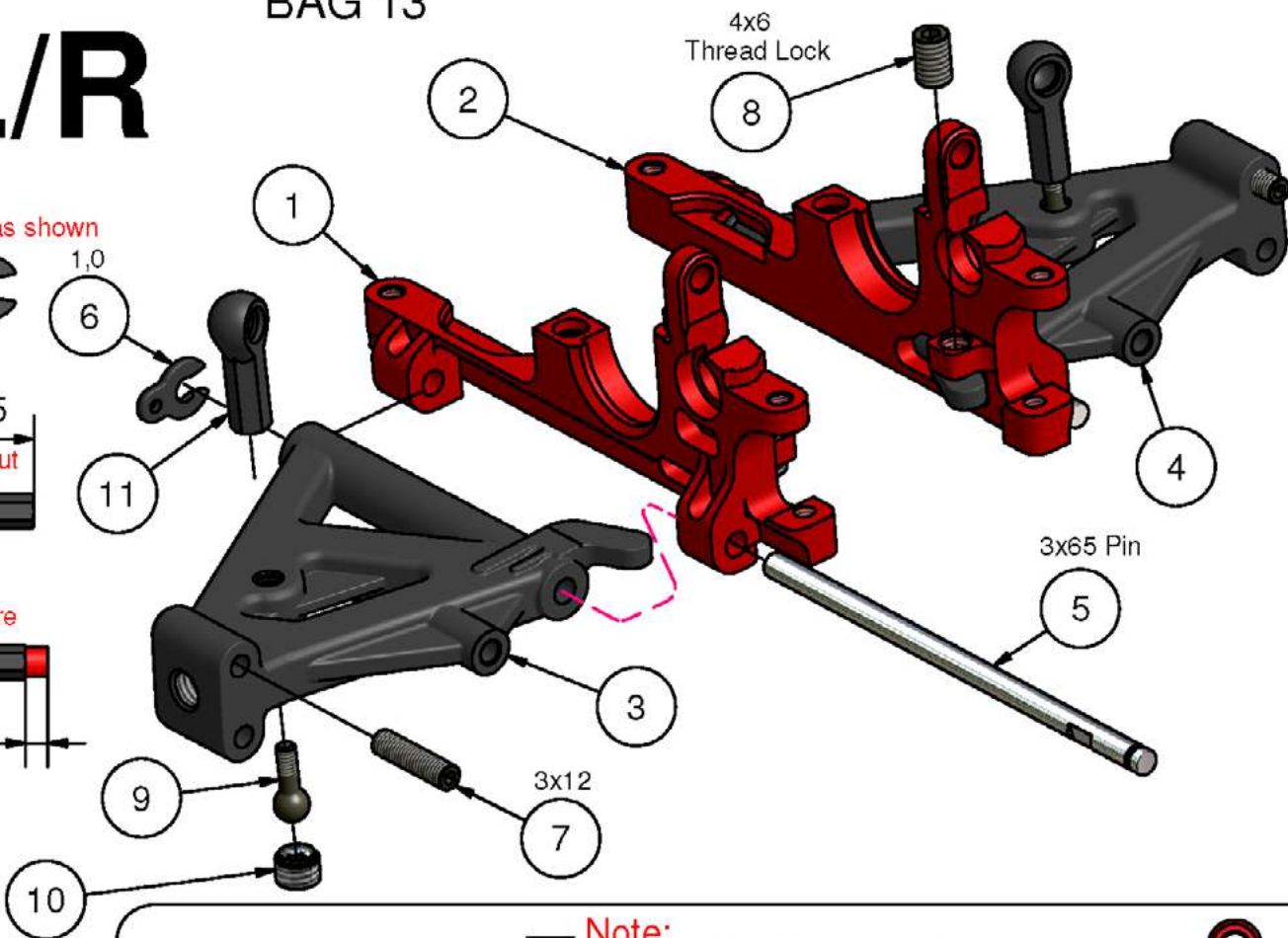
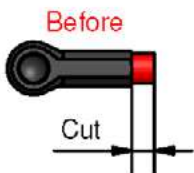
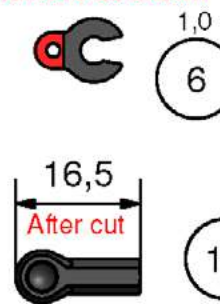
# Step 13.0

## - Front Suspension - BAG 13

Capricorn RC

L/R

Note:  
Remove as shown



| Parts List |    |           |
|------------|----|-----------|
| Rif.       | n° | Code      |
| 1          | 1  | Cap18183  |
| 2          | 1  | Cap18184  |
| 3          | 1  | Cap14005B |
| 4          | 1  | Cap14006B |
| 5          | 2  | Cap16051  |
| 6          | 2  | Cap14031  |
| 7          | 2  | Cap17005  |
| 8          | 2  | Cap17011  |
| 9          | 2  | Cap17051  |
| 10         | 2  | Cap17052  |
| 11         | 2  | Cap17041  |

Made in Italy



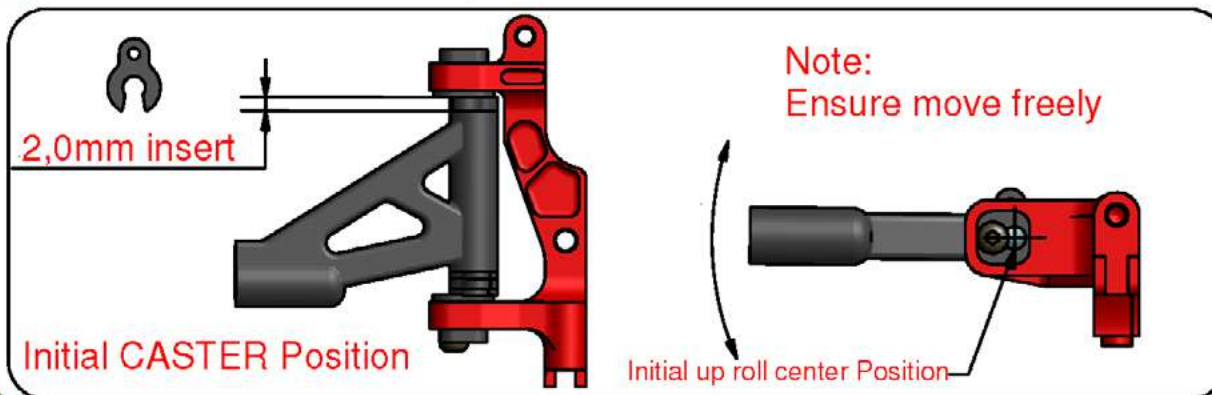
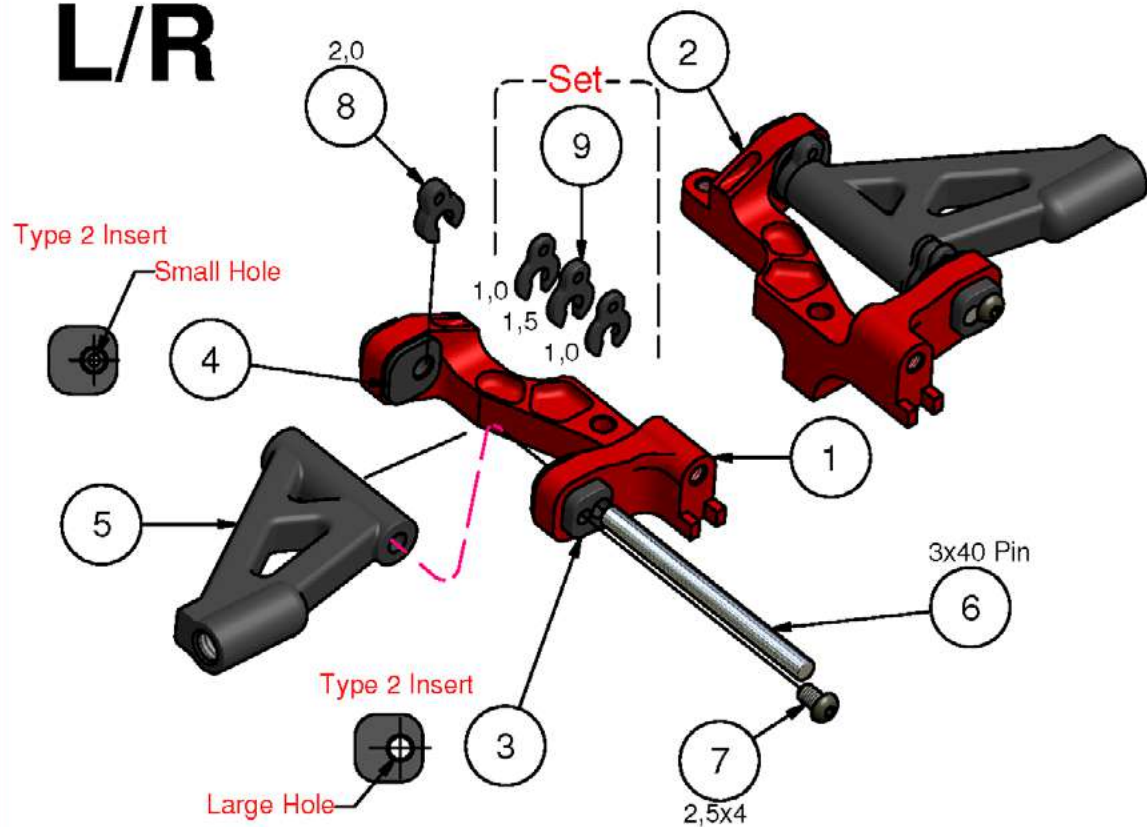


# Step 13.1

## - Front Suspension - BAG 13

Capricorn RC

L/R



| Parts List |    |              |
|------------|----|--------------|
| Rif.       | n° | Code         |
| 1          | 1  | Cap18185     |
| 2          | 1  | Cap18186     |
| 3          | 2  | Cap14038-Q   |
| 4          | 2  | Cap14038-Q   |
| 5          | 2  | Cap14007B    |
| 6          | 2  | Cap 2086     |
| 7          | 2  | Cap18019     |
| 8          | 2  | Cap14031-2.0 |
| 9          | 2  | Cap14031     |

Made in Italy

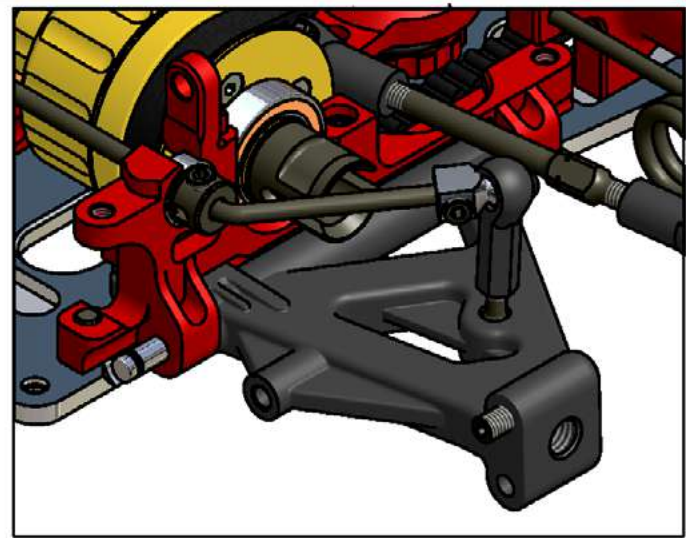
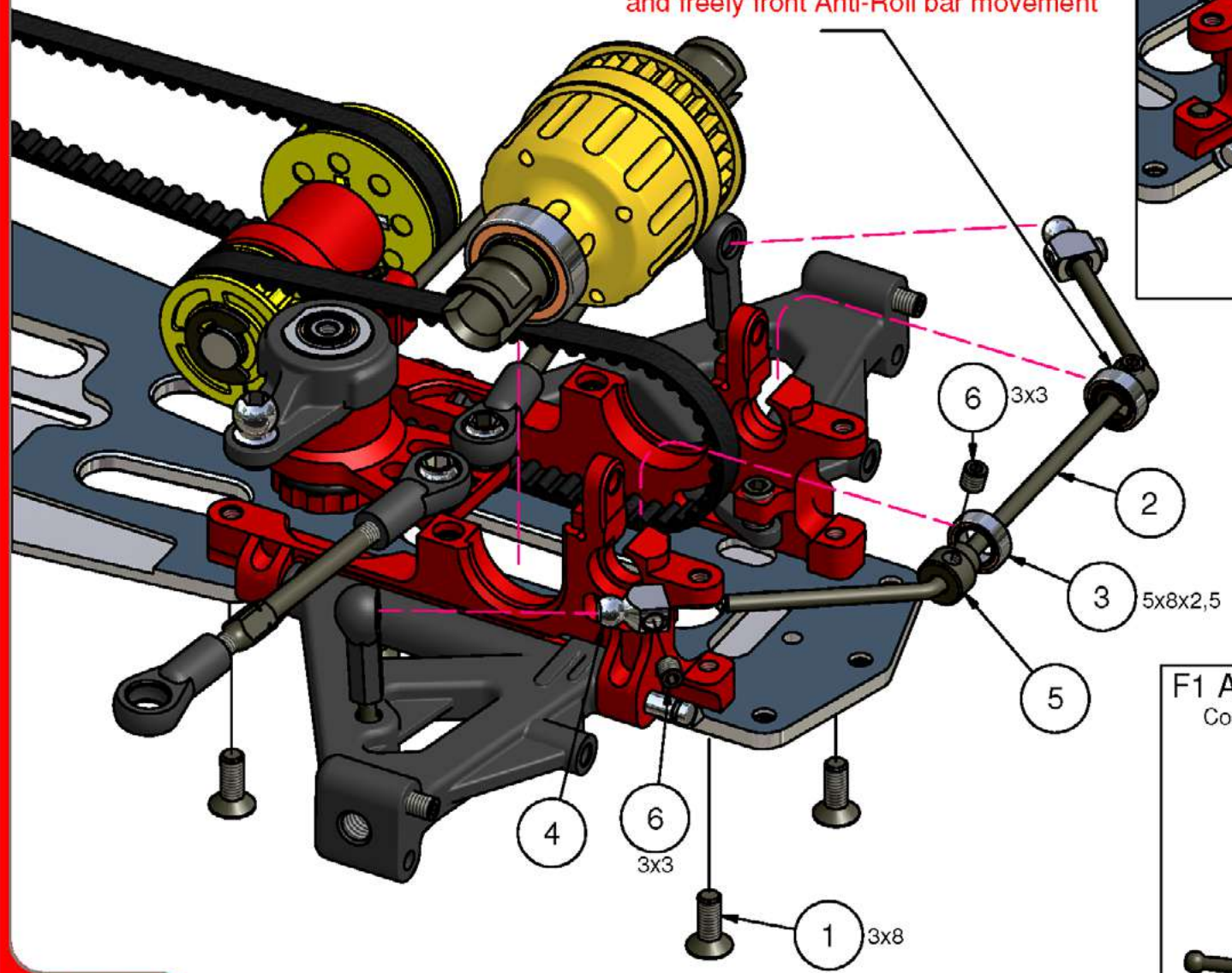


# Step 13.2

## - Front Suspension - BAG 13

Capricorn RC

Note:  
Adjust position for minimum offset  
and freely front Anti-Roll bar movement



| Parts List |    |              |
|------------|----|--------------|
| Rif.       | n° | Code         |
| 1          | 4  | Cap17031     |
| 2          | 1  | Cap18075-2.3 |
| 3          | 2  | Cap16019     |
| 4          | 2  | Cap 2485-2.3 |
| 5          | 2  | Cap18088-2.3 |
| 6          | 4  | Cap17006     |

F1 Anti-Roll bar kit  
Code Cap18012

bar insert  
Code Cap18014-X  
0,8 Soft  
1,0 Medium  
1,2 Hard

Made in Italy

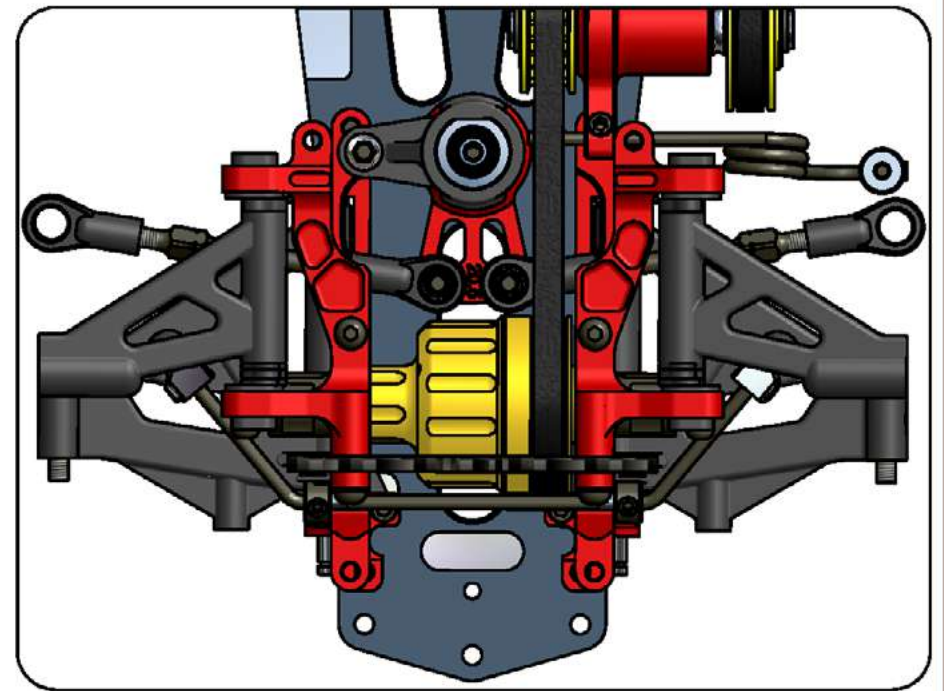
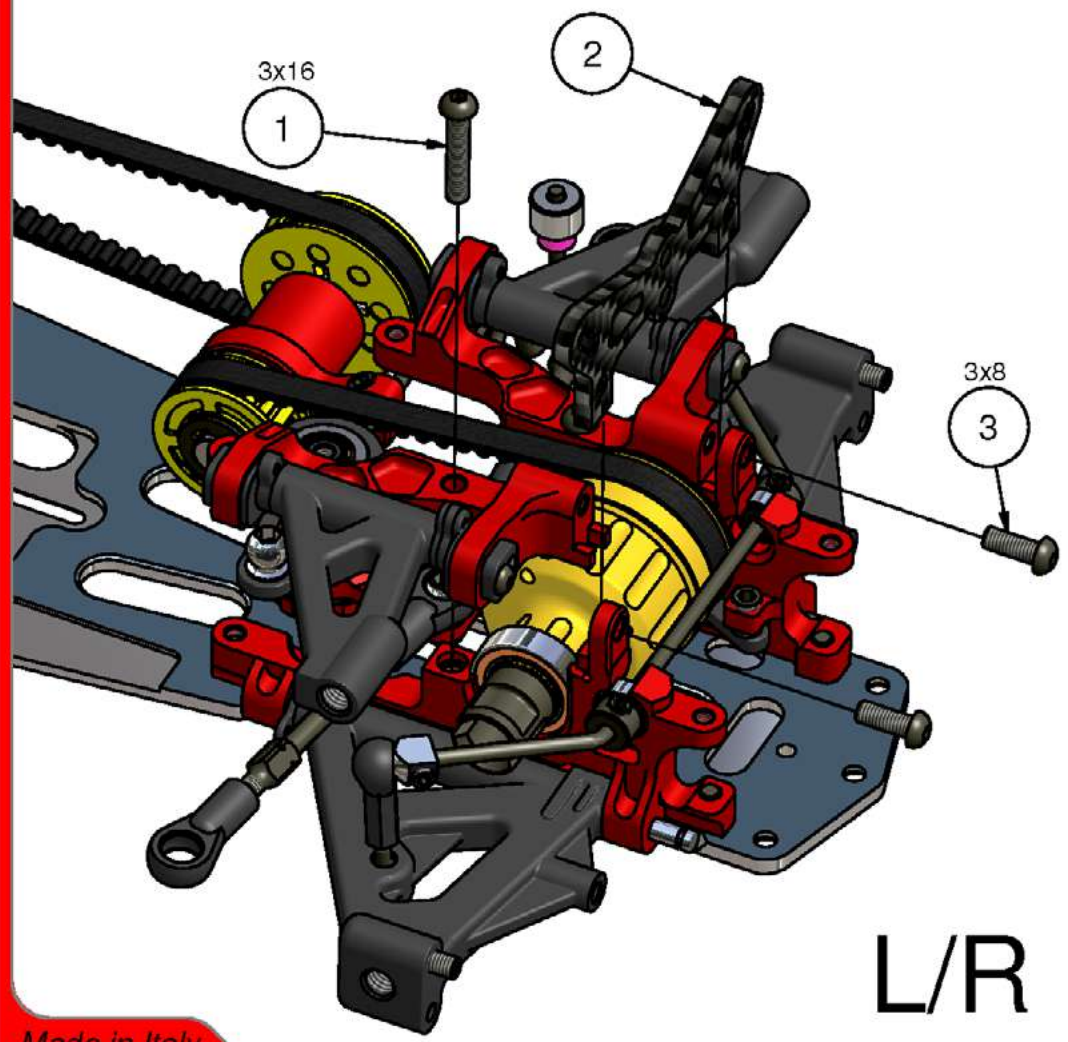
# Step 13.3

## - Front Suspension - BAG 13

Capricorn RC



Big Bore LP Set  
Code Cap18030



| Parts List |    |          |
|------------|----|----------|
| Rif.       | n° | Code     |
| 1          | 2  | Cap17028 |
| 2          | 1  | Cap18136 |
| 3          | 2  | Cap17032 |

L/R

Made in Italy

# Step 13.5

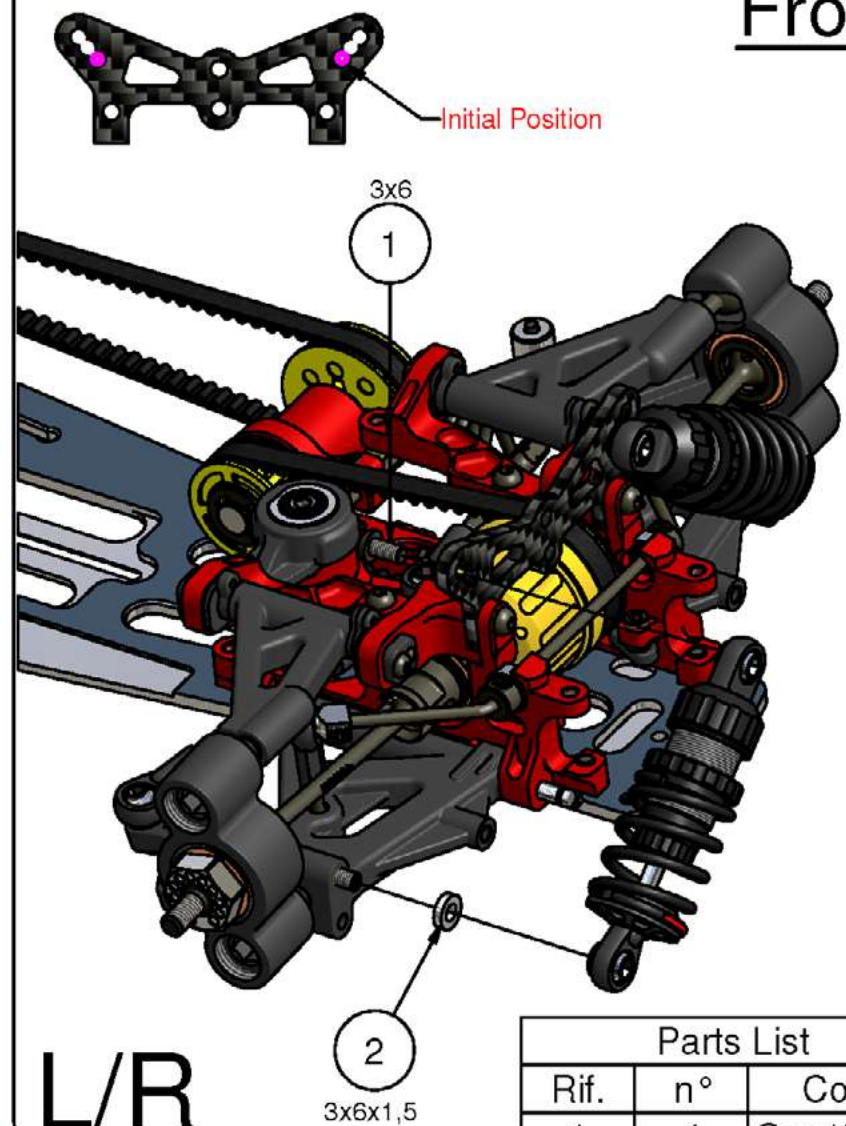
## - Shock Assembly - BAG 13

Capricorn RC

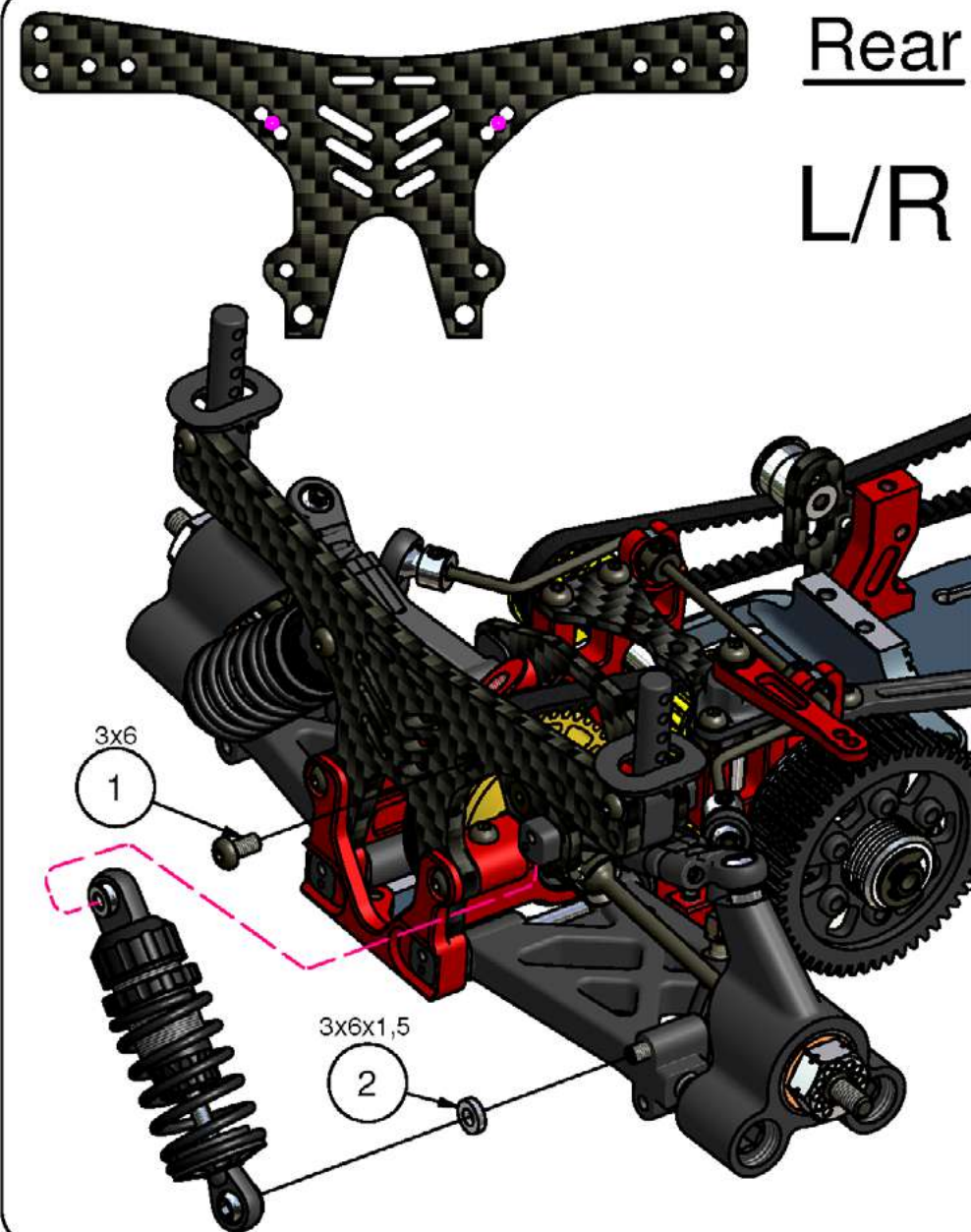
Front

Rear

L/R



| Parts List |    |          |
|------------|----|----------|
| Rif.       | n° | Code     |
| 1          | 4  | Cap17030 |
| 2          | 4  | Cap22019 |

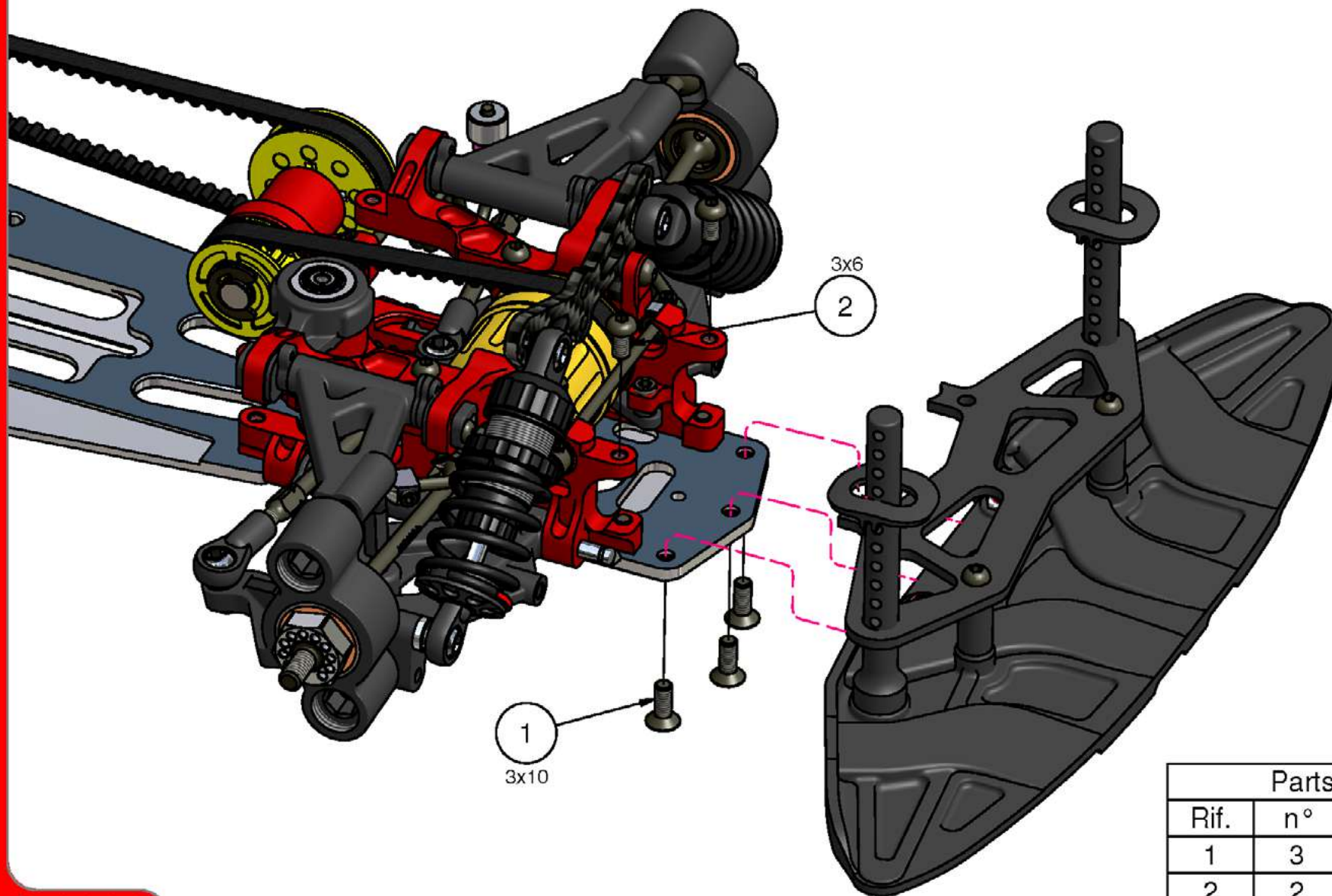


Made in Italy



**Step 13.6** - Bodymounts Assembly -  
BAG 13

*Capricorn RC*

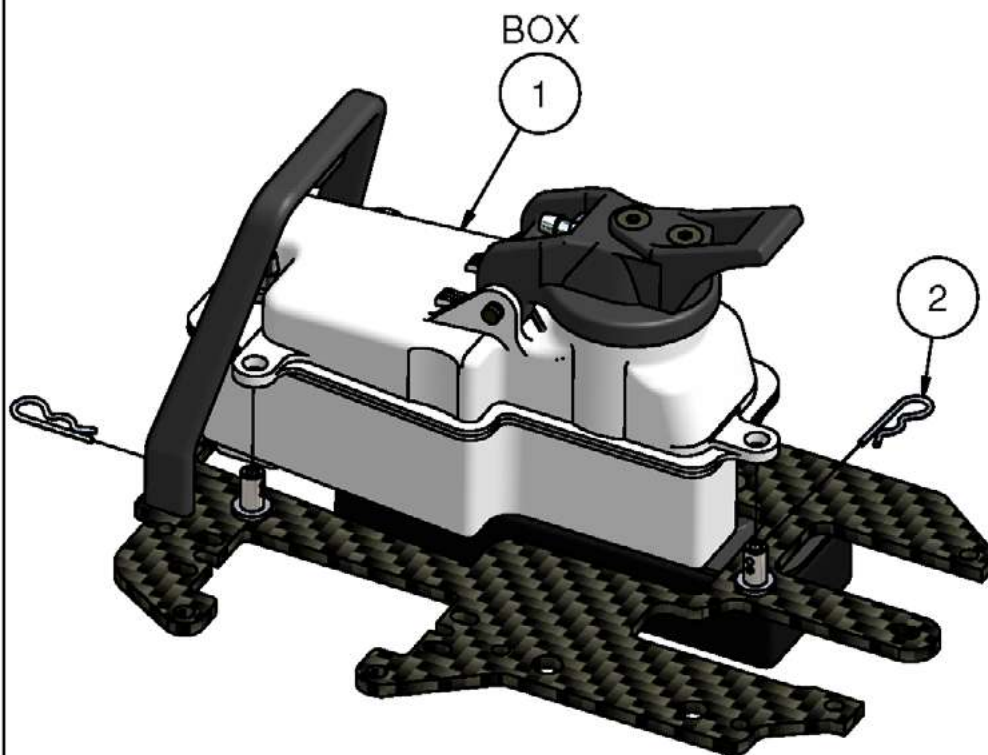
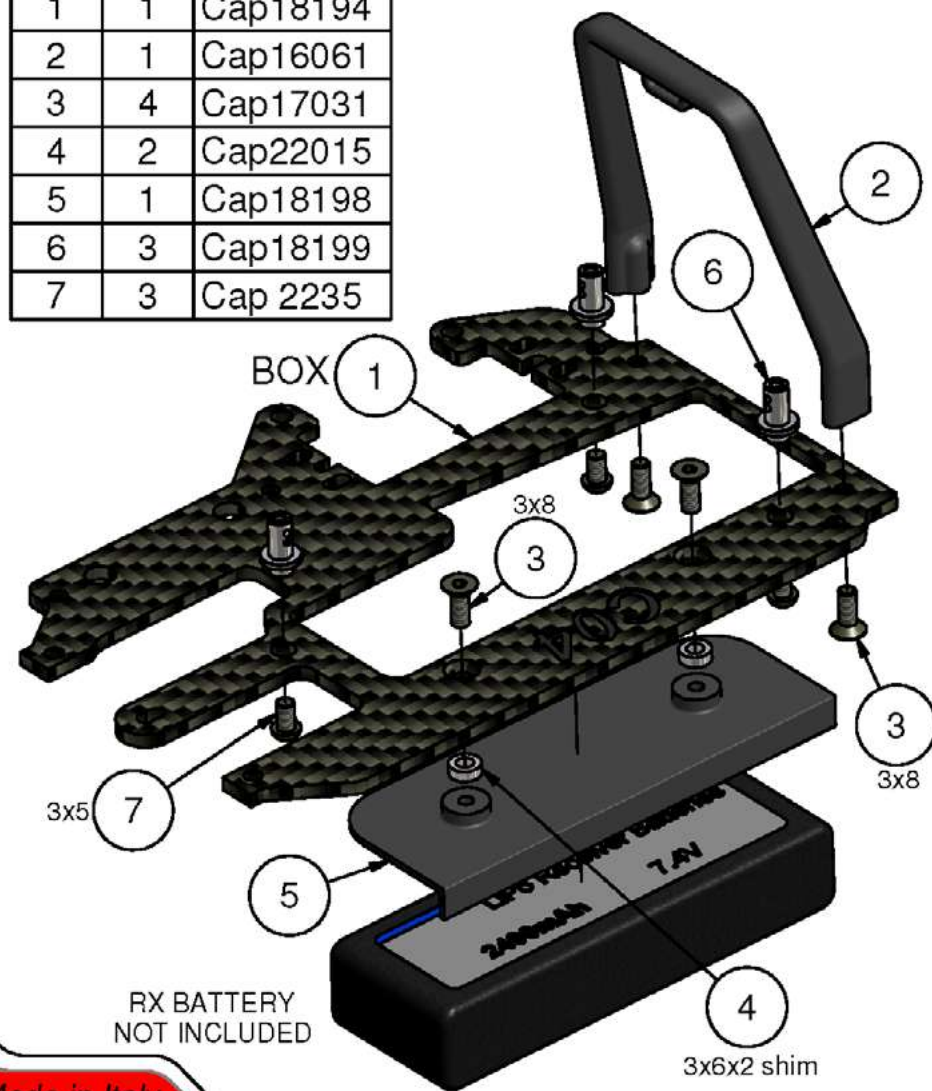


| Parts List |    |          |
|------------|----|----------|
| Rif.       | n° | Code     |
| 1          | 3  | Cap17031 |
| 2          | 2  | Cap17030 |

# Step 14.0 - Fuel Tank & F.F.S. - BAG 14

Capricorn RC

| Parts List |    |          |
|------------|----|----------|
| Rif.       | n° | Code     |
| 1          | 1  | Cap18194 |
| 2          | 1  | Cap16061 |
| 3          | 4  | Cap17031 |
| 4          | 2  | Cap22015 |
| 5          | 1  | Cap18198 |
| 6          | 3  | Cap18199 |
| 7          | 3  | Cap 2235 |



| Parts List |    |          |
|------------|----|----------|
| Rif.       | n° | Code     |
| 1          | 1  | Cap18197 |
| 2          | 3  | Cap27002 |

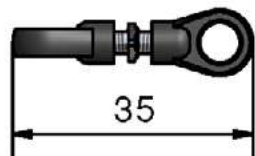
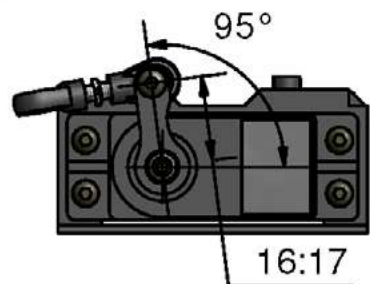
Made in Italy



# Step 14.1

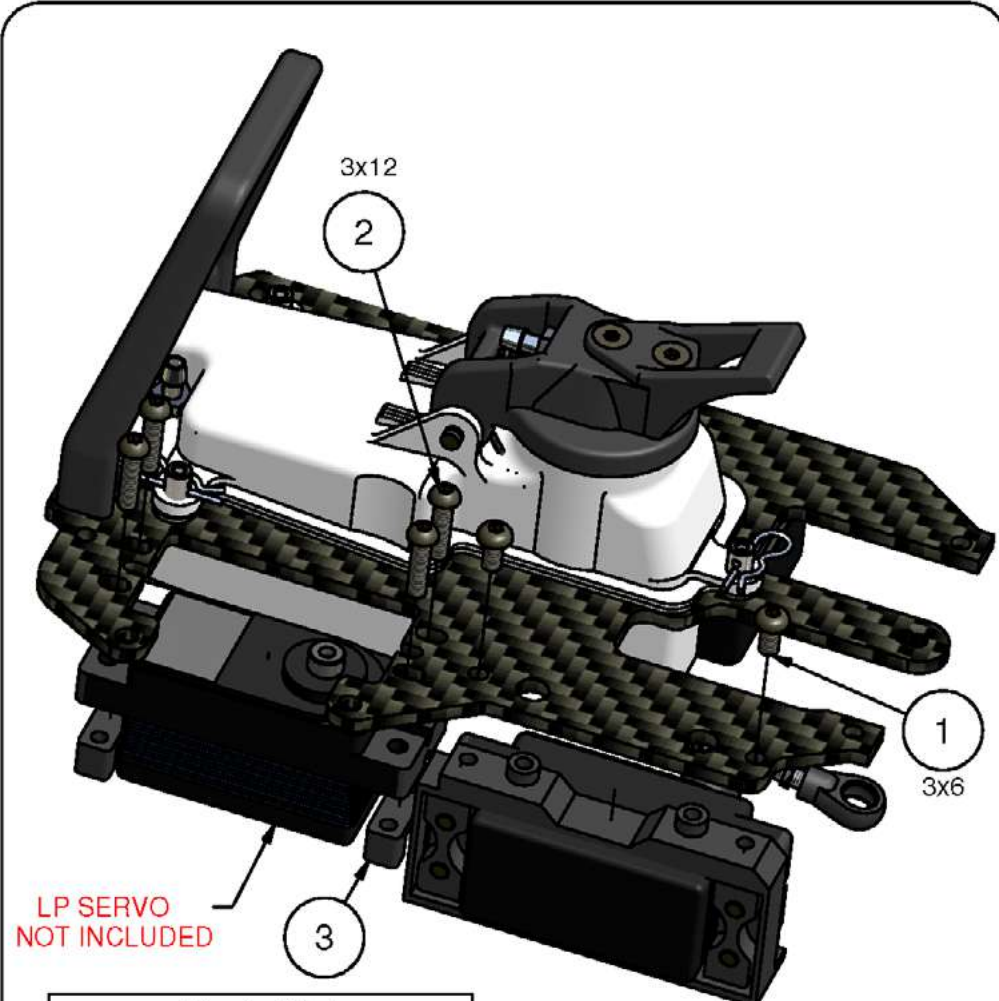
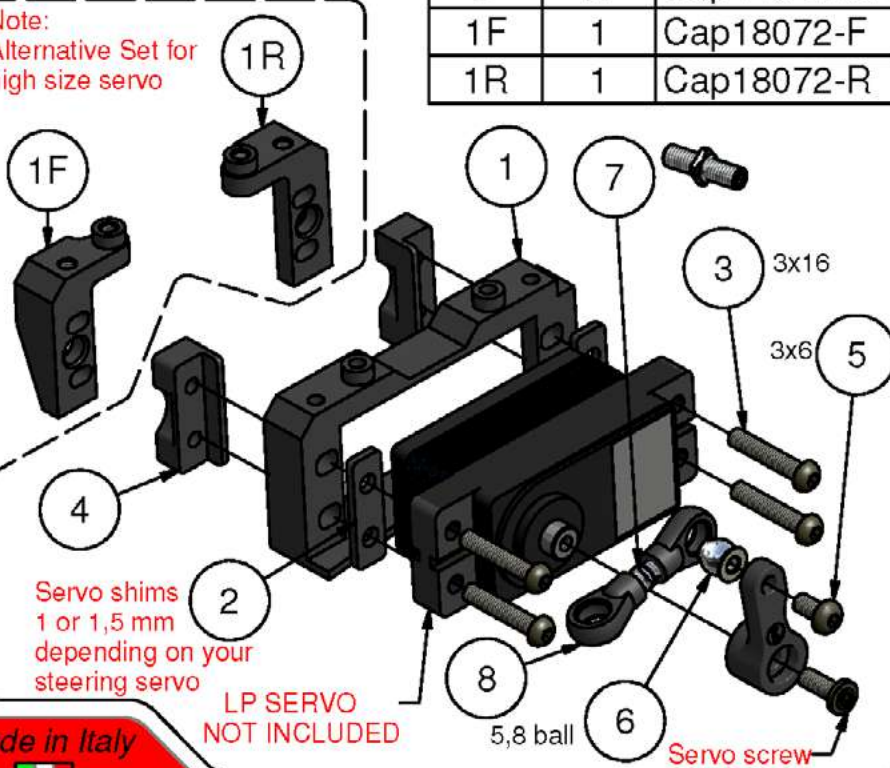
# - Electronics - BAG 14

Capricorn RC



| Parts List |    |            |
|------------|----|------------|
| Rif.       | n° | Code       |
| 1          | 1  | Cap16070-B |
| 2          | 2  | Cap17041   |
| 3          | 4  | Cap17028   |
| 4          | 2  | Cap16048   |
| 5          | 1  | Cap17030   |
| 6          | 1  | Cap18169   |
| 7          | 1  | Cap40463   |
| 8          | 2  | Cap14042KS |
| 1F         | 1  | Cap18072-F |
| 1R         | 1  | Cap18072-R |

Note:  
Alternative Set for  
high size servo



| Parts List |    |          |
|------------|----|----------|
| Rif.       | n° | Code     |
| 1          | 2  | Cap17030 |
| 2          | 4  | Cap17026 |
| 3          | 2  | Cap16048 |

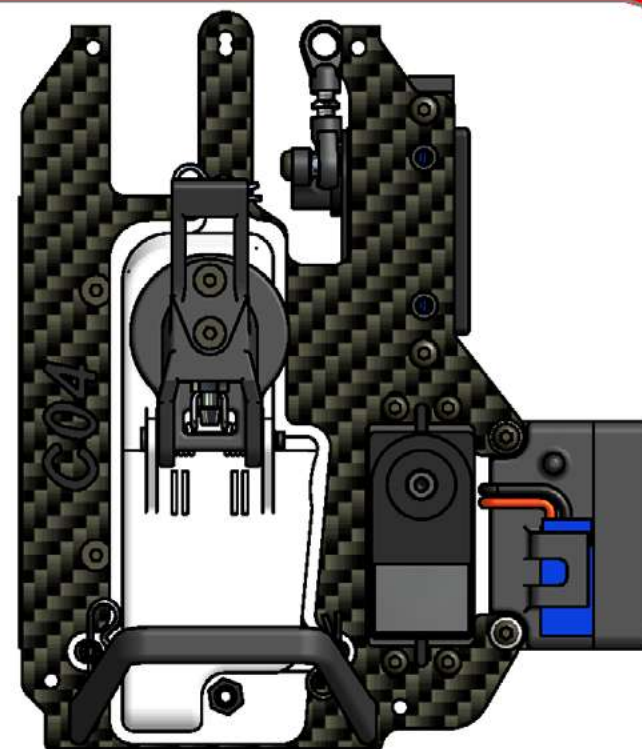
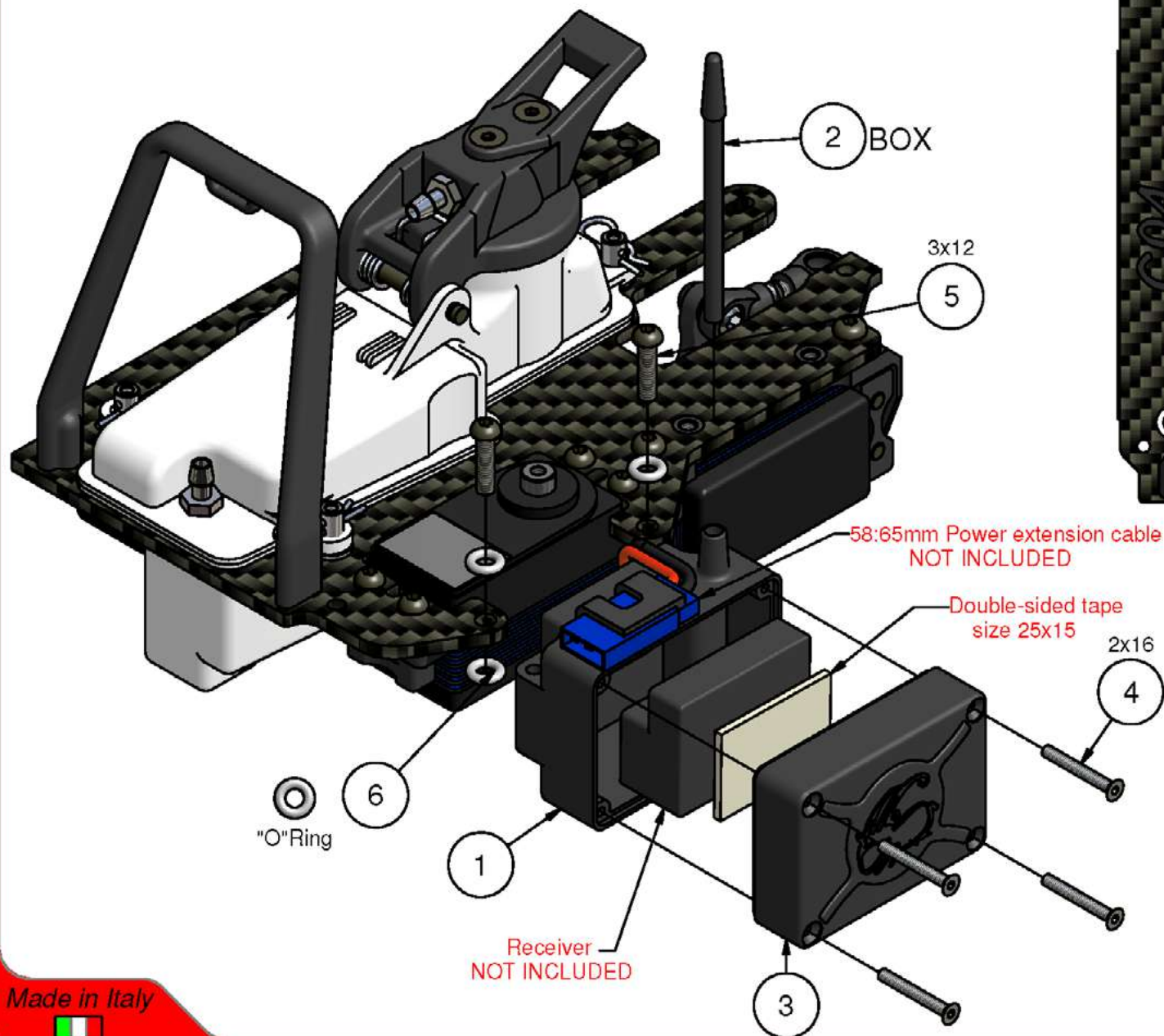
Made in Italy



Step 14.2

- Electronics -  
BAG 14

Capricorn RC



| Parts List |    |          |
|------------|----|----------|
| Rif.       | n° | Code     |
| 1          | 1  | Cap18073 |
| 2          | 1  | Cap14001 |
| 3          | 1  | Cap18073 |
| 4          | 4  | Cap17047 |
| 5          | 2  | Cap17026 |
| 6          | 4  | Cap18512 |

Made in Italy

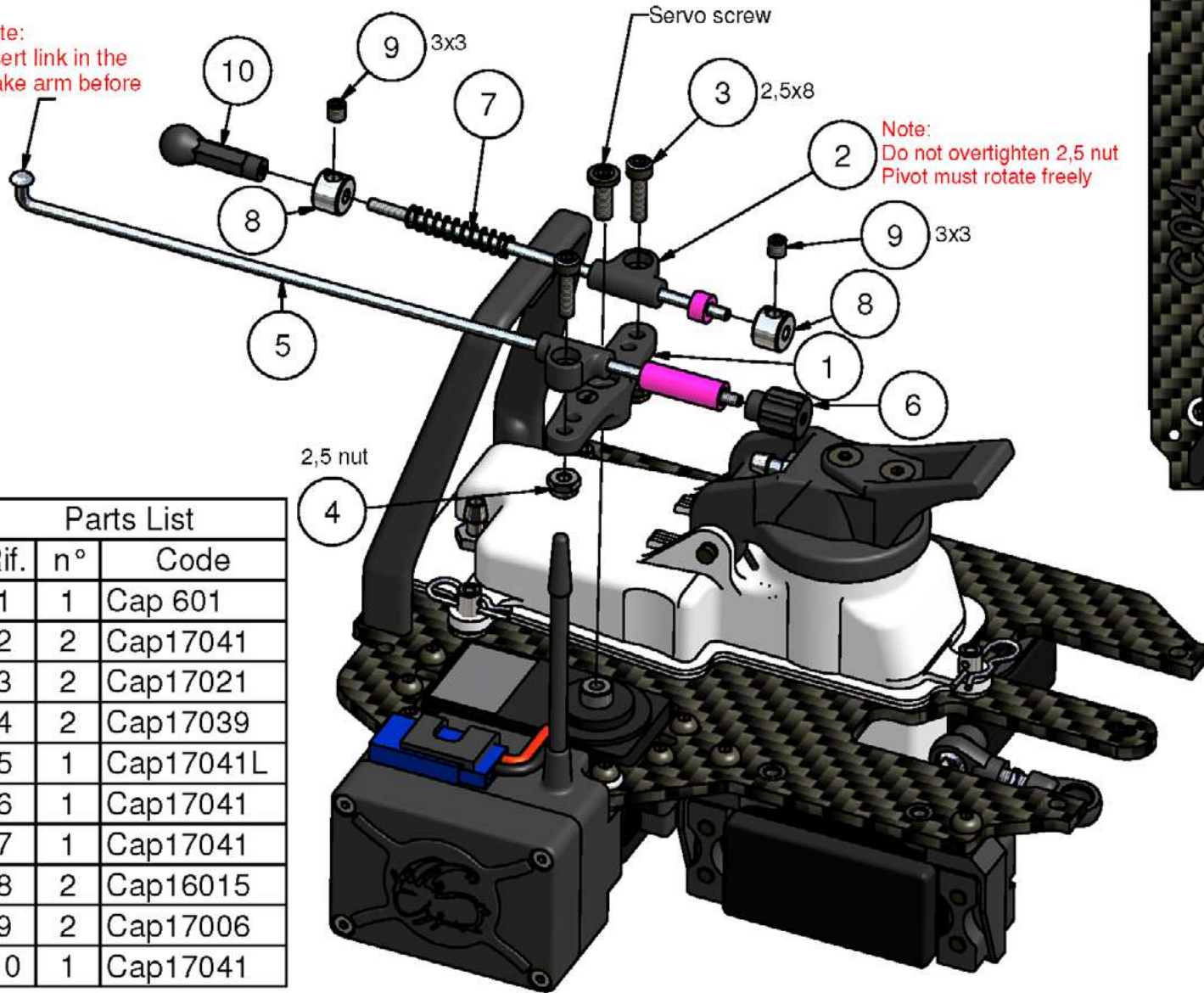




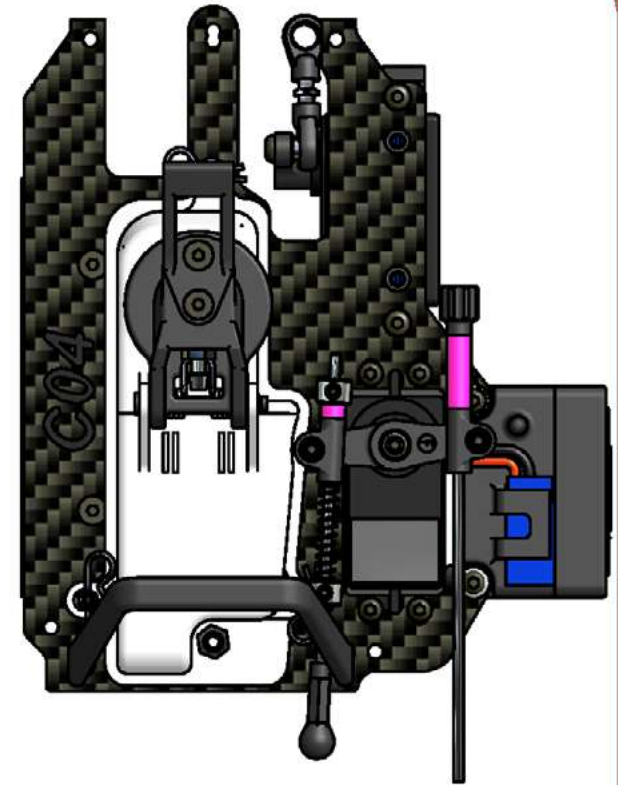
# Step 14.3 - Gas/Brake Linkage - BAG 14

Capricorn RC

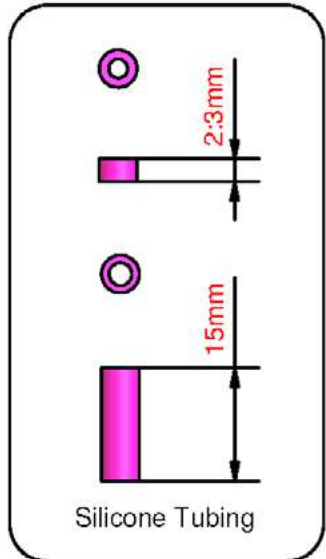
Note:  
Insert link in the  
brake arm before



Note:  
Do not overtighten 2,5 nut  
Pivot must rotate freely



| Parts List |    |           |
|------------|----|-----------|
| Rif.       | n° | Code      |
| 1          | 1  | Cap 601   |
| 2          | 2  | Cap17041  |
| 3          | 2  | Cap17021  |
| 4          | 2  | Cap17039  |
| 5          | 1  | Cap17041L |
| 6          | 1  | Cap17041  |
| 7          | 1  | Cap17041  |
| 8          | 2  | Cap16015  |
| 9          | 2  | Cap17006  |
| 10         | 1  | Cap17041  |



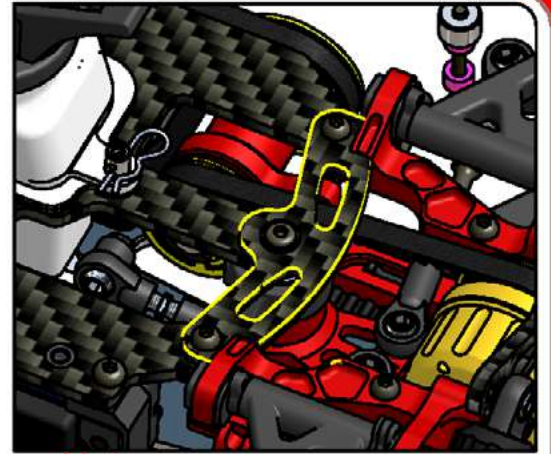
Made in Italy



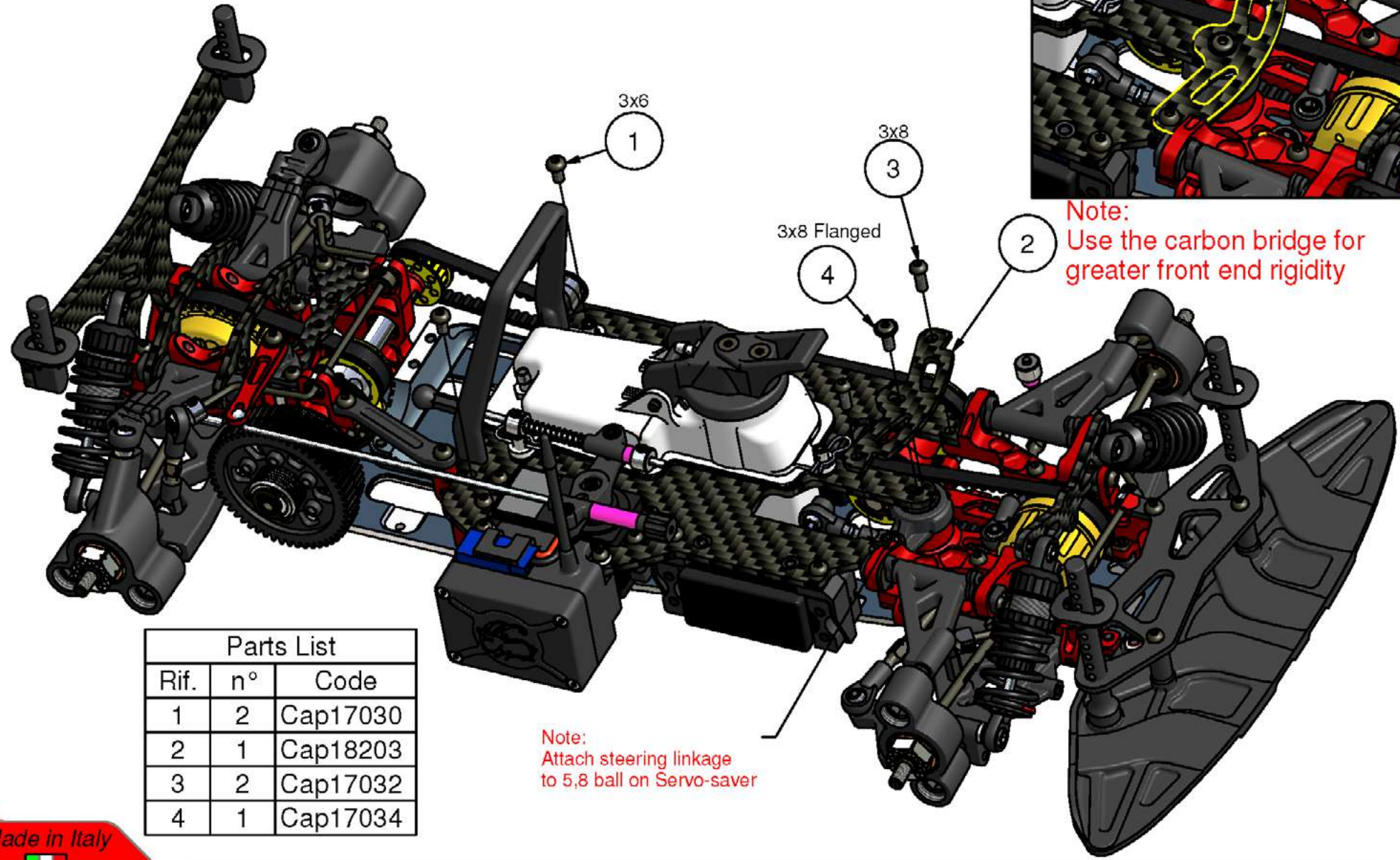
# Step 14.4

## - Radio plate assembly - BAG 14

Capricorn RC



Note:  
Use the carbon bridge for  
greater front end rigidity



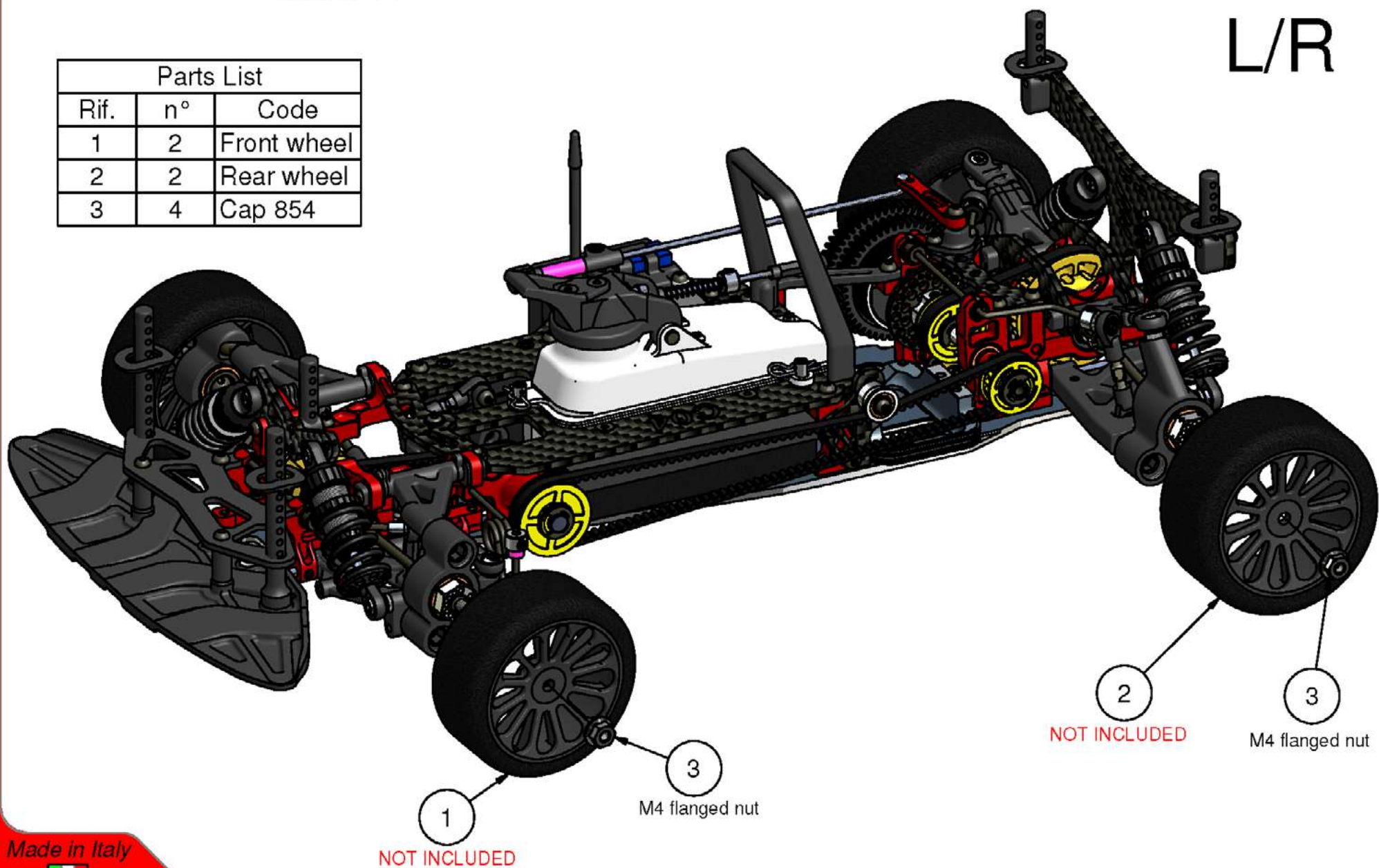
| Parts List |    |          |
|------------|----|----------|
| Rif.       | n° | Code     |
| 1          | 2  | Cap17030 |
| 2          | 1  | Cap18203 |
| 3          | 2  | Cap17032 |
| 4          | 1  | Cap17034 |

Note:  
Attach steering linkage  
to 5,8 ball on Servo-saver

**Step 14.5** - Wheels assembly -  
BAG 14

*Capricorn RC*

| Parts List |    |             |
|------------|----|-------------|
| Rif.       | n° | Code        |
| 1          | 2  | Front wheel |
| 2          | 2  | Rear wheel  |
| 3          | 4  | Cap 854     |



L/R

2  
NOT INCLUDED

3  
M4 flanged nut

1  
NOT INCLUDED

3  
M4 flanged nut

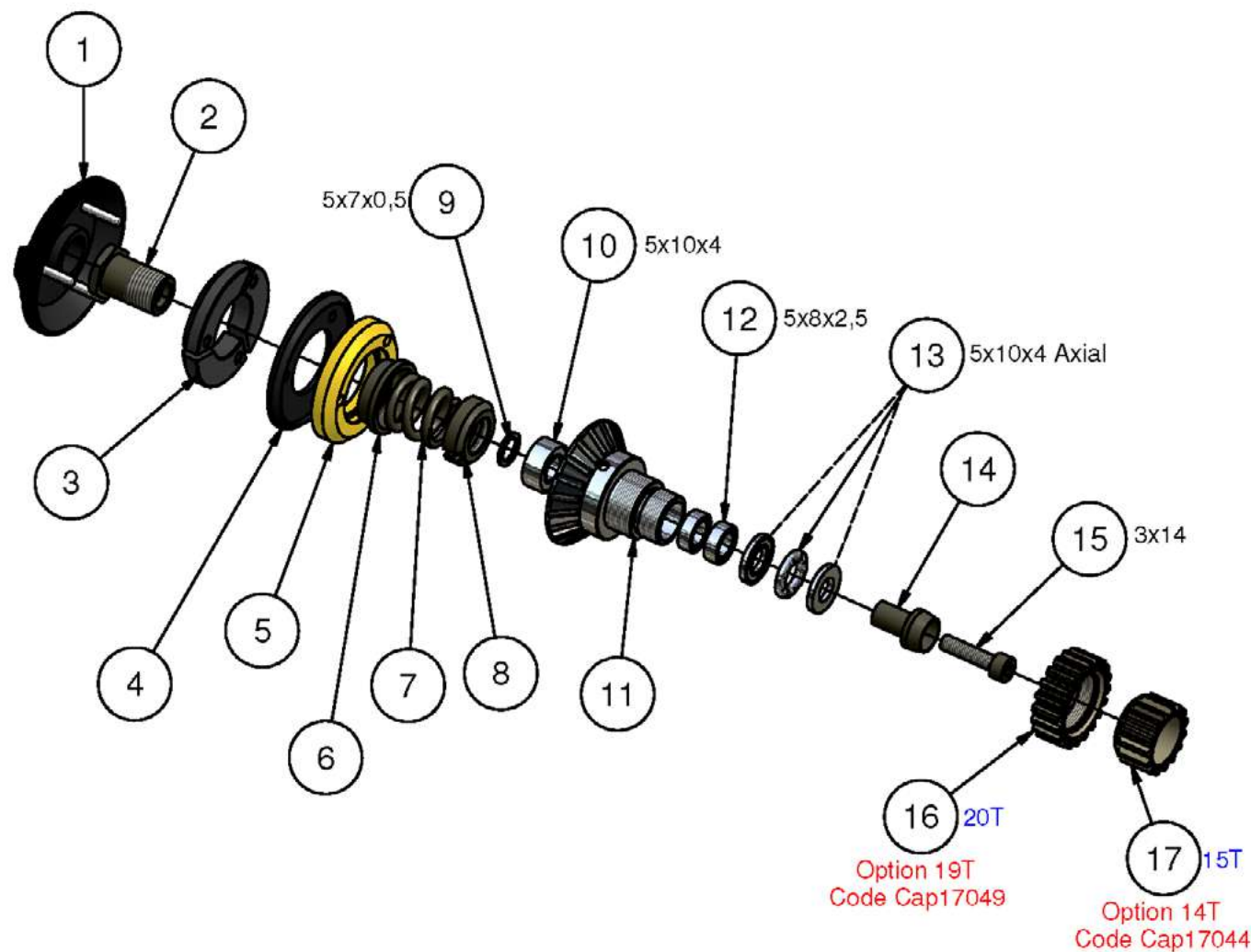
Made in Italy



# Step 15.0

## - Clutch - BAG 15

Capricorn RC



Parts List

| Rif. | n° | Code        |
|------|----|-------------|
| 1    | 1  | Cap 405WC   |
| 2    | 1  | Cap 408     |
| 3    | 1  | Cap 414     |
| 4    | 1  | Cap 411M08  |
| 5    | 1  | Cap 403-08  |
| 6    | 1  | Cap 410WC   |
| 7    | 1  | Cap 417     |
| 8    | 1  | Cap 409     |
| 9    | 3  | Cap 434-0,5 |
| 10   | 1  | Cap 413     |
| 11   | 1  | Cap407A     |
| 12   | 2  | Cap 413     |
| 13   | 1  | Cap 412     |
| 14   | 1  | Cap 406-08  |
| 15   | 1  | Cap 406-08  |
| 16   | 1  | Cap17050    |
| 17   | 1  | Cap17045    |

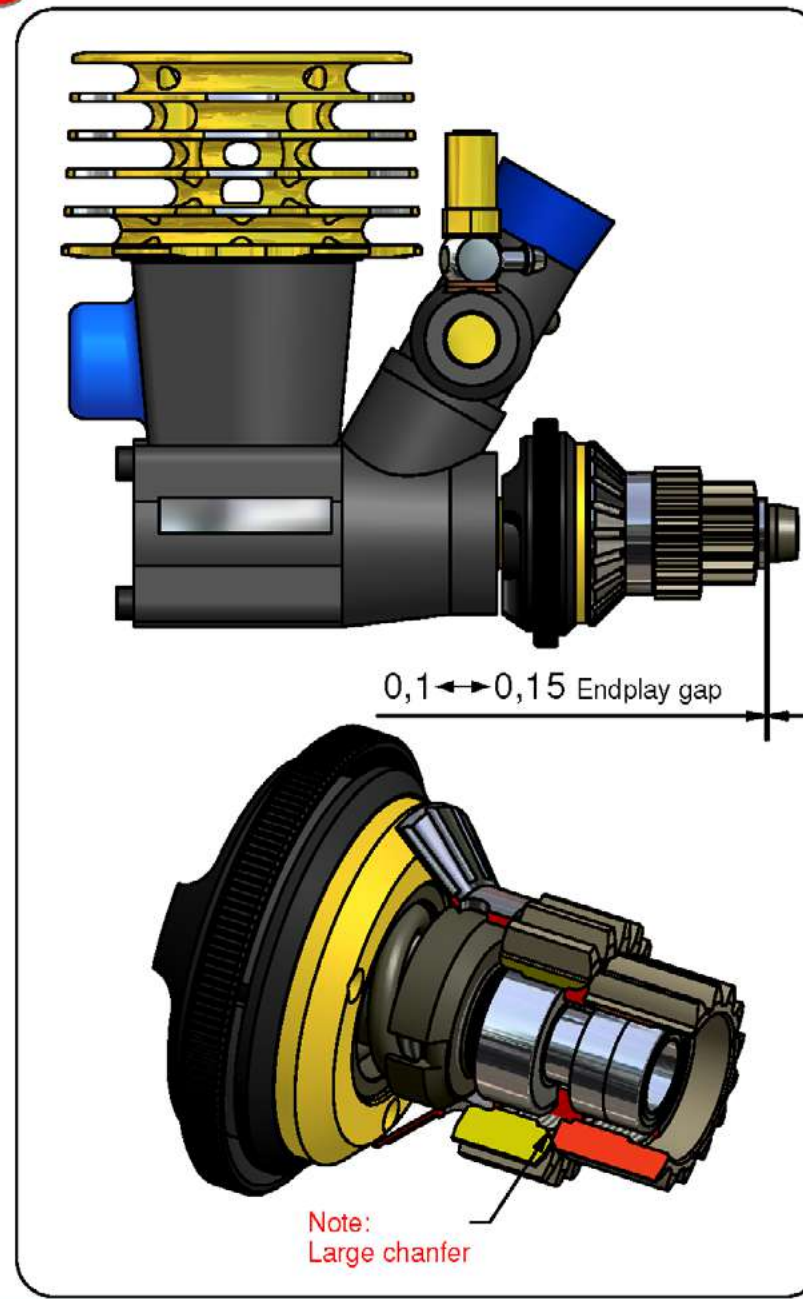
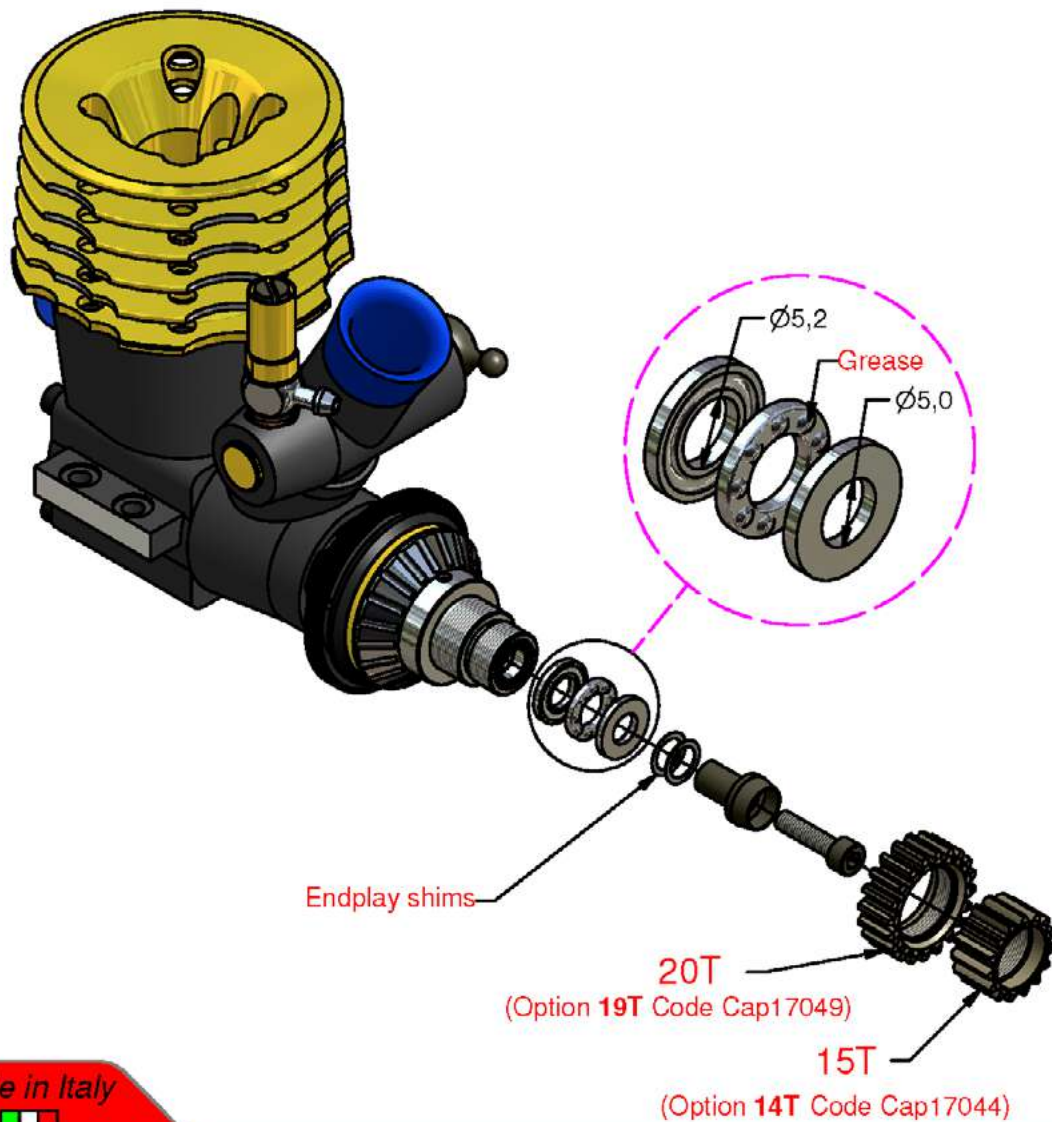
Made in Italy



# Step 15.4

# - Clutch - BAG 15

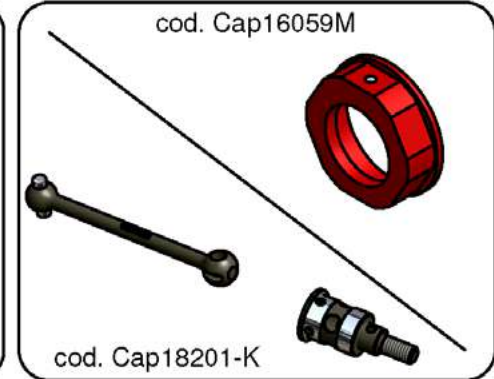
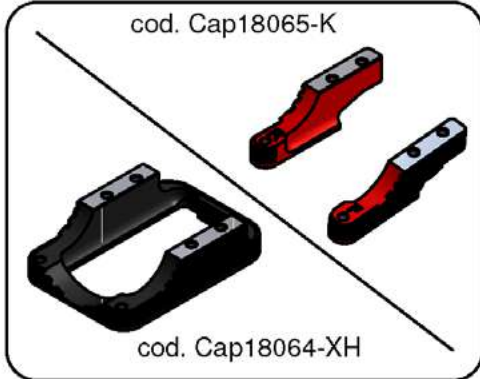
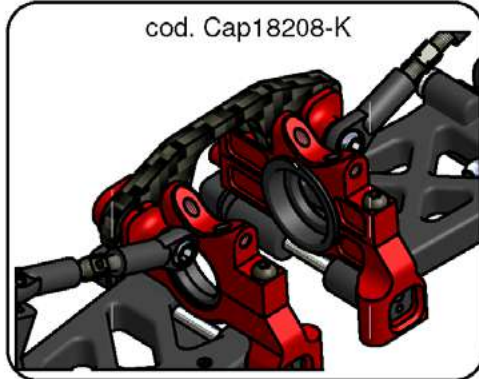
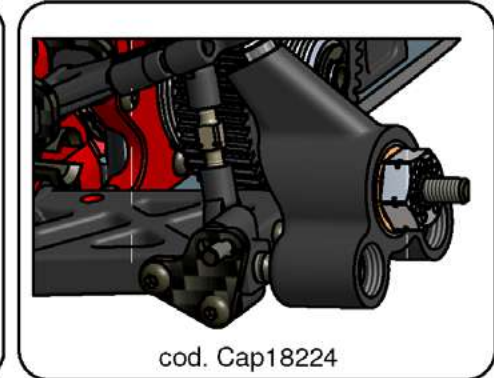
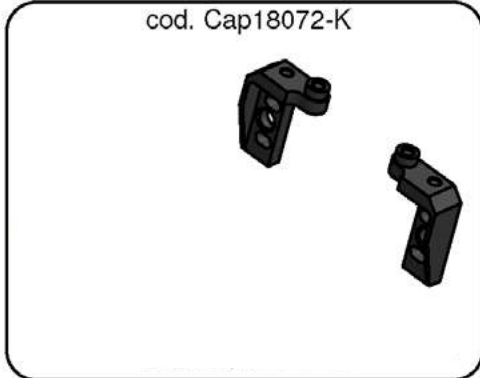
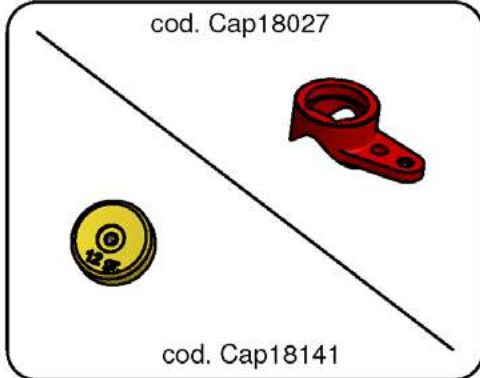
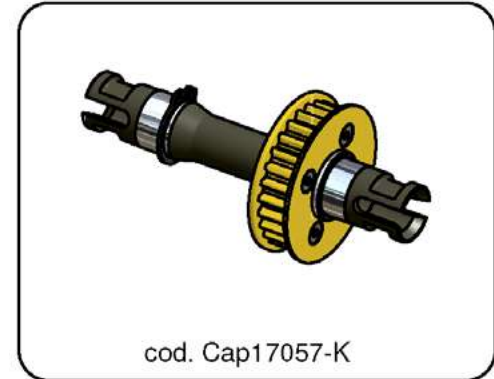
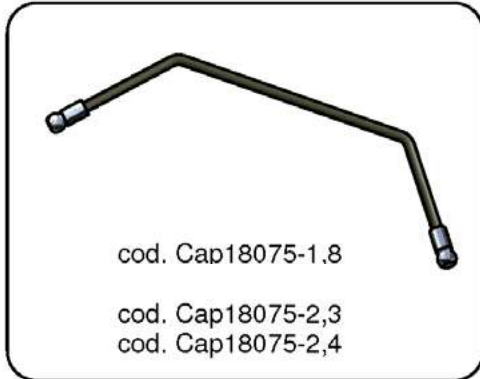
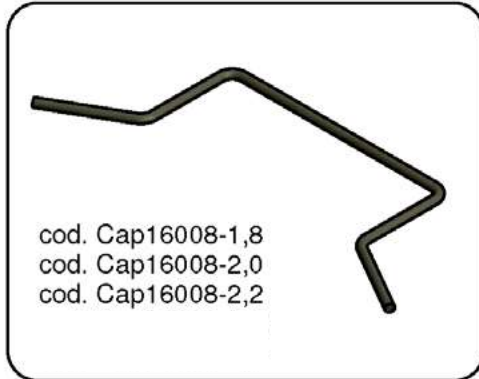
# Capricorn RC



Made in Italy

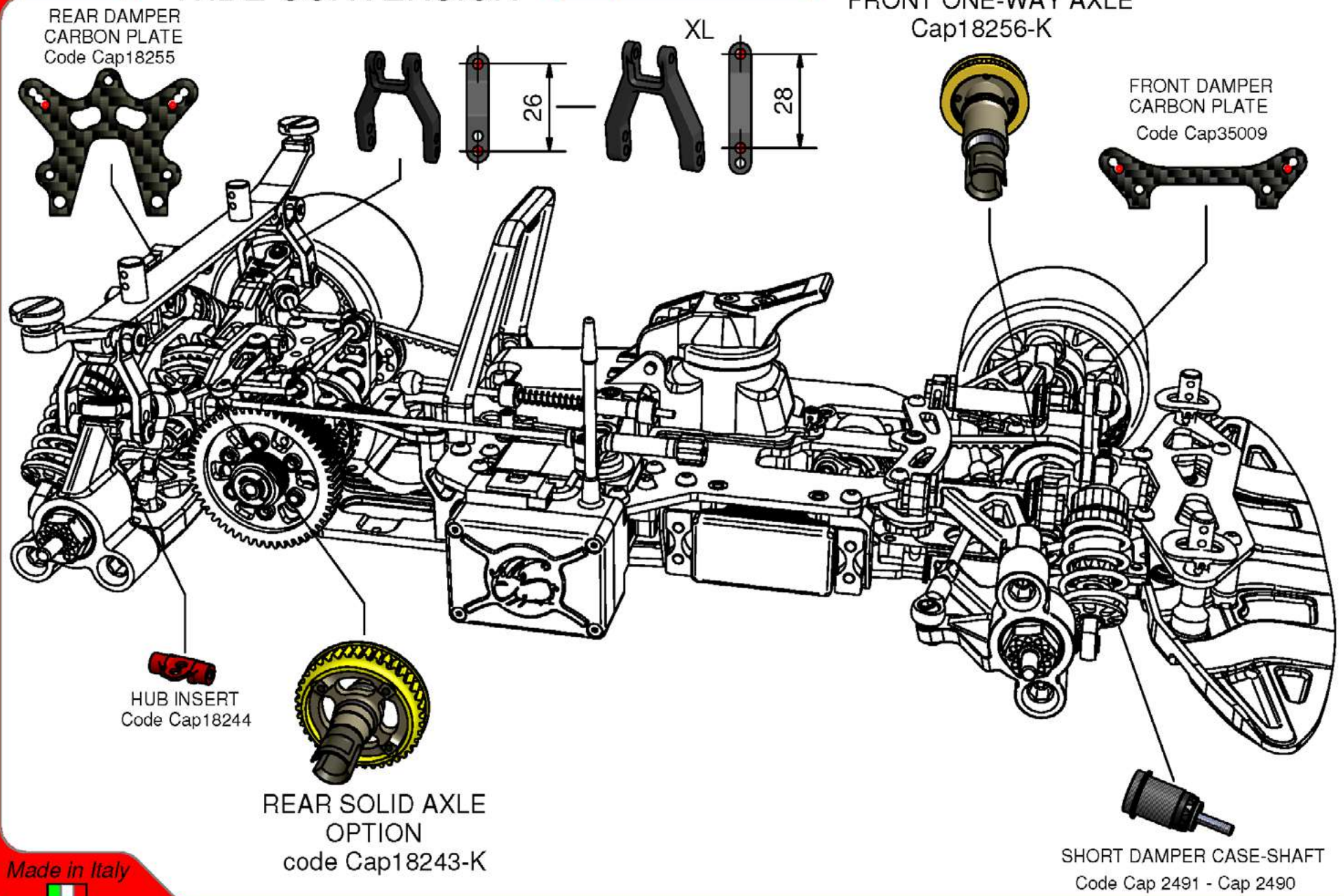


- OPTION PARTS - *Capricorn RC*



**Step 16.0**

**- WIDE CONVERSION -** *Capricorn RC*



REAR DAMPER  
CARBON PLATE  
Code Cap18255

XL

26

28

FRONT ONE-WAY AXLE  
Cap18256-K

FRONT DAMPER  
CARBON PLATE  
Code Cap35009

HUB INSERT  
Code Cap18244

REAR SOLID AXLE  
OPTION  
code Cap18243-K

SHORT DAMPER CASE-SHAFT  
Code Cap 2491 - Cap 2490

# Step 16.1

# Capricorn RC

| Parts List |    |          |
|------------|----|----------|
| Rif.       | n° | Code     |
| 1          | 1  | Cap18250 |
| 2          | 2  | Cap 599  |
| 3          | 2  | Cap18253 |
| 4          | 2  | Cap17030 |
| 5          | 2  | Cap18249 |
| 6          | 1  | Cap18254 |
| 7          | 2  | Cap18024 |
| 8          | 2  | Cap18251 |
| 8/A        | 2  | Cap18252 |
| 9          | 2  | Cap18246 |
| 10         | 2  | Cap 2605 |
| 11         | 2  | Cap17006 |
| 12         | 4  | Cap18245 |
| 12/A       | 4  | Cap18248 |
| 13         | 1  | Cap18247 |
| 14         | 1  | Cap17032 |
| 15         | 1  | Cap18224 |

