



Form fields for Race, Track, Name, City / Country, Date.

Form fields for Air Temp., Track Temp., Qualifying, Best LAP, Final Position, Race Length.

TRACK CONDITION checkboxes: Carpet, Asphalt, Technical, Mixed, Fast.

TRACTION checkboxes: Low, Medium, High.

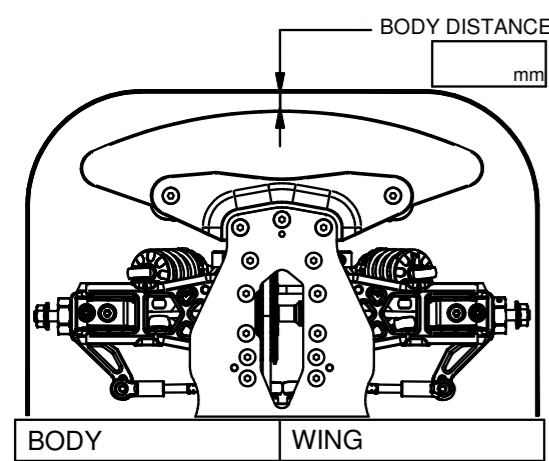
FRONT and REAR GEAR DIFF. and SPOOL settings.

GEAR NUMBER, PINION, SPUR GEAR, INT. RATIO, DRIVE RATIO.

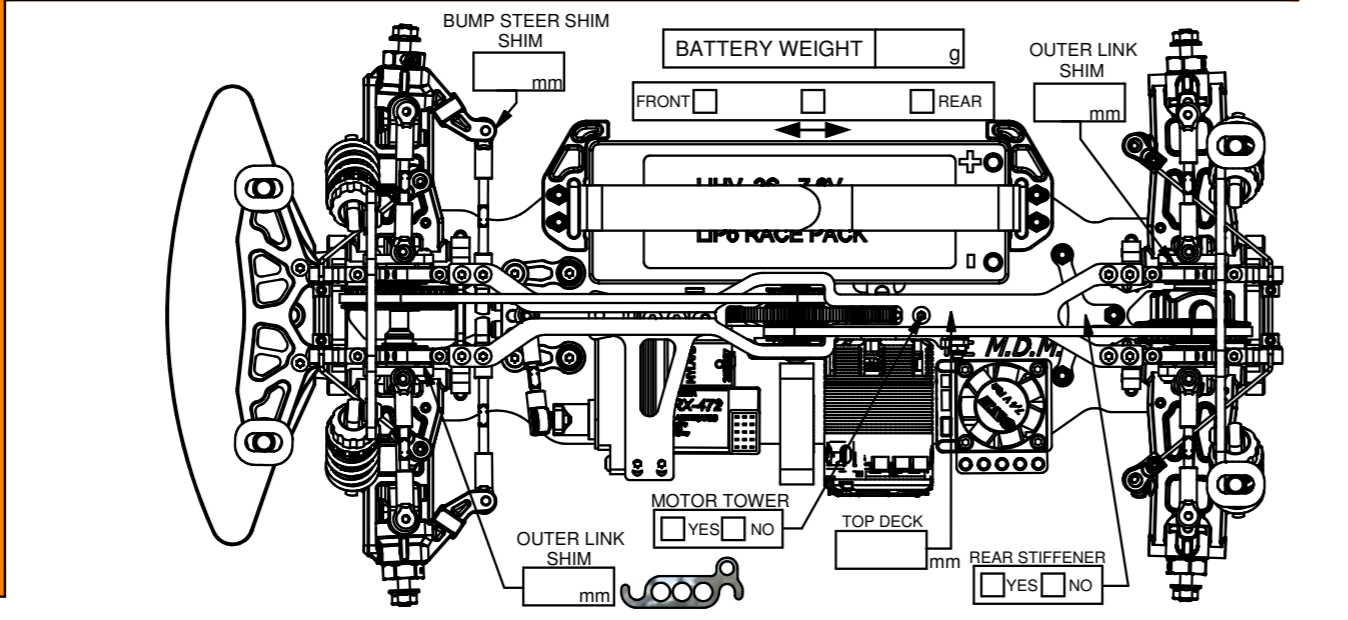
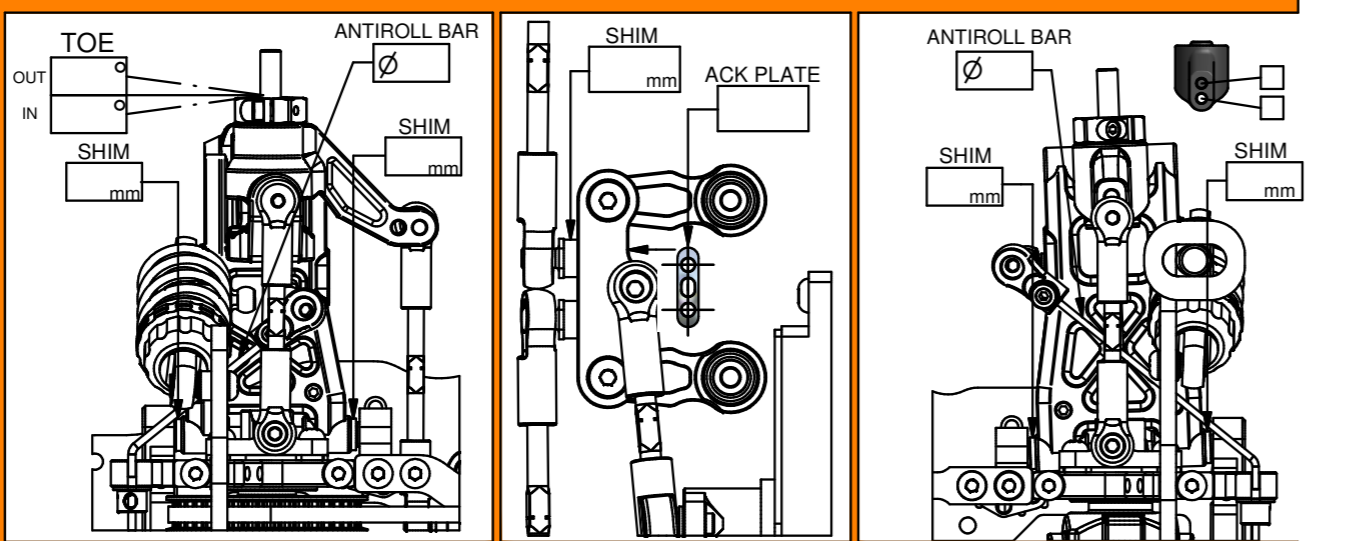
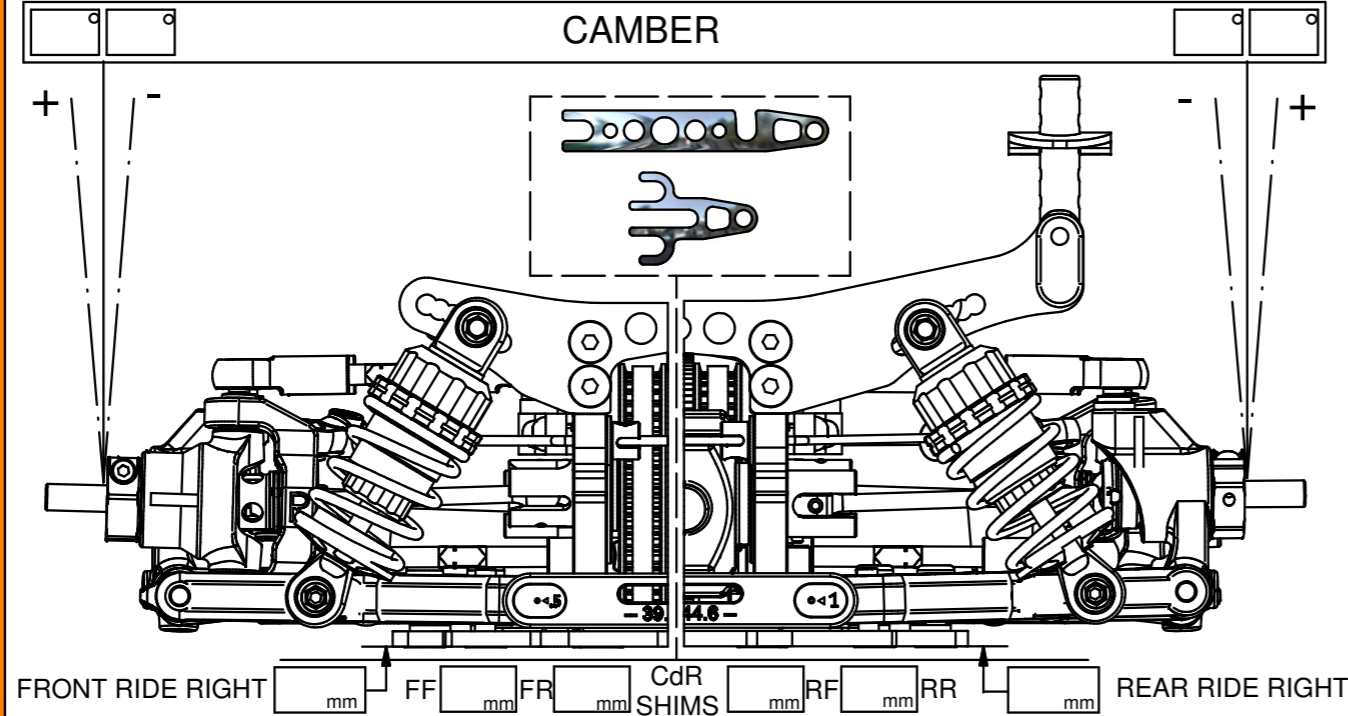
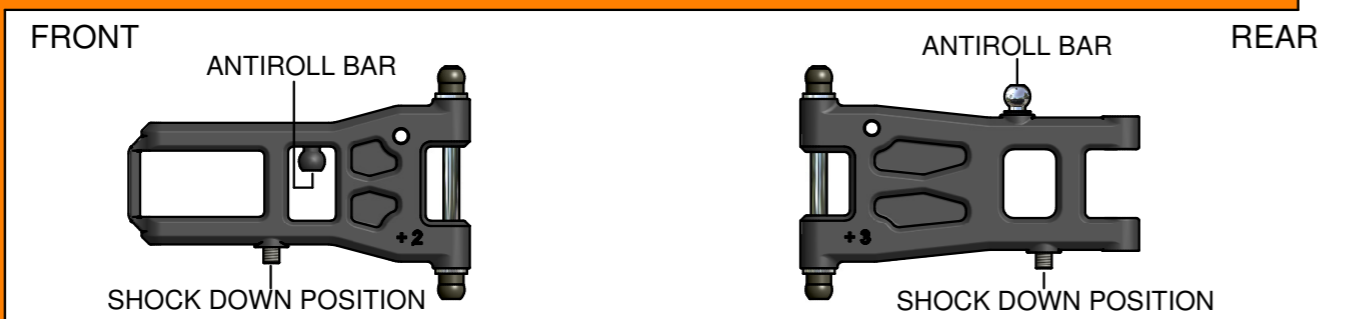
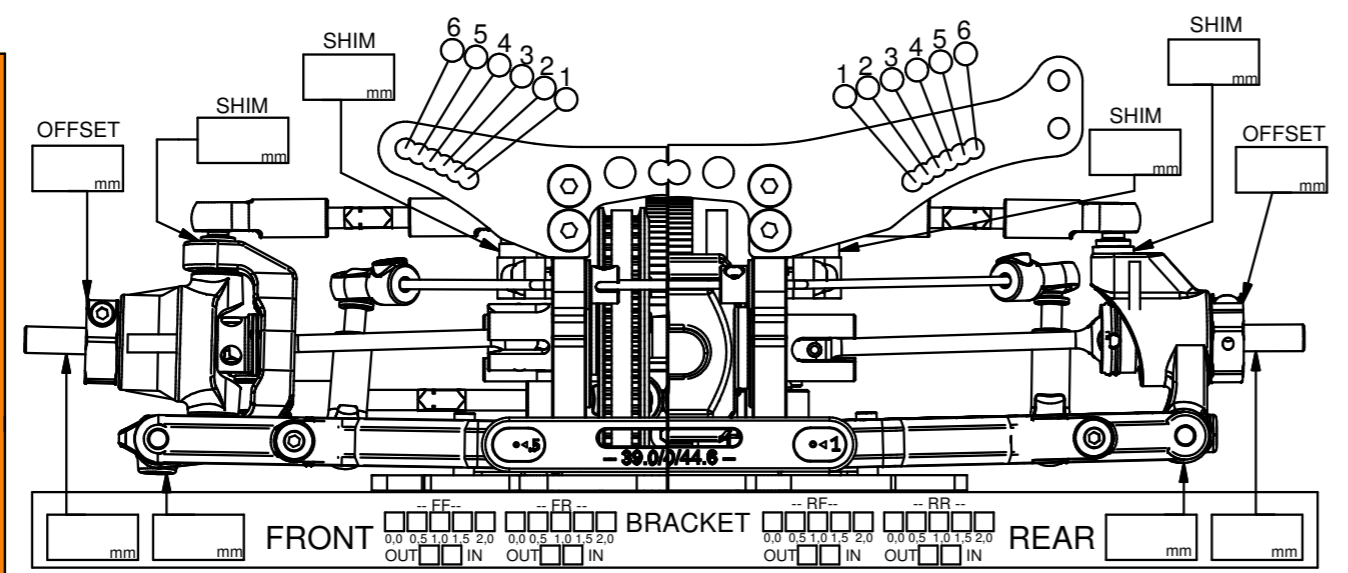
FRONT and REAR OIL, HOLE, SPRING settings.

TIRES, RIM, ADDITIVE fields.

SHASSIS TYPE checkboxes: Carbon, Aluminium, ATS, ATS SHIM.



NOTE section with horizontal lines for text.



ADDITIONAL NOTES

Large area with horizontal lines for additional notes.