



LabF1-02 EVO Instruction Manual rel. 1.4  
(03/2021)

- Symbols -

*Capricorn RC*

**L/R**

Symmetrical  
Mounting

**2x**

Assemble as many  
times as specified

1 2  
3 4

Assemble in the  
specified order

Note:  
TEXT....

Be Careful

## **WARNING**

This radio control model is not toy.

First time builders should seek the advice of experienced modellers before beginning assembly and/or if they do not fully understand any part of the construction. We highly advise to read the instruction manual before assembly, and to always keep it at hand for reference. Take care before operating this model; you are responsible for its assembly and safe operation. The extreme performance of this model could be underestimated by inexperienced drivers and could damage objects and/or people. Assemble this kit only in places out of children's reach!

CAPRICORN RC is not responsible for any damage or harm caused by improper use or assembly.

CAPRICORN RC and its distribution network are not responsible for any damage caused by shipping or handling.

Eventual parts missing from the kit or flawed must be reported within two weeks of purchase to your local hobby shop or distributor. For best performance, we highly advise to only use original authentic CAPRICORN RC parts.

For customer support and service please contact your local hobby shop or agent from whom you purchased this item.

Contents of box may slightly differ from the pictures shown. Construction tools, body, tires, radio system and servo, ESC, motor and battery pack are NOT INCLUDED unless otherwise stated.

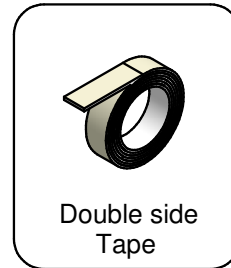
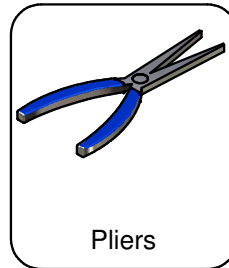
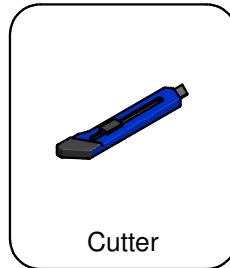
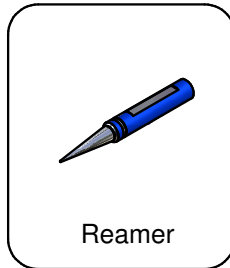
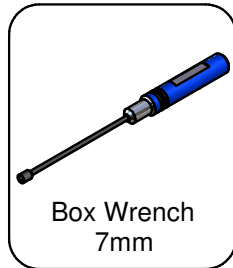
Made in Italy



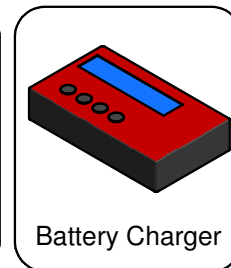
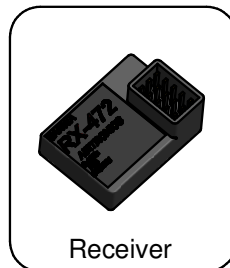
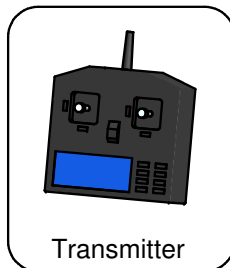
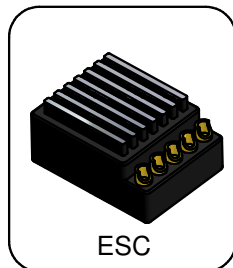
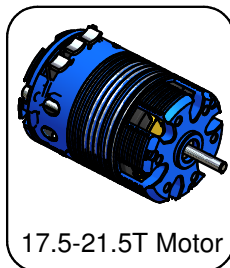
- Tools & Equipment -

Capricorn RC

## *Tools needed for assembly (NOT INCLUDED)*



## *Parts for model completion and Start (NOT INCLUDED)*



Also required: Tires - F1 Polycarbonat body

Made in Italy

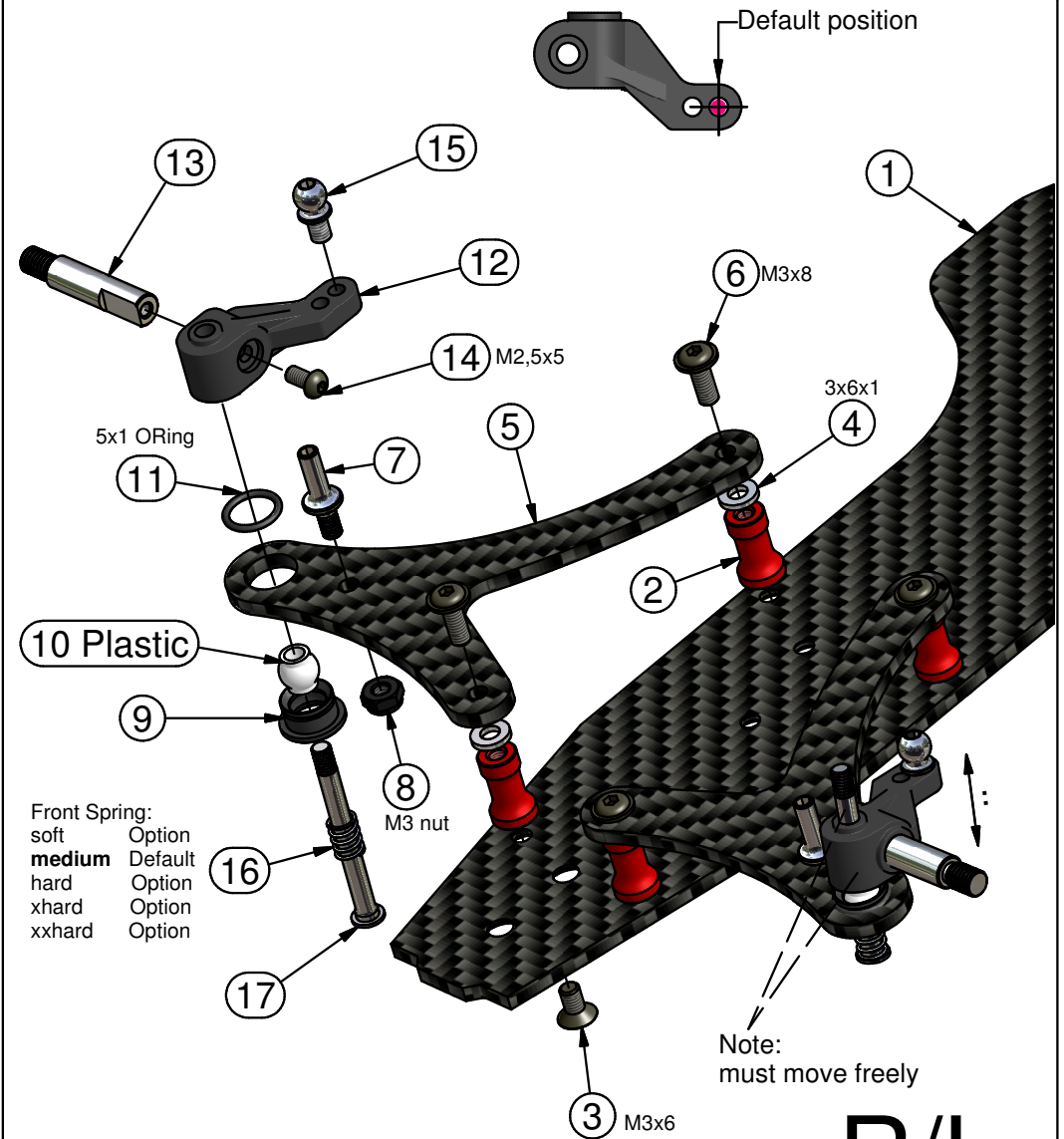
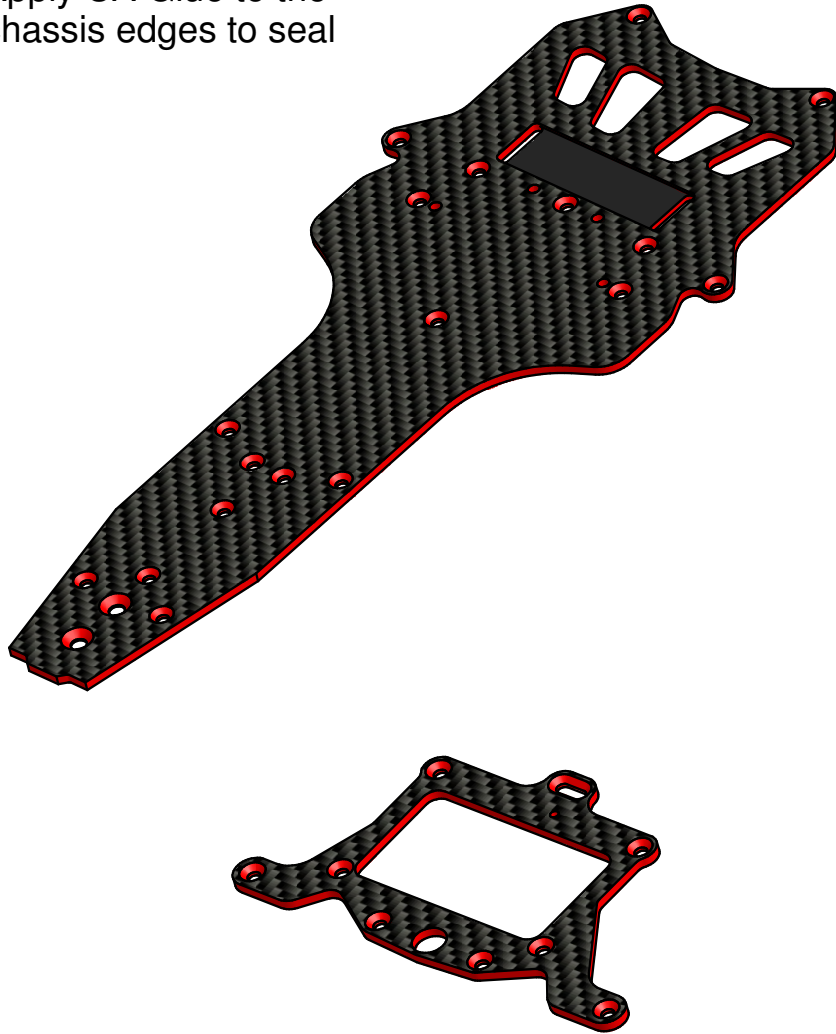


# Step 1.0

## - Front Assembly - BAG 1

Capricorn RC

Note:  
Apply CA Glue to the  
chassis edges to seal



Front Spring:  
soft Option  
**medium** Default  
hard Option  
xhard Option  
xxhard Option

R/L

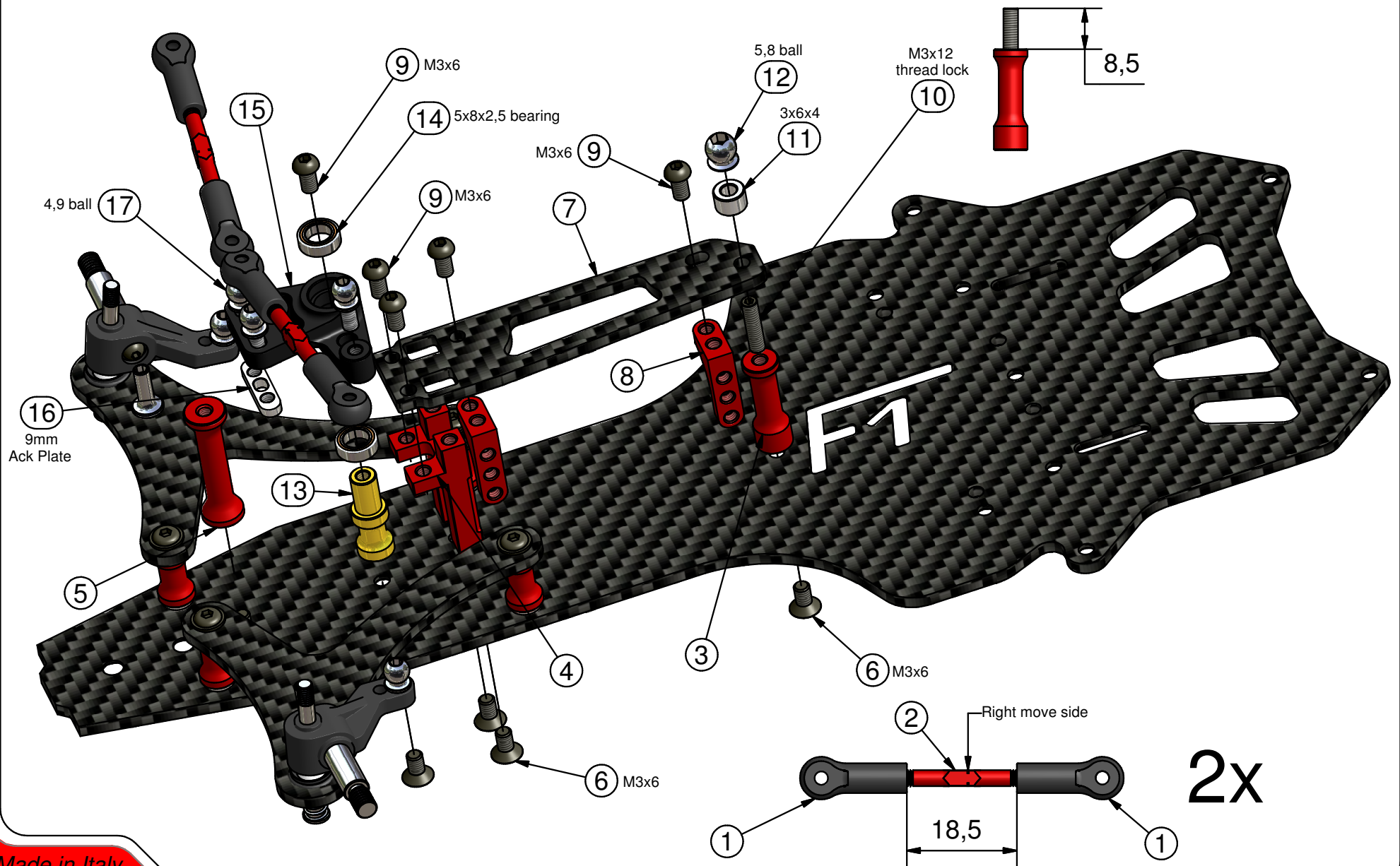
Made in Italy



# Step 1.1

## - Front Assembly - BAG 1

# Capricorn RC



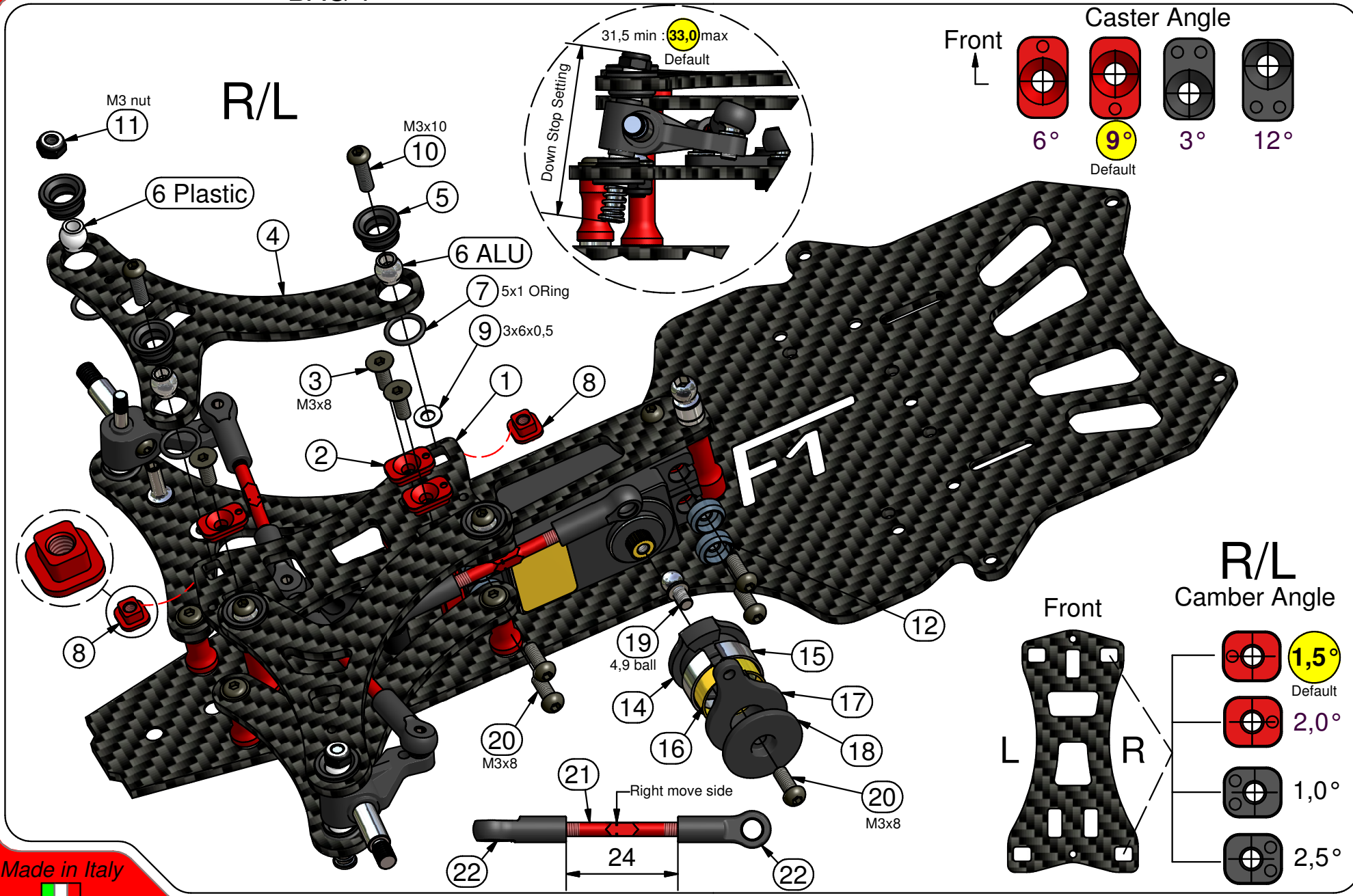
Made in Italy



# Step 1.2

## - Front Assembly - BAG 1

Capricorn RC

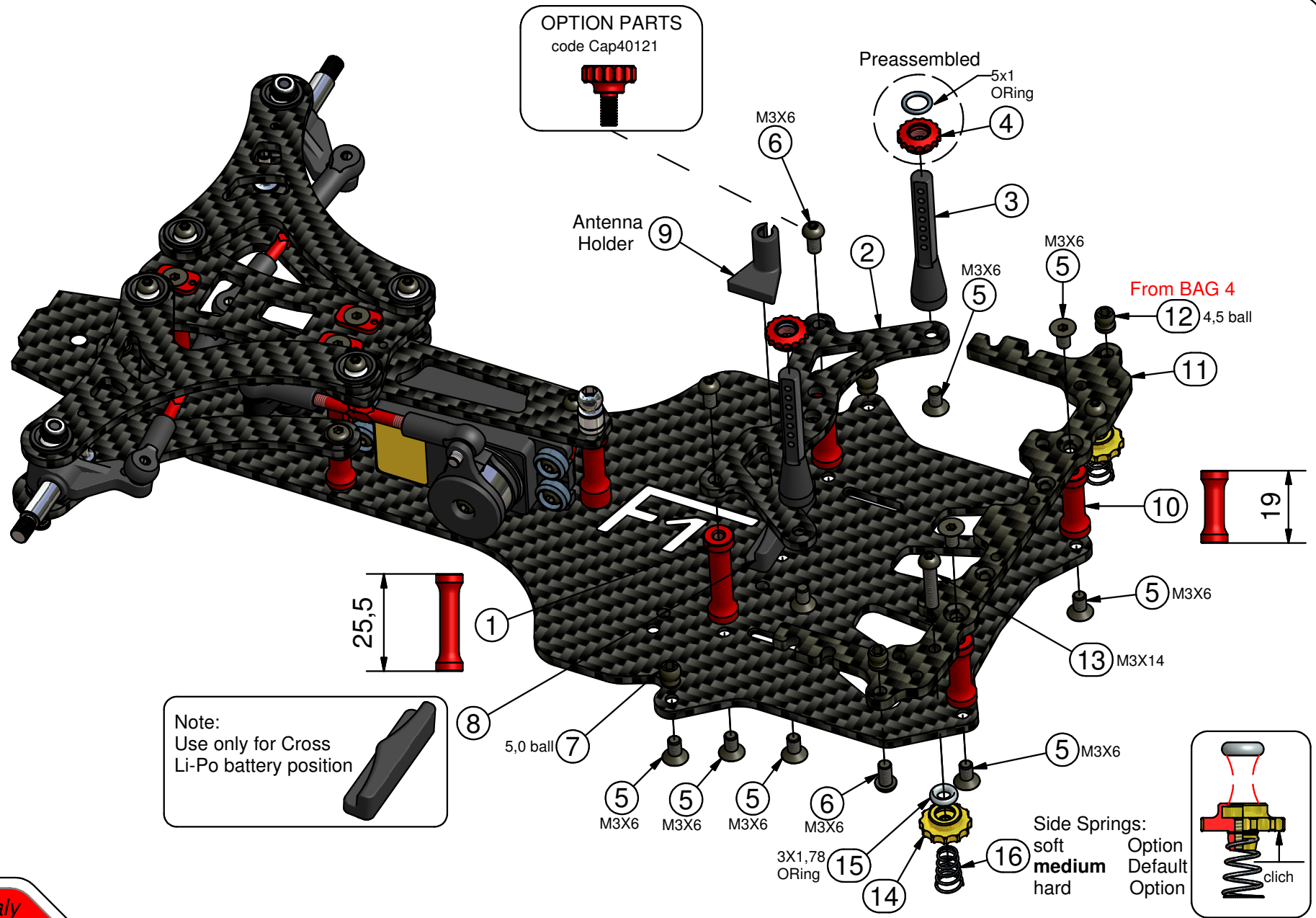


Made in Italy

# Step 2.0

## - Center Assembly - BAG 2

*Capricorn RC*



Made in Italy



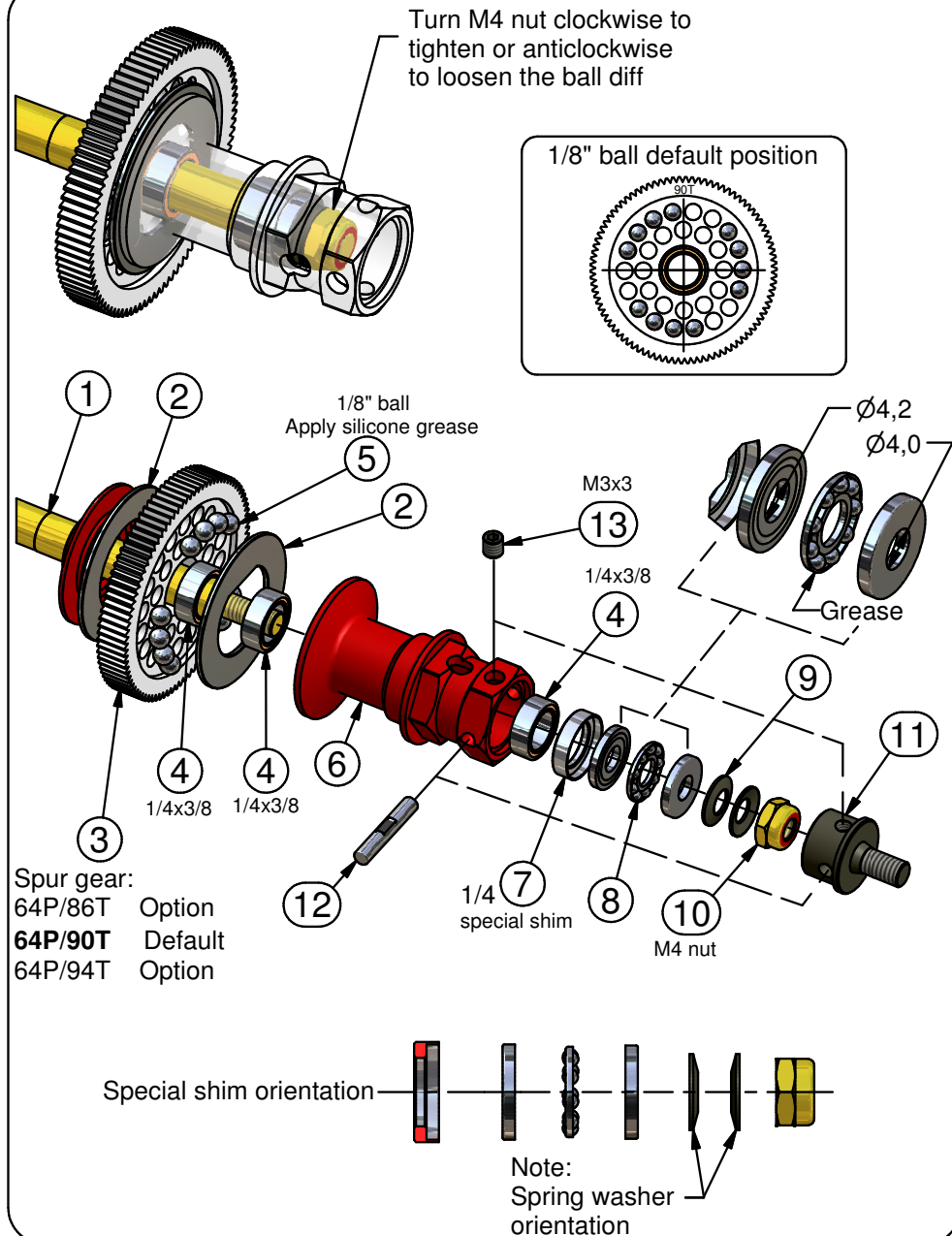
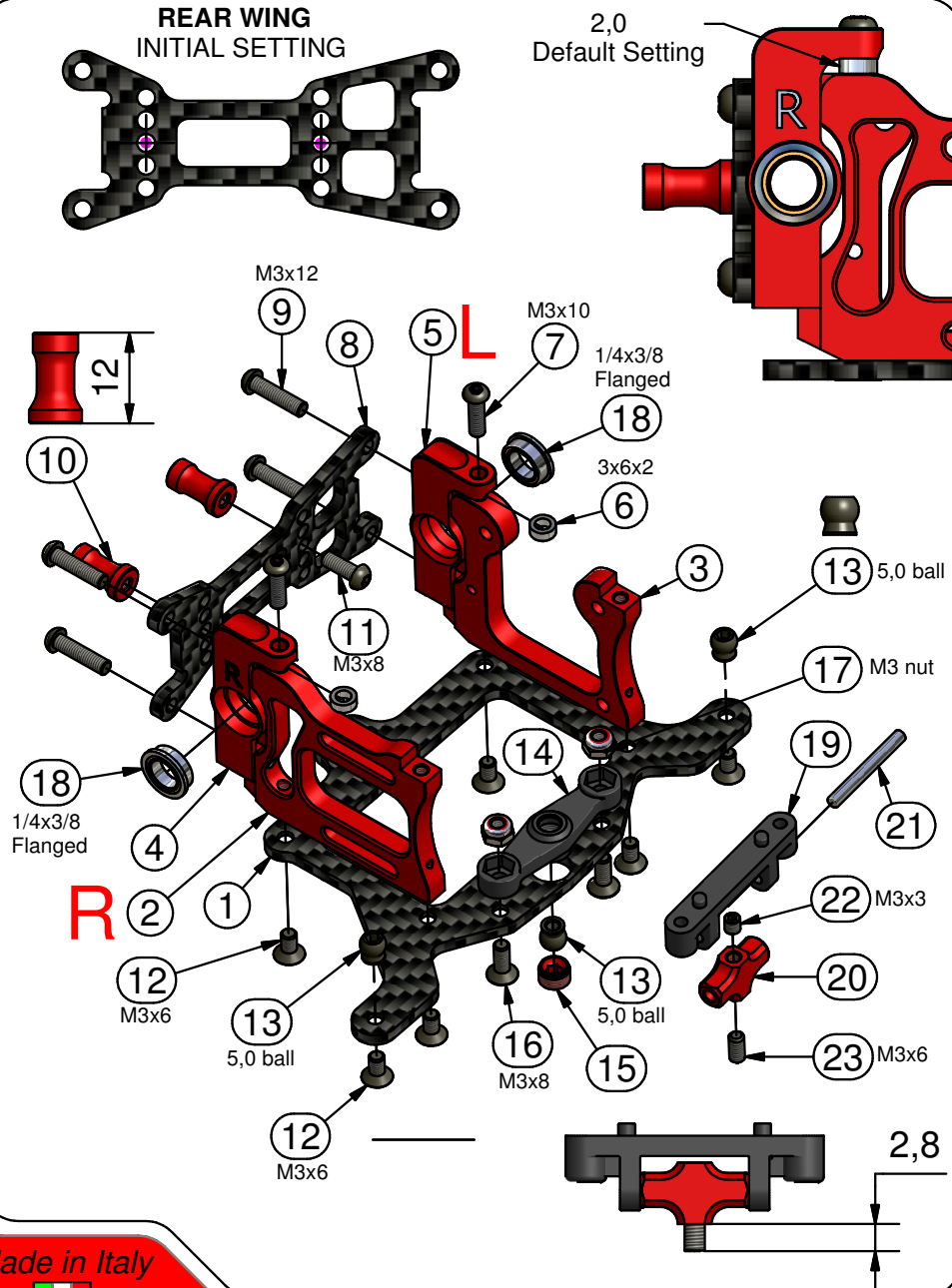
# Step 3.0

## - Rear Assembly - BAG 3

Capricorn RC

REAR WING  
INITIAL SETTING

2,0  
Default Setting



Made in Italy

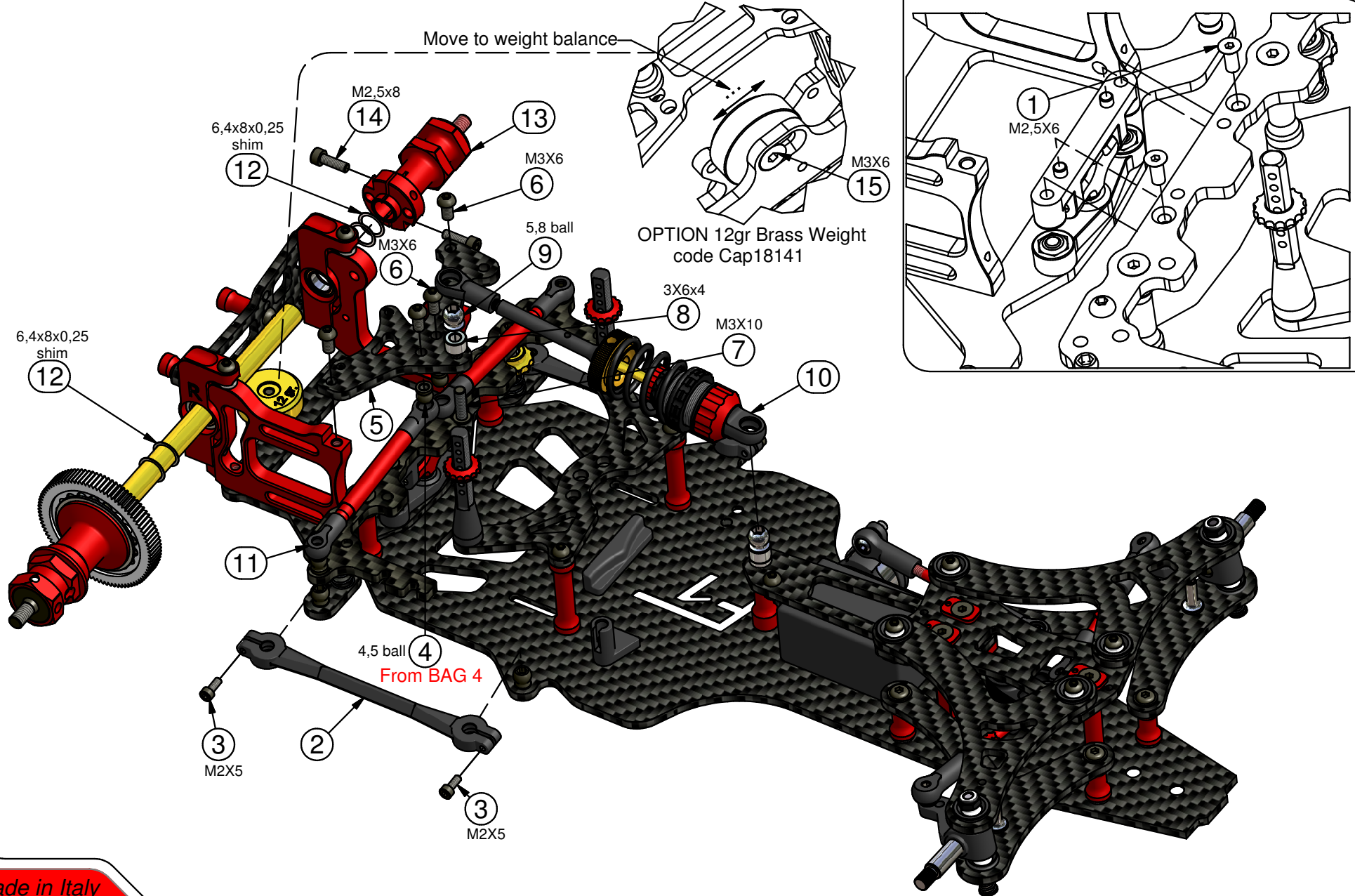




# Step 3.1

## - Rear Assembly - BAG 3

Capricorn RC



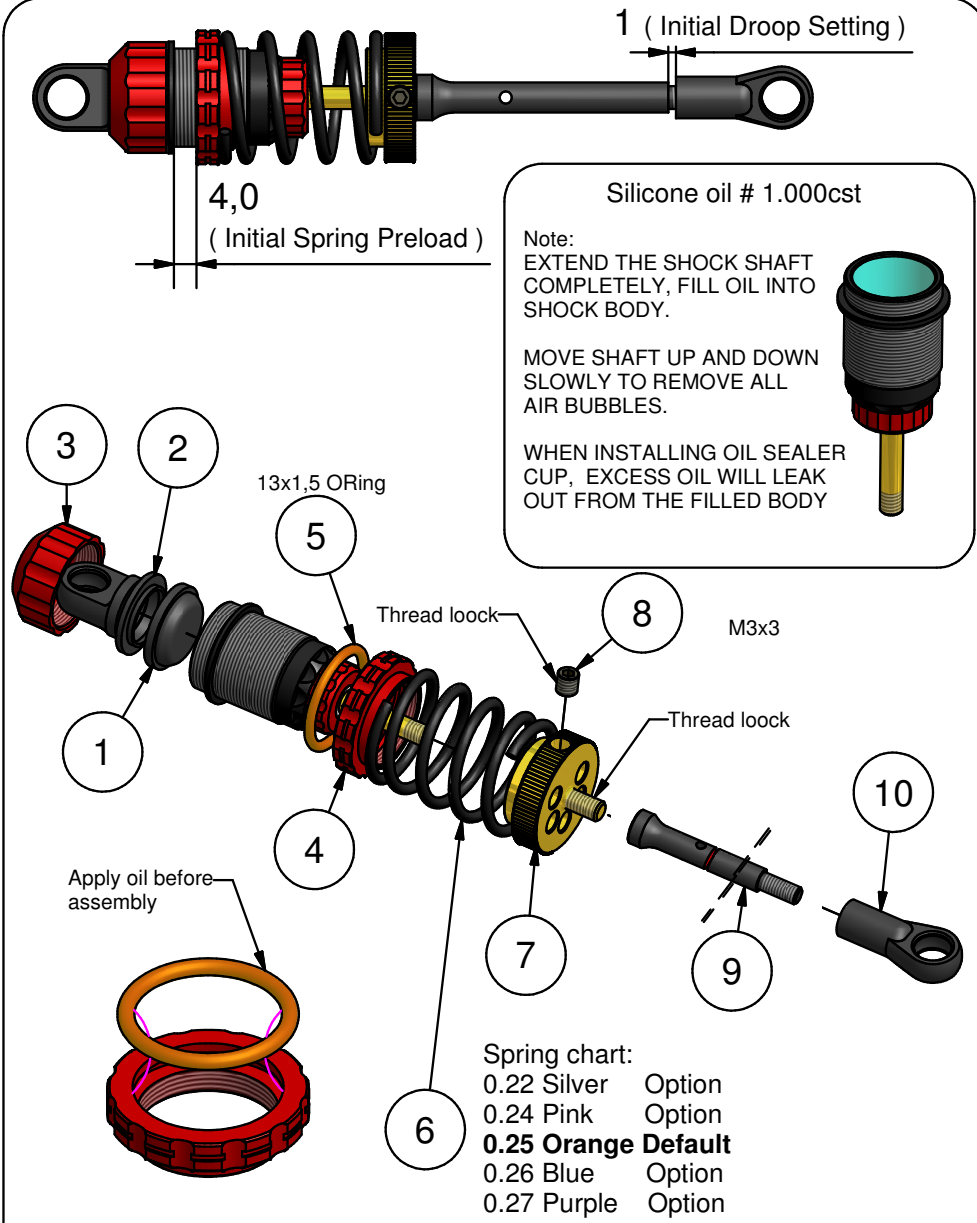
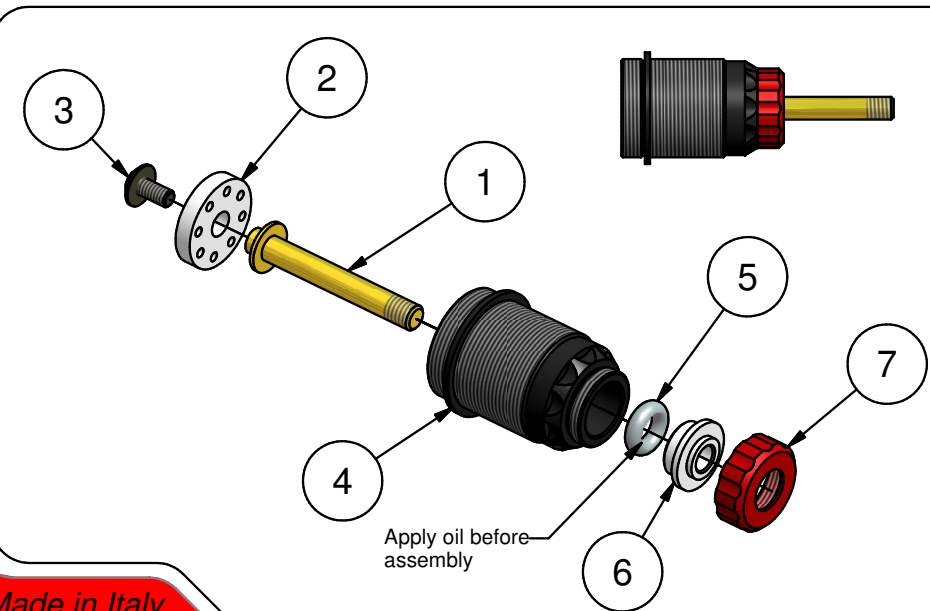
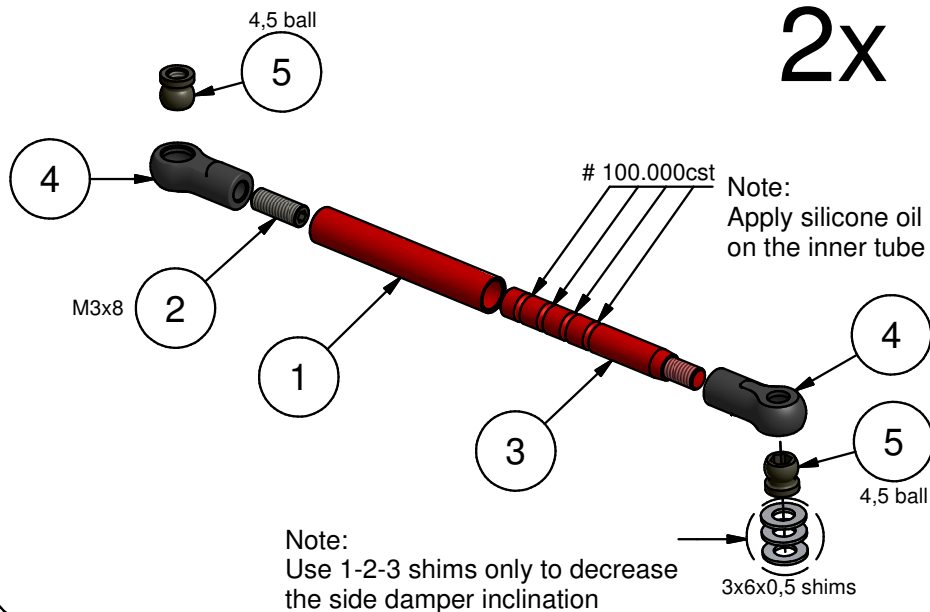
Made in Italy



# Step 4.0

- Shocks -  
BAG 4

Capricorn RC



Made in Italy

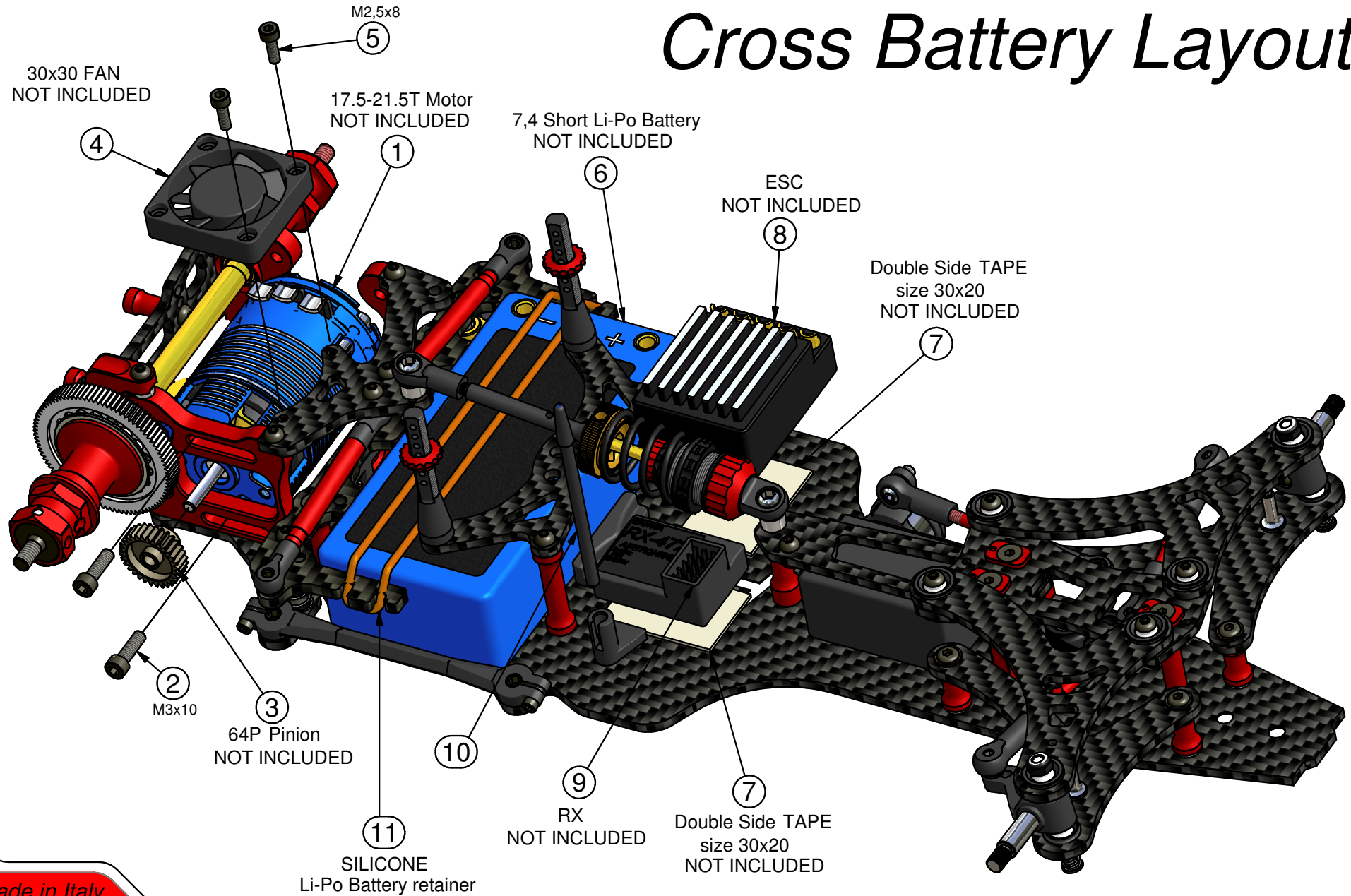


# Step 5.0

- Electronics Assembly -  
BAG 5

Capricorn RC

# Cross Battery Layout



Made in Italy

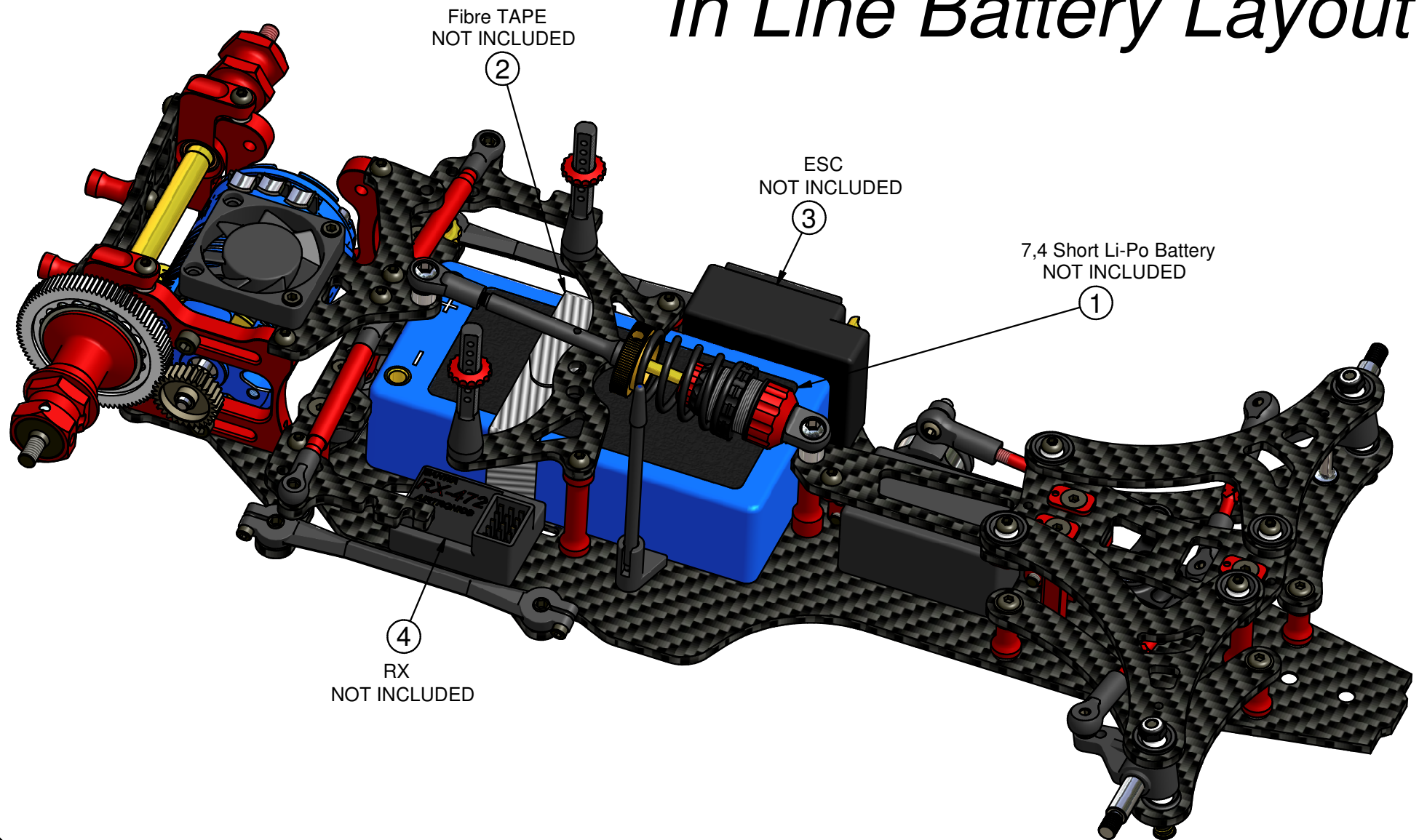


## Step 5.1

- Electronics Assembly -  
BAG 5

Capricorn RC

# In Line Battery Layout



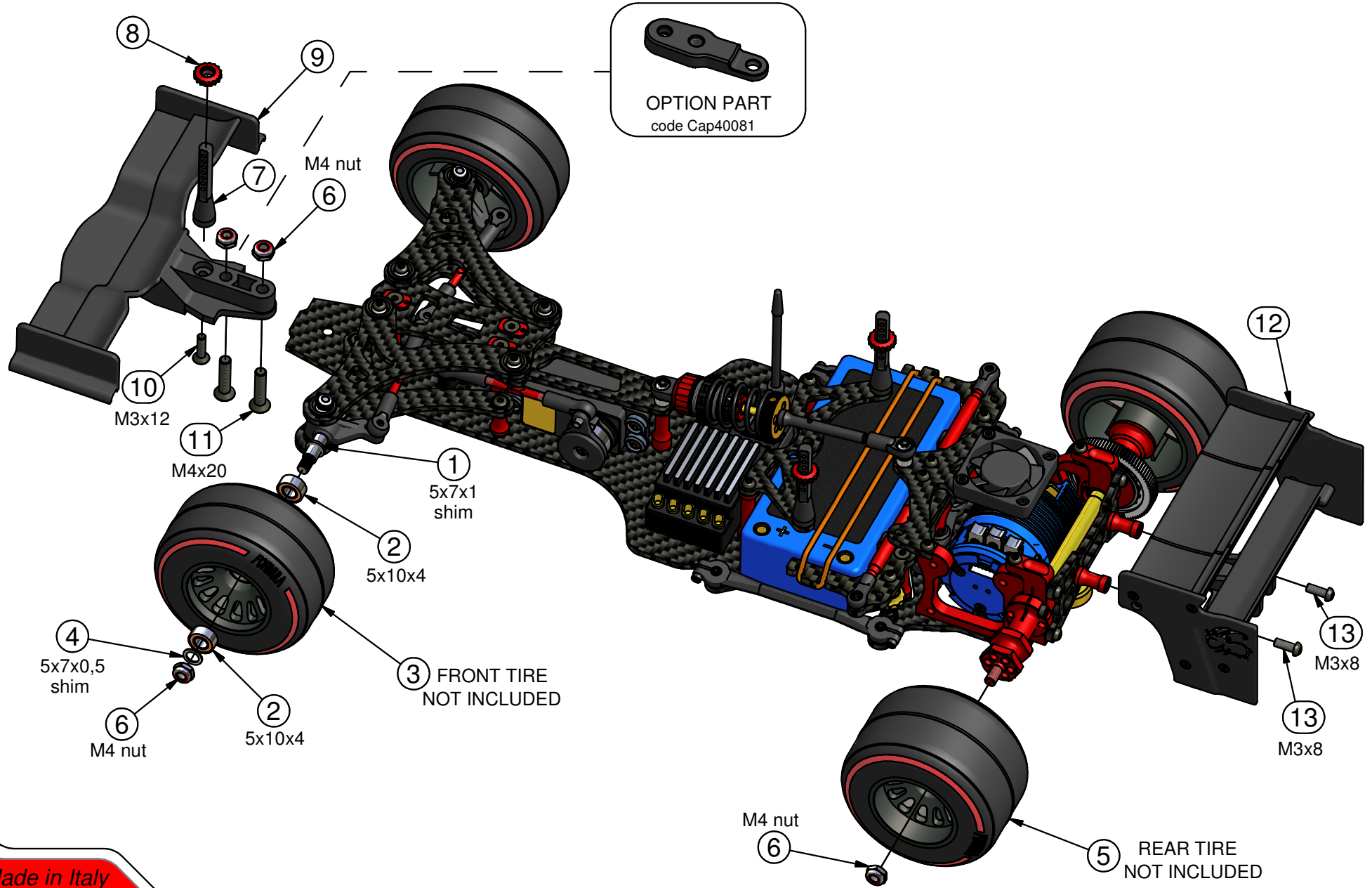
Made in Italy



# Step 5.2

- Final Assembly -  
BAG 5

# Capricorn RC



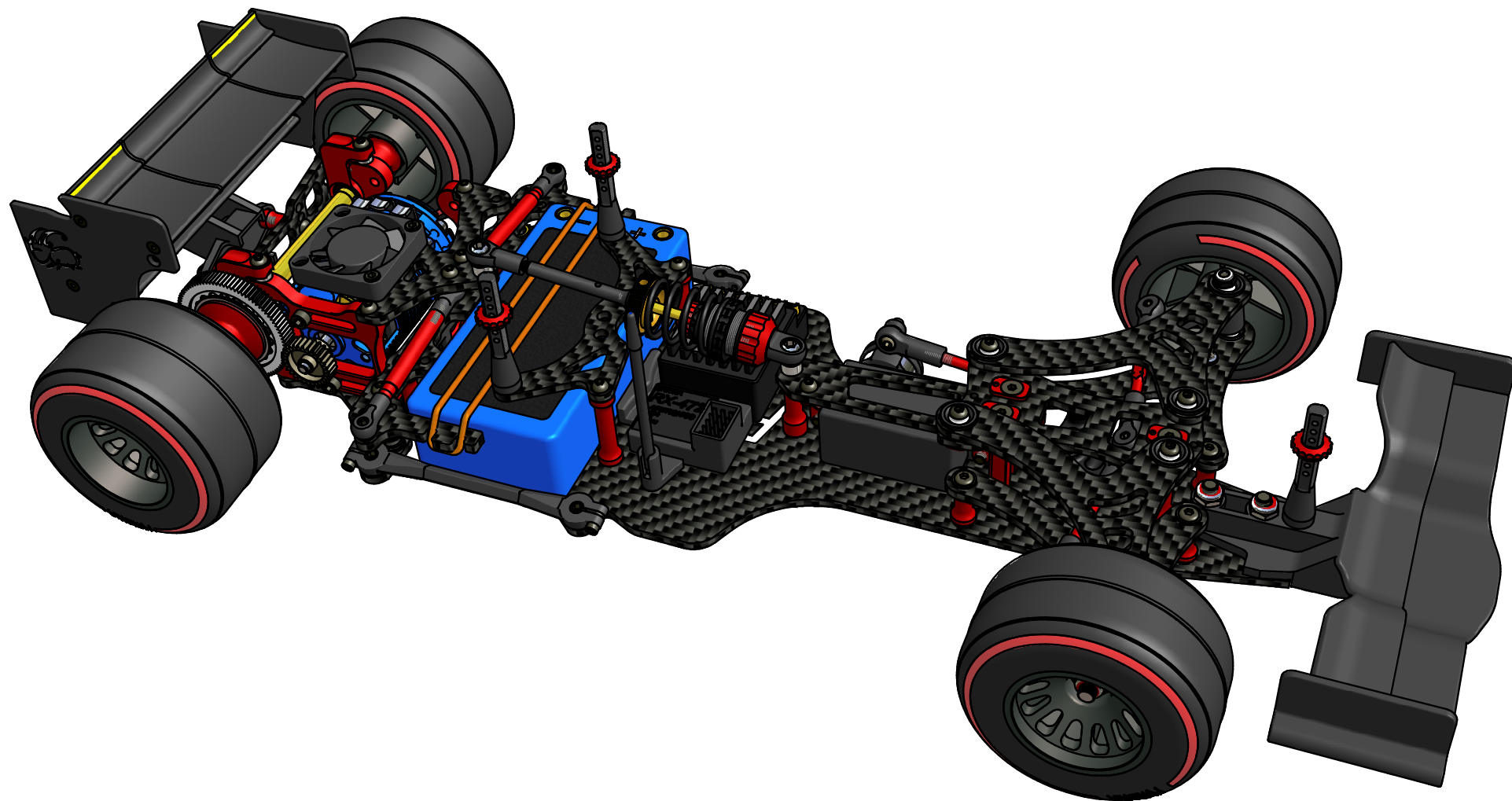
Made in Italy



**Step 5.3**

- Final Assembly View -

*Capricorn RC*



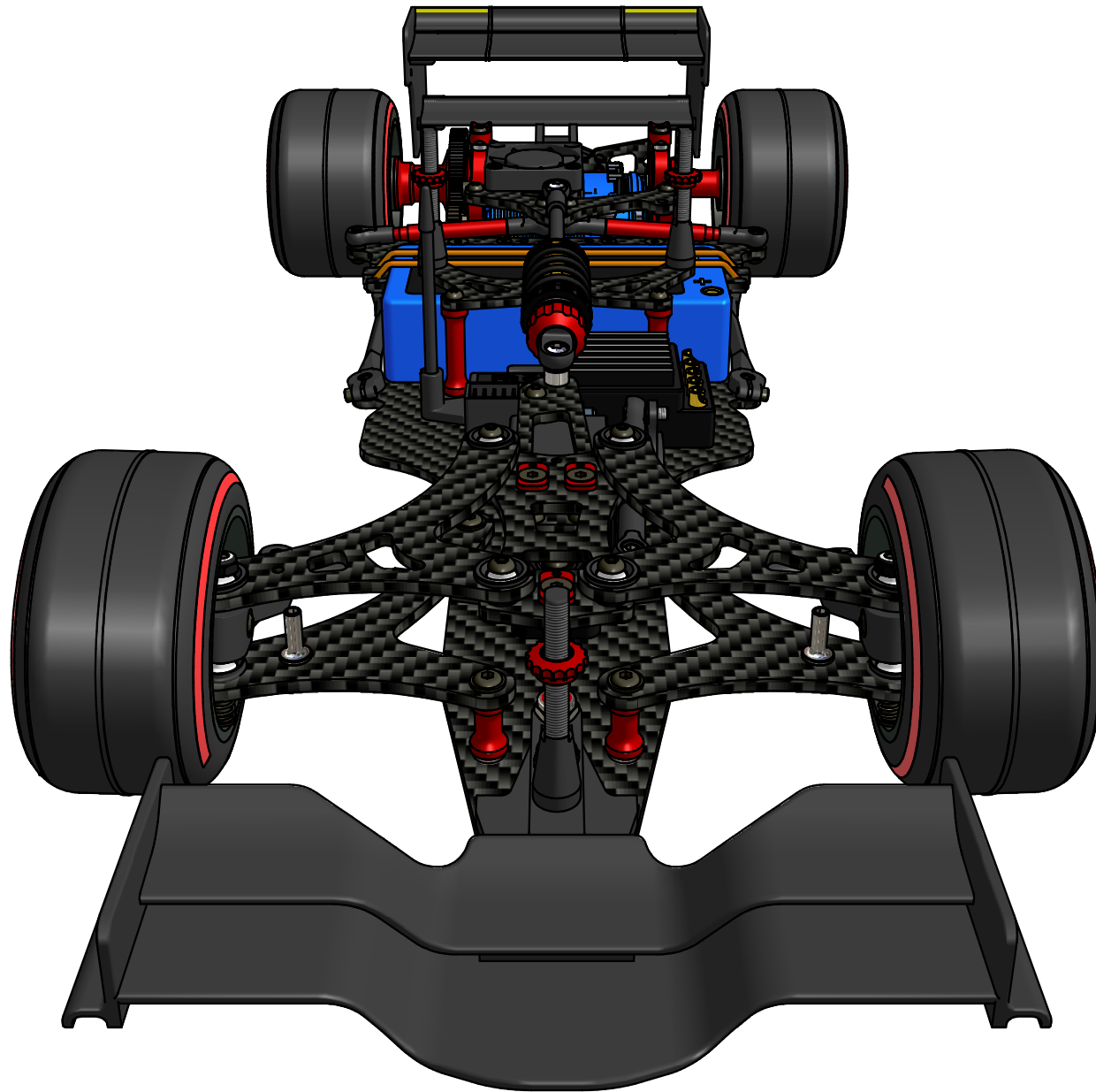
Made in Italy



**Step 5.4**

- Final Assembly View -

*Capricorn RC*

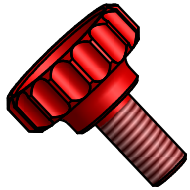


Made in Italy



- Option Parts -

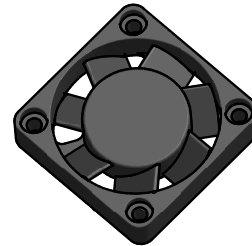
Capricorn RC



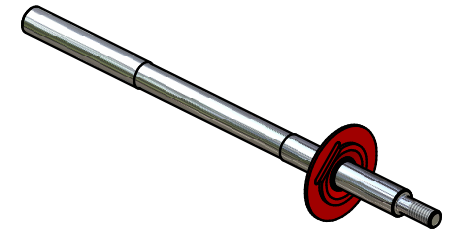
cod. Cap40121



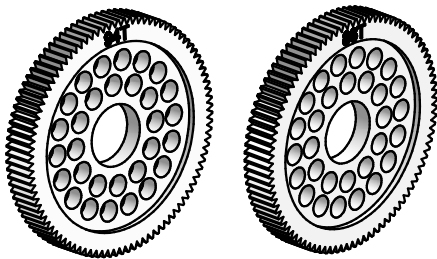
cod. Cap40081



30x30 FAN  
cod. Cap40124





cod. Cap40079





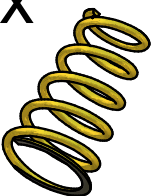

cod. Cap40057-94    cod. Cap40057-86




cod. Cap18141


	SOFT	HARD
2x	2x	
		
cod. Cap40033-S	cod. Cap40033-H	

	XHARD	XXHARD
2x	2x	
		
cod. Cap40431	cod. Cap40432	


SOFT	HARD
2x	2x
	
cod. Cap40071-S	cod. Cap40071-H

	SOFT	
	0,22	Cap29176
	0,24	Cap29175
	0,25	Cap18106
	0,26	Cap29174
	0,27	Cap18107
	HARD	

M3 Aluminium screws

	M3x5mm	cod. One29276
	M3x6mm	cod. One29277
	M3x8mm	cod. One29278
	M3x10mm	cod. One29279

M3 Aluminium screws

	M3x4mm	cod. One29266
	M3x5mm	cod. One29267
	M3x6mm	cod. One29268
	M3x8mm	cod. One29269
	M3x10mm	cod. One29270
	M3x12mm	cod. One29271
	M3x14mm	cod. One29272
	M3x16mm	cod. One29273

Made in Italy





# F1-02 DEFAULT SET-UP SHEET

# Capricorn RC

RACE	<input type="text"/>	DATE	<input type="text"/>
TRACK	<input type="text"/>	QUALIFYING POSITION	<input type="text"/>
NAME	<input type="text"/>	BEST LAP	<input type="text"/> /sec
CITY/ COUNTRY	<input type="text"/>	RACE POSITION	<input type="text"/>
CONTACT	<input type="text"/>	RACE LENGTH	<input type="text"/> /min

TRACK SURFACE	<input type="checkbox"/> CARPET	<input checked="" type="checkbox"/> ASPHALT	
TRACK LAYOUT	<input type="checkbox"/> TECHNICAL	<input checked="" type="checkbox"/> MIXED	<input type="checkbox"/> FAST
TRACTION	<input type="checkbox"/> LOW	<input checked="" type="checkbox"/> MEDIUM	<input type="checkbox"/> HIGH

CENTER SHOCK ABSORBER				SIDE SHOCK	
<input type="checkbox"/> ORANGE SPRING	<input type="text" value="8"/> HOLE	<input type="text" value="1.000"/> OIL /CST	<input type="text" value="30"/> REBOUND %	<input type="text" value="100.000"/> OIL /CST	

FRONT	TIRES	REAR
<input type="text"/>	<input type="text"/>	<input type="text"/>
<input type="text"/>	ADDITIVE	<input type="text"/>
<input type="text"/>	ADD. TIMING	<input type="text"/>

<input type="checkbox"/>	ADDITIVE TREATED AREA	<input type="checkbox"/>
--------------------------	-----------------------	--------------------------

DIFF. SETTING

LOOSE  MEDIUM  TIGHT

GEARING

PINION /T  SPUR GEAR /T  DRIVE RATIO

MOTOR: 21,5T BRUSHLESS

ESC: 80A

BATTERY: Li-Po 2S Shorty

BODY:

- NOTES -

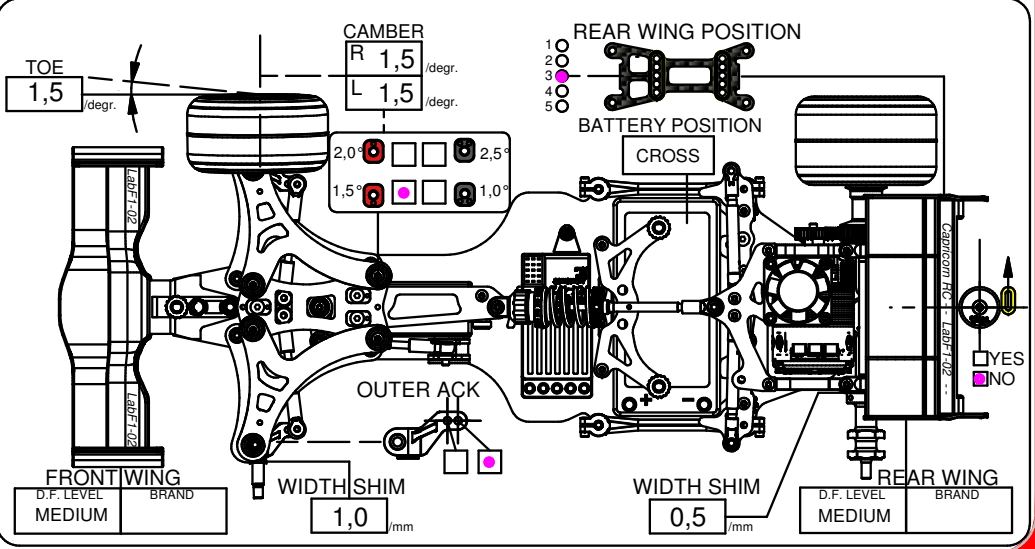
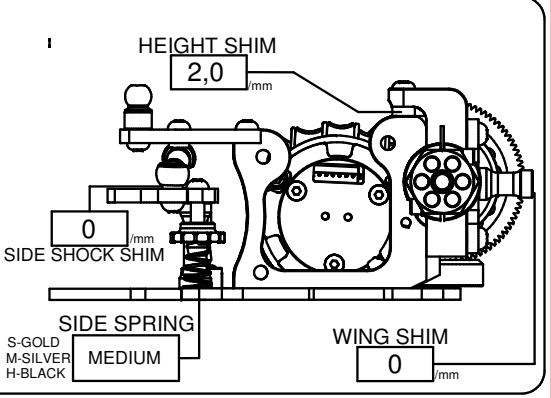
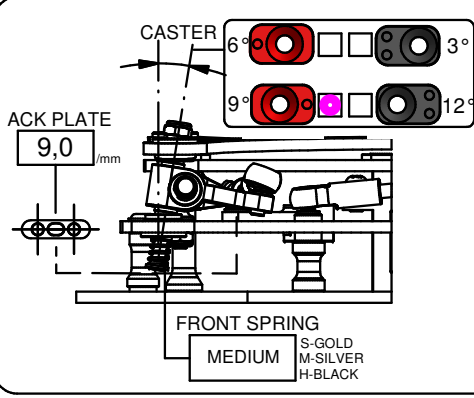
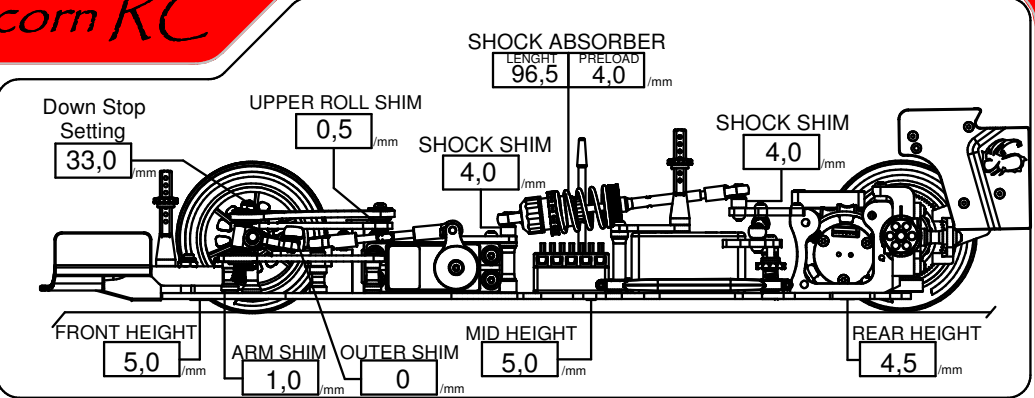
---



---



---



Made in Italy


# F1-02 BLANK SET-UP SHEET

Capricorn RC

RACE	<input type="text"/>	DATE	<input type="text"/>
TRACK	<input type="text"/>	QUALIFYING POSITION	<input type="text"/>
NAME	<input type="text"/>	BEST LAP	<input type="text"/> /sec
CITY/ COUNTRY	<input type="text"/>	RACE POSITION	<input type="text"/>
CONTACT	<input type="text"/>	RACE LENGTH	<input type="text"/> /min

TRACK SURFACE	<input type="checkbox"/> CARPET	<input type="checkbox"/> ASPHALT	
TRACK LAYOUT	<input type="checkbox"/> TECHNICAL	<input type="checkbox"/> MIXED	<input type="checkbox"/> FAST
TRACTION	<input type="checkbox"/> LOW	<input type="checkbox"/> MEDIUM	<input type="checkbox"/> HIGH

CENTER SHOCK ABSORBER				SIDE SHOCK	
<input type="text"/>	<input type="text"/>	<input type="text"/> /CST	<input type="text"/> %	<input type="text"/> /CST	<input type="text"/>
SPRING	HOLE	OIL	REBOUND	OIL	

FRONT	TIRES	REAR
<input type="text"/>	<input type="text"/>	<input type="text"/>
<input type="text"/>	ADDITIVE	<input type="text"/>
<input type="text"/>	ADD. TIMING	<input type="text"/>
		

DIFF. SETTING

LOOSE  MEDIUM  TIGHT

GEARING

/T PINION  /T SPUR GEAR  DRIVE RATIO

MOTOR

ESC

BATTERY

BODY

- NOTES -

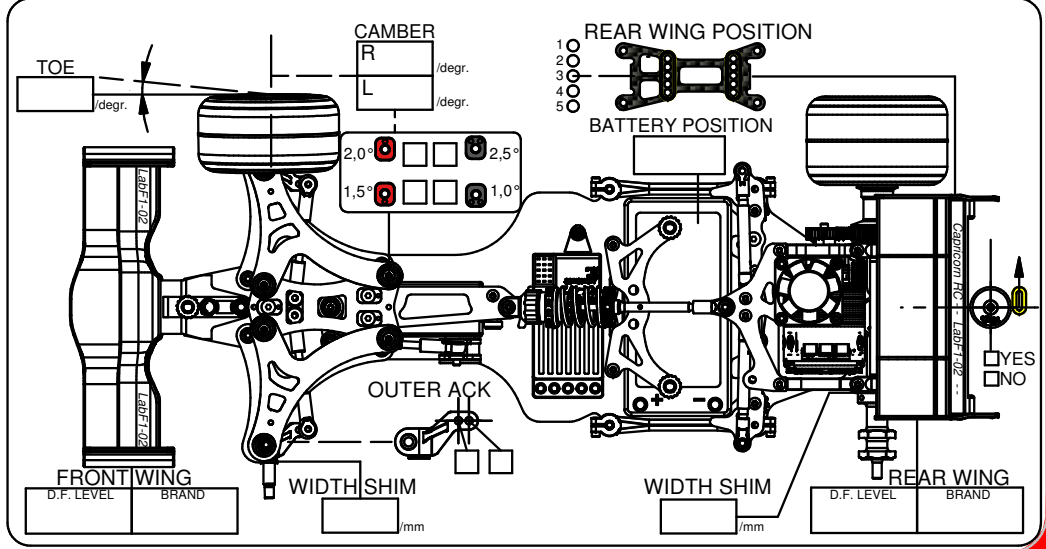
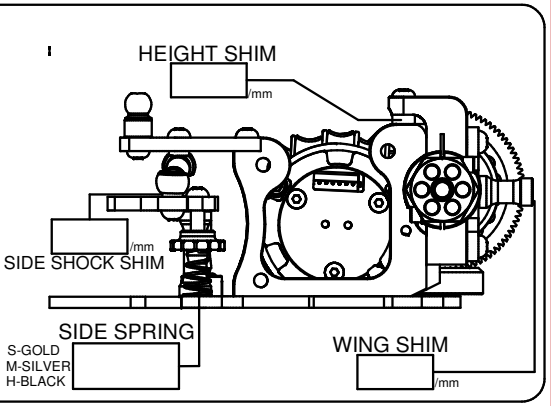
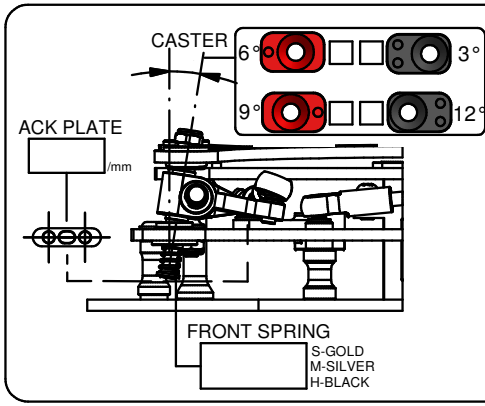
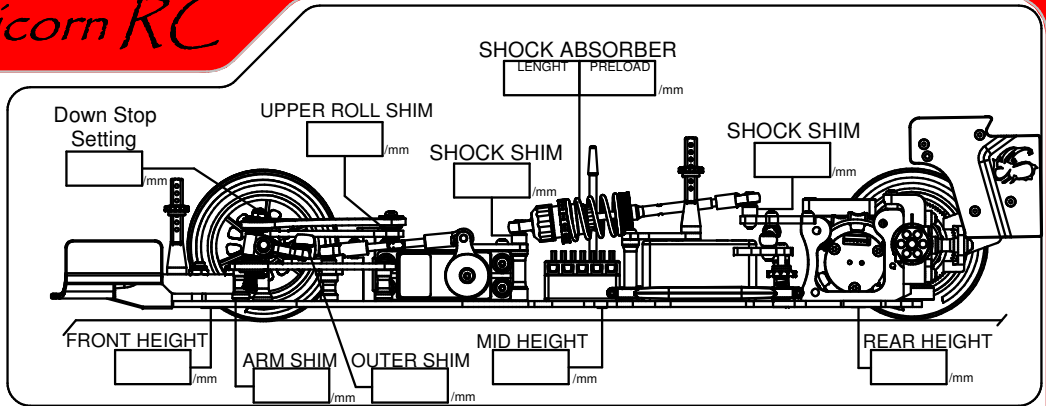
---



---



---



Made in Italy



- Additional Notes -

*Capricorn RC*

---

---

---

---

---

---

---

---

---

---

---

---

---

---

---

---

---

---

---

---

---

---

---

---

---

---

---

---

---

---

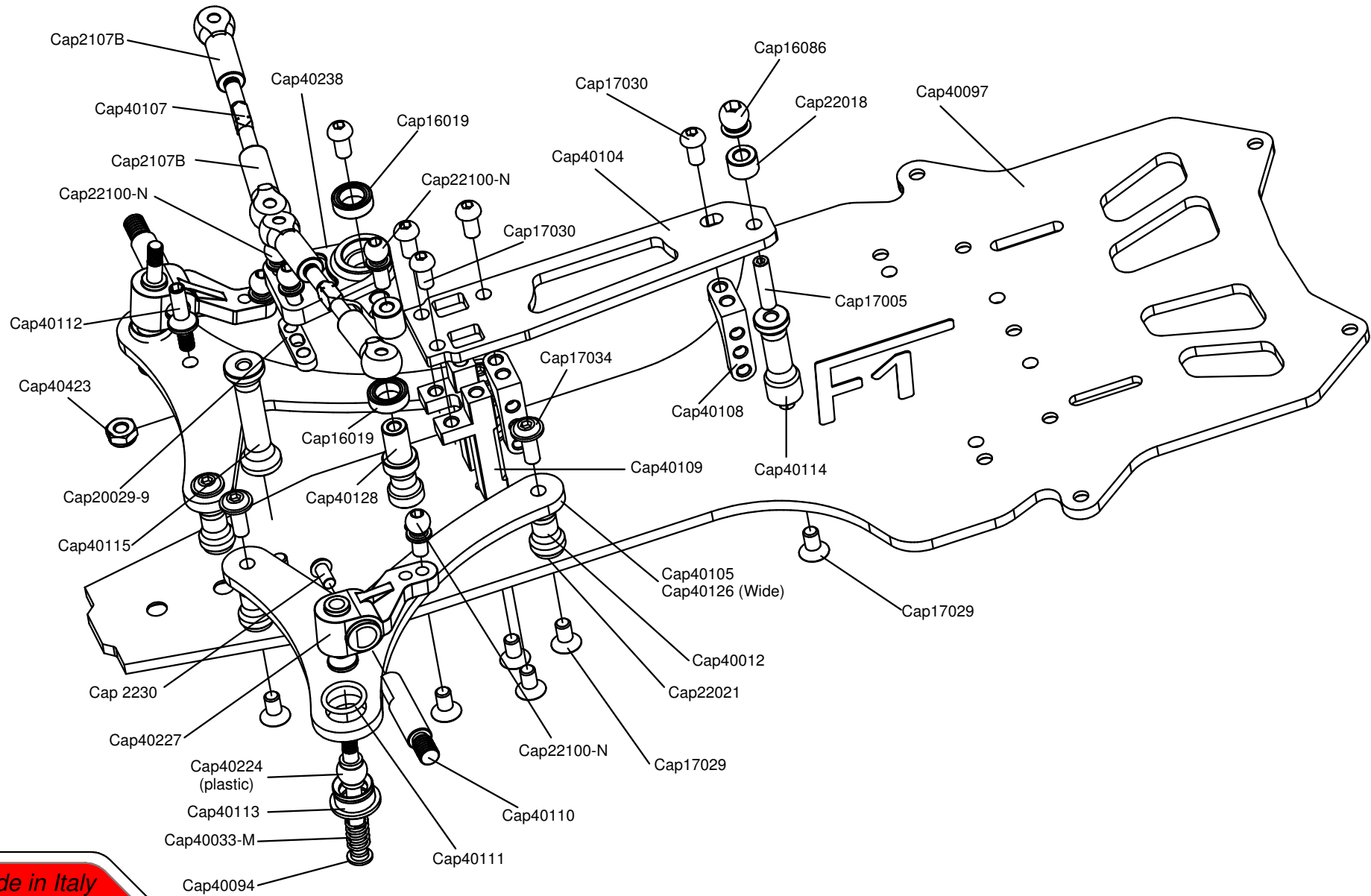
Made in Italy





- Front exploded **A** -

Capricorn RC

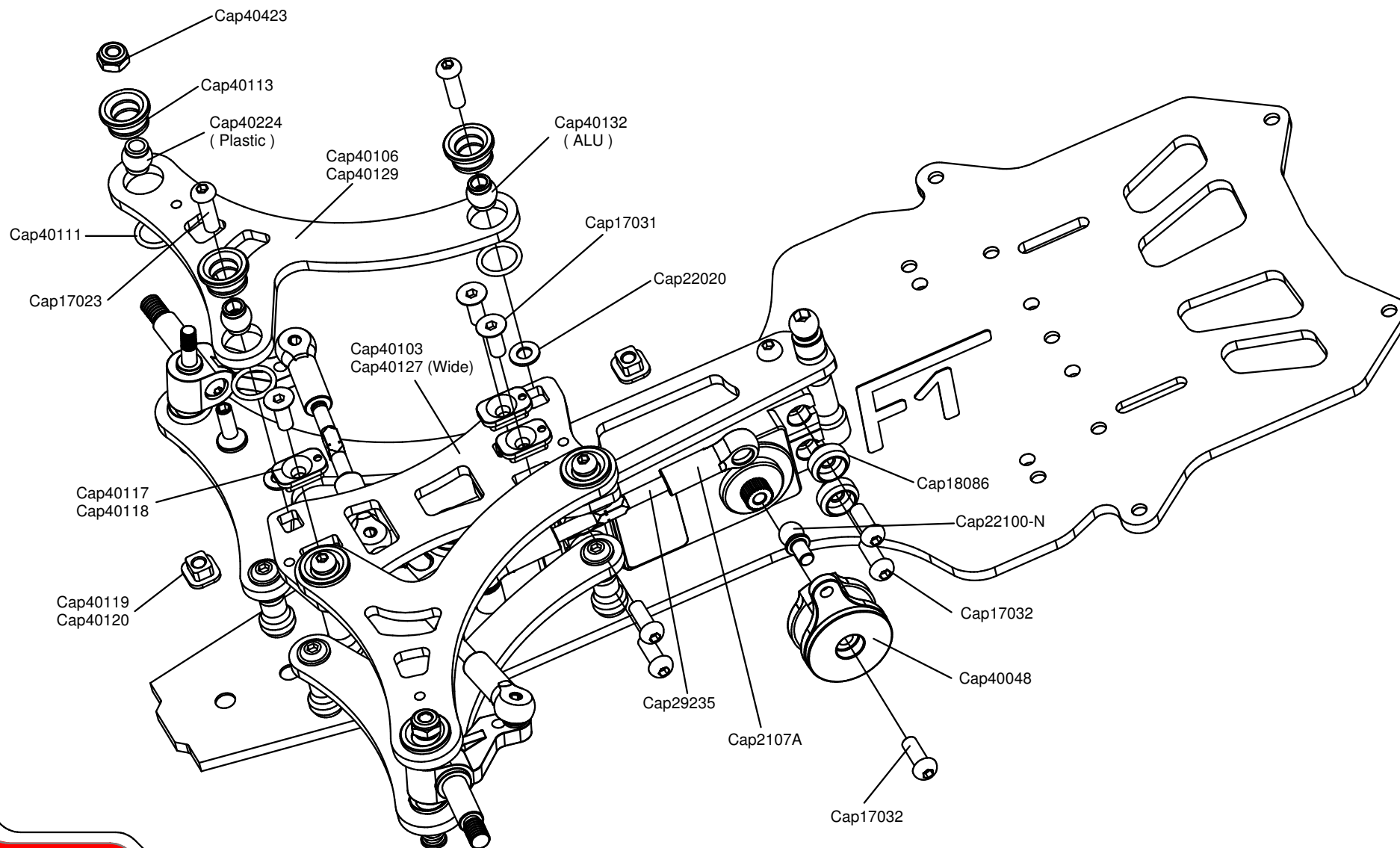


Made in Italy



- Front exploded **B** -

*Capricorn RC*

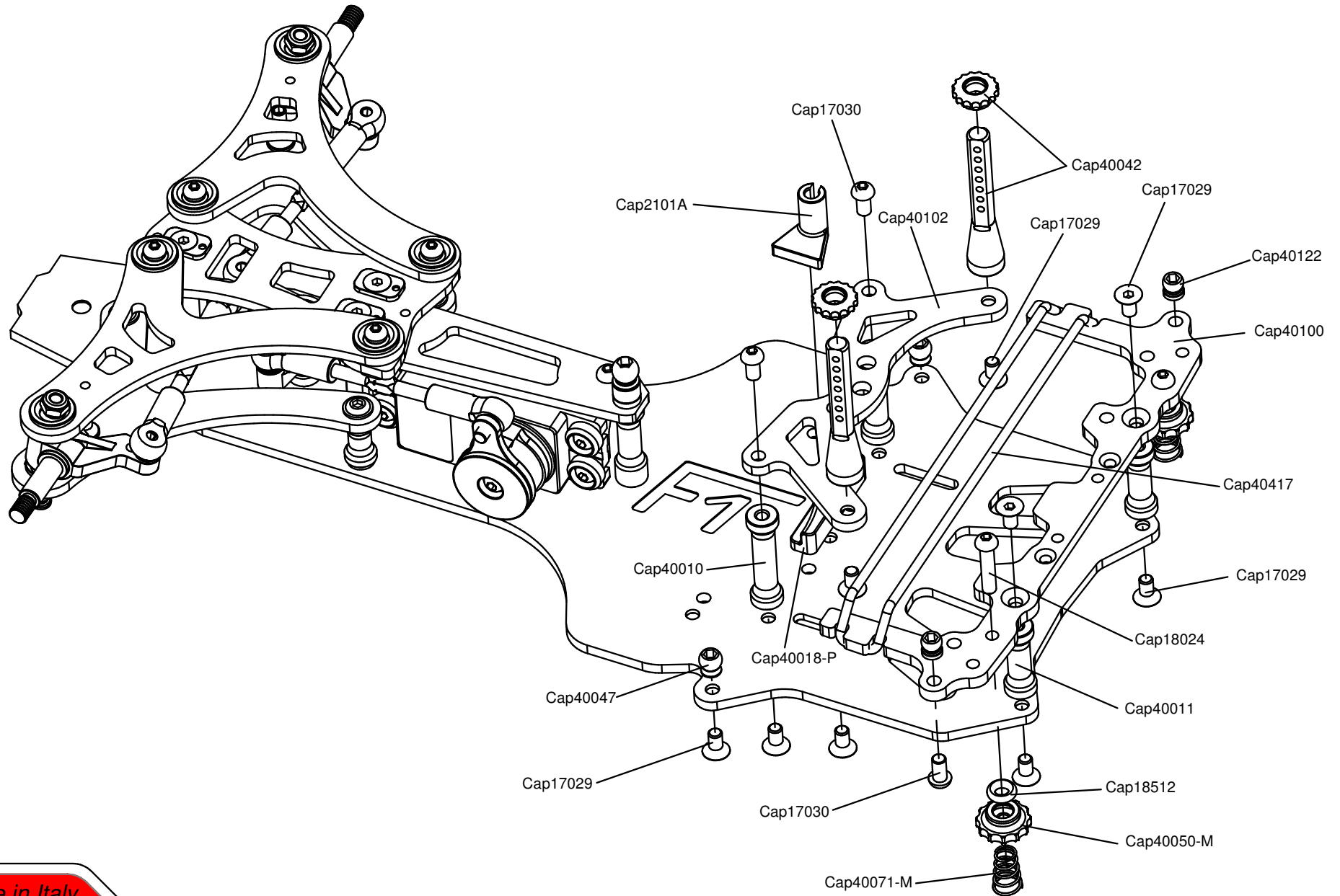


Made in Italy



- Central exploded -

Capricorn RC

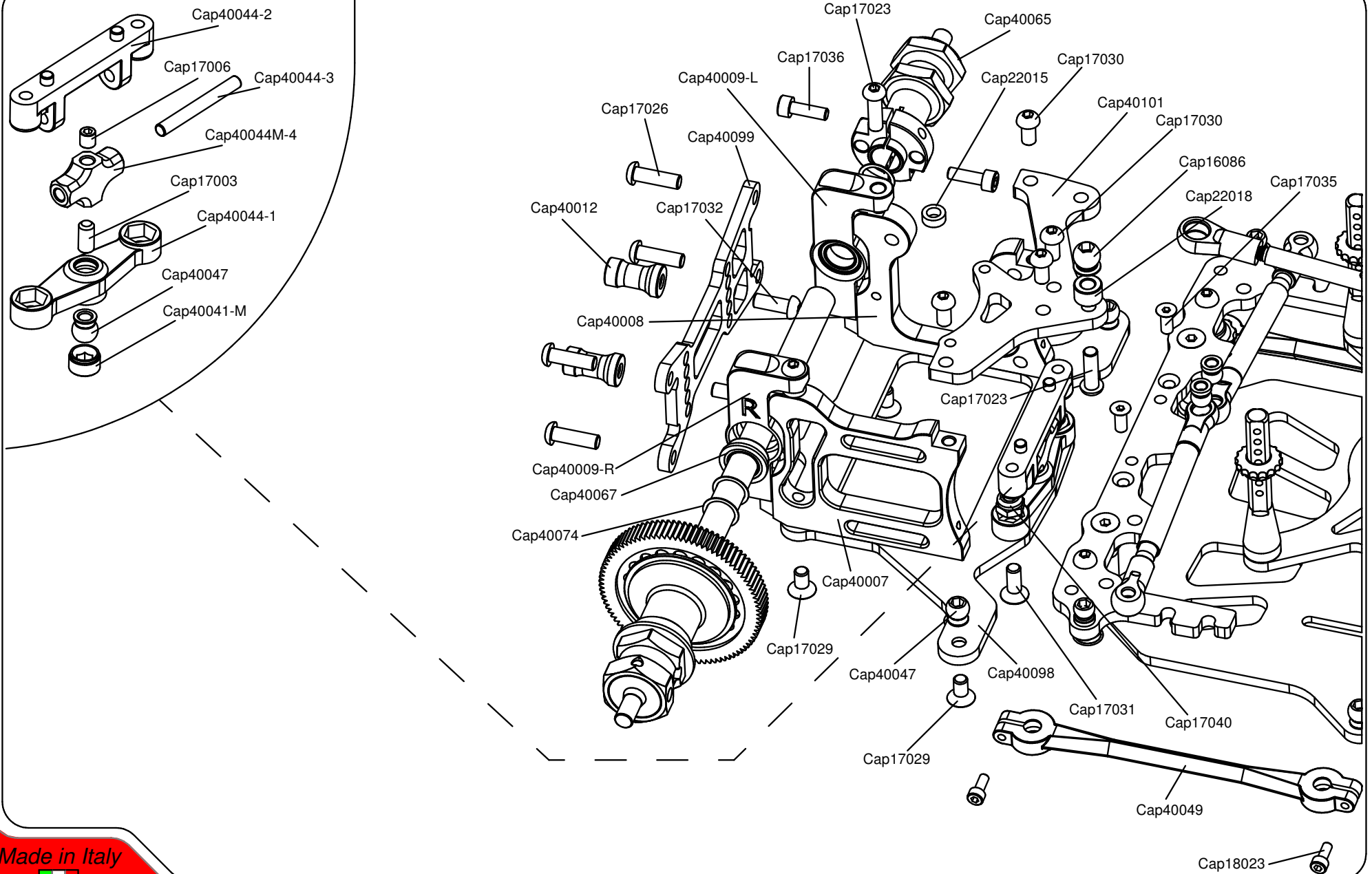


Made in Italy



- Rear exploded -

Capricorn RC

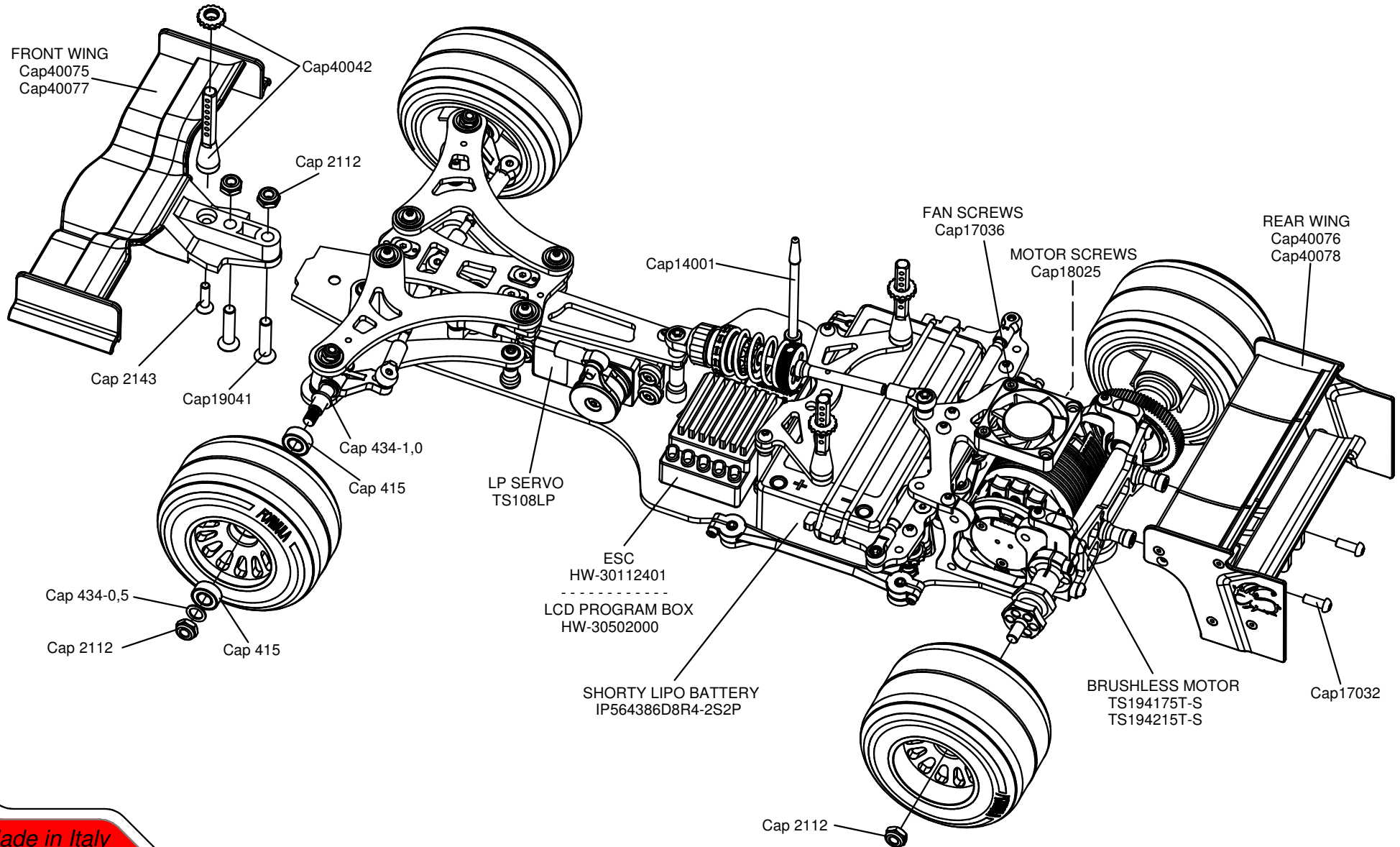


Made in Italy





- Wings and Tires exploded - *Capricorn RC*



Made in Italy



# Step 5.4

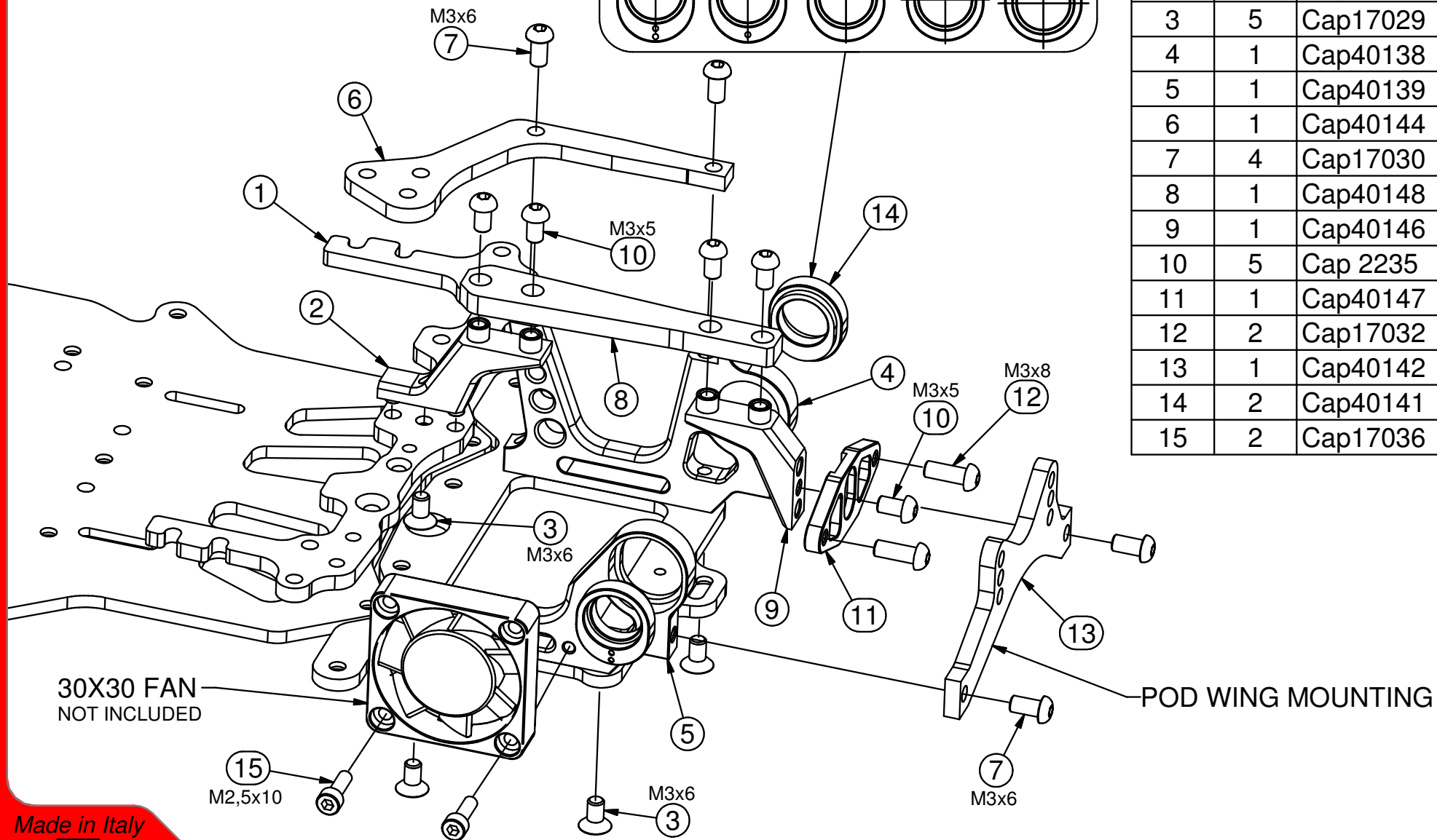
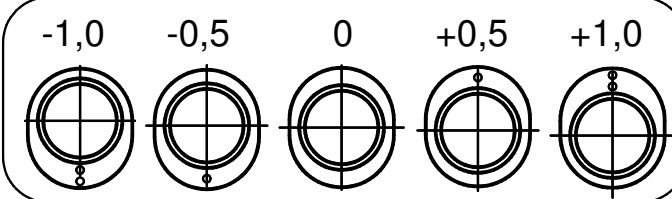
## - EVO Conversion Kit -

code Cap40136-K

Capricorn RC

### Parts List

Rif.	n°	Code
1	1	Cap40143
2	1	Cap40145
3	5	Cap17029
4	1	Cap40138
5	1	Cap40139
6	1	Cap40144
7	4	Cap17030
8	1	Cap40148
9	1	Cap40146
10	5	Cap 2235
11	1	Cap40147
12	2	Cap17032
13	1	Cap40142
14	2	Cap40141
15	2	Cap17036



Made in Italy

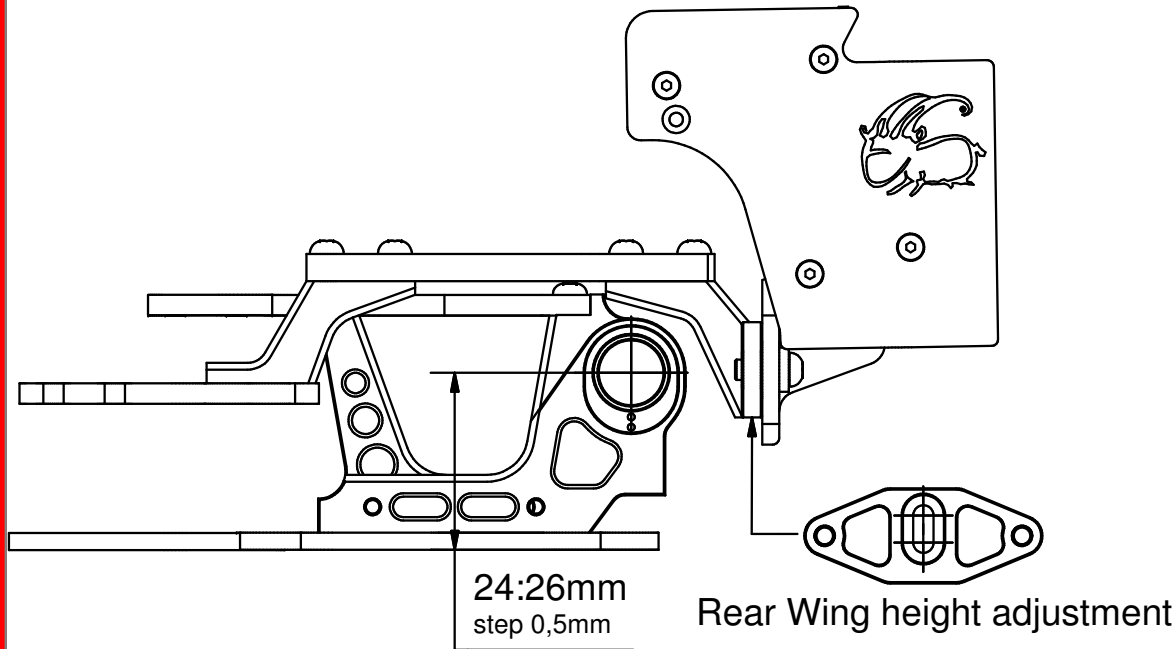
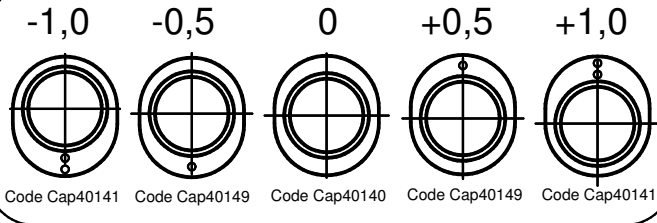


# Step 5.5

- EVO Conversion Kit -  
code Cap40136-K

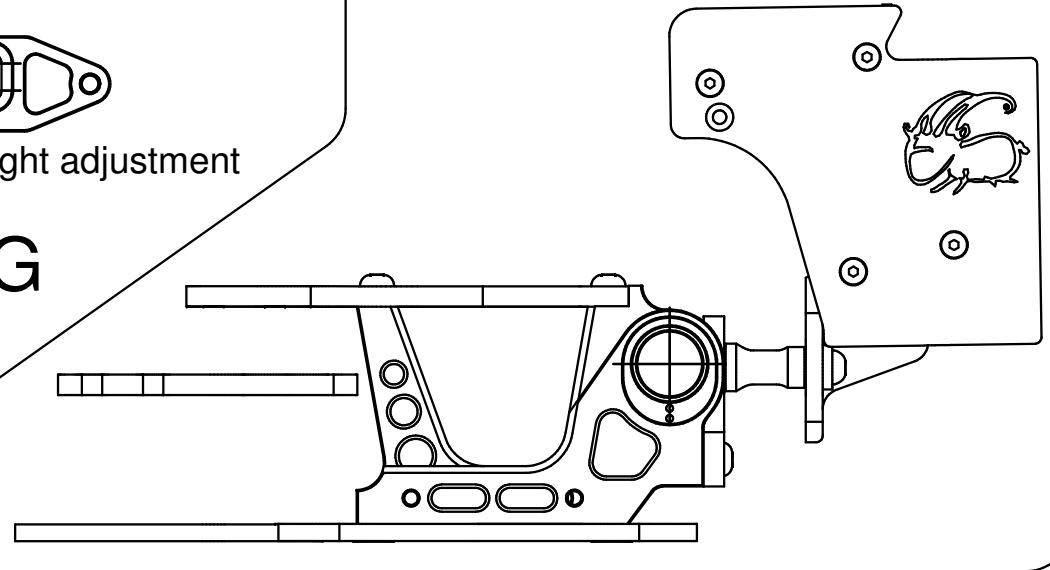
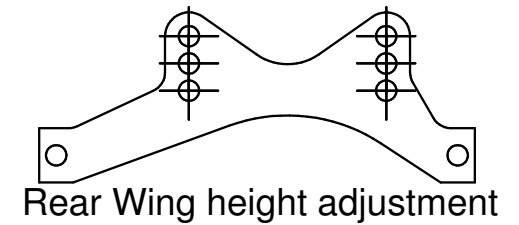
Capricorn RC

## REAR WING SET UP



## MAIN CHASSIS MOUNTING

## POD MOUNTING



Made in Italy

