



LabF1-02 Instruction Manual rel. 1.2 (06/2018)

- Symbols -

Capricorn RC

L/R

Symmetrical
Mounting

2x

Assemble as many
times as specified

1 2
3 4

Assemble in the
specified order

Note:
TEXT....

Be Careful

WARNING

This radio control model is not toy.

First time builders should seek the advice of experienced modellers before beginning assembly and/or if they do not fully understand any part of the construction. We highly advise to read the instruction manual before assembly, and to always keep it at hand for reference. Take care before operating this model; you are responsible for its assembly and safe operation. The extreme performance of this model could be underestimated by inexperienced drivers and could damage objects and/or people. Assemble this kit only in places out of children's reach!

CAPRICORN RC is not responsible for any damage or harm caused by improper use or assembly.

CAPRICORN RC and its distribution network are not responsible for any damage caused by shipping or handling.

Eventual parts missing from the kit or flawed must be reported within two weeks of purchase to your local hobby shop or distributor. For best performance, we highly advise to only use original authentic CAPRICORN RC parts.

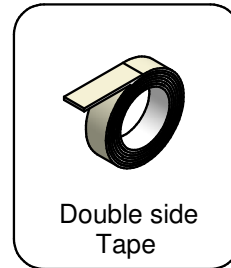
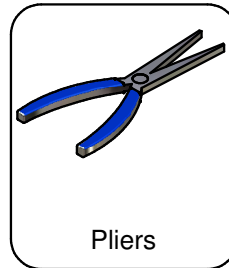
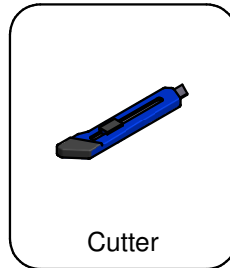
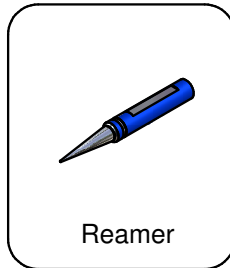
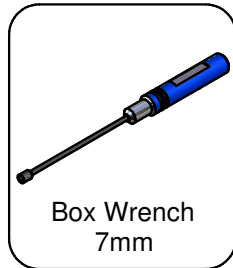
For customer support and service please contact your local hobby shop or agent from whom you purchased this item.

Contents of box may slightly differ from the pictures shown. Construction tools, body, tires, radio system and servo, ESC, motor and battery pack are NOT INCLUDED unless otherwise stated.

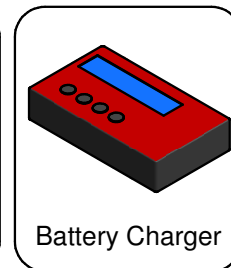
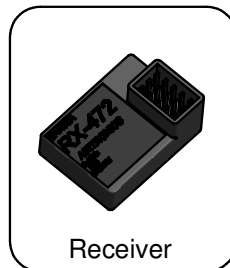
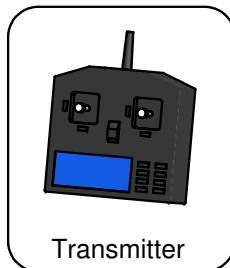
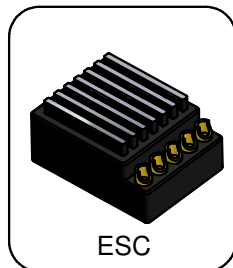
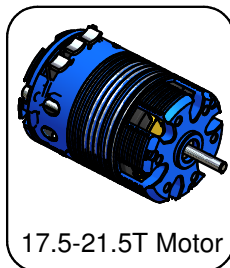
Made in Italy



Tools needed for assembly (NOT INCLUDED)



Parts for model completion and Start (NOT INCLUDED)



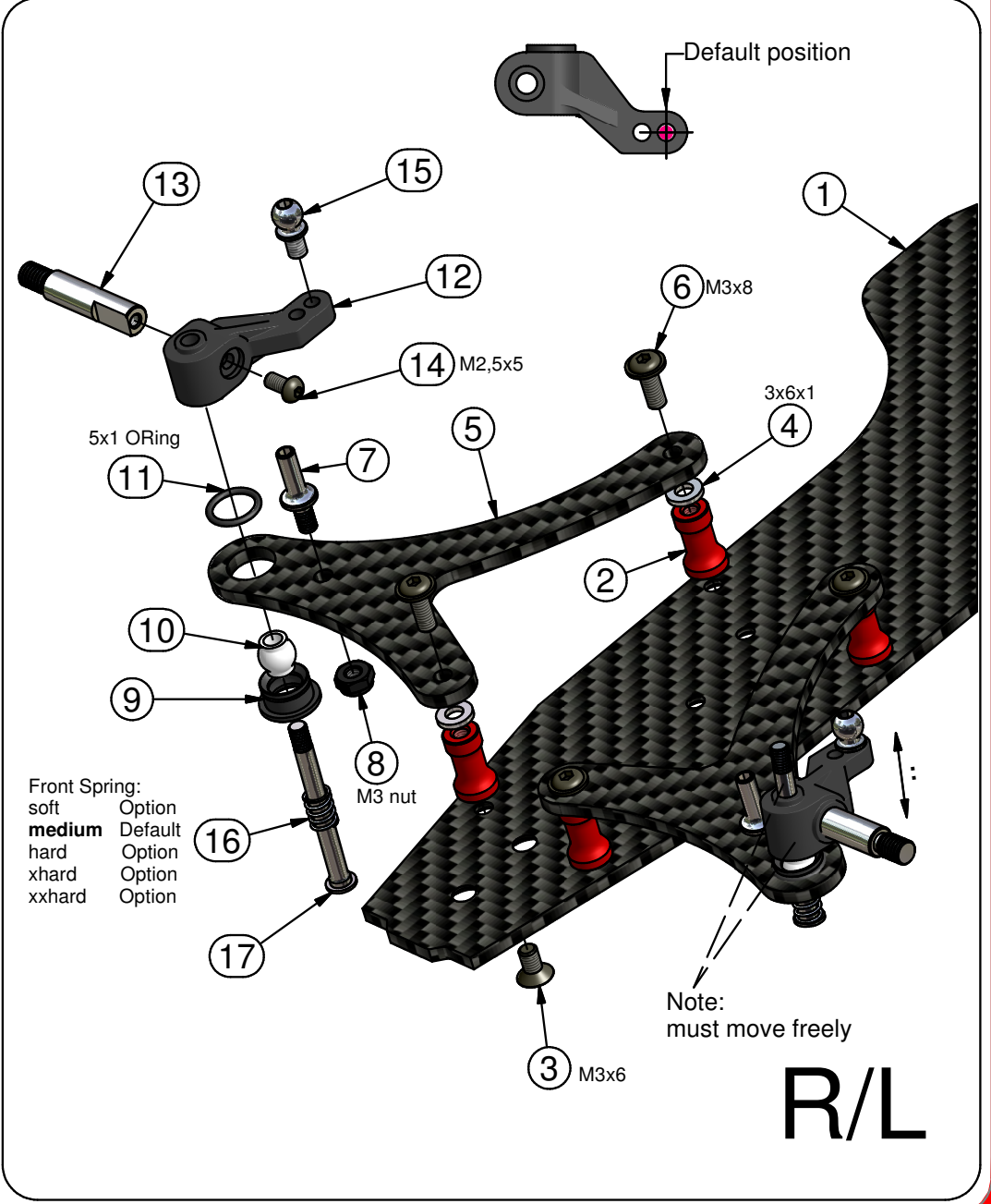
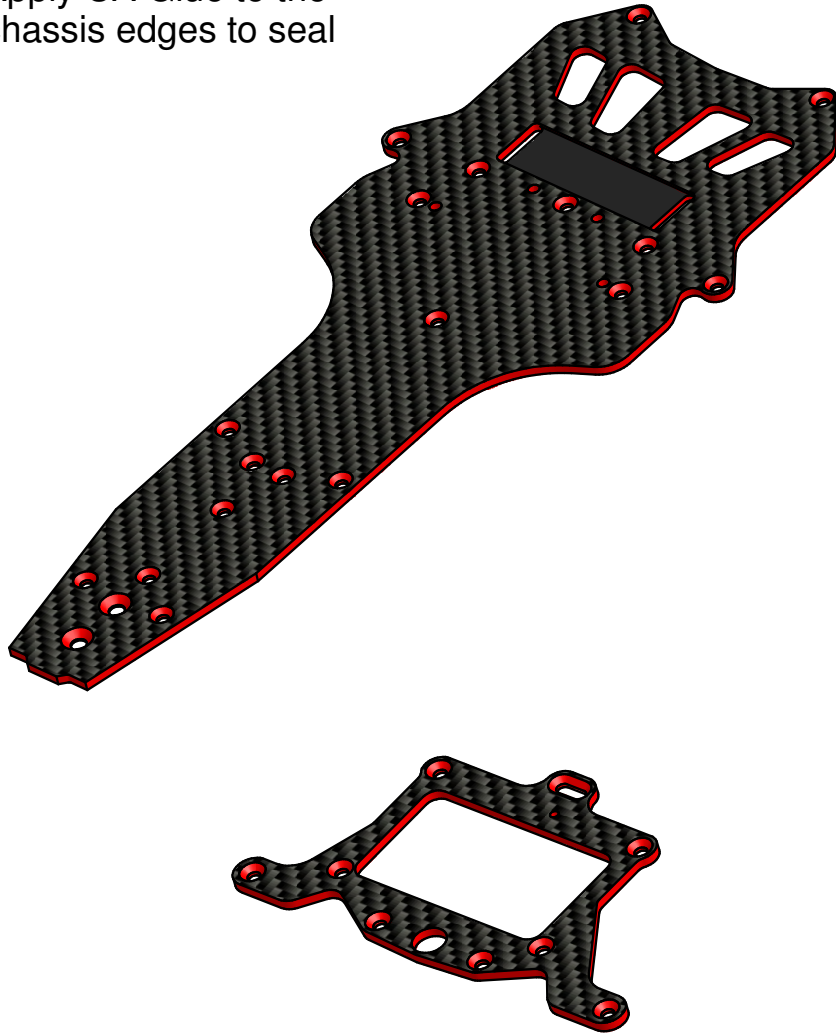
Also required: Tires - F1 Polycarbonat body

Step 1.0

- Front Assembly - BAG 1

Capricorn RC

Note:
Apply CA Glue to the
chassis edges to seal



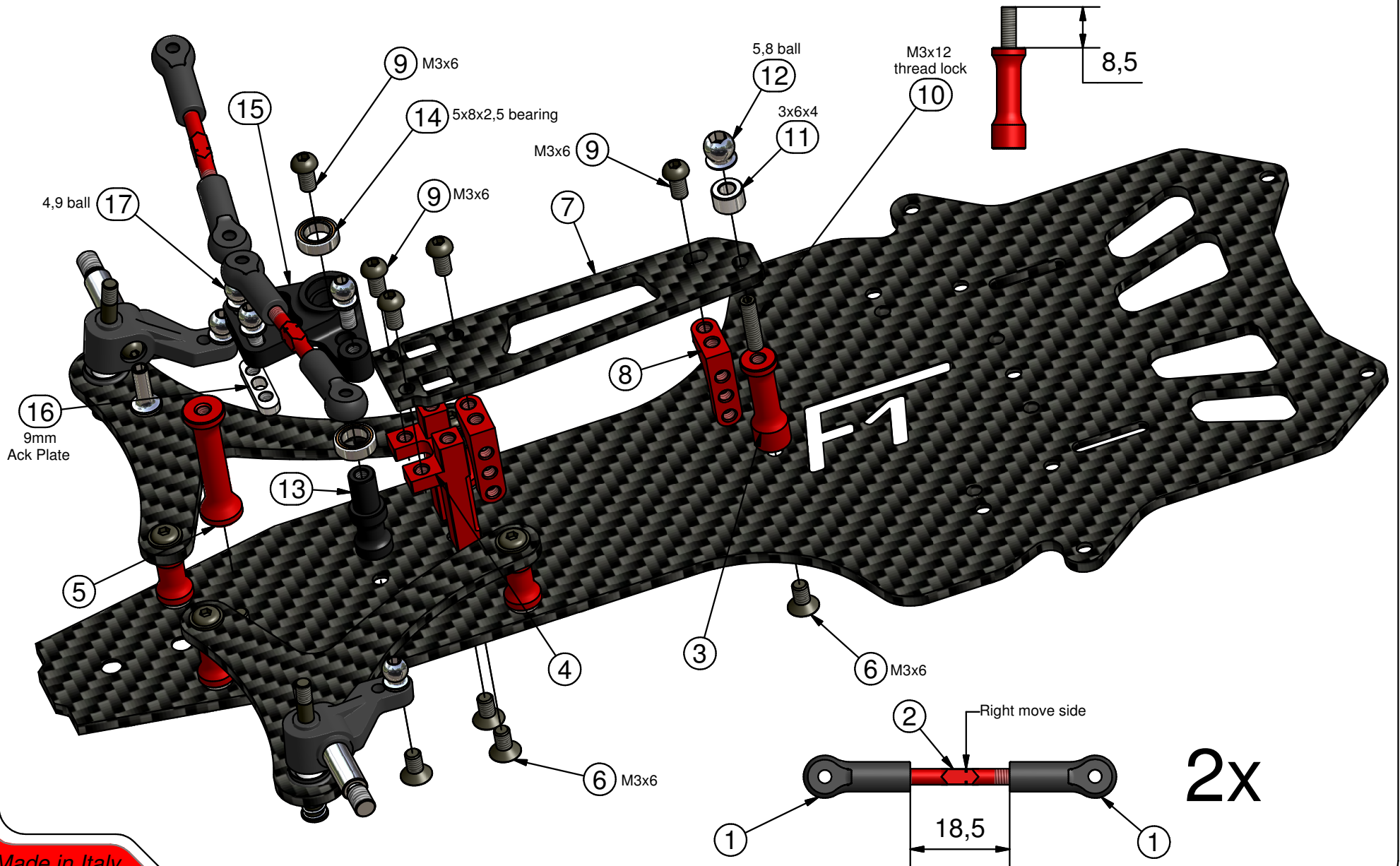
Made in Italy



Step 1.1

- Front Assembly - BAG 1

Capricorn RC



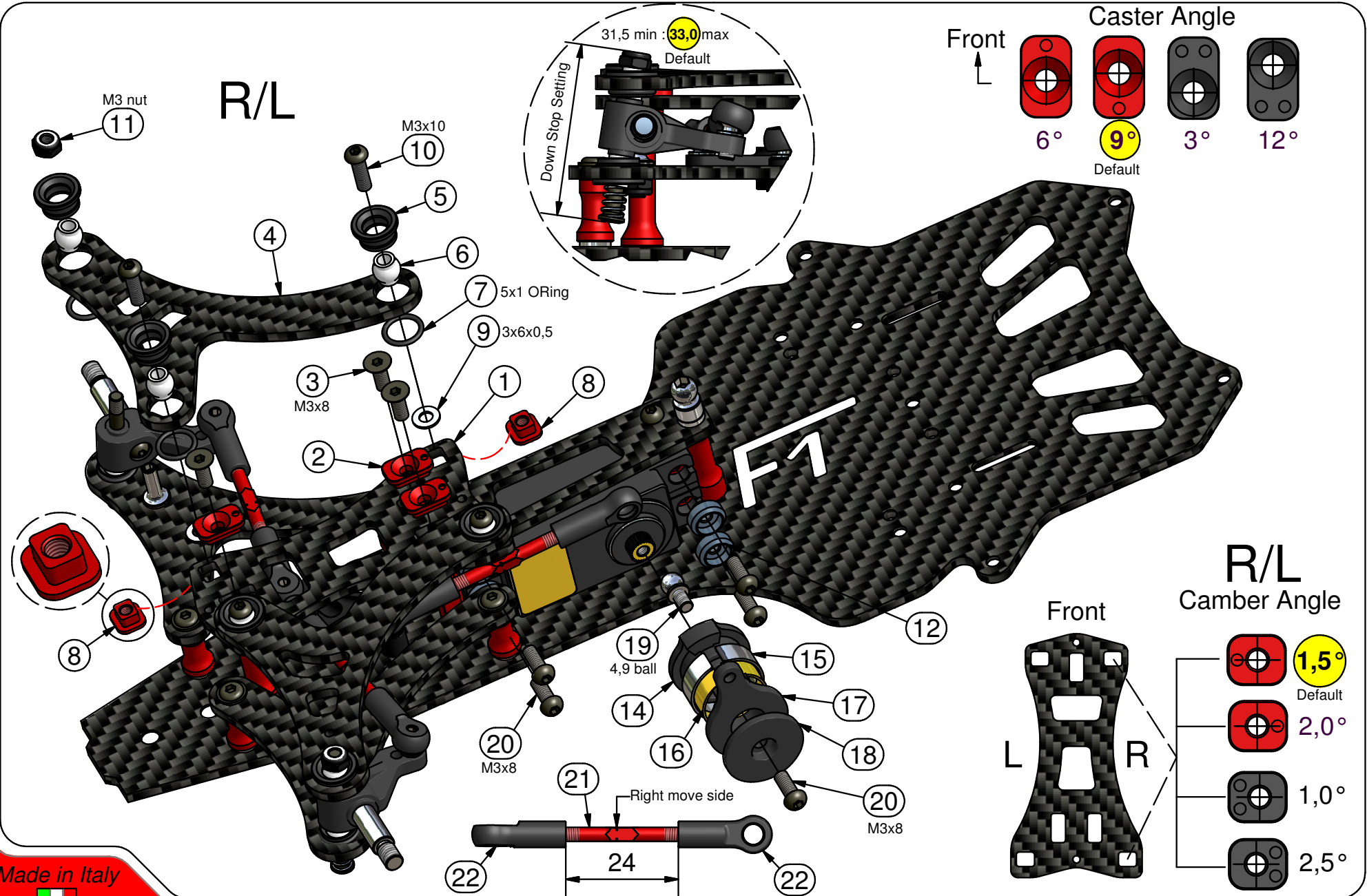
Made in Italy



Step 1.2

- Front Assembly - BAG 1

Capricorn RC



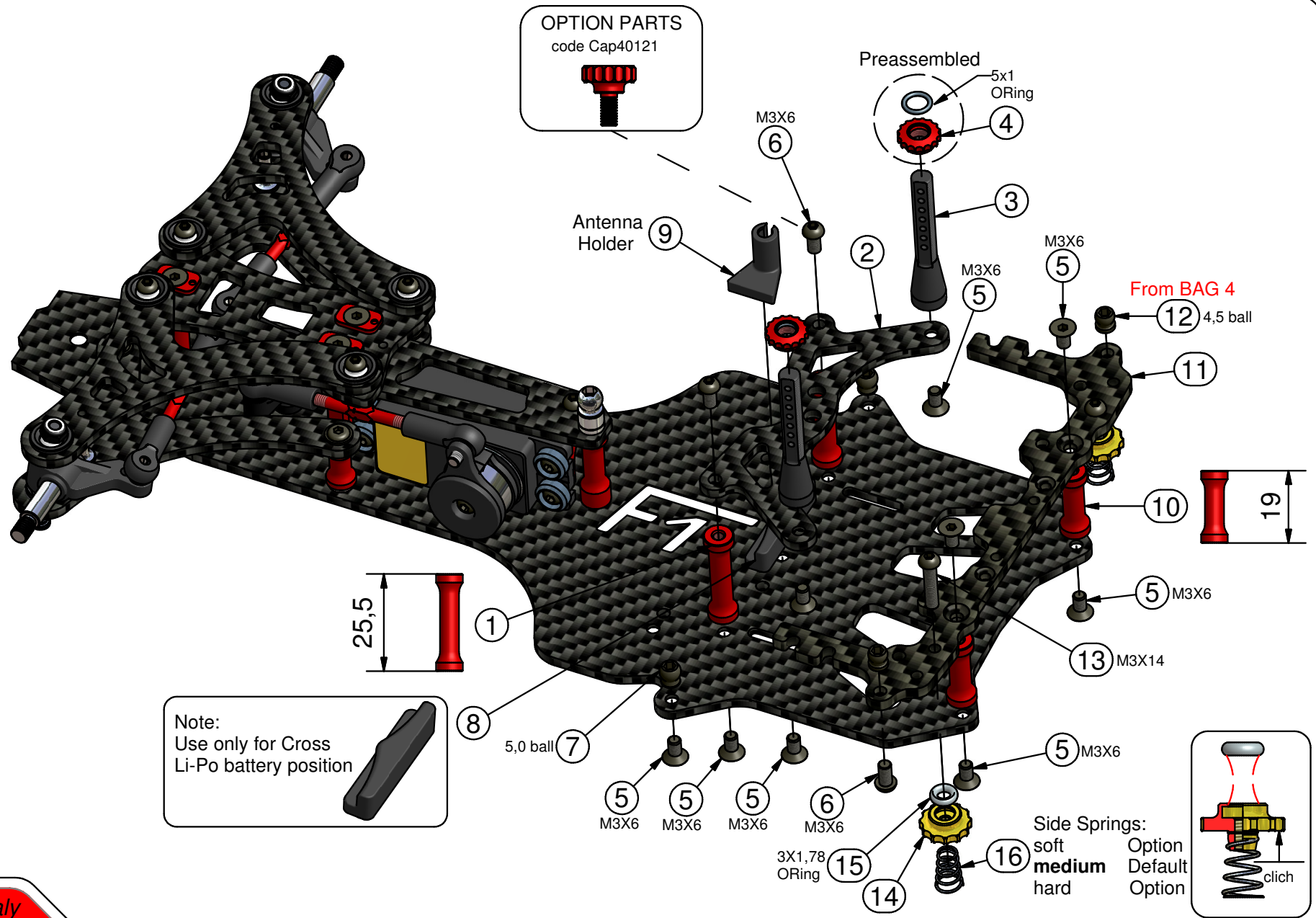
Made in Italy



Step 2.0

- Center Assembly - BAG 2

Capricorn RC



Made in Italy

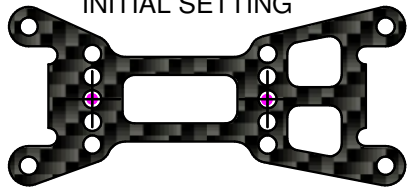


Step 3.0

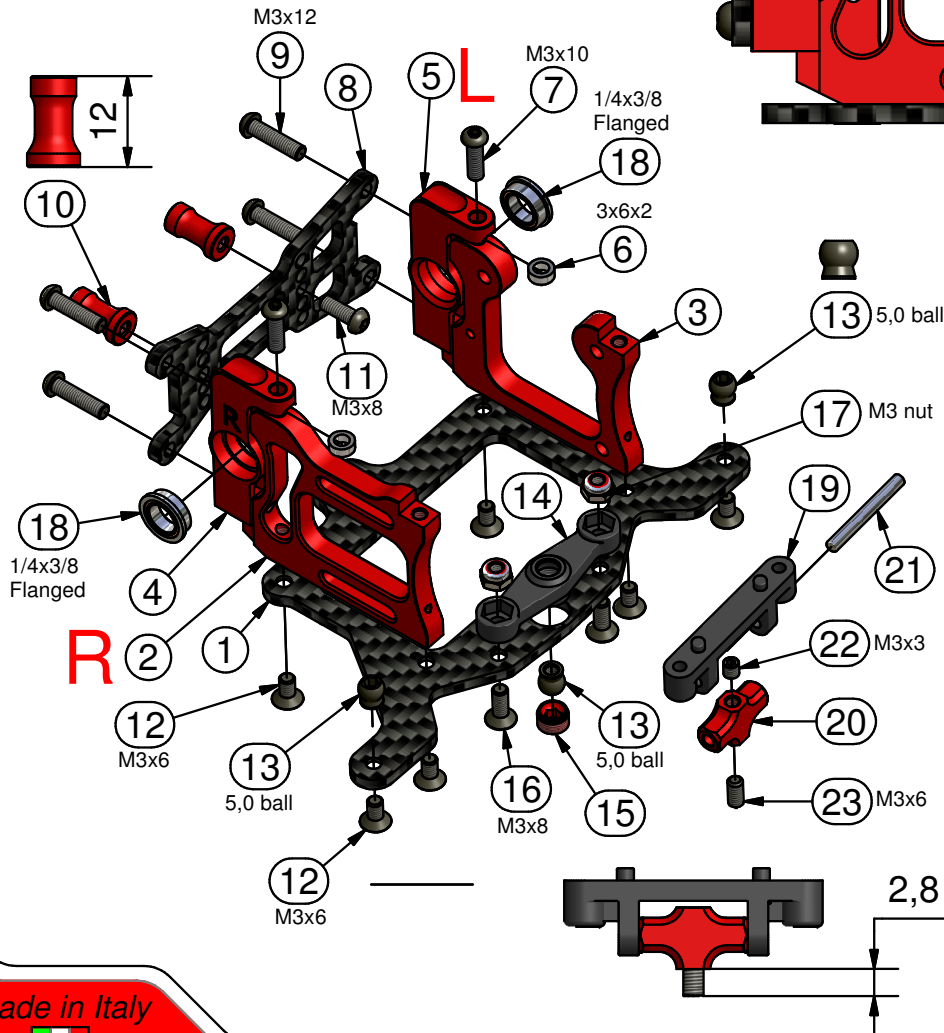
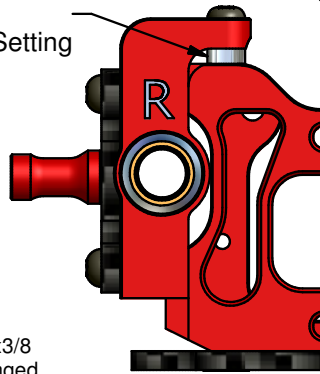
- Rear Assembly - BAG 3

Capricorn RC

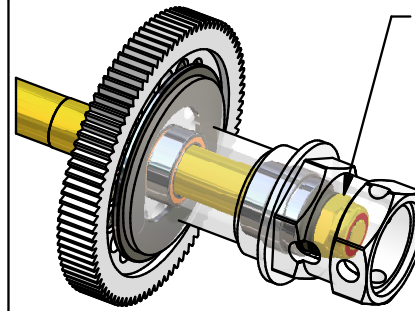
REAR WING
INITIAL SETTING



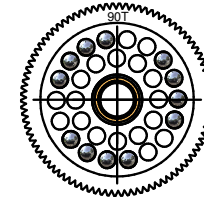
2,0
Default Setting



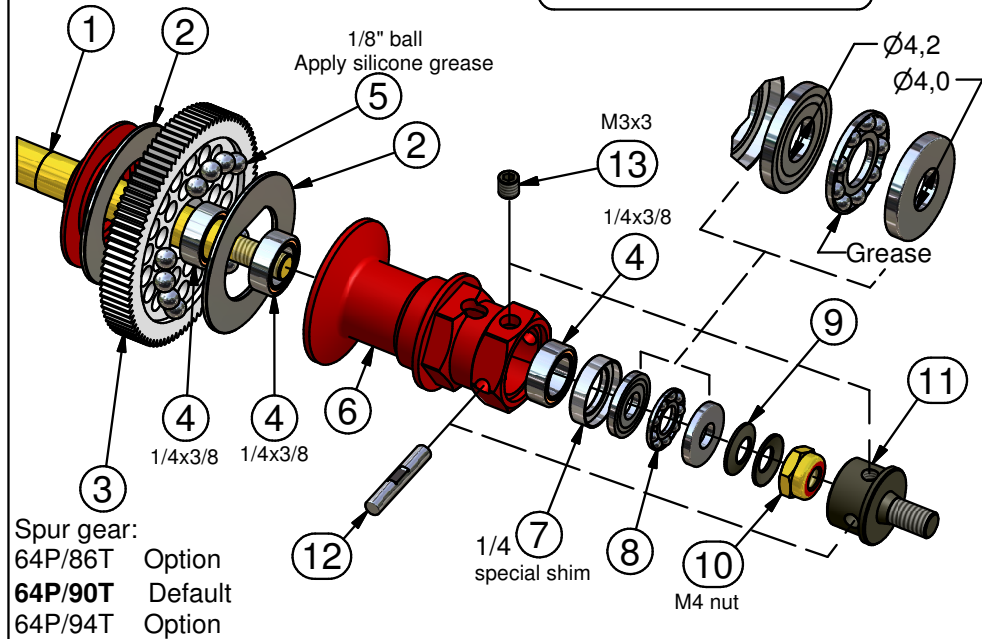
Turn M4 nut clockwise to tighten or anticlockwise to loosen the ball diff



1/8" ball default position

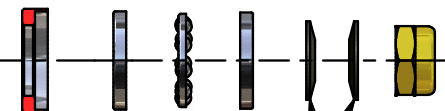


1/8" ball
Apply silicone grease



Spur gear:
64P/86T Option
64P/90T Default
64P/94T Option

Special shim orientation



Note:
Spring washer
orientation

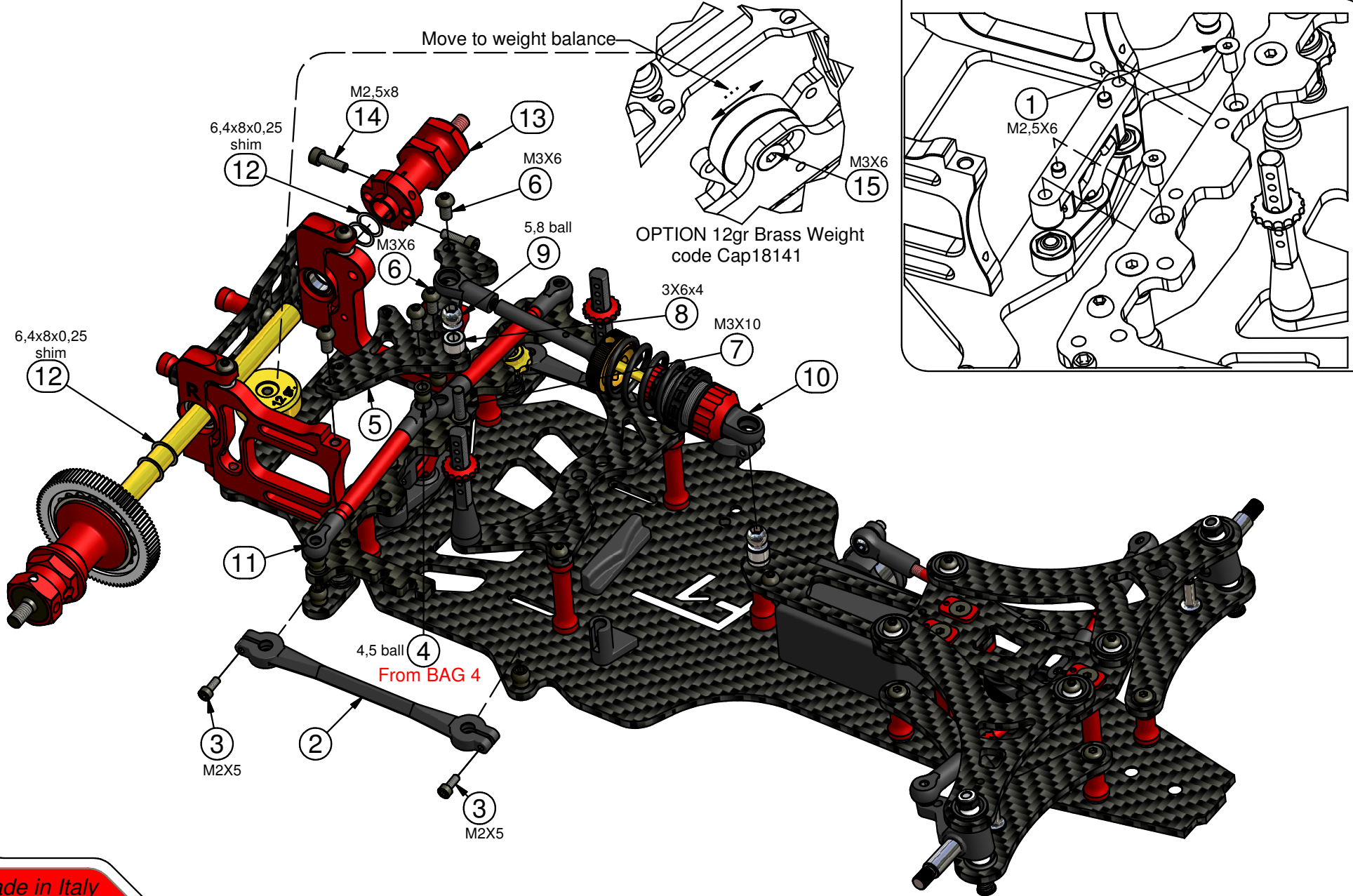
Made in Italy



Step 3.1

- Rear Assembly - BAG 3

Capricorn RC



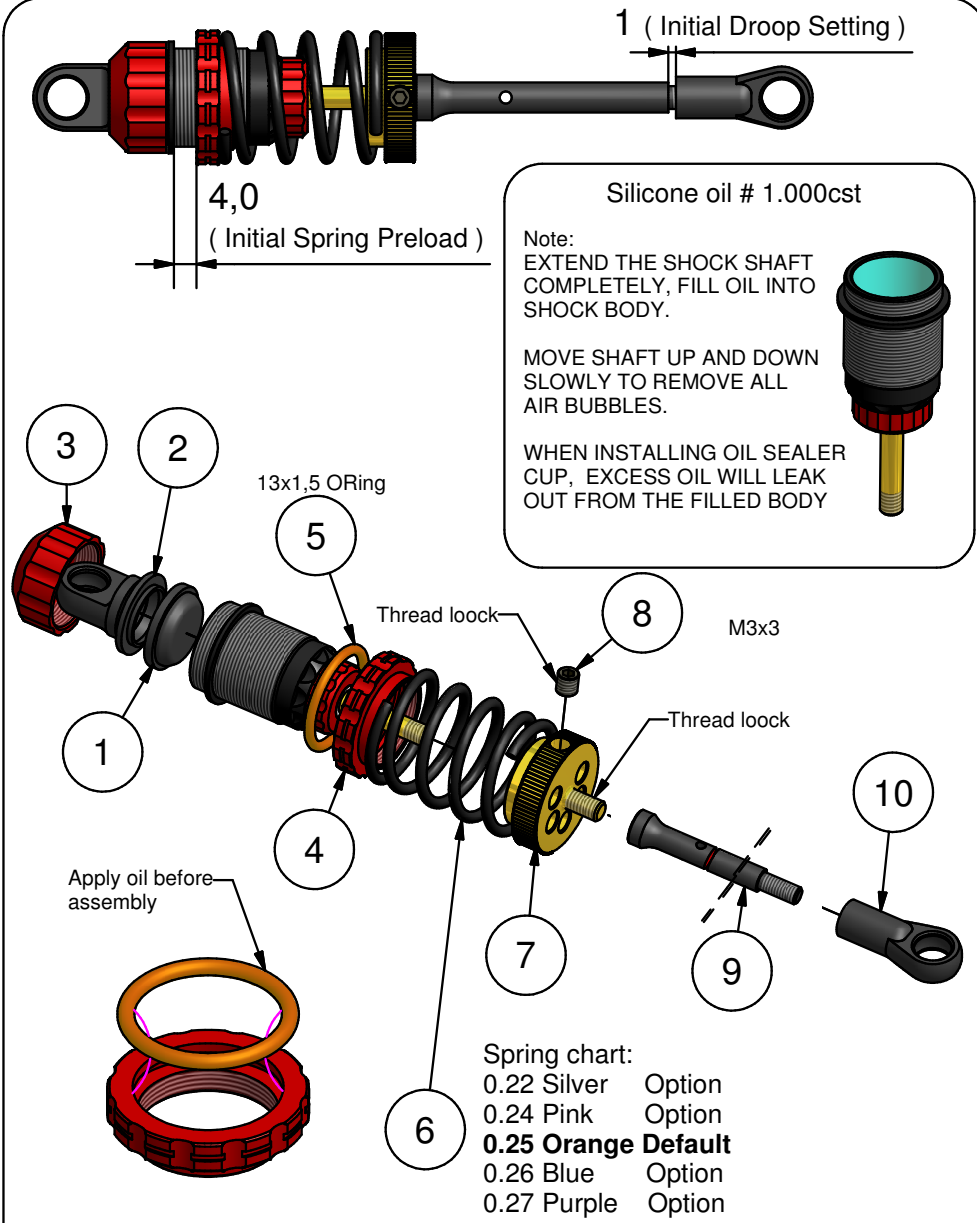
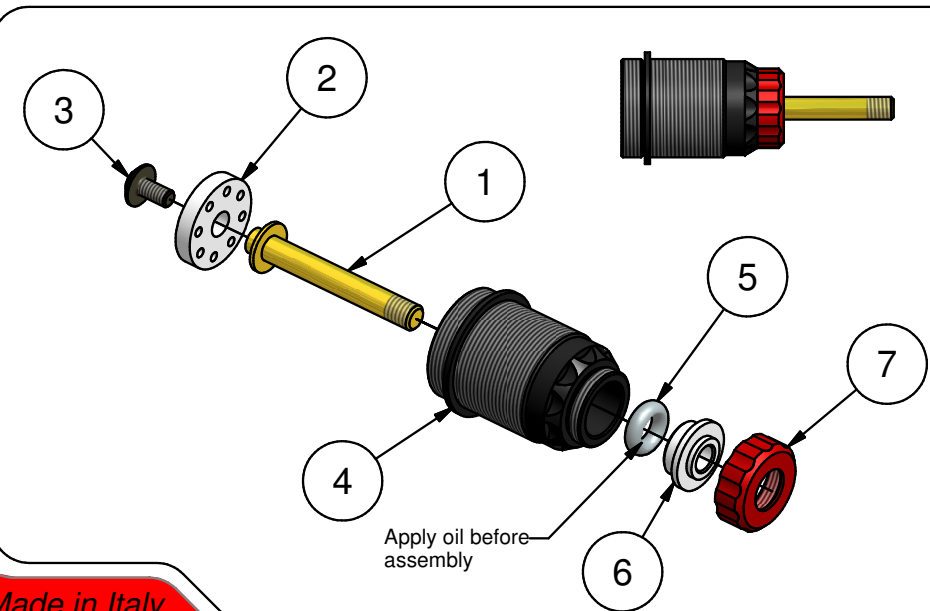
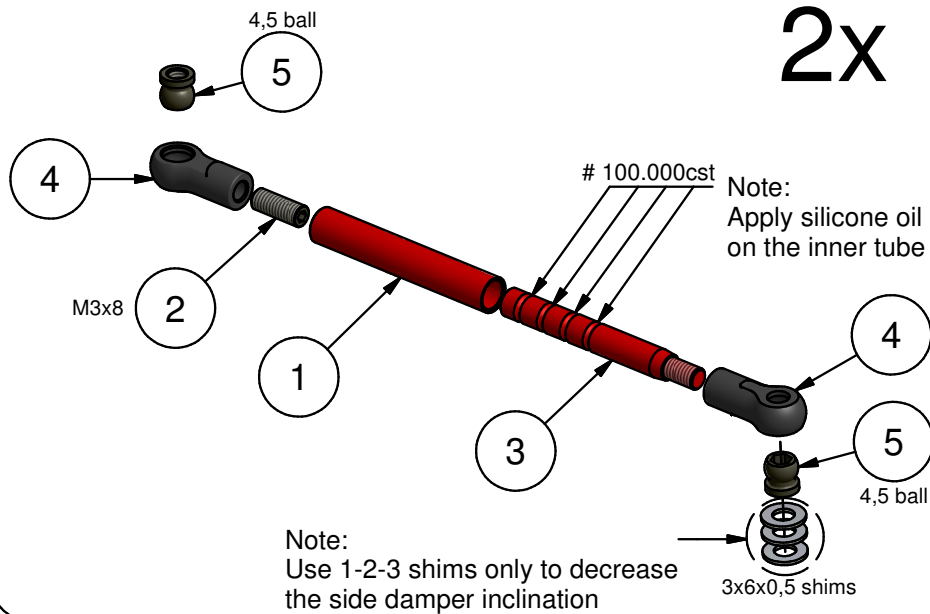
Made in Italy



Step 4.0

- Shocks -
BAG 4

Capricorn RC



Made in Italy

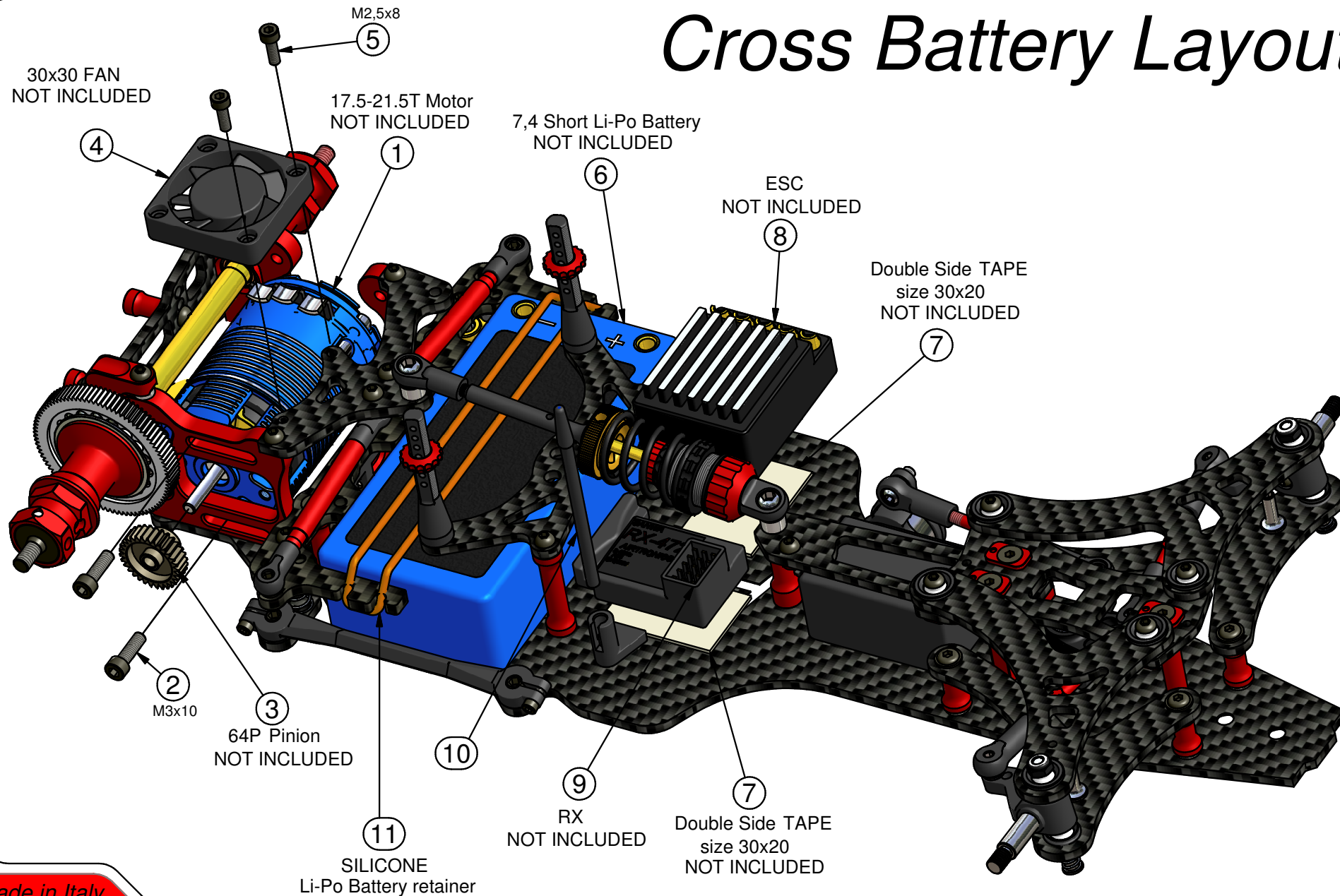


Step 5.0

- Electronics Assembly -
BAG 5

Capricorn RC

Cross Battery Layout



Made in Italy

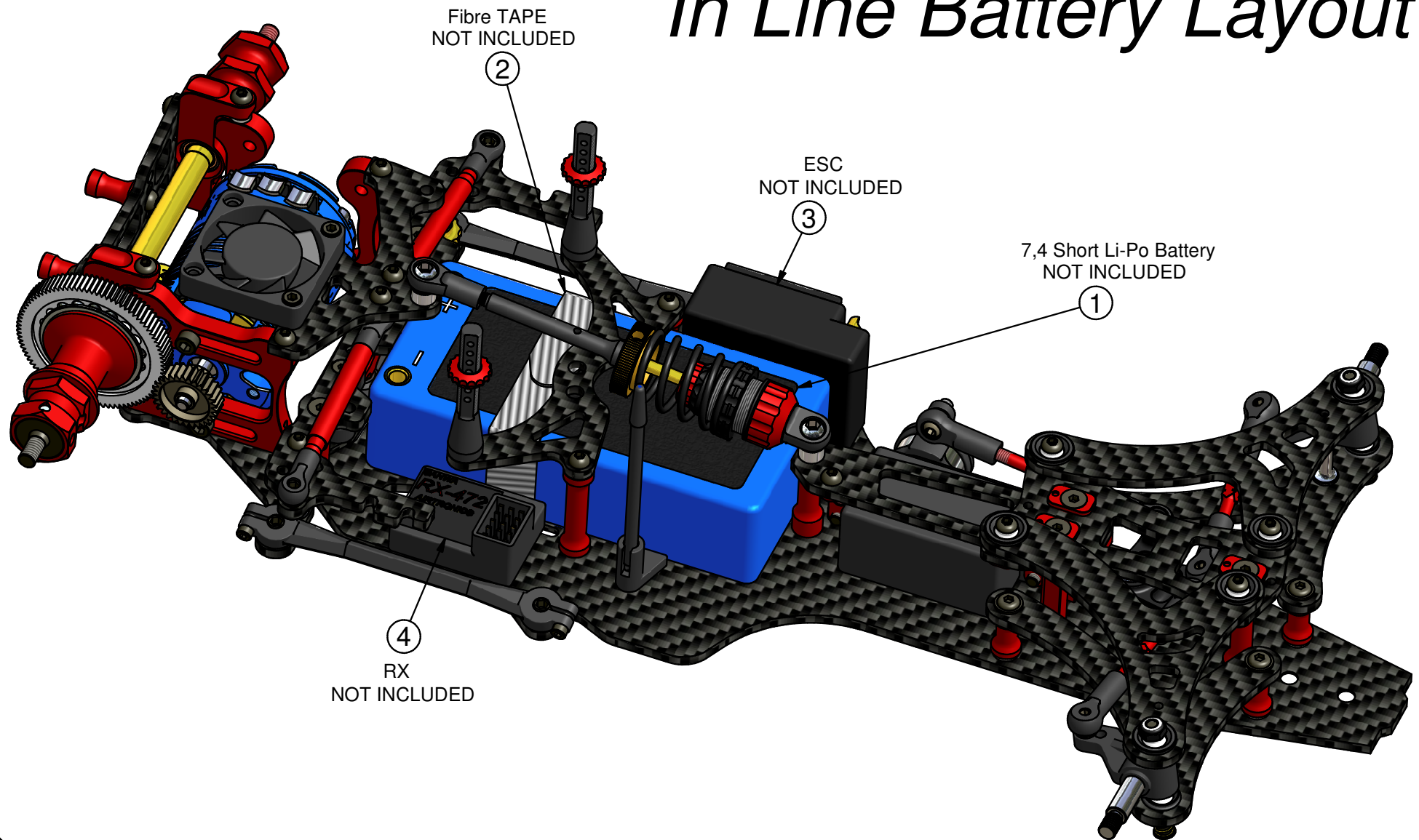


Step 5.1

- Electronics Assembly -
BAG 5

Capricorn RC

In Line Battery Layout



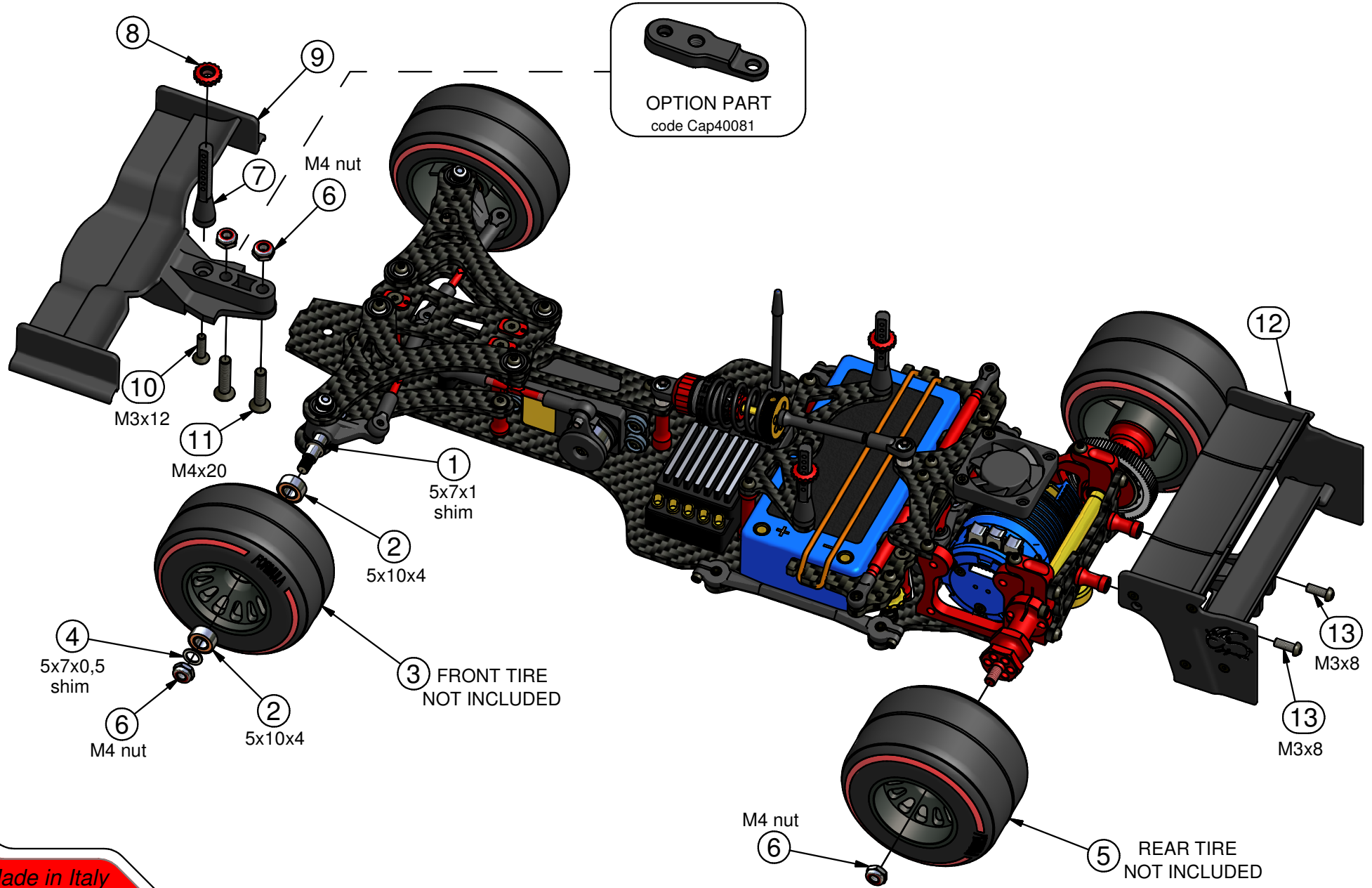
Made in Italy



Step 5.2

- Final Assembly -
BAG 5

Capricorn RC

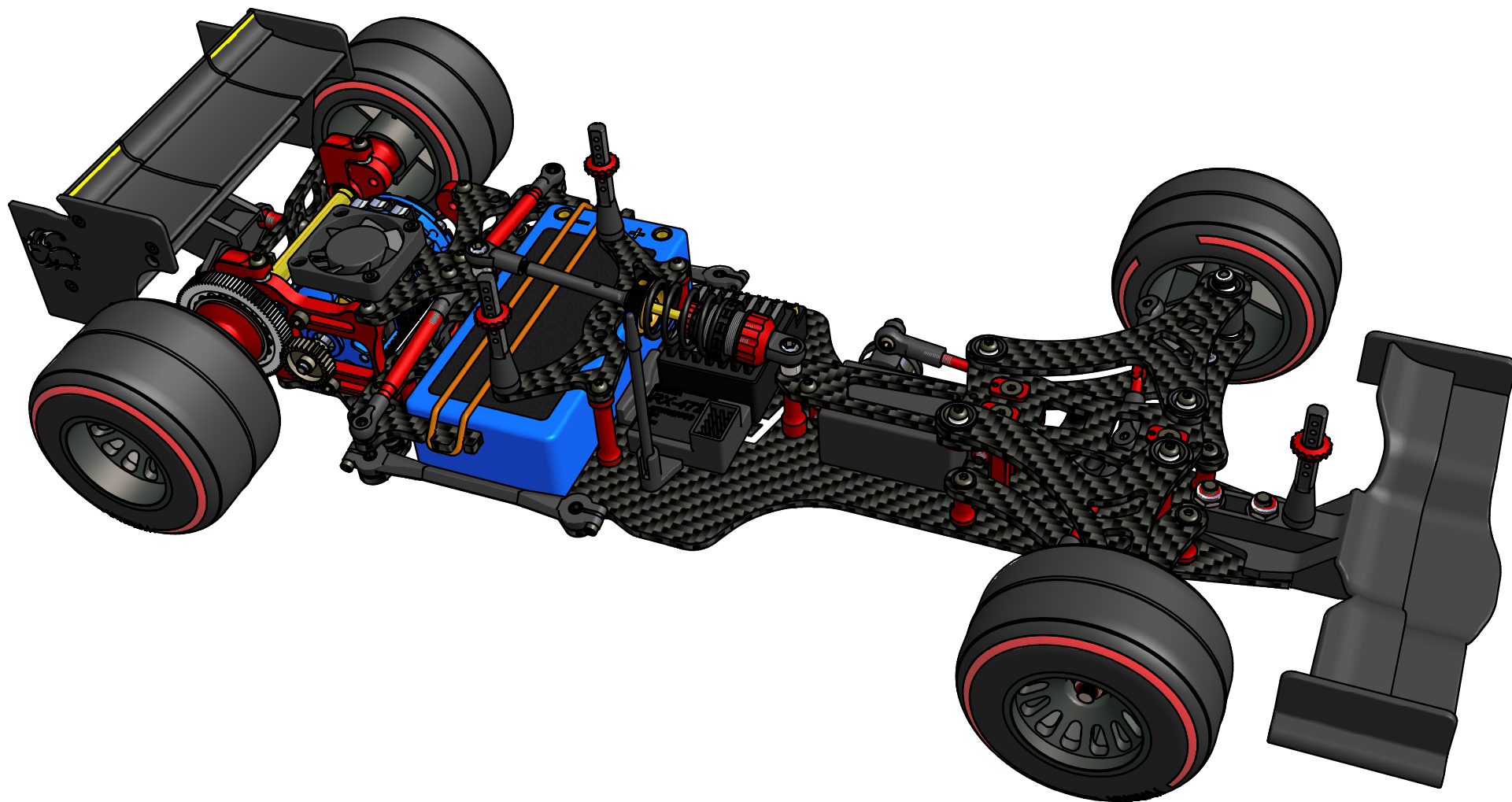


OPTION PART
code Cap40081

Step 5.3

- Final Assembly View -

Capricorn RC



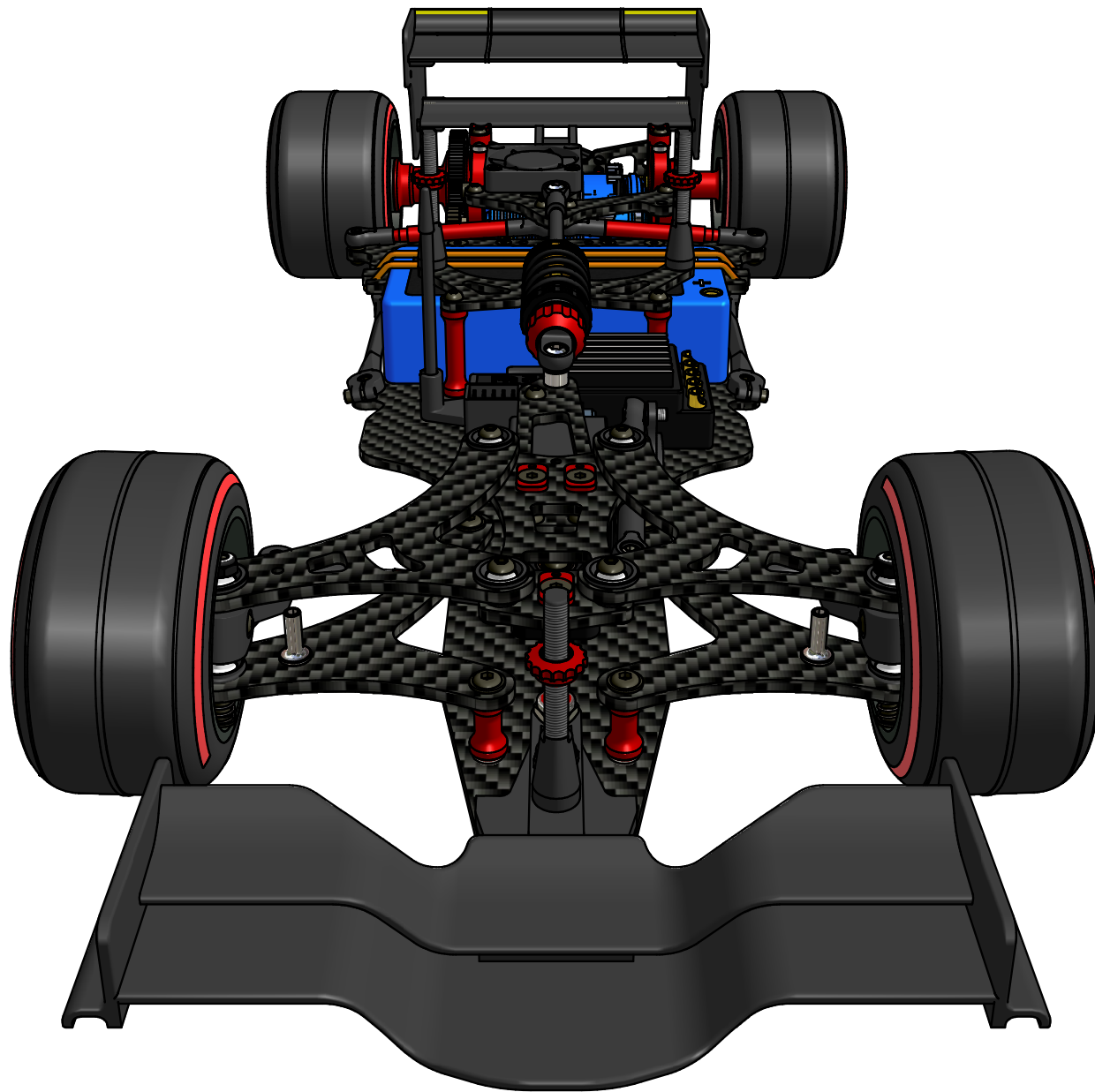
Made in Italy



Step 5.4

- Final Assembly View -

Capricorn RC

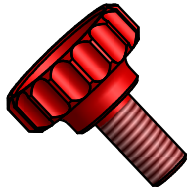


Made in Italy



- Option Parts -

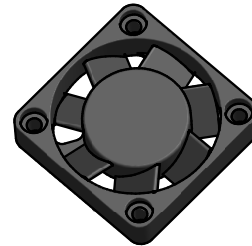
Capricorn RC



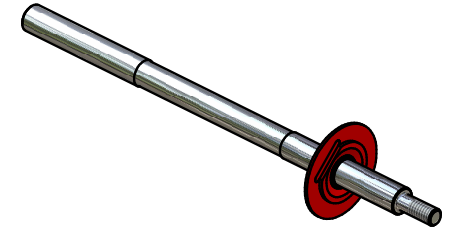
cod. Cap40121



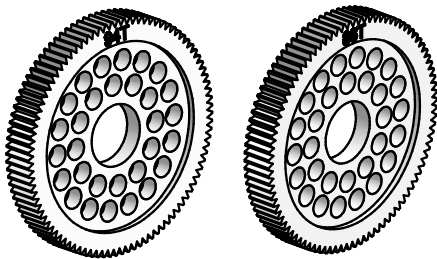
cod. Cap40081



30x30 FAN
cod. Cap40124



cod. Cap40079



cod. Cap40057-94 cod. Cap40057-86



cod. Cap18141

	SOFT	HARD
2x	2x	
cod. Cap40033-S	cod. Cap40033-H	

	XHARD	XXHARD
2x	2x	
cod. Cap40431	cod. Cap40432	

SOFT	HARD
2x	2x
cod. Cap40071-S	cod. Cap40071-H

	SOFT	
	0,22	Cap29176
	0,24	Cap29175
	0,25	Cap18106
	0,26	Cap29174
	0,27	Cap18107
	HARD	

M3 Aluminium screws

	M3x5mm	cod. One29276
	M3x6mm	cod. One29277
	M3x8mm	cod. One29278
	M3x10mm	cod. One29279

M3 Aluminium screws

	M3x4mm	cod. One29266
	M3x5mm	cod. One29267
	M3x6mm	cod. One29268
	M3x8mm	cod. One29269
	M3x10mm	cod. One29270
	M3x12mm	cod. One29271
	M3x14mm	cod. One29272
	M3x16mm	cod. One29273

Made in Italy



F1-02 DEFAULT SET-UP SHEET

Capricorn RC

RACE	<input type="text"/>	DATE	<input type="text"/>
TRACK	<input type="text"/>	QUALIFYING POSITION	<input type="text"/>
NAME	<input type="text"/>	BEST LAP	<input type="text"/> /sec
CITY/ COUNTRY	<input type="text"/>	RACE POSITION	<input type="text"/>
CONTACT	<input type="text"/>	RACE LENGTH	<input type="text"/> /min

TRACK SURFACE	<input type="checkbox"/> CARPET	<input checked="" type="checkbox"/> ASPHALT	
TRACK LAYOUT	<input type="checkbox"/> TECHNICAL	<input checked="" type="checkbox"/> MIXED	<input type="checkbox"/> FAST
TRACTION	<input type="checkbox"/> LOW	<input checked="" type="checkbox"/> MEDIUM	<input type="checkbox"/> HIGH

CENTER SHOCK ABSORBER				SIDE SHOCK	
<input type="checkbox"/> ORANGE SPRING	<input type="text" value="8"/> HOLE	<input type="text" value="1.000"/> OIL /CST	<input type="text" value="30"/> REBOUND %	<input type="text" value="100.000"/> OIL /CST	

FRONT	TIRES	REAR
<input type="text"/>	<input type="text"/>	<input type="text"/>
<input type="text"/>	ADDITIVE	<input type="text"/>
<input type="text"/>	ADD. TIMING	<input type="text"/>

<input type="checkbox"/>	ADDITIVE TREATED AREA	<input type="checkbox"/>
--------------------------	-----------------------	--------------------------

DIFF. SETTING

LOOSE MEDIUM TIGHT

GEARING

PINION /T SPUR GEAR /T DRIVE RATIO

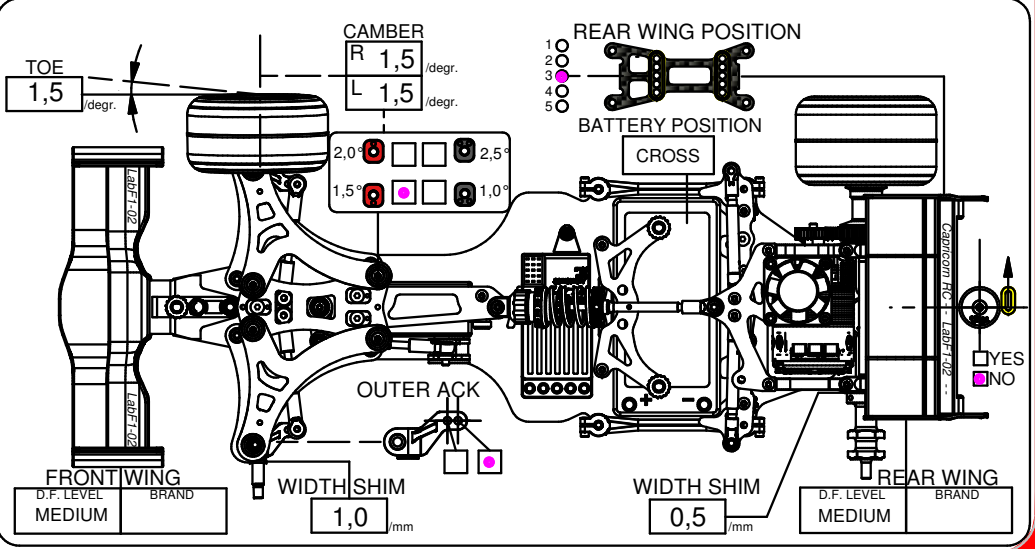
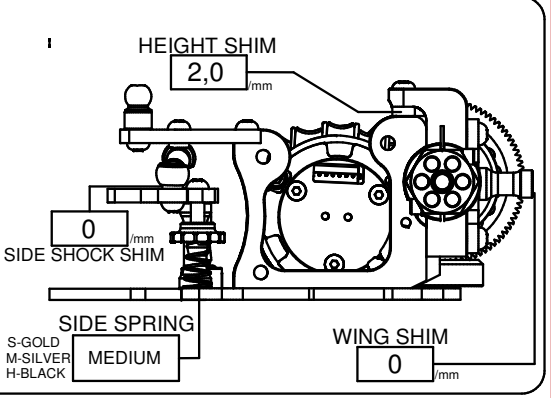
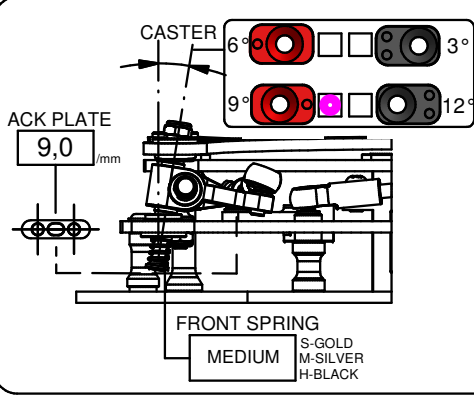
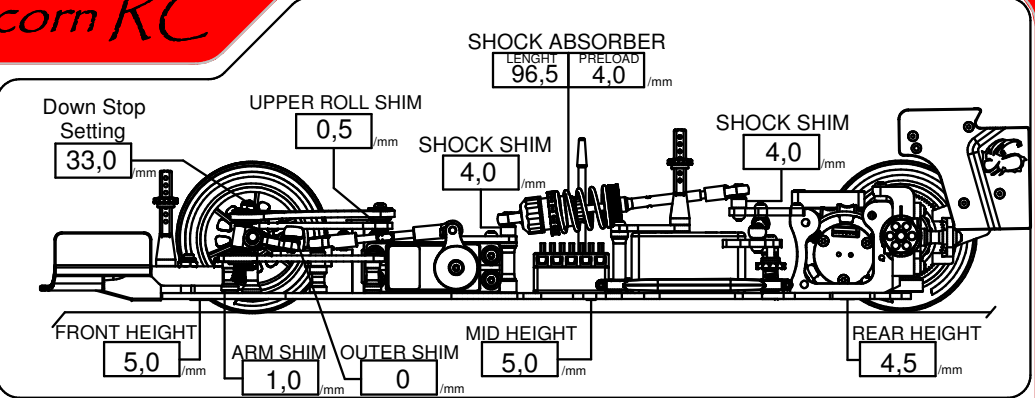
MOTOR: 21,5T BRUSHLESS

ESC: 80A

BATTERY: Li-Po 2S Shorty

BODY:

- NOTES -



Made in Italy

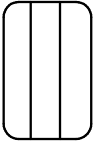
F1-02 BLANK SET-UP SHEET

Capricorn RC

RACE	<input type="text"/>	DATE	<input type="text"/>
TRACK	<input type="text"/>	QUALIFYING POSITION	<input type="text"/>
NAME	<input type="text"/>	BEST LAP	<input type="text"/> /sec
CITY/ COUNTRY	<input type="text"/>	RACE POSITION	<input type="text"/>
CONTACT	<input type="text"/>	RACE LENGTH	<input type="text"/> /min

TRACK SURFACE	<input type="checkbox"/> CARPET	<input type="checkbox"/> ASPHALT	
TRACK LAYOUT	<input type="checkbox"/> TECHNICAL	<input type="checkbox"/> MIXED	<input type="checkbox"/> FAST
TRACTION	<input type="checkbox"/> LOW	<input type="checkbox"/> MEDIUM	<input type="checkbox"/> HIGH

CENTER SHOCK ABSORBER				SIDE SHOCK	
<input type="text"/> SPRING	<input type="text"/> HOLE	<input type="text"/> OIL /CST	<input type="text"/> REBOUND /%	<input type="text"/> OIL /CST	

FRONT	TIRES	REAR
<input type="text"/>	<input type="text"/>	<input type="text"/>
<input type="text"/>	ADDITIVE	<input type="text"/>
<input type="text"/>	ADD. TIMING	<input type="text"/>
 ADDITIVE TREATED AREA		

DIFF. SETTING

LOOSE MEDIUM TIGHT

GEARING

/T PINION /T SPUR GEAR DRIVE RATIO

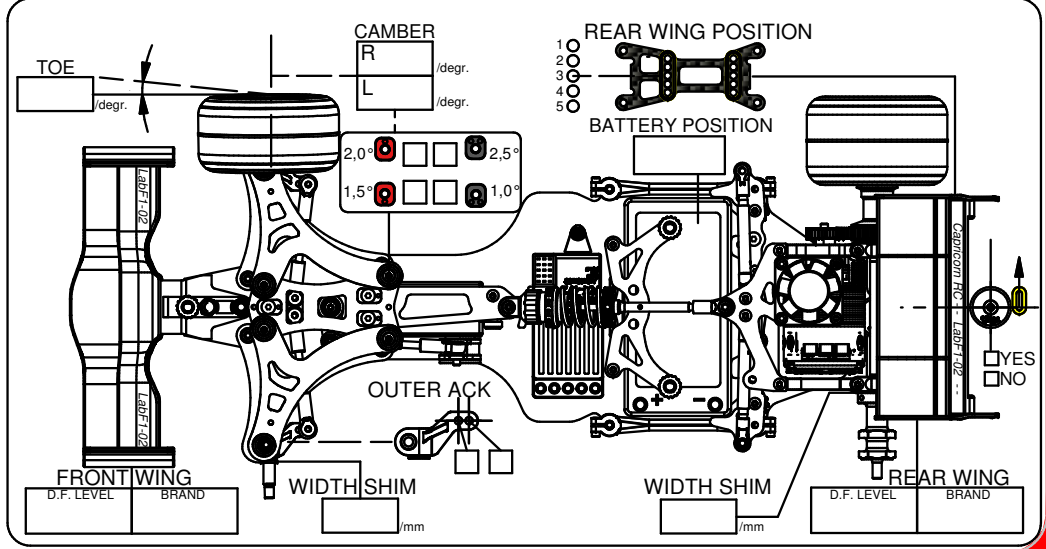
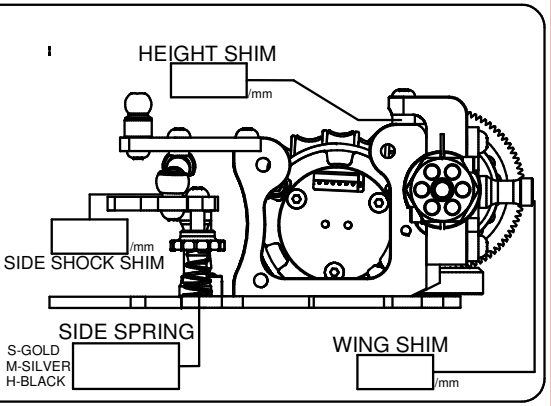
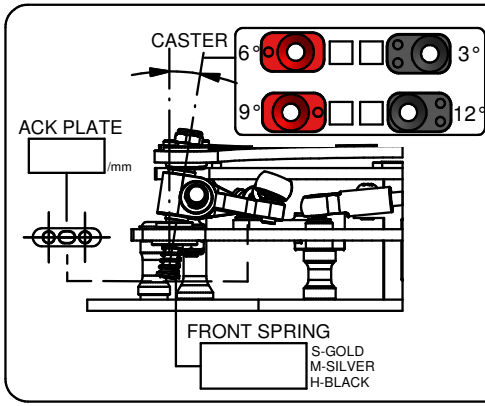
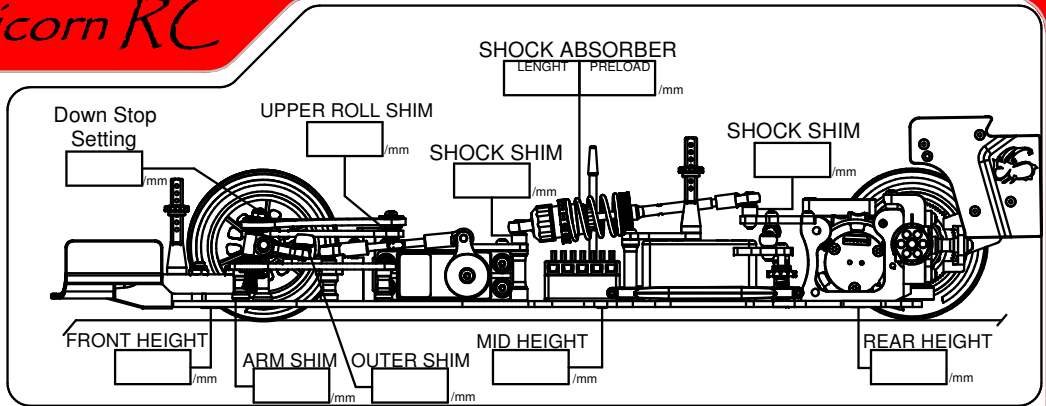
MOTOR

ESC

BATTERY

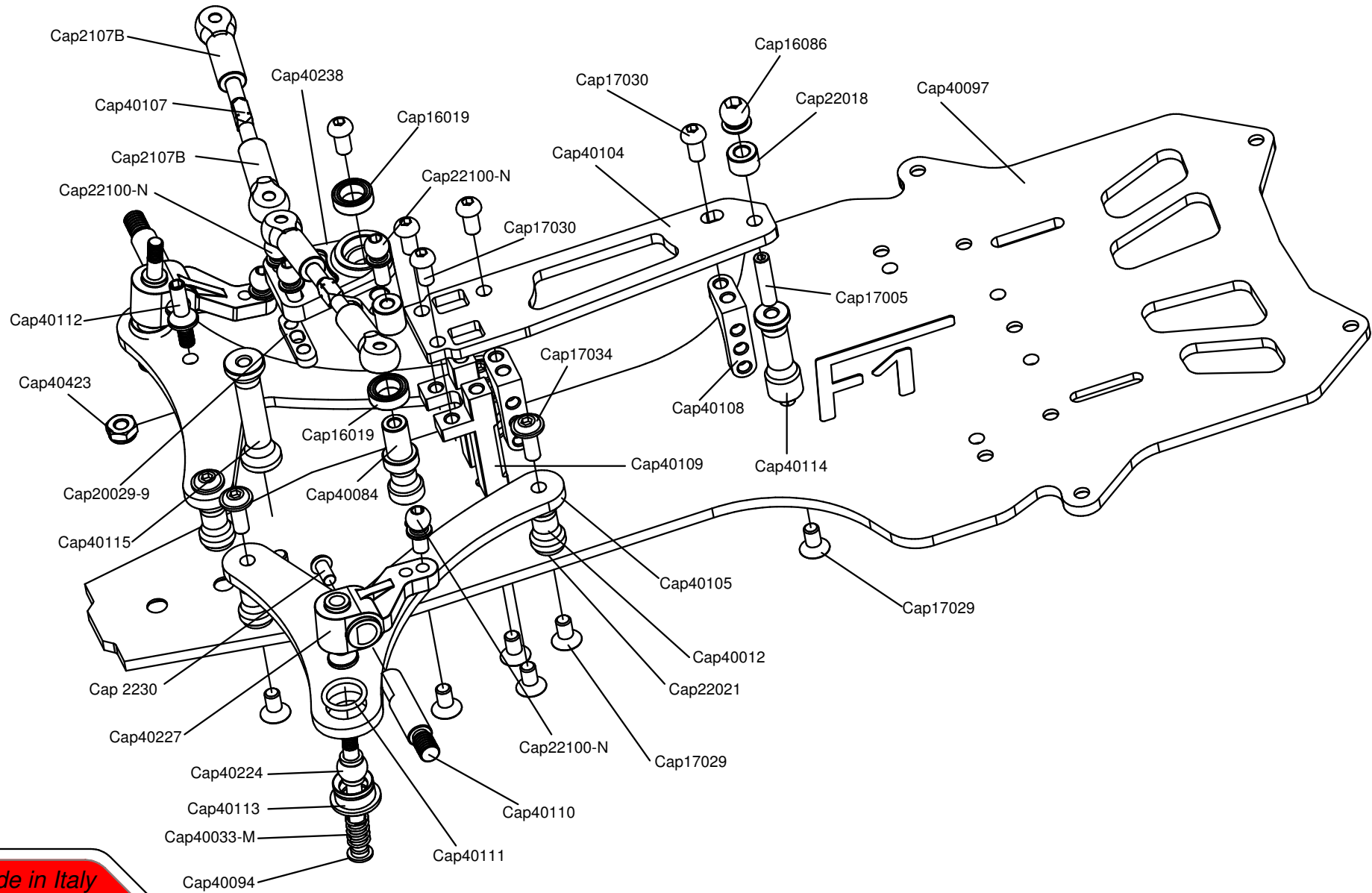
BODY

- NOTES -



- Front exploded **A** -

Capricorn RC

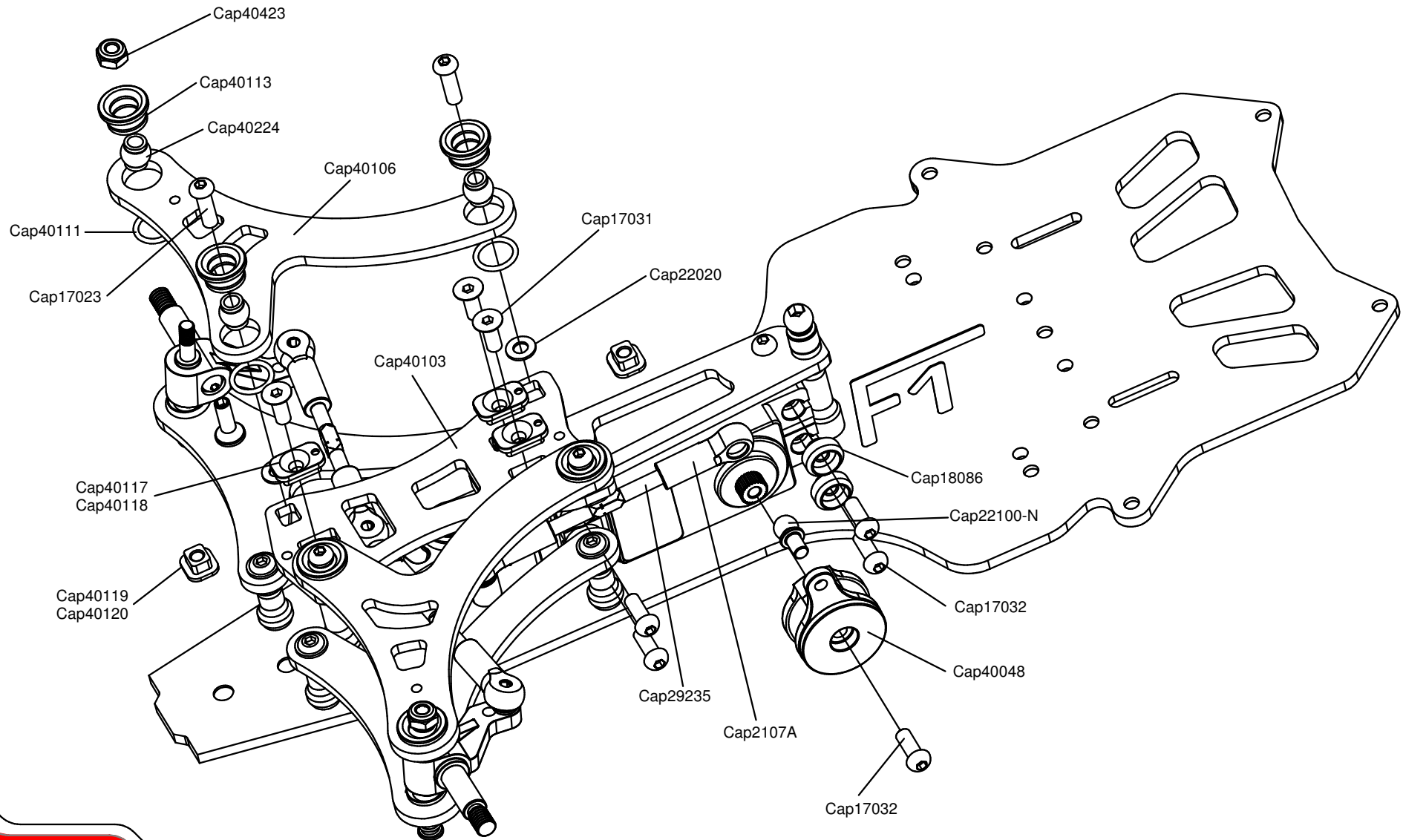


Made in Italy



- Front exploded **B** -

Capricorn RC

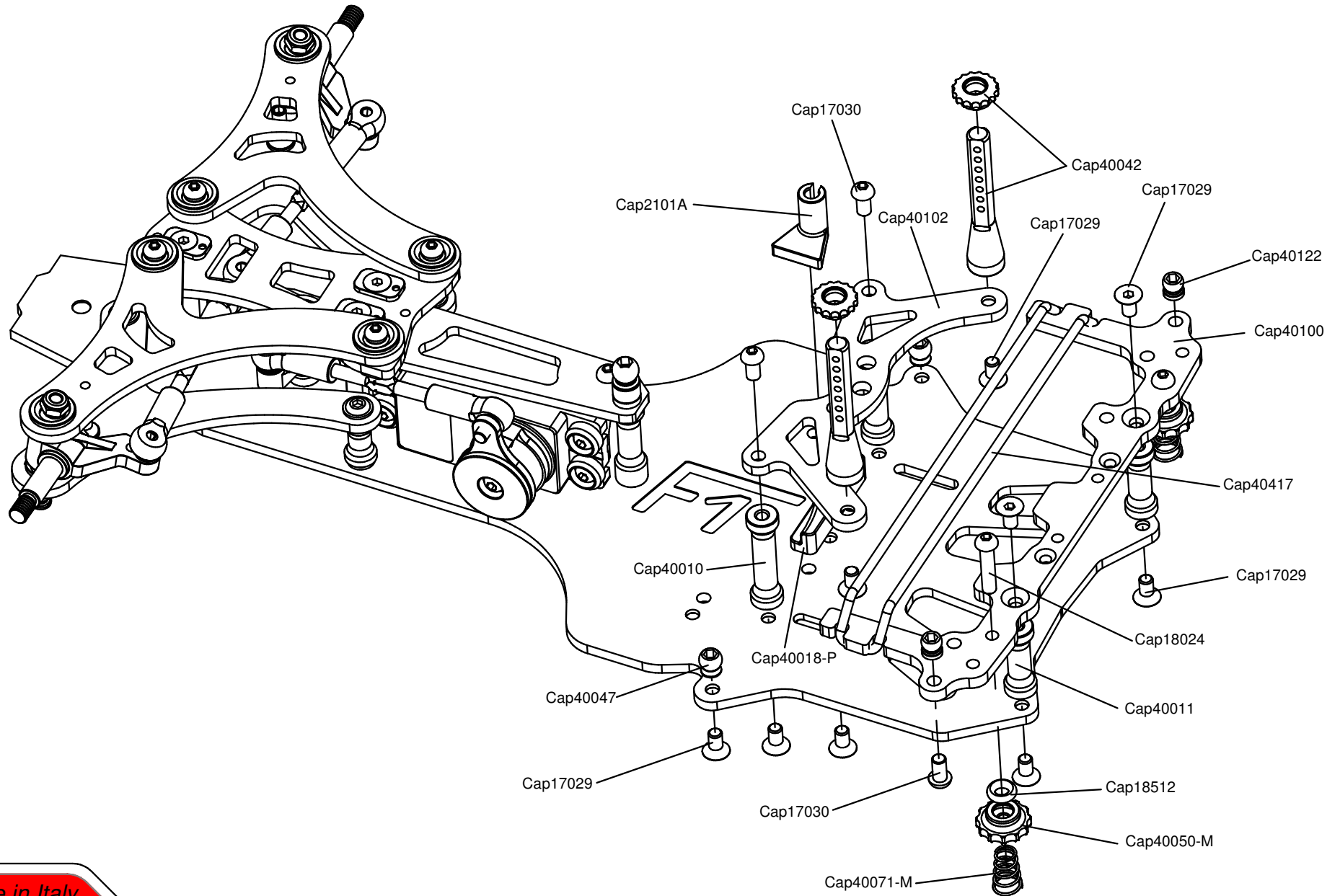


Made in Italy



- Central exploded -

Capricorn RC

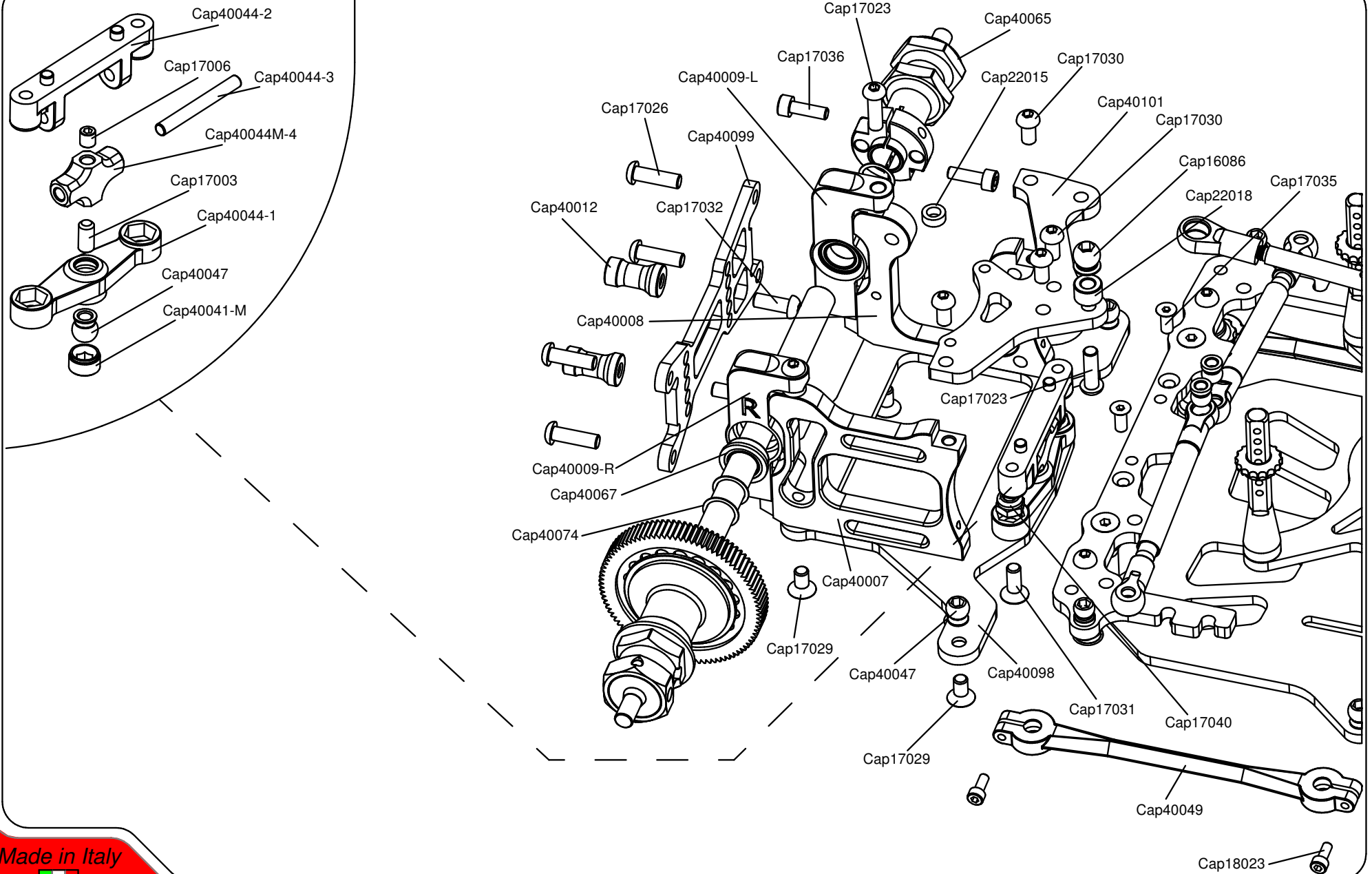


Made in Italy



- Rear exploded -

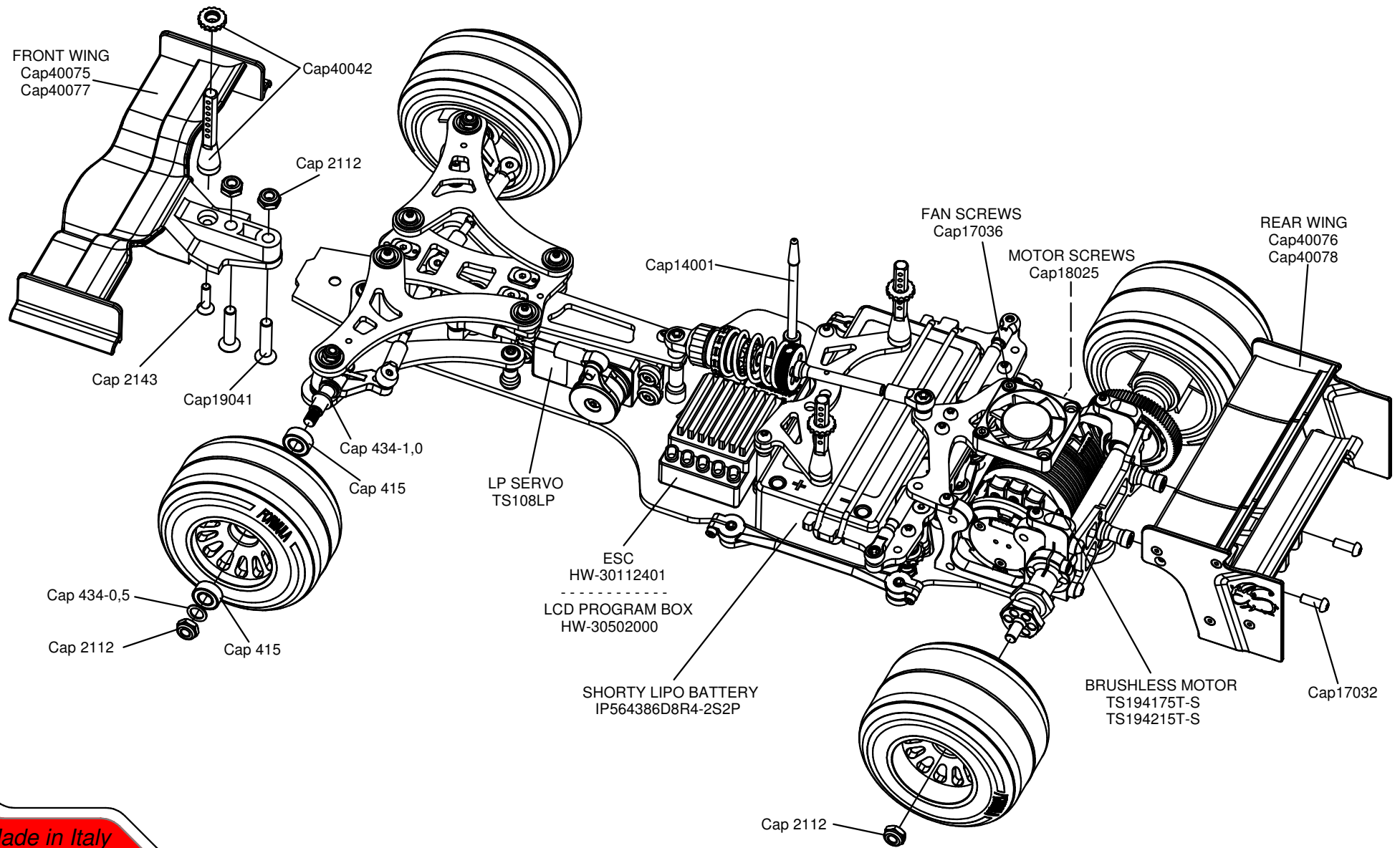
Capricorn RC



Made in Italy



- Wings and Tires exploded - *Capricorn RC*



Made in Italy

