

- Exploded **F** -  
Electronic Equipment

*Capricorn RC*

**BRUSHLESS MOTOR**

1900KV HW30101901  
2200KV HW30401903  
2600KV HW30401902

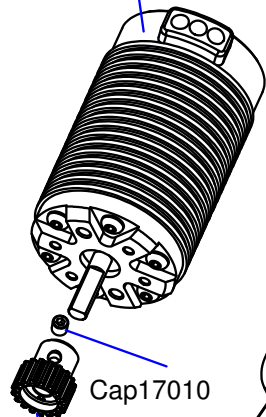
**FAN SCREWS**  
Cap17026

**40X40 FAN**  
WTF-4010

**4S LIPO BATTERY**  
IP9243128D8R9-4S1P  
-----  
IP5043128D8R9-4S2P

Cap14001

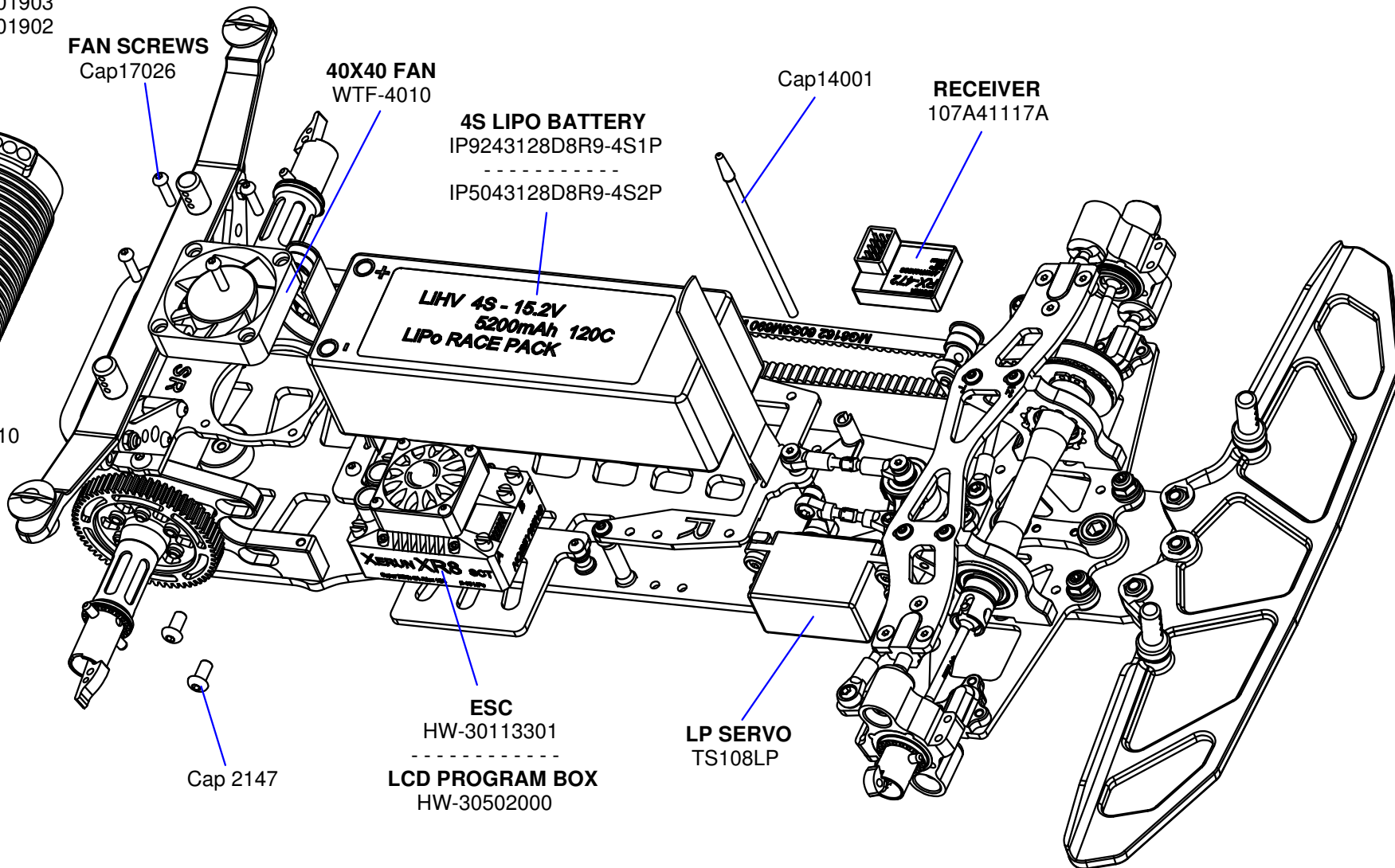
**RECEIVER**  
107A41117A



Cap17010

**PINION**

Cap 2542  
Cap 2543  
Cap 2544



Cap 2147

**ESC**  
HW-30113301  
-----  
**LCD PROGRAM BOX**  
HW-30502000

**LP SERVO**  
TS108LP

Made in Italy

